



US00D503198S

(12) **United States Design Patent**  
**Rehkemper et al.**

(10) **Patent No.: US D503,198 S**  
(45) **Date of Patent: \*\* Mar. 22, 2005**

(54) **TOY HELICOPTER**

(75) Inventors: **Jeffrey Rehkemper**, Chicago, IL (US);  
**Charles Hartlaub**, Glendale Heights,  
IL (US); **Keith Johnson**, Hudson, WI  
(US)

(73) Assignee: **Rehco, LLC**, Chicago, IL (US)

(\*\*) Term: **14 Years**

(21) Appl. No.: **29/187,073**

(22) Filed: **Jul. 24, 2003**

**Related U.S. Application Data**

(63) Continuation-in-part of application No. 10/189,681, filed on  
Jul. 8, 2002, now Pat. No. 6,659,395, and a continuation-  
in-part of application No. 29/158,996, filed on Apr. 15, 2002.

(51) **LOC (7) Cl.** ..... **21-01**

(52) **U.S. Cl.** ..... **D21/442**

(58) **Field of Search** ..... D21/436-453;  
D12/319, 326-327, 328-329; 446/230-232,  
34-44; 244/17.11-17.27

(56) **References Cited**

**U.S. PATENT DOCUMENTS**

5,803,789 A \* 9/1998 Dean et al. .... 446/230  
D421,279 S \* 2/2000 Tsai ..... D21/442

D467,861 S \* 12/2002 Lee ..... D12/326  
6,755,716 B2 \* 6/2004 Agostini et al. .... 446/435

\* cited by examiner

*Primary Examiner*—Raphael Barkai

(57) **CLAIM**

The ornamental design for a toy helicopter, as shown and  
described.

**DESCRIPTION**

FIG. 1 is a front perspective view of a toy helicopter  
showing the new design;

FIG. 2 is a right side view of the toy helicopter shown in  
FIG. 1;

FIG. 3 is a left side view of the toy helicopter shown in FIG.  
1;

FIG. 4 is a top view of the toy helicopter shown in FIG. 1;

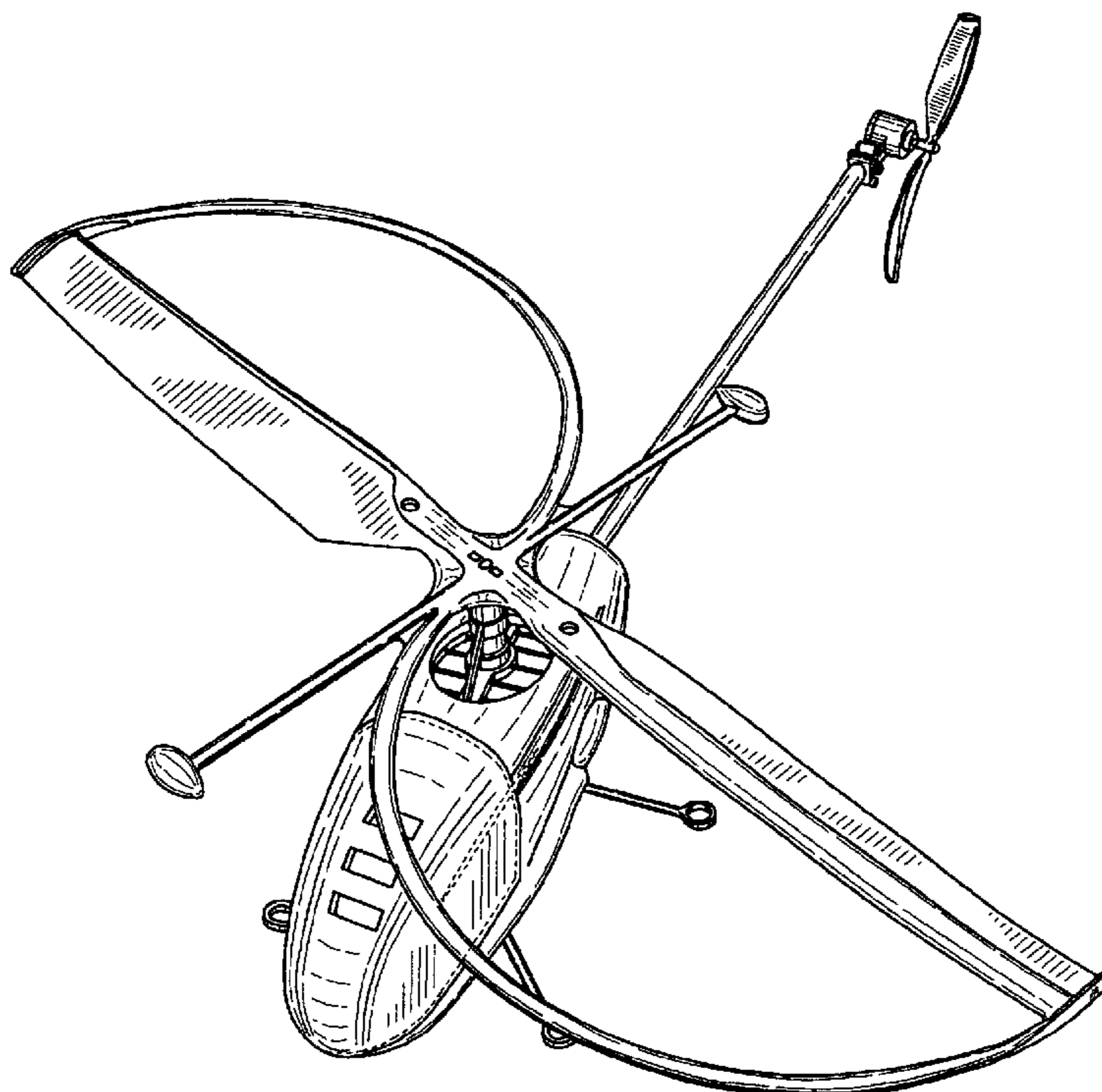
FIG. 5 is a bottom view of the rear toy helicopter shown in  
FIG. 1;

FIG. 6 is a front view of the toy helicopter shown in FIG. 1;  
and,

FIG. 7 is rear view of the toy helicopter shown in FIG. 1.

Broken lines shown in the drawings show environmental  
structure and are for illustrative purposes only and form no  
part of the claimed design. The surface shading on the  
drawings is intended only to show the character and contour  
of the surfaces and not surface indicia.

**1 Claim, 7 Drawing Sheets**



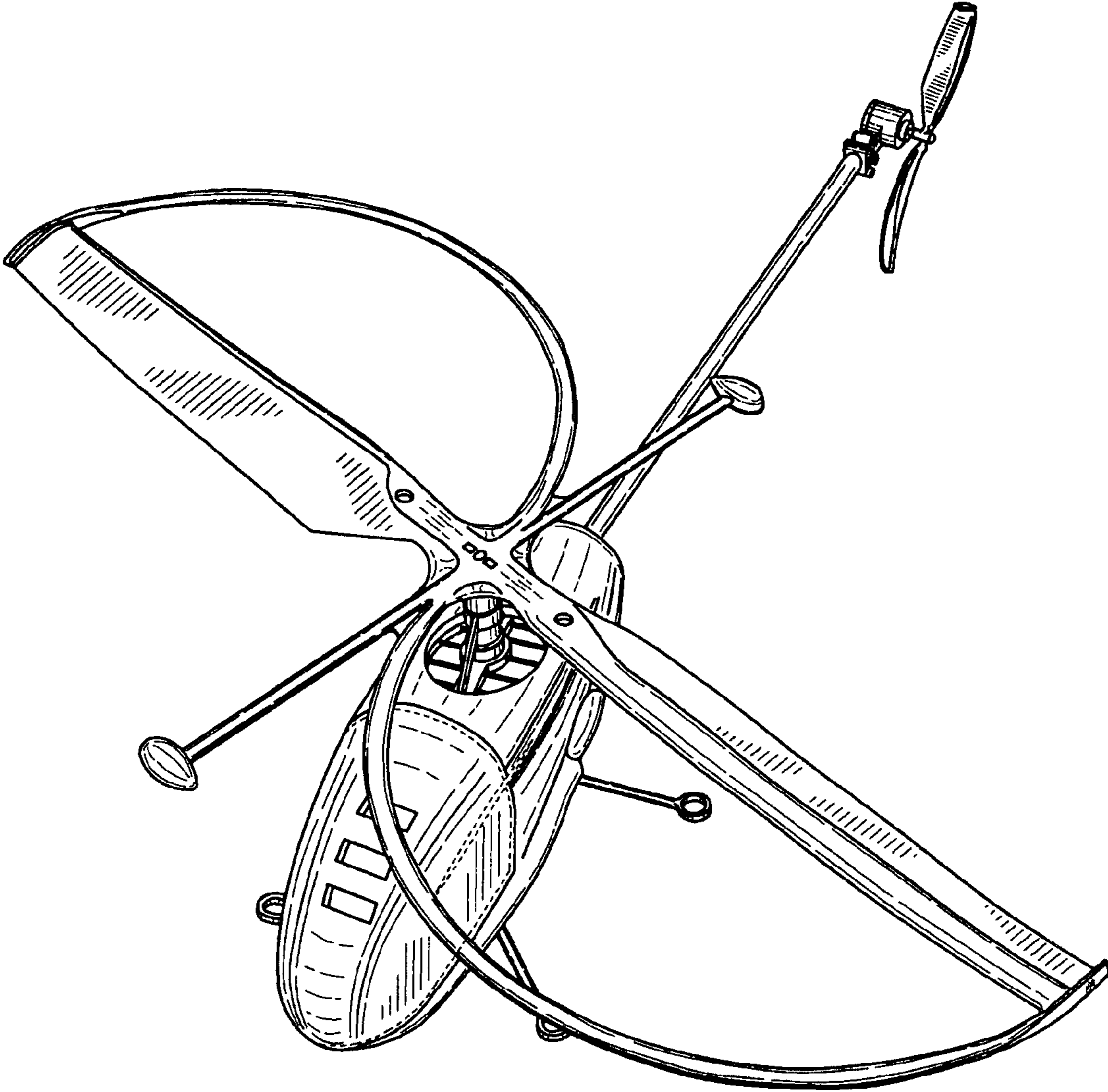


FIG. 1

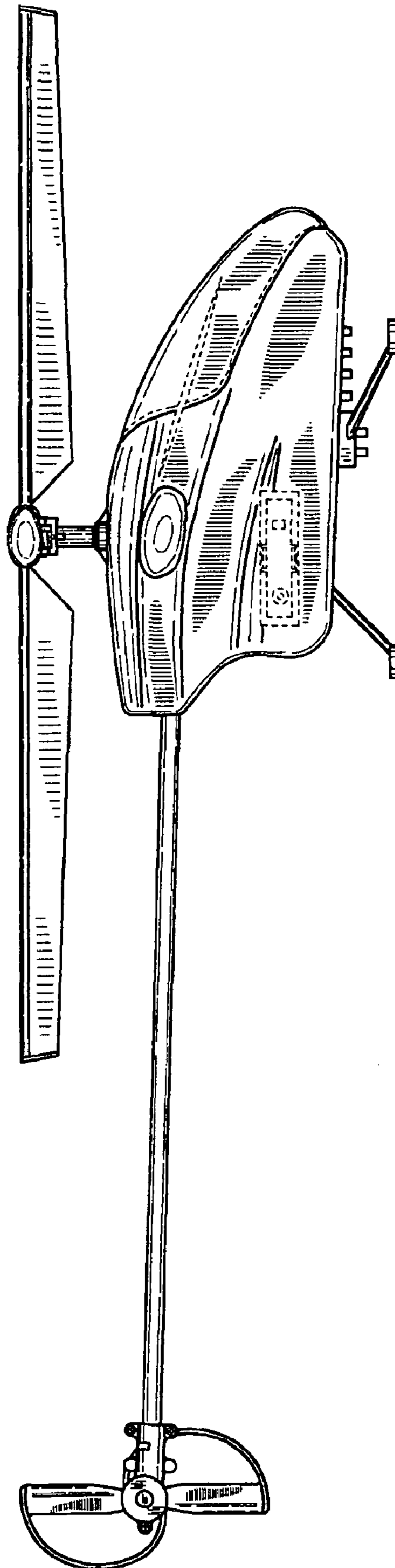


FIG. 2

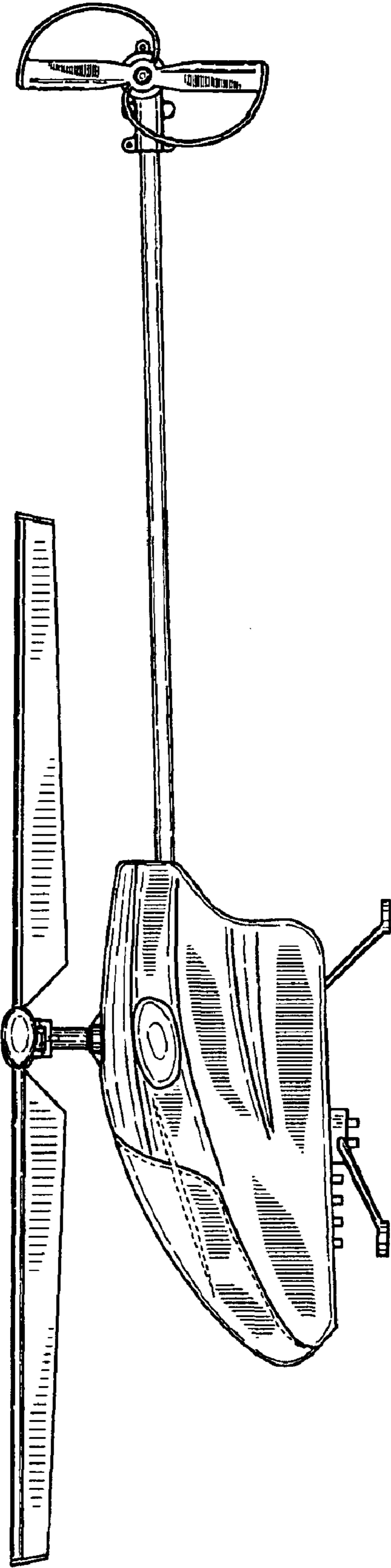


FIG. 3

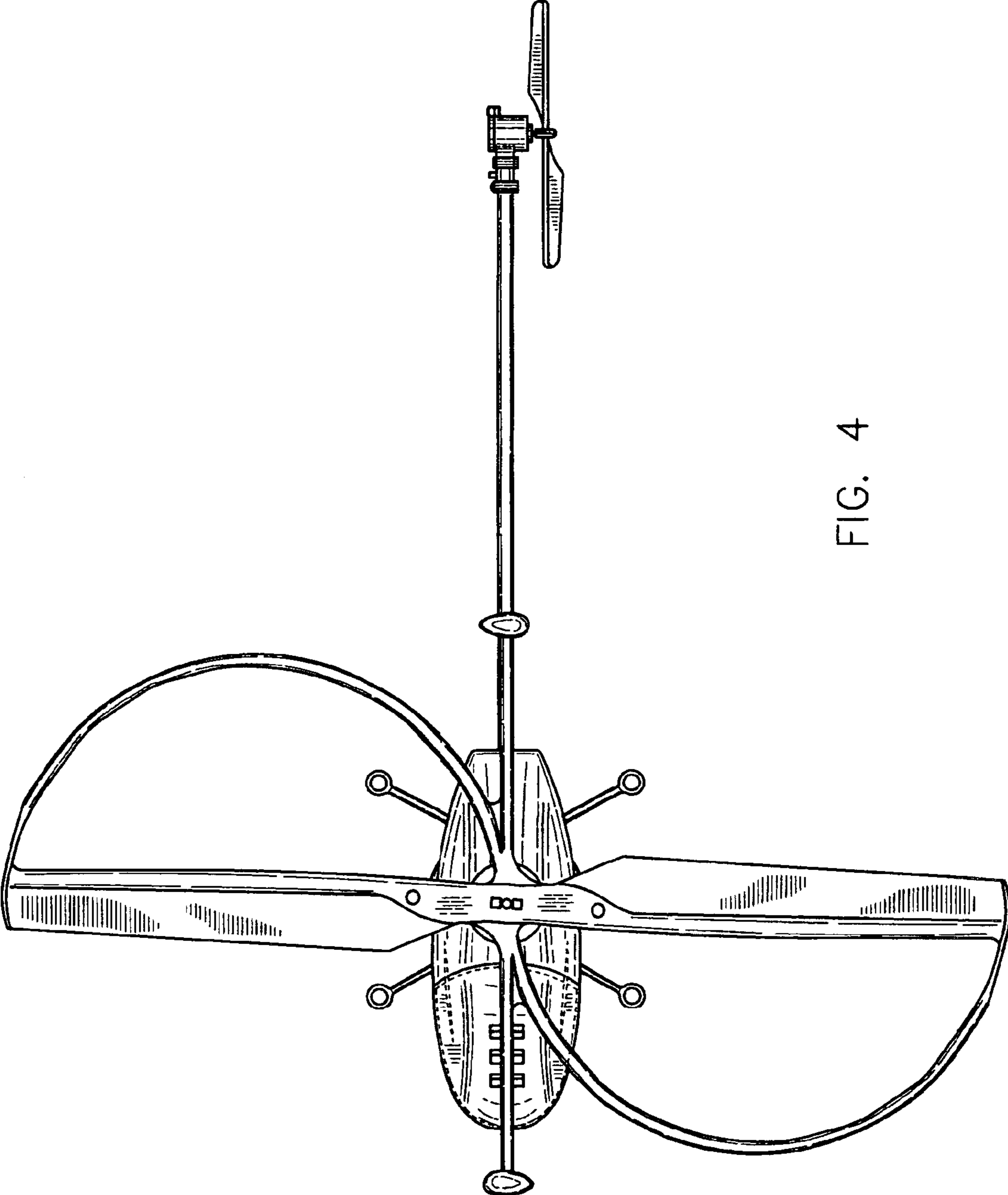


FIG. 4

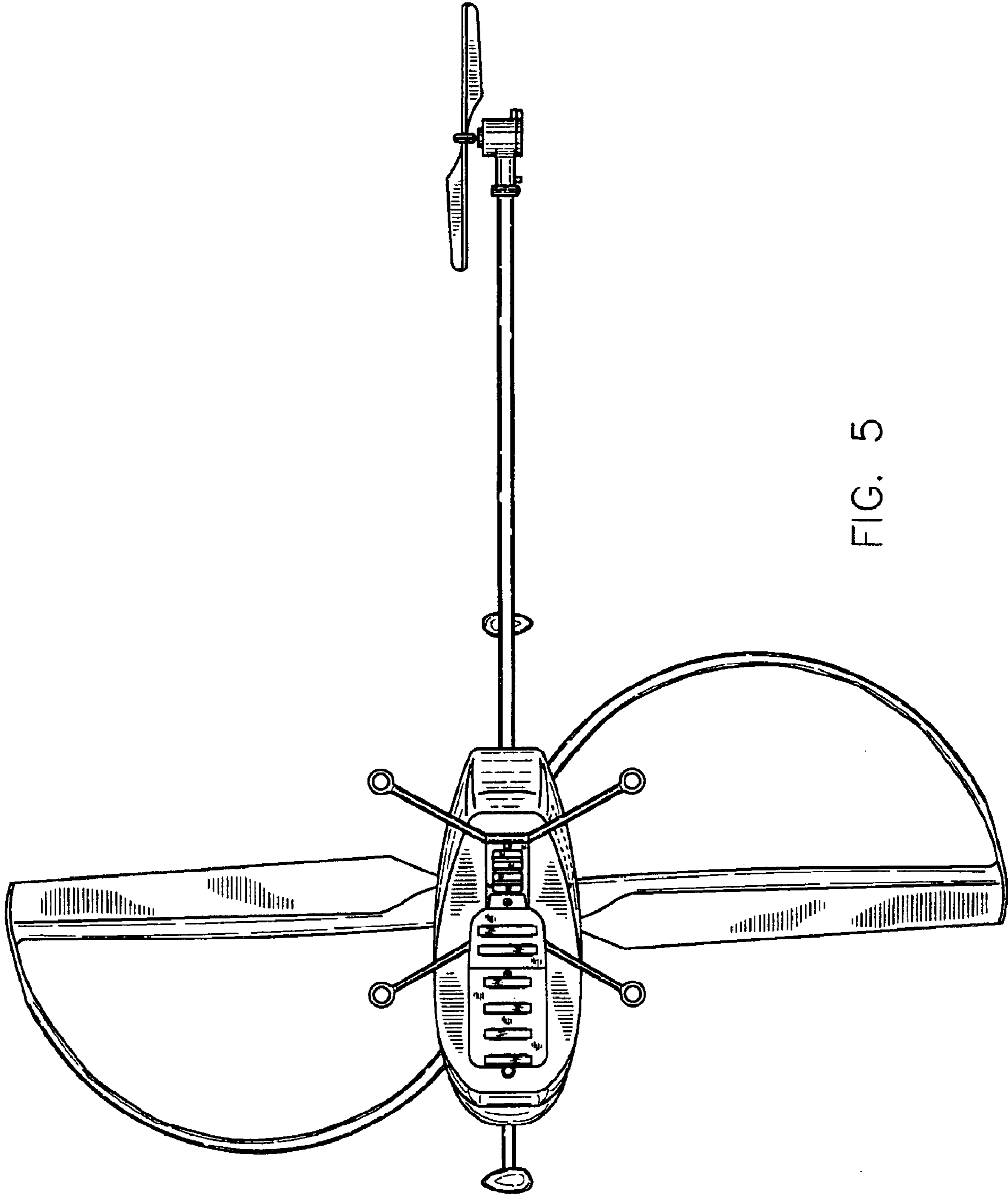


FIG. 5

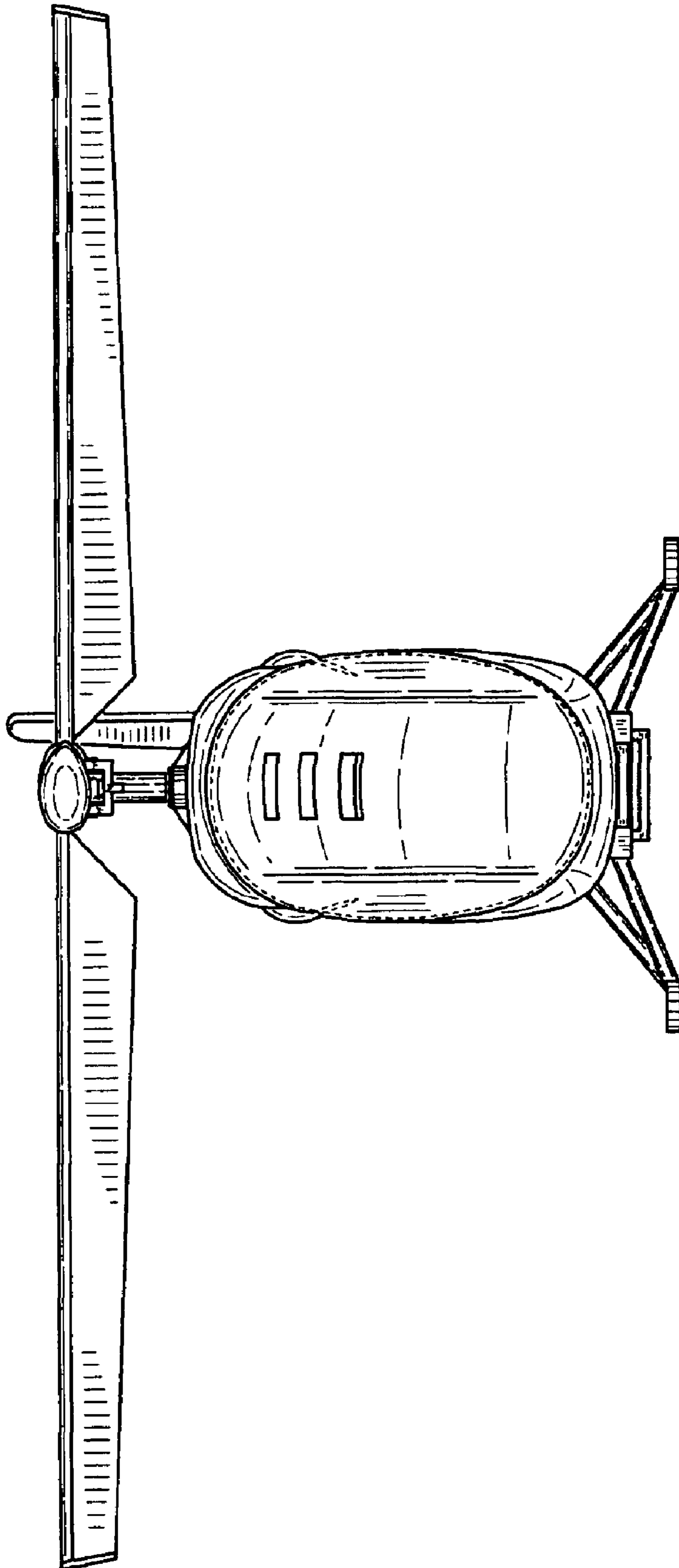


FIG. 6

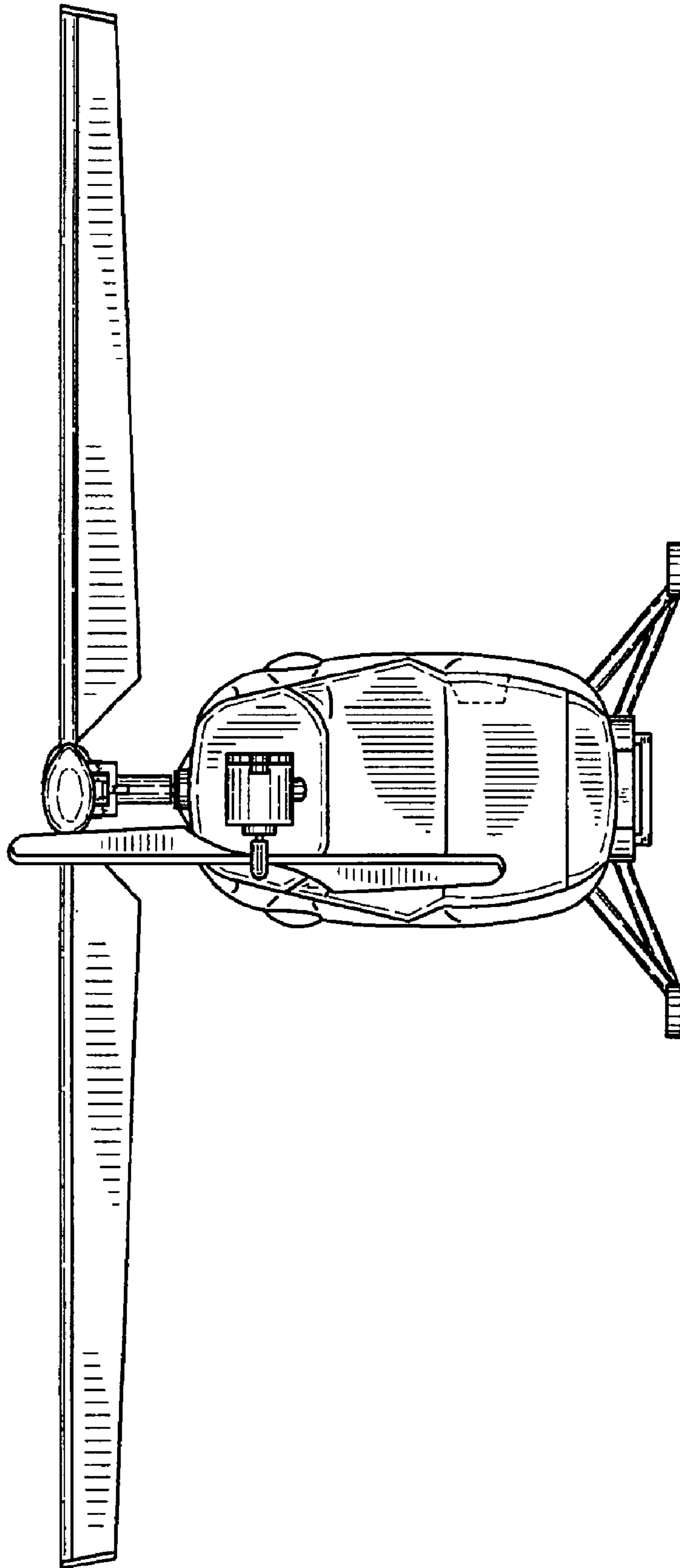


FIG. 7