

US00D503196S

(12) **United States Design Patent**
Blanchette

(10) **Patent No.:** **US D503,196 S**
(45) **Date of Patent:** **** Mar. 22, 2005**

(54) **READER**
(75) **Inventor:** **Luc Blanchette, Montreal (CA)**
(73) **Assignee:** **Visuaide Inc., Longueuil (CA)**
(**) **Term:** **14 Years**

D369,831 S * 5/1996 Chow et al. D19/60
5,611,694 A * 3/1997 Bromley 434/311
D381,685 S * 7/1997 Mah D19/60
D384,698 S * 10/1997 Chan D19/60
D388,120 S * 12/1997 Chow et al. D19/60
D407,748 S * 4/1999 Tsang et al. D19/60

* cited by examiner

(21) **Appl. No.:** **29/202,893**
(22) **Filed:** **Apr. 7, 2004**

Primary Examiner—Nelson C. Holtje
Assistant Examiner—Elizabeth Albert
(74) *Attorney, Agent, or Firm*—Robic

(51) **LOC (7) Cl.** **19-07**
(52) **U.S. Cl.** **D19/60**
(58) **Field of Search** D14/426; D19/59,
D19/60, 62; D21/324, 328, 329, 331; 434/169,
178, 201, 308

(57) **CLAIM**

The ornamental design for a reader, as shown and described.

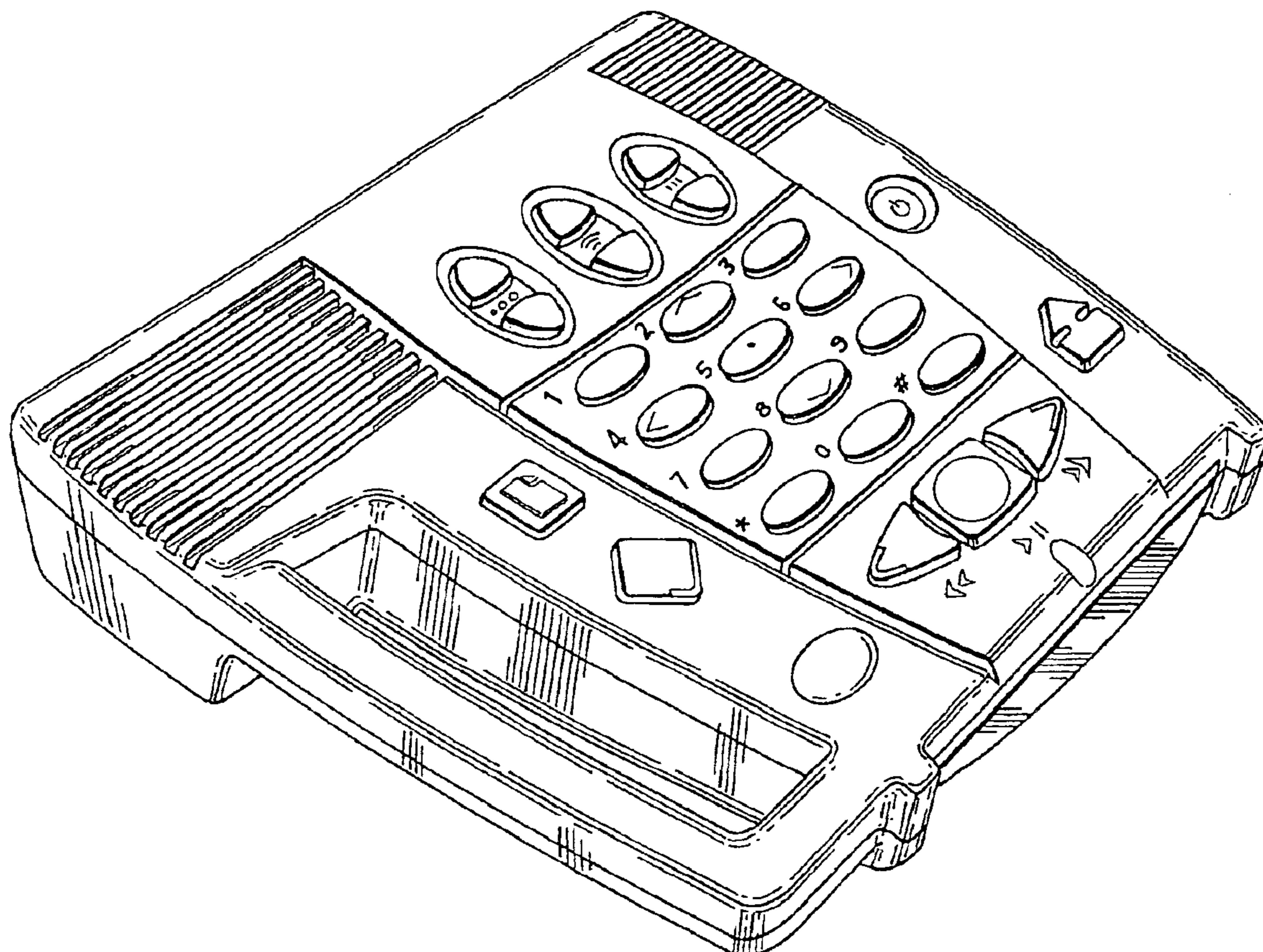
DESCRIPTION

FIG. 1 is a front perspective view of the reader showing my new design;
FIG. 2 is a top view of the reader thereof;
FIG. 3 is a front view of the reader thereof;
FIG. 4 is a rear view of the reader thereof;
FIG. 5 is a right-hand side view of the reader thereof;
FIG. 6 is a left-hand side view of the reader thereof; and,
FIG. 7 is a bottom view of the reader thereof.

(56) **References Cited**
U.S. PATENT DOCUMENTS

D256,028 S * 7/1980 Lawrence et al. D19/60
D261,907 S * 11/1981 Ho D21/329
D262,122 S * 12/1981 Lovejoy D21/328
D329,062 S * 9/1992 Chin D21/331
D345,377 S * 3/1994 Poon D19/60
D359,526 S * 6/1995 Keung D21/324

1 Claim, 7 Drawing Sheets



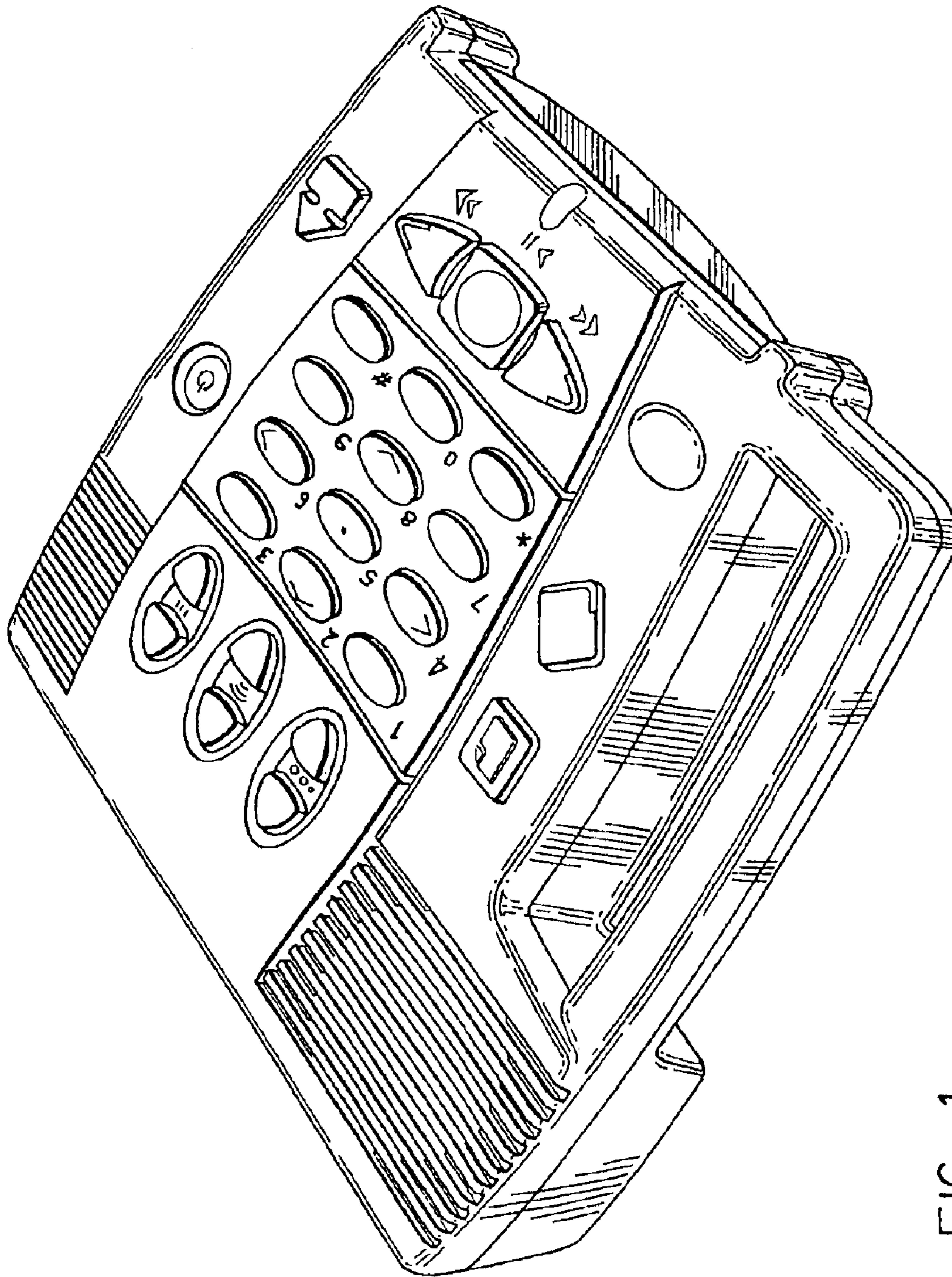


FIG. 1

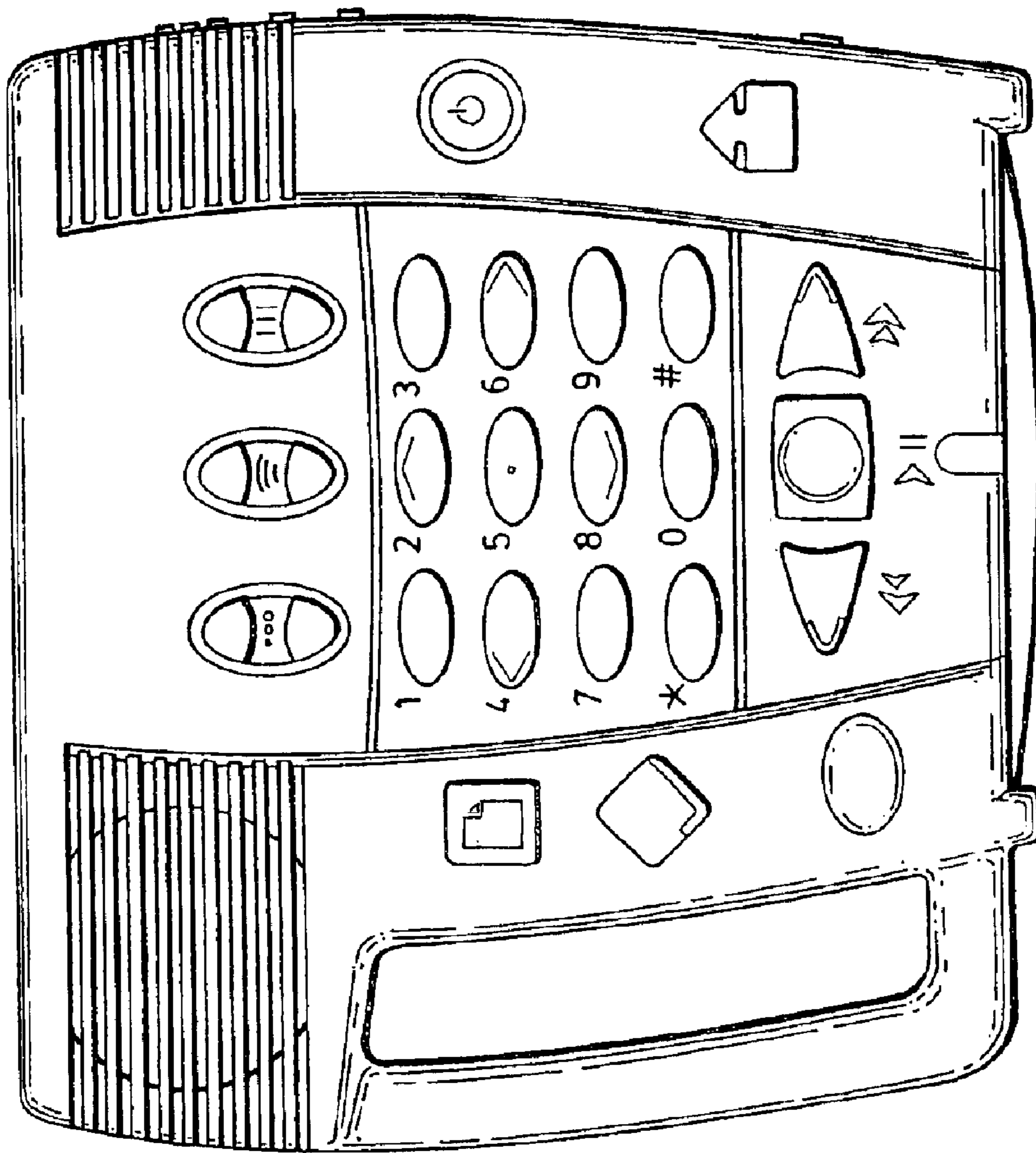


FIG. 2

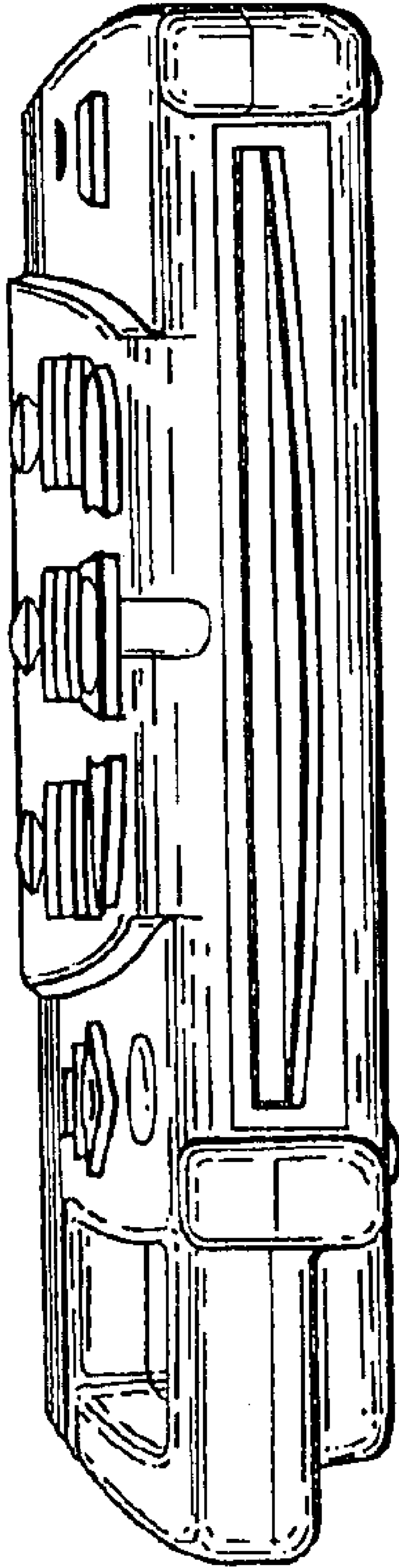


FIG. 3

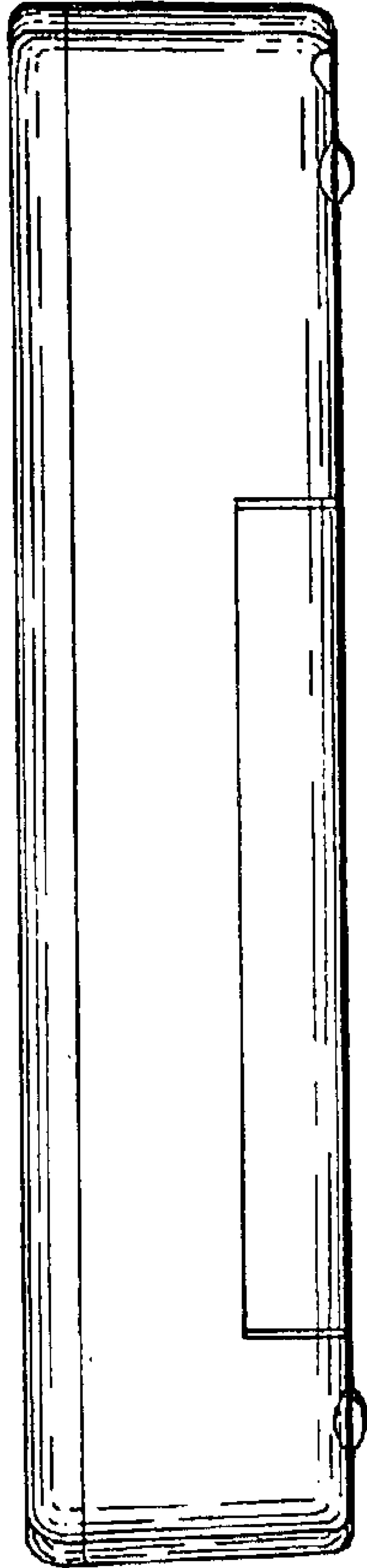


FIG. 4

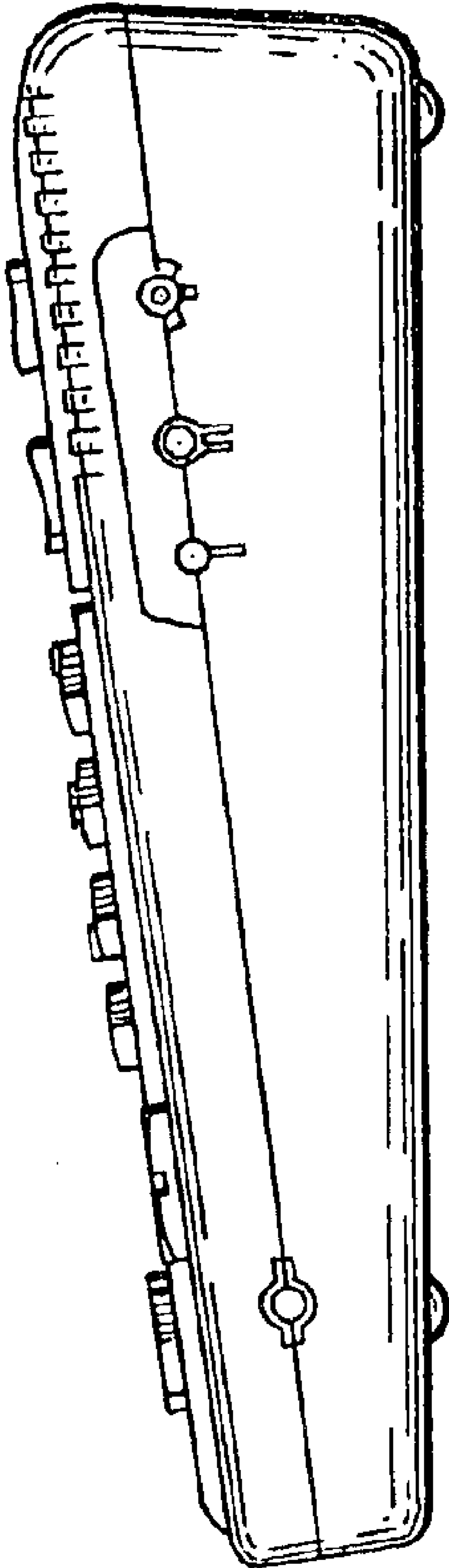


FIG. 5

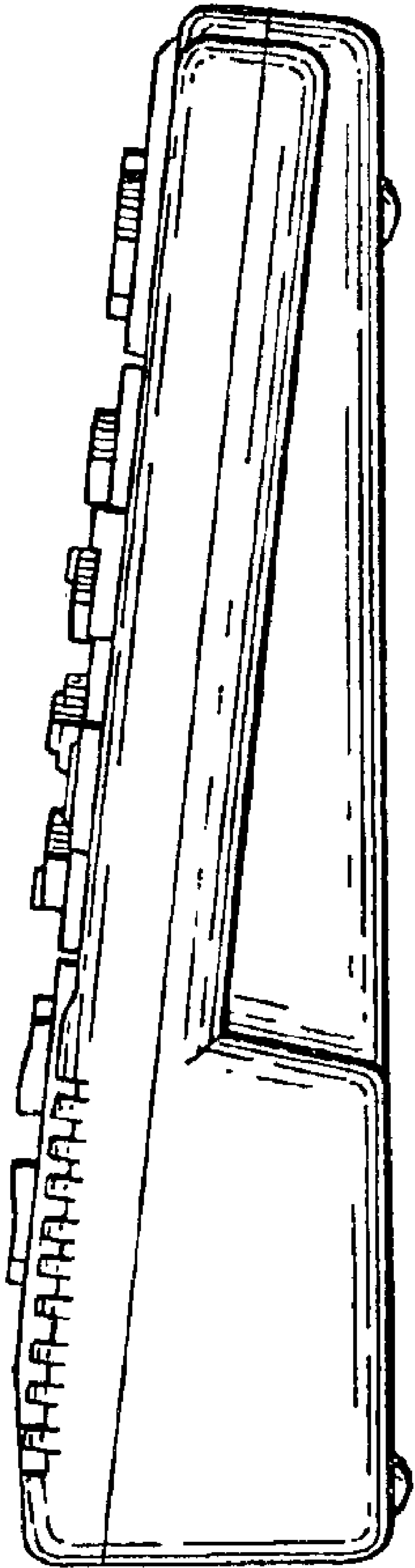


FIG. 6

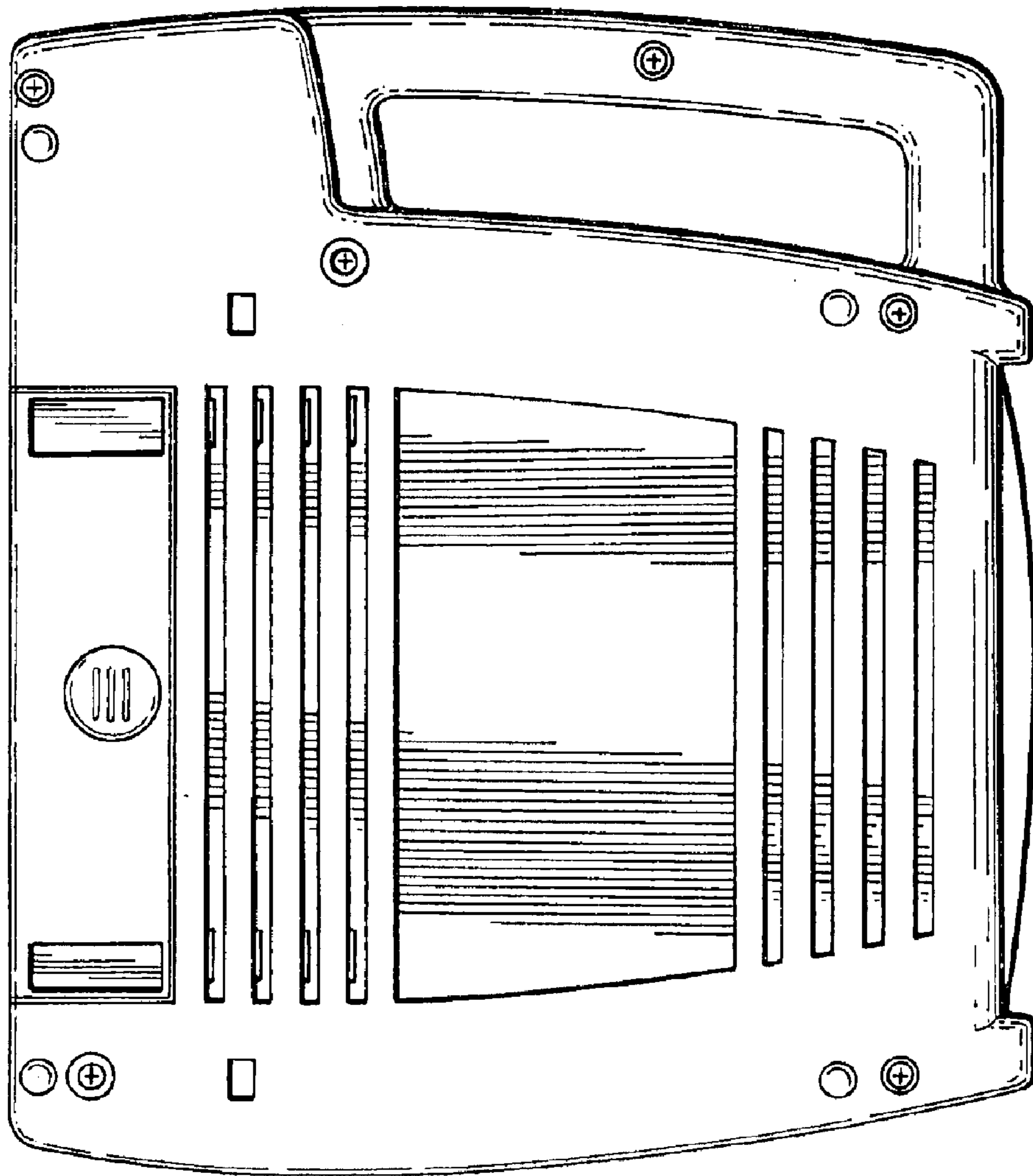


FIG. 7