

US00D503194S

(12) **United States Design Patent**
Hattori et al.

(10) **Patent No.:** **US D503,194 S**
(45) **Date of Patent:** **** Mar. 22, 2005**

(54) **TAPE PRINTING MACHINE**
(75) Inventors: **Satoru Hattori**, Nagoya (JP);
Toshihiro Takahashi, Nagoya (JP)
(73) Assignee: **Brother Industries, Ltd.**, Nagoya (JP)
(**) Term: **14 Years**

D363,082 S * 10/1995 Watanabe et al. D18/19
5,492,420 A * 2/1996 Nunokawa et al. D18/19
D373,785 S * 9/1996 Watanabe et al. D18/19
D389,510 S * 1/1998 Mimoto D18/19
D462,378 S * 9/2002 Hattori D18/19
D491,218 S * 6/2004 Masamitsu et al. D18/50

* cited by examiner

(21) Appl. No.: **29/202,232**
(22) Filed: **Mar. 29, 2004**

Primary Examiner—Charles A. Rademaker
(74) *Attorney, Agent, or Firm*—Oliff & Berridge, PLC

(30) **Foreign Application Priority Data**

Sep. 29, 2003 (JP) 2003-028401

(51) **LOC (7) Cl.** **18-02**
(52) **U.S. Cl.** **D18/56**
(58) **Field of Search** D18/50, 19, 56,
D18/36-39; D14/613, 686, 692; 400/613,
613.1-613.4, 691-694, 690.1-690.4; 355/78;
101/93.4, 269

(57) **CLAIM**

The ornamental design for tape printing machine, as shown and described.

DESCRIPTION

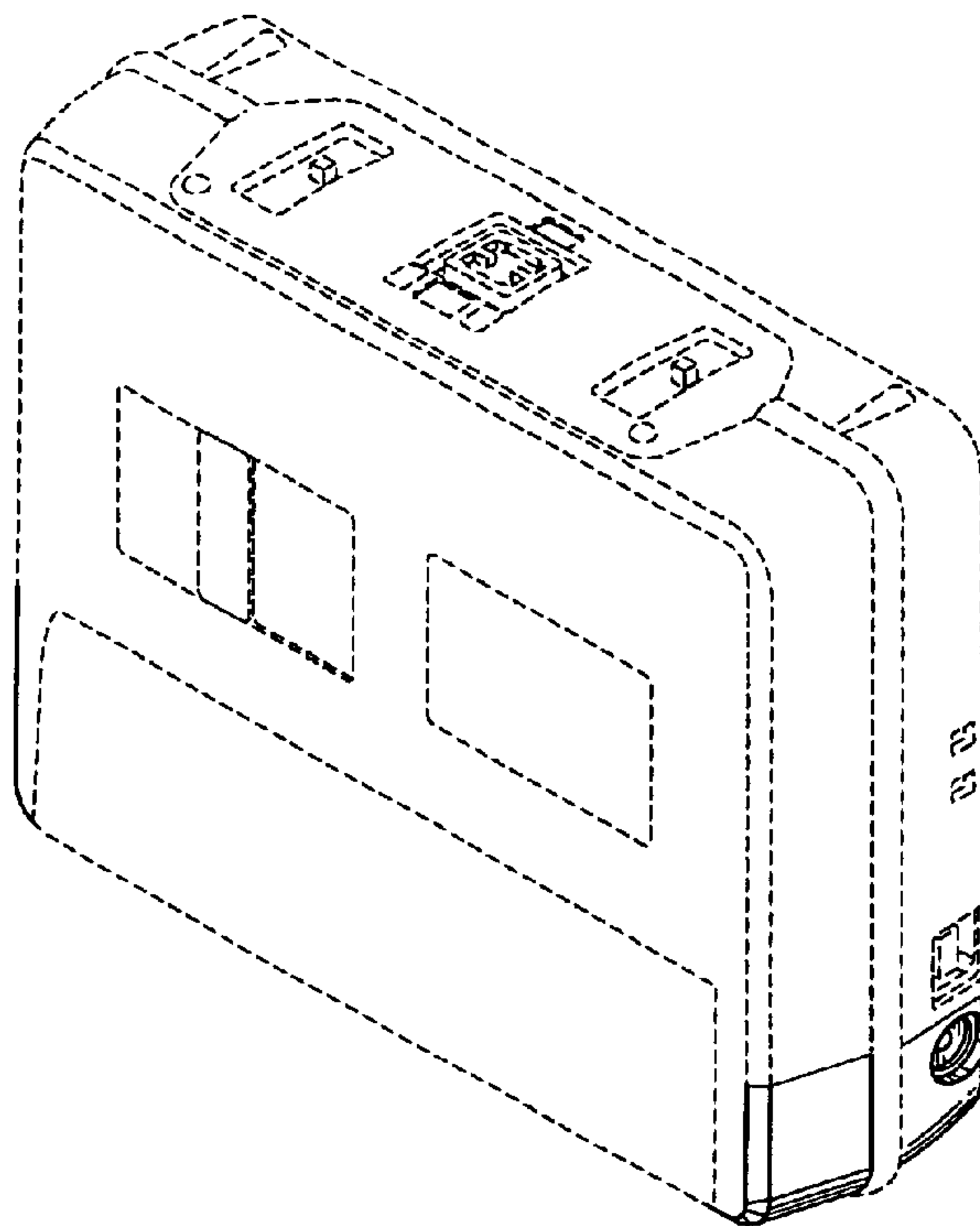
FIG. 1 is a front view of a tape printing machine;
FIG. 2 is a top view thereof;
FIG. 3 is a right-side view thereof;
FIG. 4 is a left-side view thereof;
FIG. 5 is a rear view thereof;
FIG. 6 is a front perspective view thereof; and,
FIG. 7 is a rear perspective view thereof.
The broken line disclosure is for illustrative purposes only and forms no part of the claimed design.

(56) **References Cited**

U.S. PATENT DOCUMENTS

D315,919 S * 4/1991 Miyamoto et al. D18/50
D344,537 S * 2/1994 Tsuchida et al. D18/19
D359,753 S * 6/1995 Salinas et al. D18/50

1 Claim, 4 Drawing Sheets



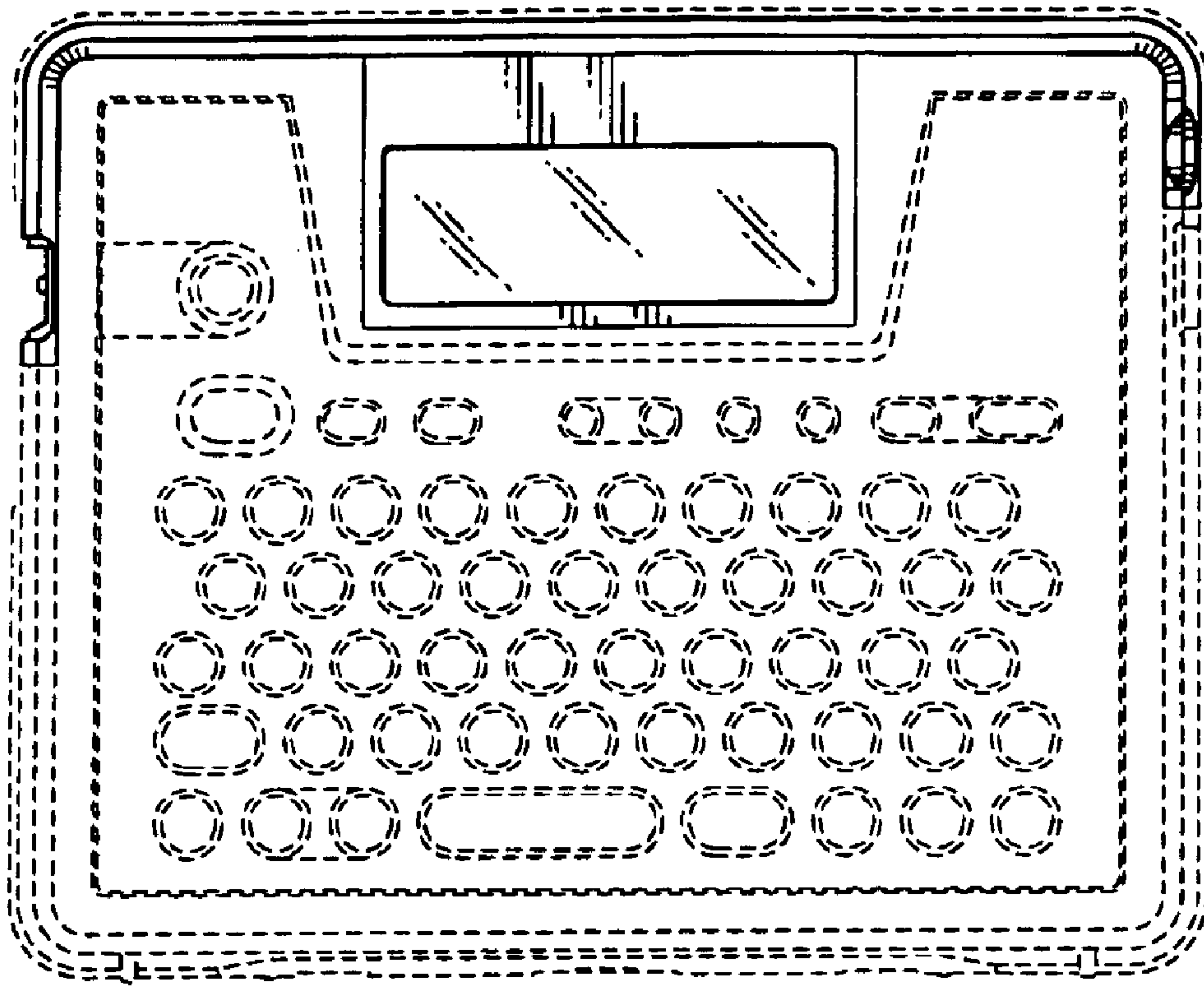


FIG. 1

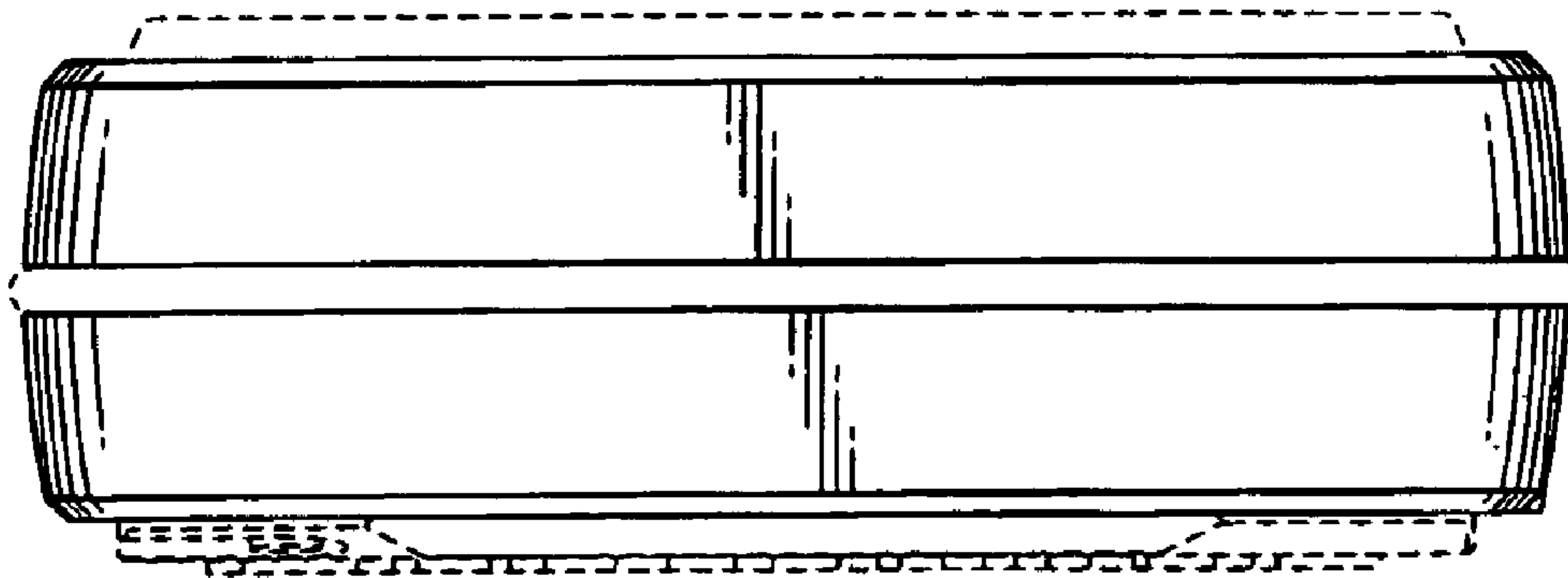


FIG. 2

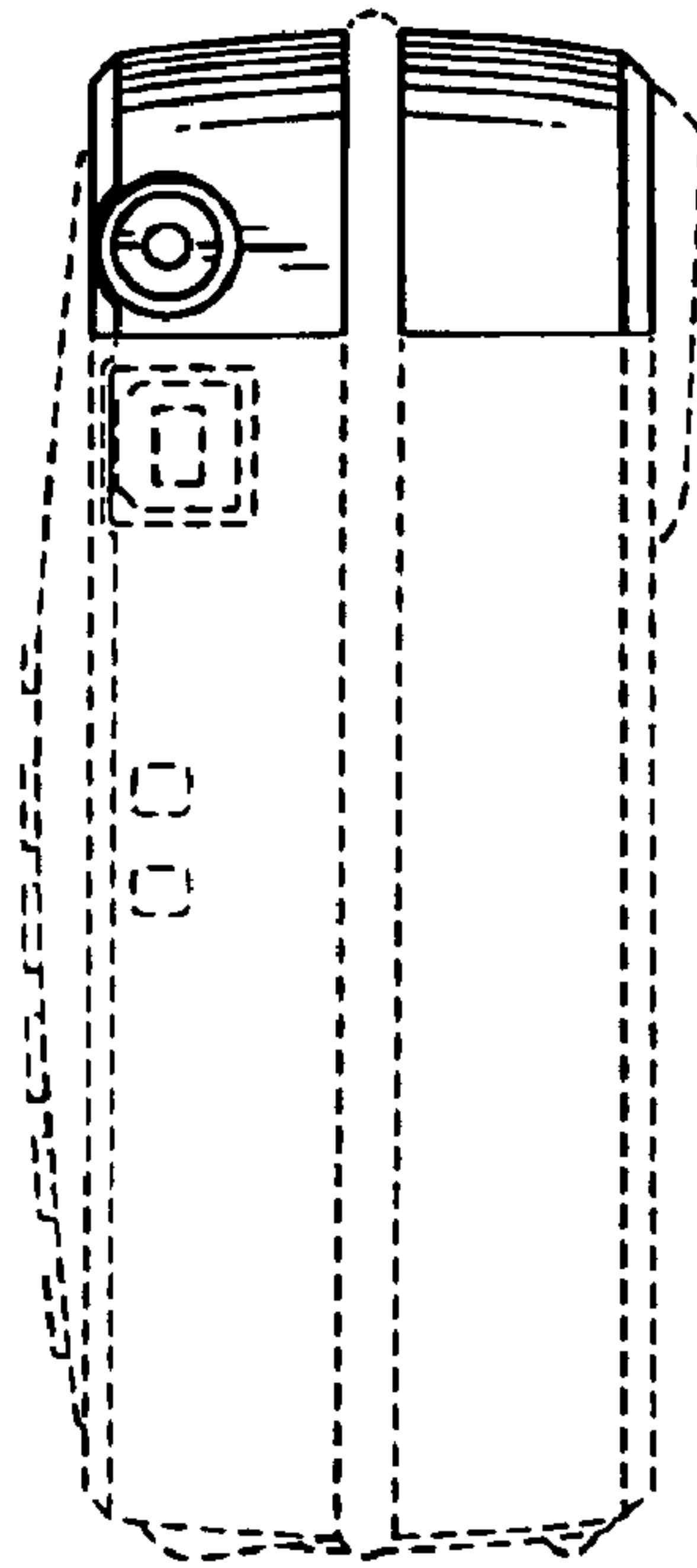


FIG. 3

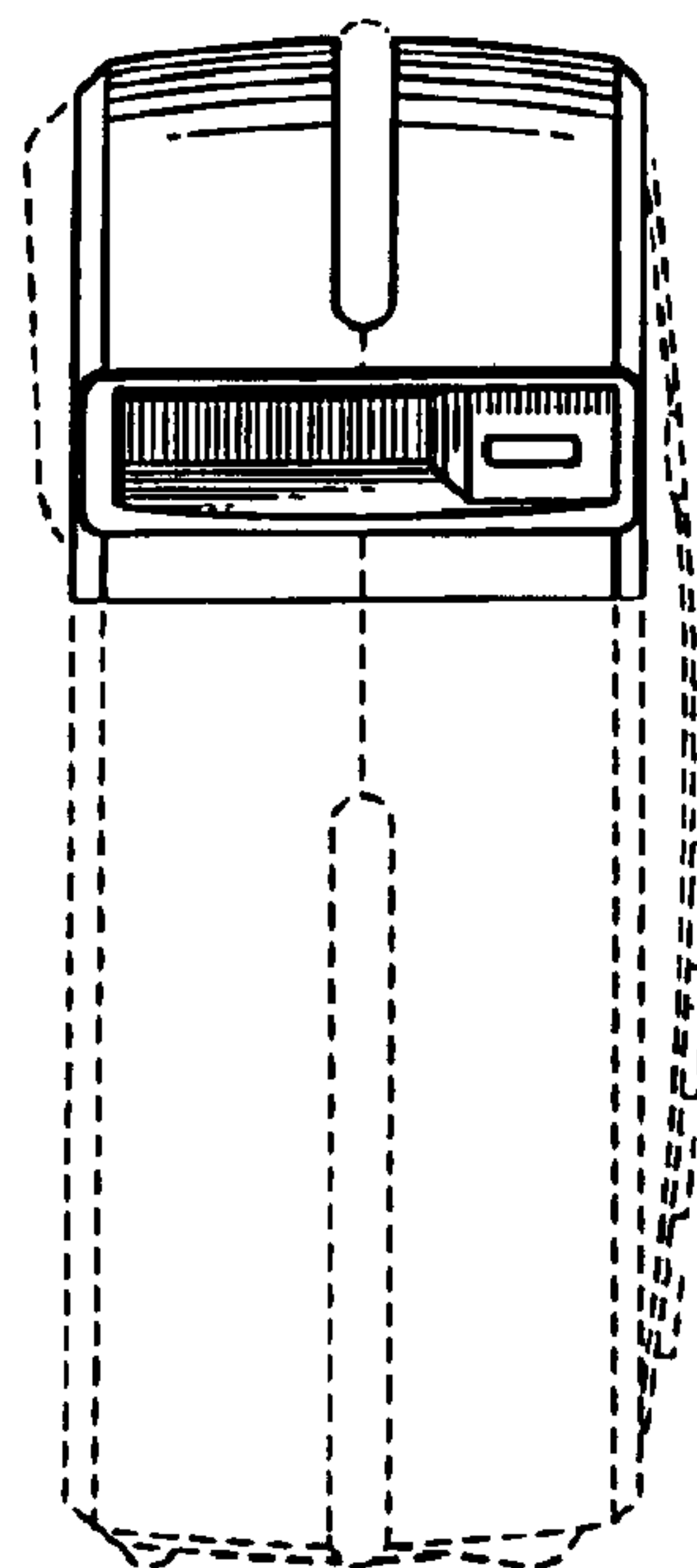


FIG. 4

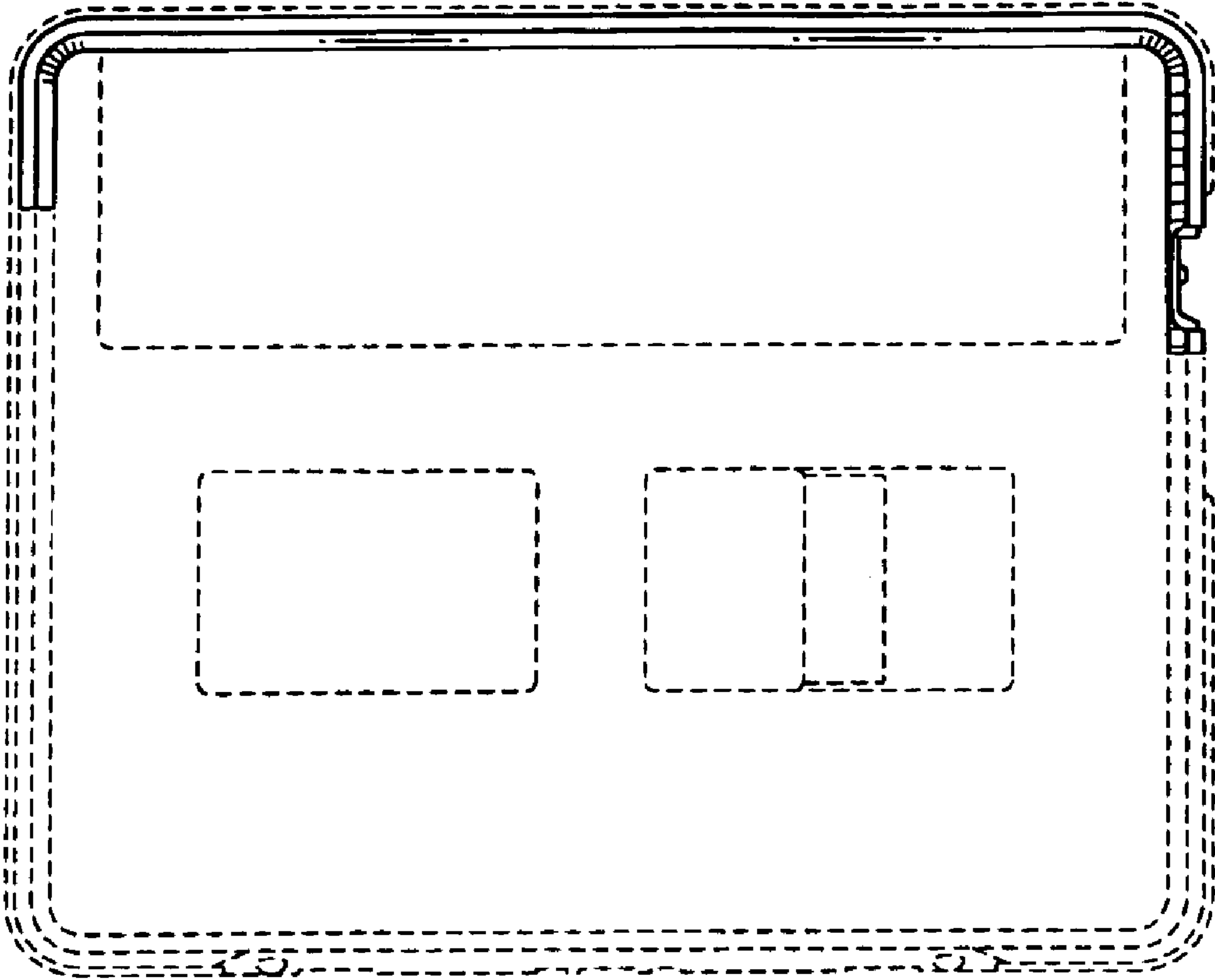


FIG. 5

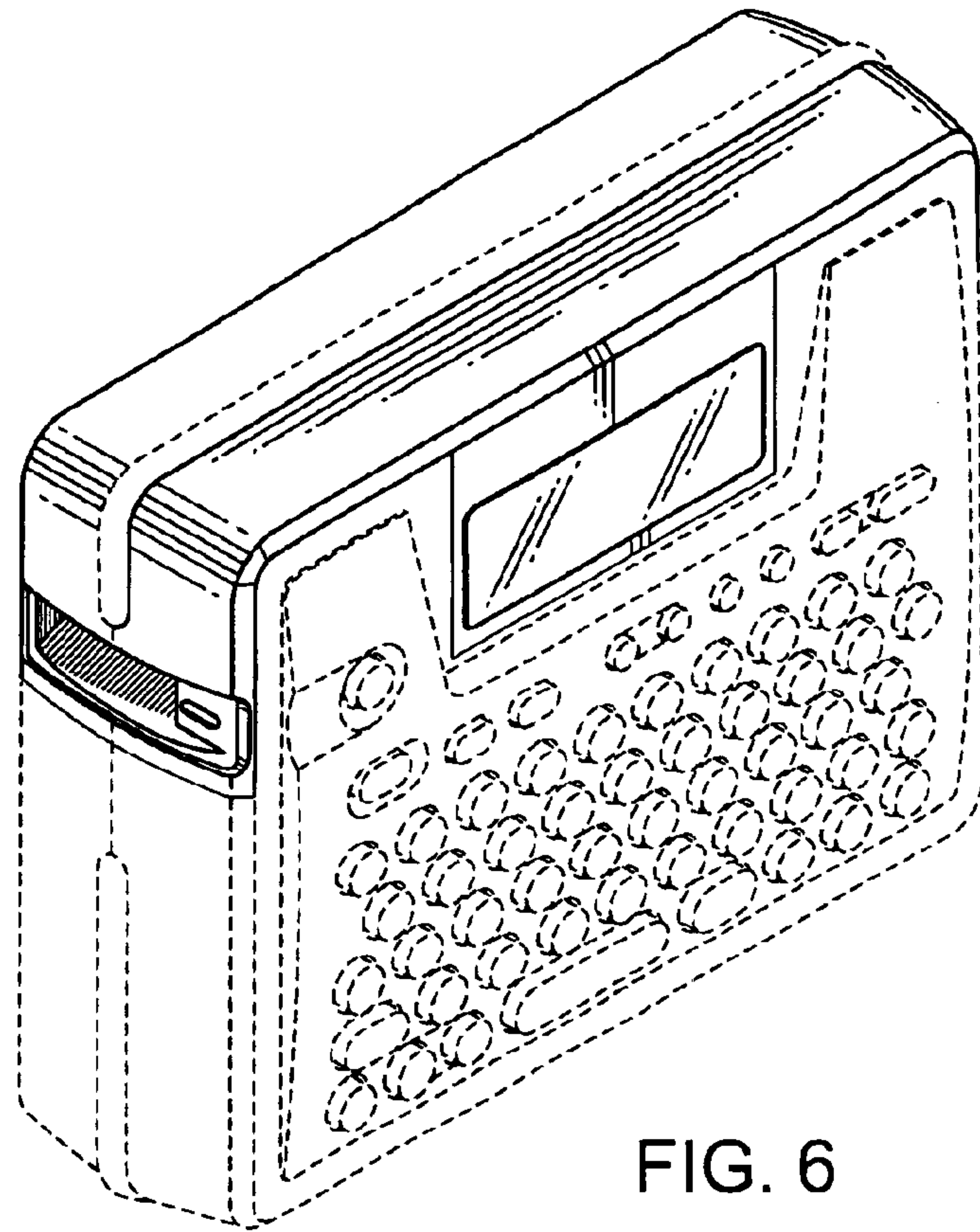


FIG. 6

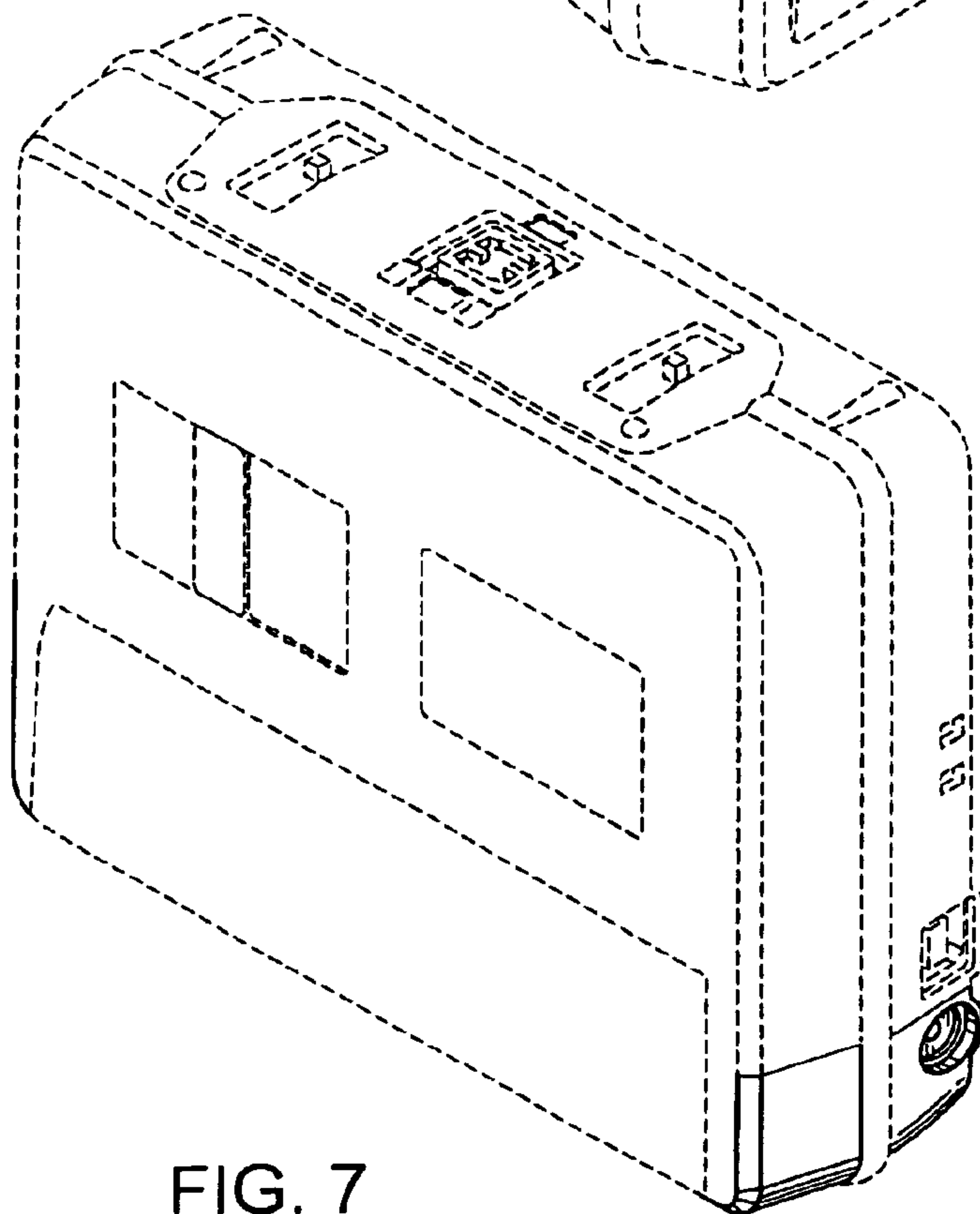


FIG. 7