



US00D503191S

(12) **United States Design Patent**
Mori et al.

(10) **Patent No.:** **US D503,191 S**
(45) **Date of Patent:** **** Mar. 22, 2005**

(54) **PAPER CUTTER**

(75) Inventors: **Makoto Mori**, Tokyo (JP); **Hideyuki Suzuki**, Tokyo (JP); **Ayano Yamashita**, Tokyo (JP)

(73) Assignee: **Carl Manufacturing Co., Ltd.**, Tokyo (JP)

(**) Term: **14 Years**

(21) Appl. No.: **29/201,404**

(22) Filed: **Mar. 15, 2004**

(51) **LOC (7) Cl.** **18-04**

(52) **U.S. Cl.** **D18/34**

(58) **Field of Search** D18/34, 99, 50;
85/85, 607, 468, 485, 583, 614, 633; 241/100.36,
166, 167, 235, 236, 168, 169, 284, 285.1,
285.2; D15/127

(56) **References Cited**

U.S. PATENT DOCUMENTS

D319,840 S	*	9/1991	Hatsumi et al.	D18/34
D322,974 S	*	1/1992	Mori	D15/127
D379,193 S		5/1997	Cornell		
D381,359 S	*	7/1997	Mori	D18/34
D387,377 S	*	12/1997	Daley, Jr.	D18/34
D417,693 S	*	12/1999	Daley, Jr.	D18/34
D425,548 S		5/2000	Rellinger		

D469,800 S 2/2003 Robillard
2003/0140761 A1 7/2003 Schulz

FOREIGN PATENT DOCUMENTS

GB 2032080 * 2/1993

* cited by examiner

Primary Examiner—Charles A. Rademaker

(74) *Attorney, Agent, or Firm*—Michael S. Leonard;
Everest Intellectual Property Law Group

(57) **CLAIM**

The ornamental design for a paper cutter, as shown and described.

DESCRIPTION

FIG. 1 is a front view of a paper cutter showing our new design;

FIG. 2 is a rear view thereof;

FIG. 3 is a left side view thereof;

FIG. 4 is a right side view thereof;

FIG. 5 is a top plan view thereof;

FIG. 6 is a bottom plan view thereof;

FIG. 7 is a perspective view thereof when a plate is rotated; and,

FIG. 8 is a perspective view thereof when a plate and a rotation lever are rotated.

1 Claim, 3 Drawing Sheets

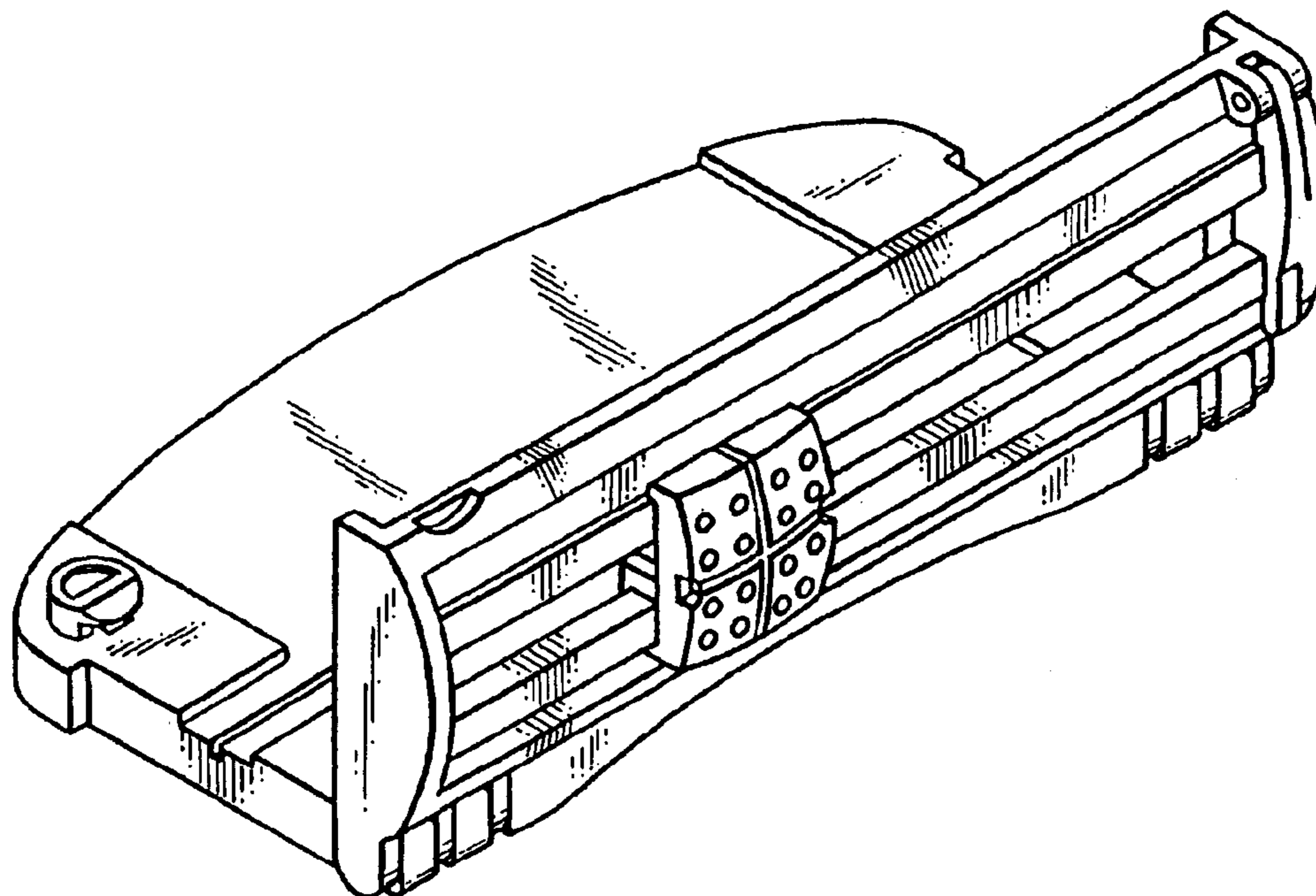


FIG. 1

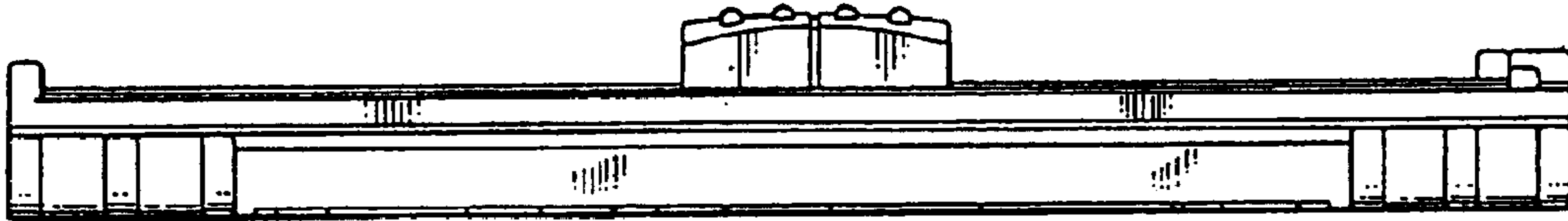


FIG. 2

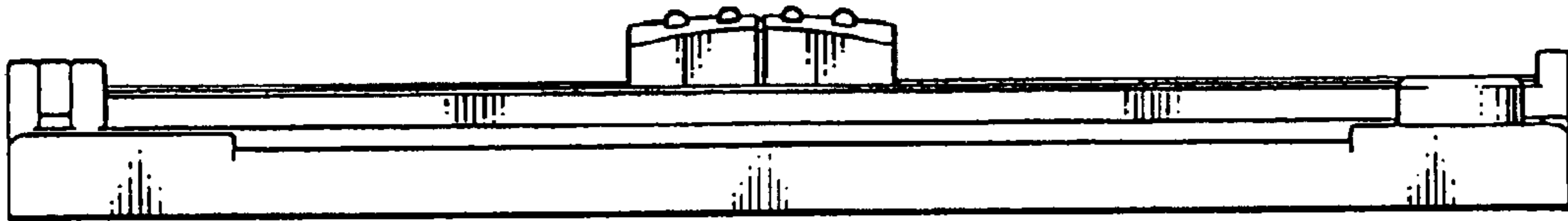


FIG. 3

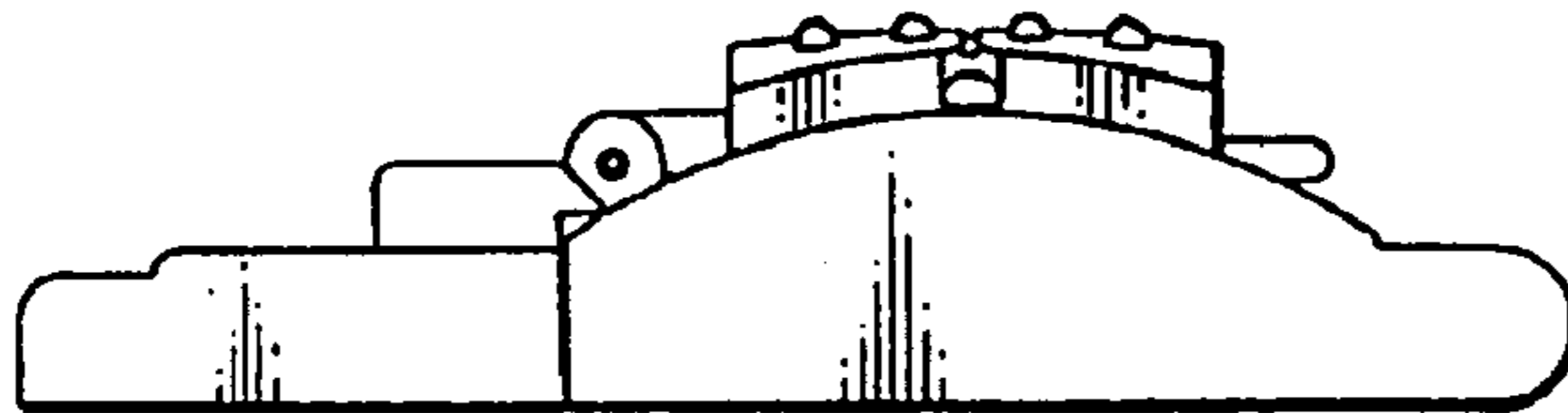


FIG. 4

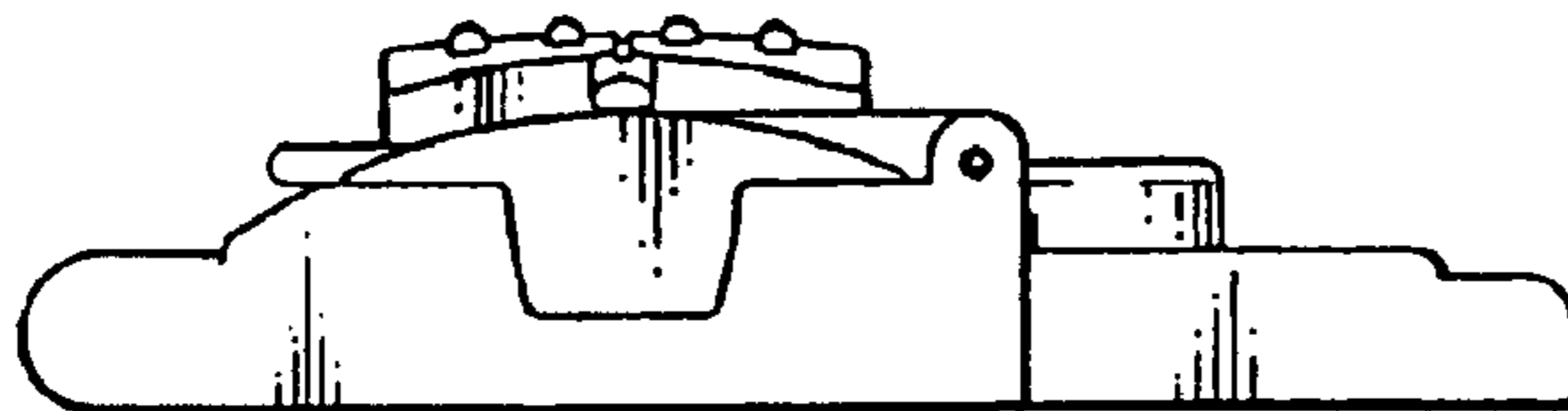


FIG. 5

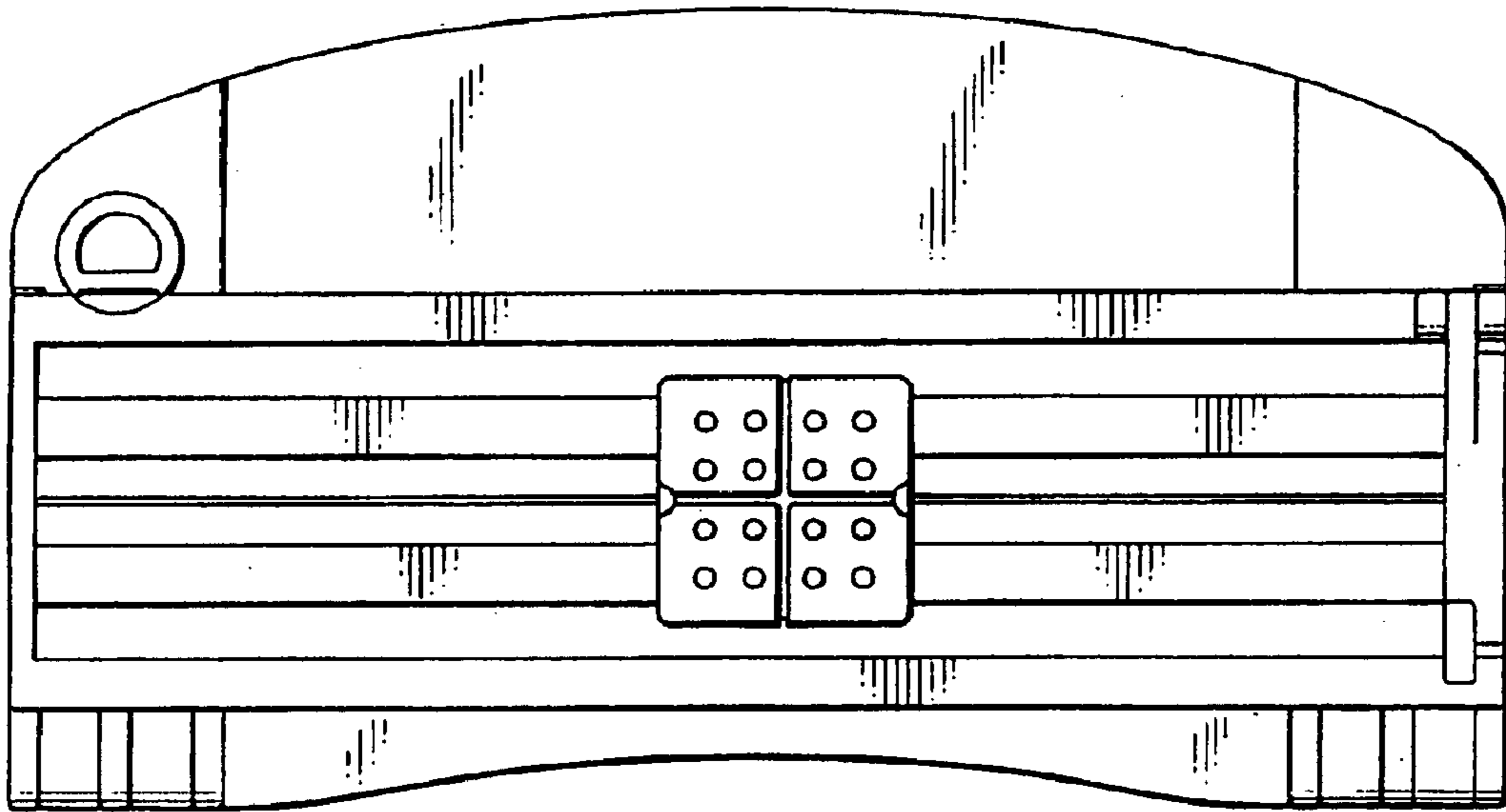


FIG. 6

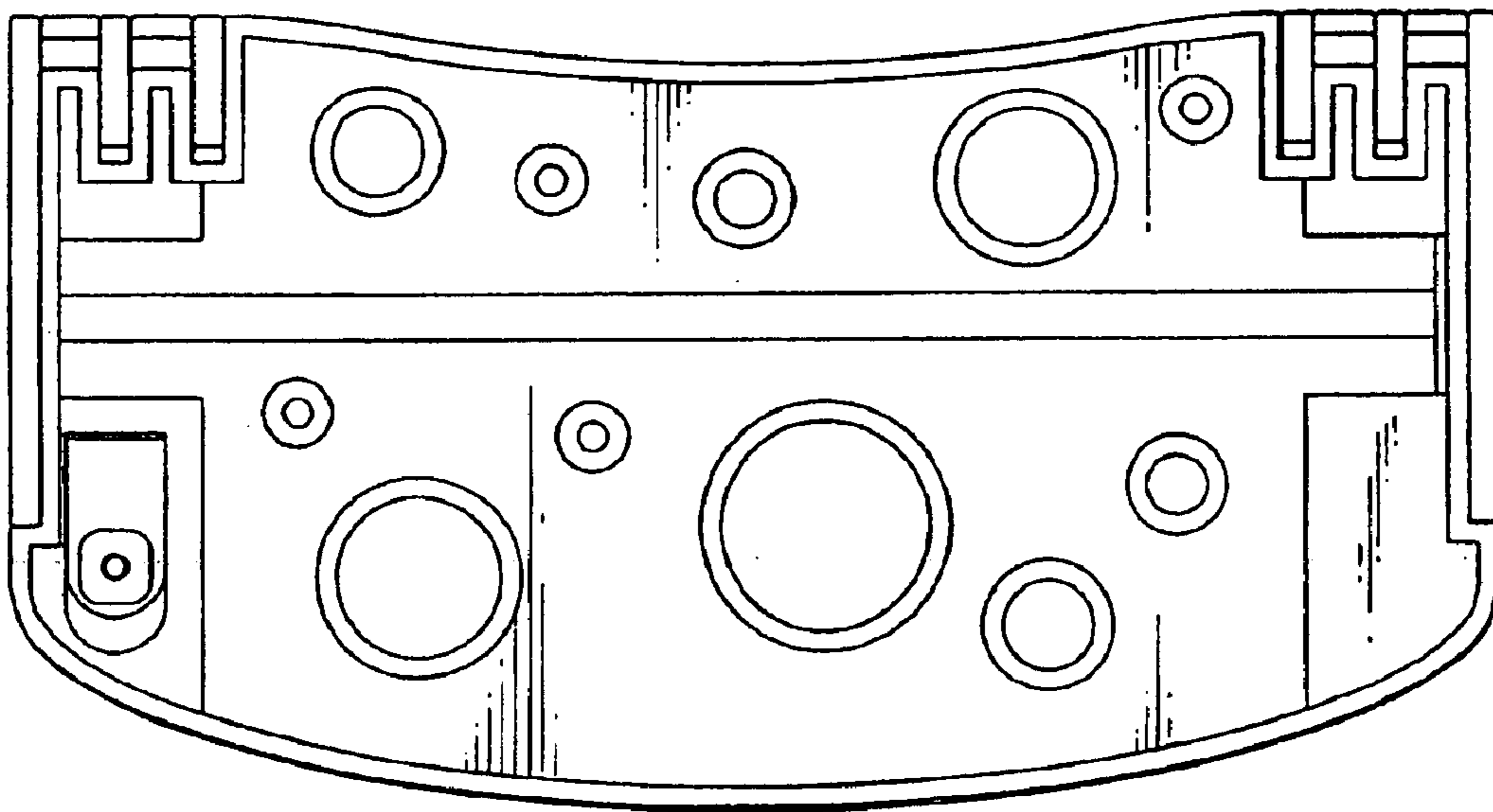


FIG. 7

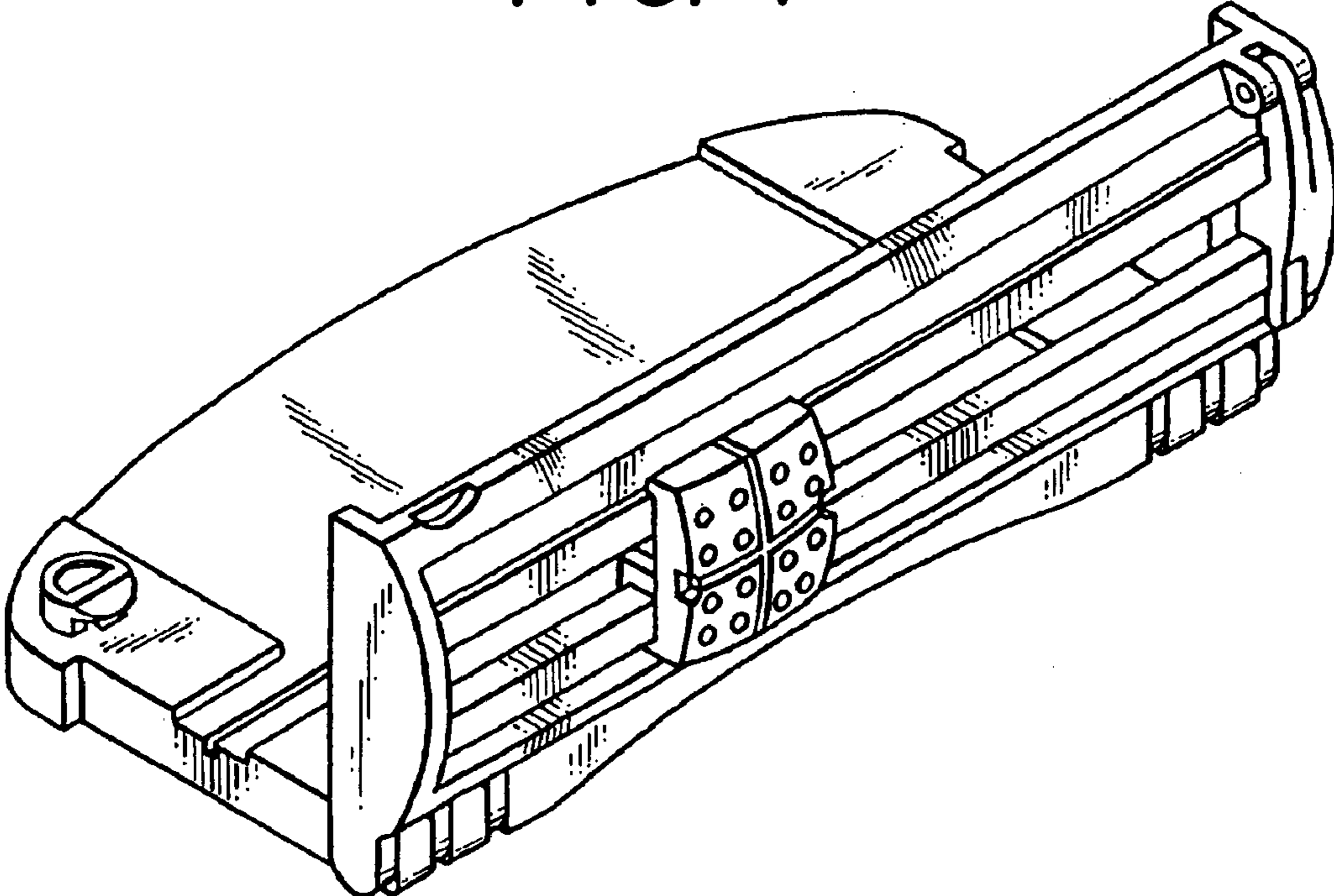


FIG. 8

