

US00D503187S

(12) **United States Design Patent**  
**Selinidis et al.**

(10) **Patent No.:** **US D503,187 S**  
(45) **Date of Patent:** **\*\* Mar. 22, 2005**

(54) **PHOTOFINISHING SYSTEM  
MAINTENANCE CARTRIDGE**

(75) Inventors: **Kosta S. Selinidis**, Austin, TX (US);  
**Paul N. Winberg**, Austin, TX (US);  
**Richard A. Patterson**, Georgetown, TX  
(US); **Joseph B. Gault**, Portland, OR  
(US); **Jonathan D. Isom**, Keetmanstoop  
(NA)

(73) Assignee: **Eastman Kodak Company**, Rochester,  
NY (US)

(\*\*) Term: **14 Years**

(21) Appl. No.: **29/199,224**

(22) Filed: **Feb. 11, 2004**

(51) **LOC (7) Cl.** ..... **16-04**

(52) **U.S. Cl.** ..... **D16/250**

(58) **Field of Search** ..... D16/237, 246,  
D16/247-250; D18/12, 40, 43, 53, 56;  
396/567; 400/208

(56) **References Cited**

**U.S. PATENT DOCUMENTS**

D318,870 S \* 8/1991 Matsuoka ..... D18/12

D342,276 S \* 12/1993 Tsushima ..... D18/12  
D358,165 S \* 5/1995 Ehara ..... D18/56  
5,419,643 A \* 5/1995 Matsuura ..... 400/208  
D372,269 S \* 7/1996 Miyazaki et al. .... D18/56  
D423,566 S \* 4/2000 Hosono ..... D18/56

\* cited by examiner

*Primary Examiner*—Adir Aronovich

(74) *Attorney, Agent, or Firm*—David A. Novais

(57) **CLAIM**

The ornamental design for a photofinishing system maintenance cartridge, as shown and described.

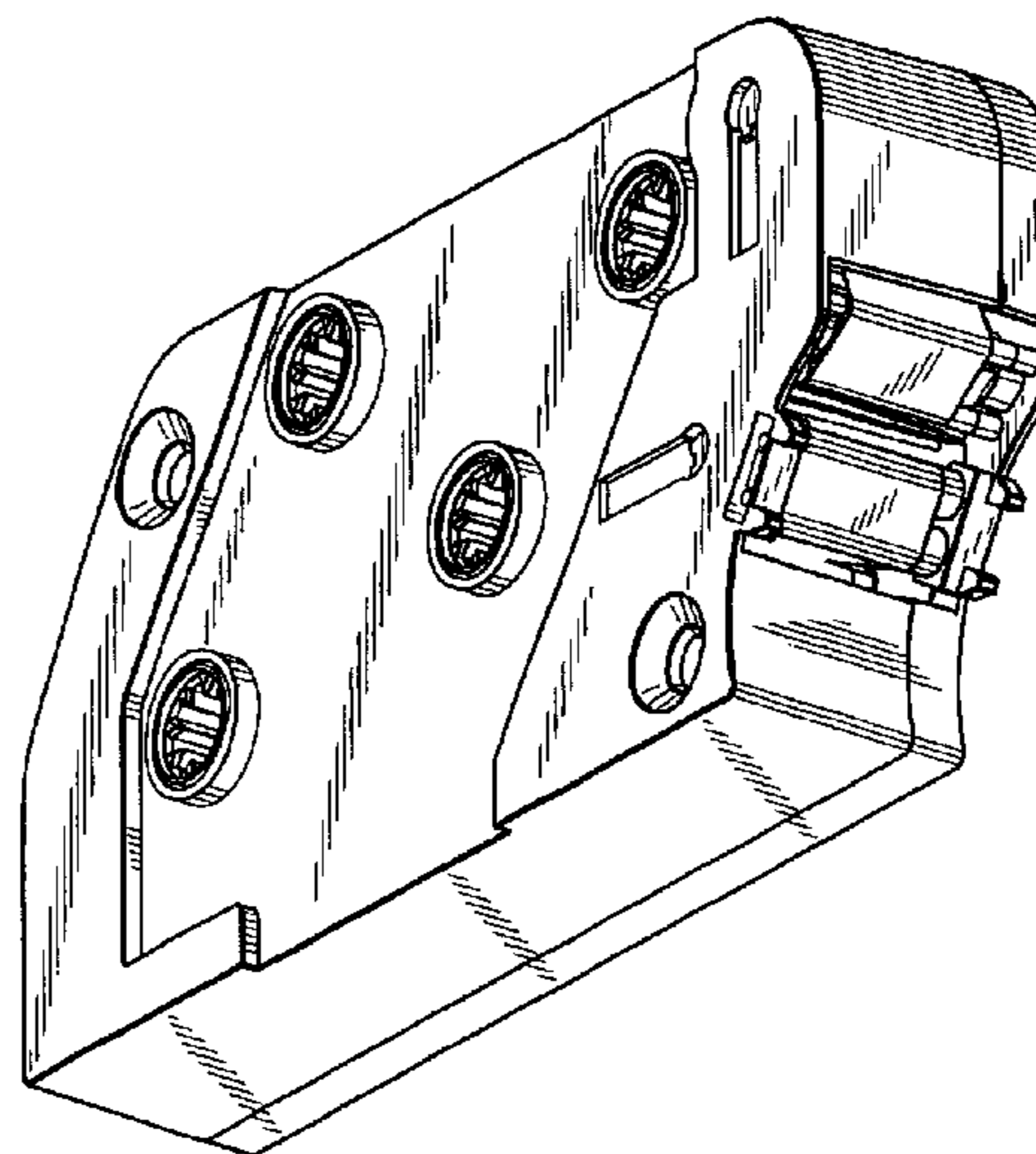
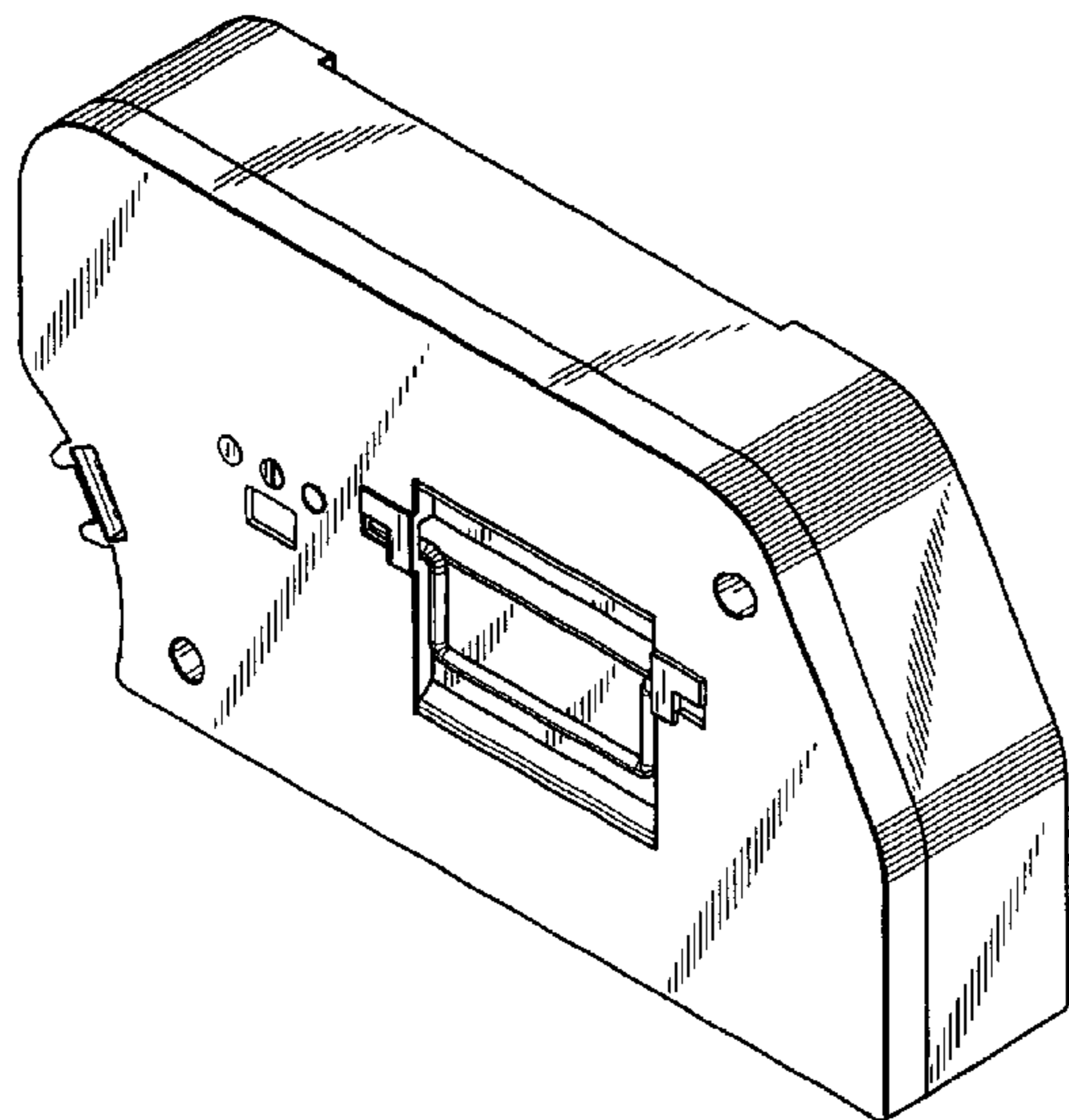
**DESCRIPTION**

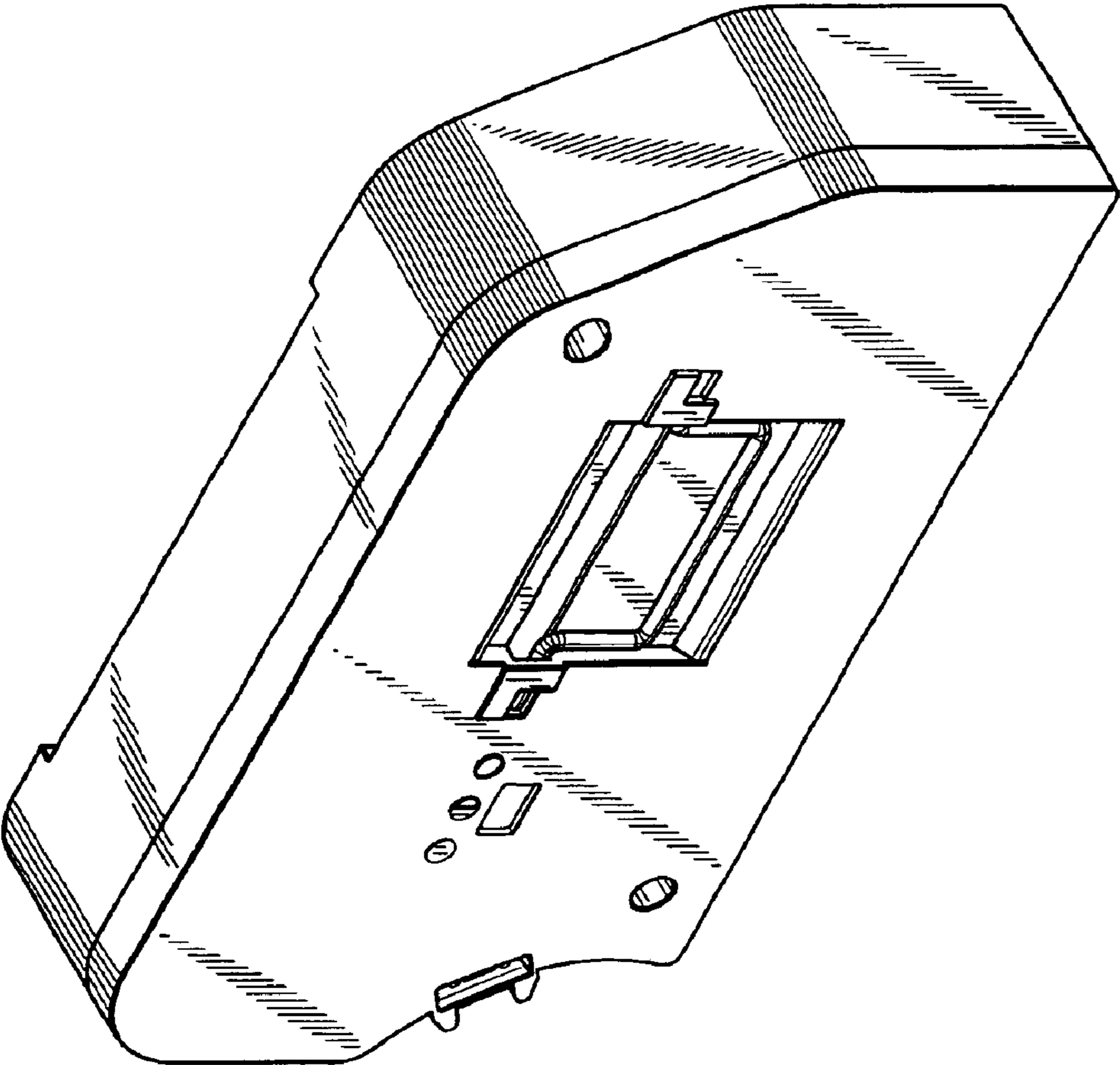
The maintenance cartridge forms an enclosure which can house a cleaning web that is adapted to clean the face of an applicator nozzle of a photofinishing system, and a capping or sealing web that is adapted to seal the face of the applicator nozzle.

FIG. 1 is a front, top and right side perspective view of a photofinishing system maintenance cartridge in accordance with the invention; and,

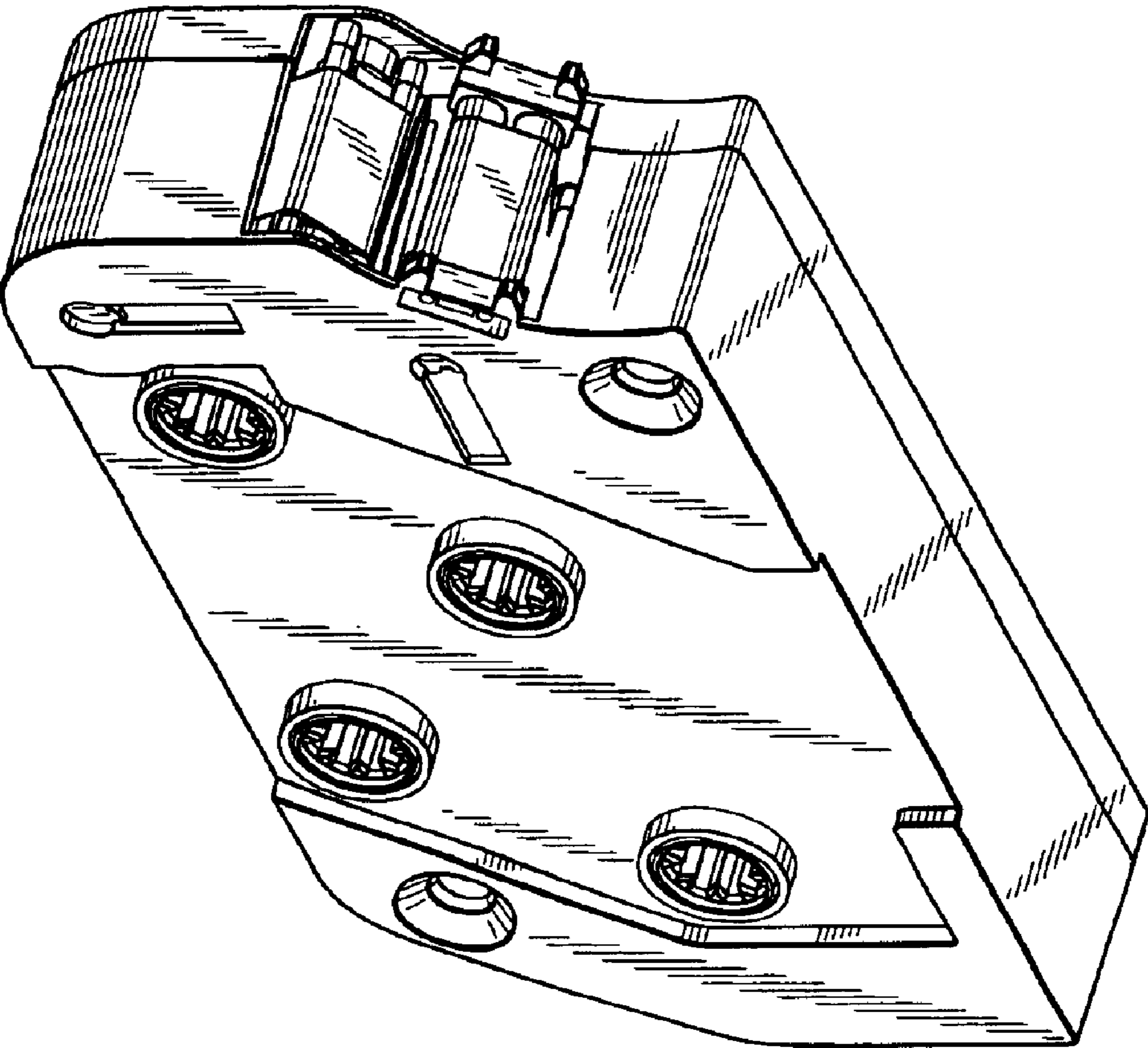
FIG. 2 is a rear, bottom and left side perspective view of a photofinishing system maintenance cartridge in accordance with the invention.

**1 Claim, 2 Drawing Sheets**





**FIG. 1**



**FIG. 2**