

US00D503186S

(12) **United States Design Patent**  
**Horikiri**

(10) **Patent No.:** **US D503,186 S**  
(45) **Date of Patent:** **\*\* Mar. 22, 2005**

(54) **ELECTRONIC CAMERA**

(75) Inventor: **Kazuhisa Horikiri, Tokyo (JP)**

(73) Assignee: **Fuji Photo Film Co., Ltd., Kanagawa (JP)**

(\*\*) Term: **14 Years**

(21) Appl. No.: **29/203,909**

(22) Filed: **Apr. 22, 2004**

(30) **Foreign Application Priority Data**

Oct. 31, 2003 (JP) ..... 2003-032265

(51) **LOC (7) Cl.** ..... **16-05**

(52) **U.S. Cl.** ..... **D16/243; D16/202; D16/219**

(58) **Field of Search** ..... **D16/200-206, D16/208, 209, 217, 218, 219, 243; 348/373-376; 358/906, 909.1; 396/6, 535, 536-541**

(56) **References Cited**

**U.S. PATENT DOCUMENTS**

5,748,990 A \* 5/1998 Smart et al. .... 396/6  
D395,441 S \* 6/1998 Lee et al. .... D16/217  
5,974,266 A \* 10/1999 DiRisio et al. .... 396/6  
D425,099 S \* 5/2000 Nakanishi ..... D16/243

D452,260 S \* 12/2001 Petravac et al. .... D16/219  
D475,073 S \* 5/2003 Omino ..... D16/202  
D491,593 S \* 6/2004 Haga ..... D16/202

\* cited by examiner

*Primary Examiner*—Adir Aronovich

(74) *Attorney, Agent, or Firm*—Young & Thompson

(57) **CLAIM**

The ornamental design for an electronic camera, as shown and described.

**DESCRIPTION**

FIG. 1 is a top, front and side perspective view of an electronic camera showing my new design;  
FIG. 2 is a front elevational view thereof;  
FIG. 3 is a rear elevational view thereof;  
FIG. 4 is a top plan view thereof;  
FIG. 5 is a bottom plan view thereof;  
FIG. 6 is a side elevational view thereof from the left of FIG. 2; and,  
FIG. 7 is a side elevational view thereof from the right of FIG. 2.

The portions of the electronic camera in broken lines are shown for illustrative purposes only and form no part of the claimed design.

**1 Claim, 4 Drawing Sheets**

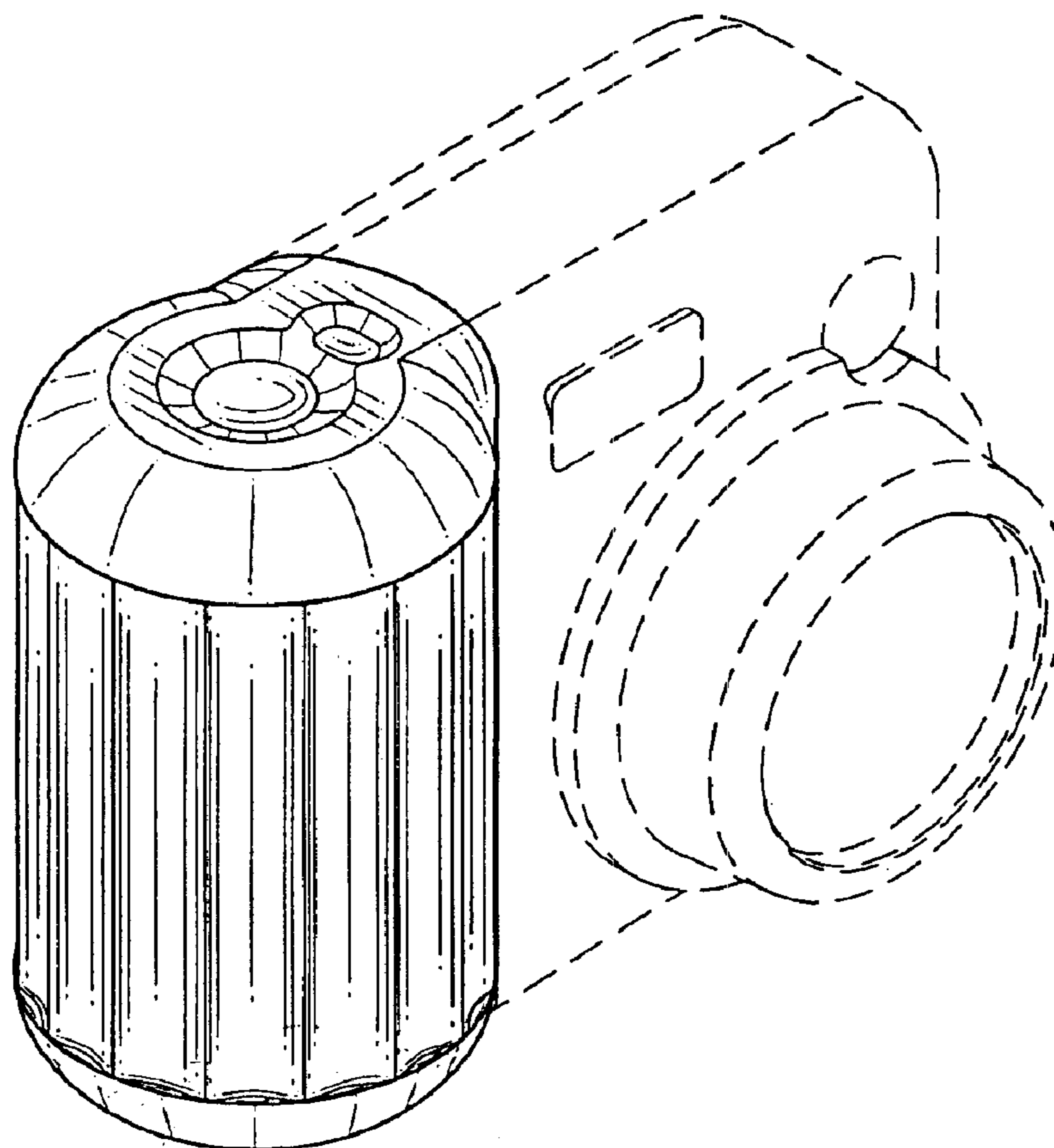


FIG.1

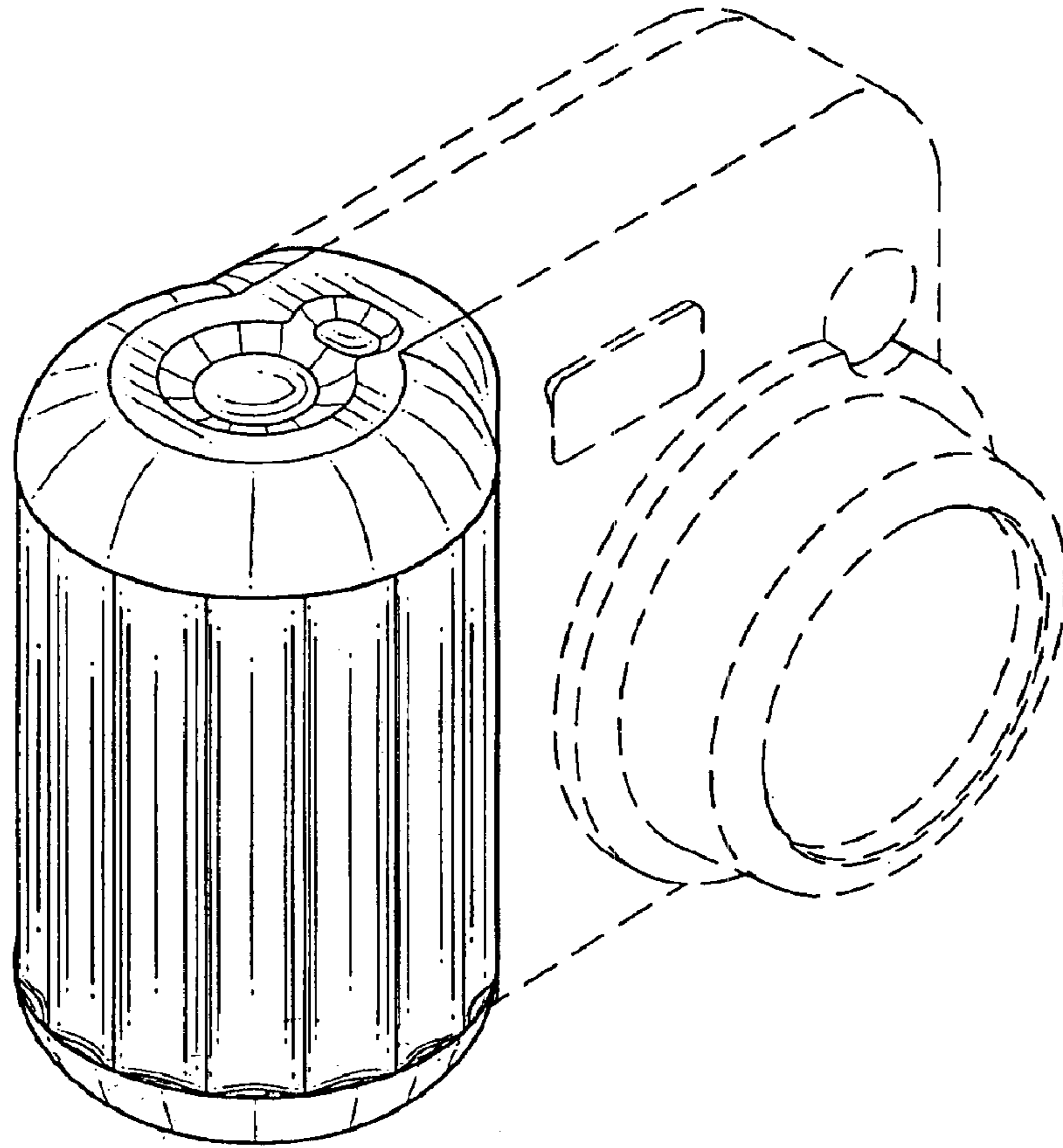


FIG.2

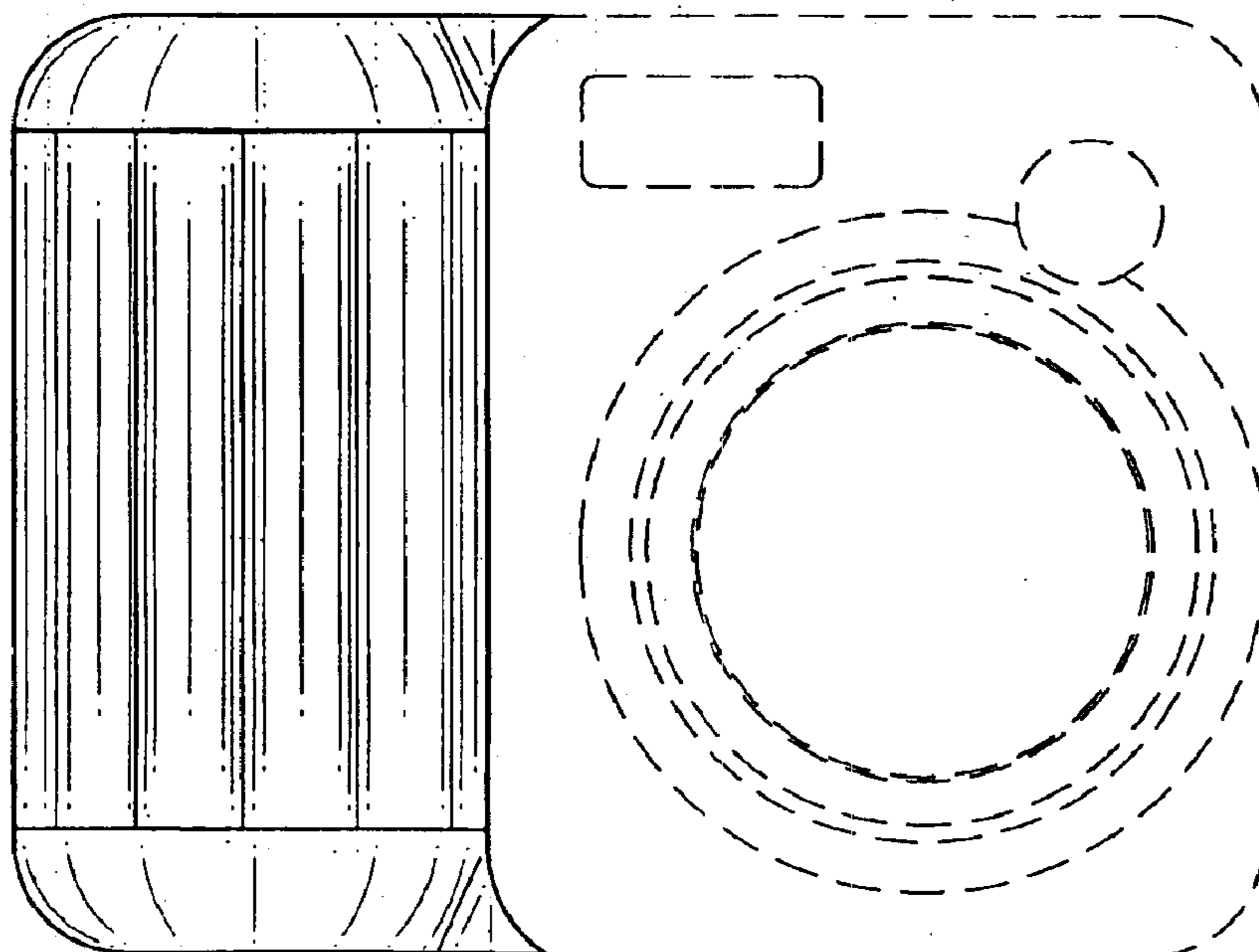


FIG.3

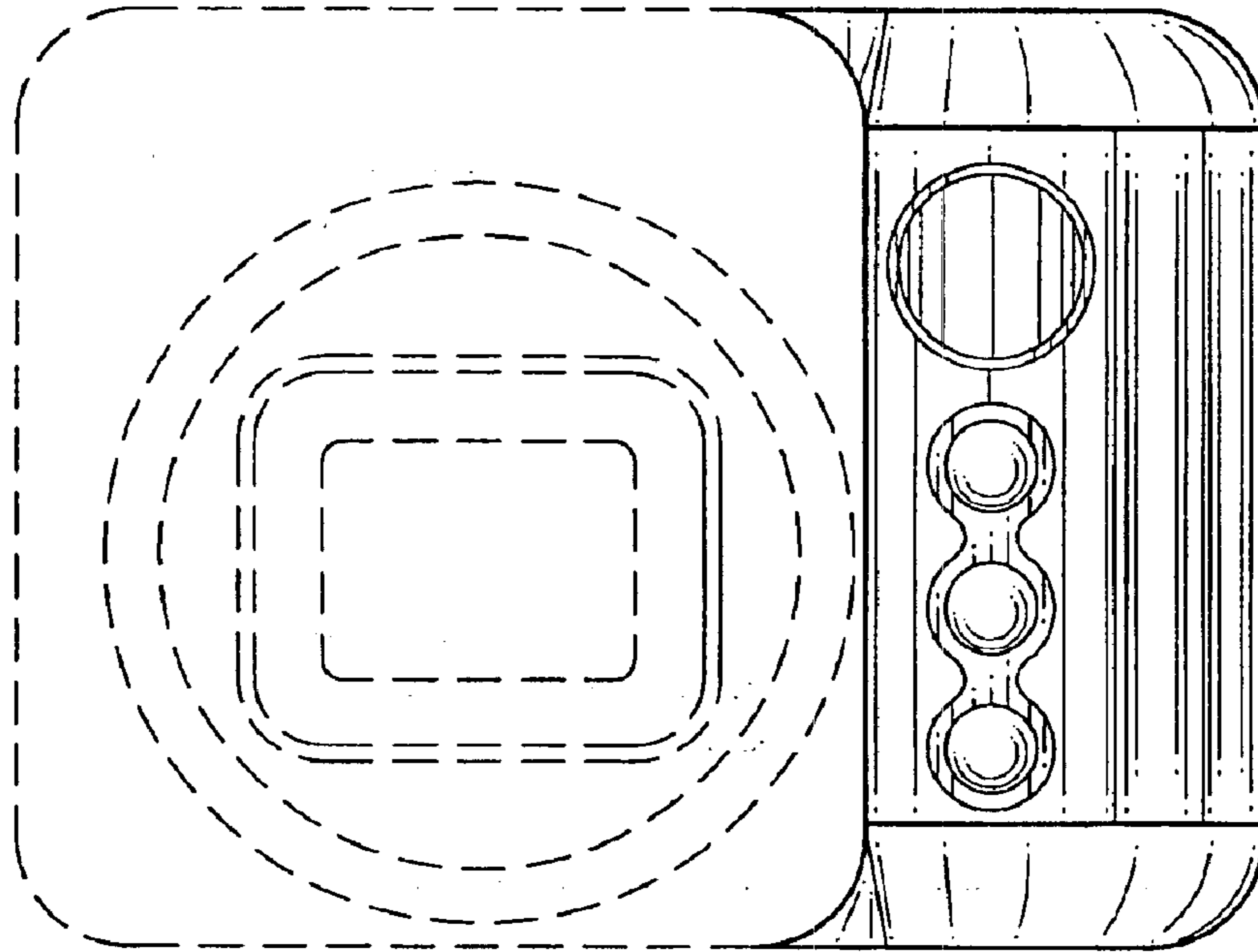


FIG.4

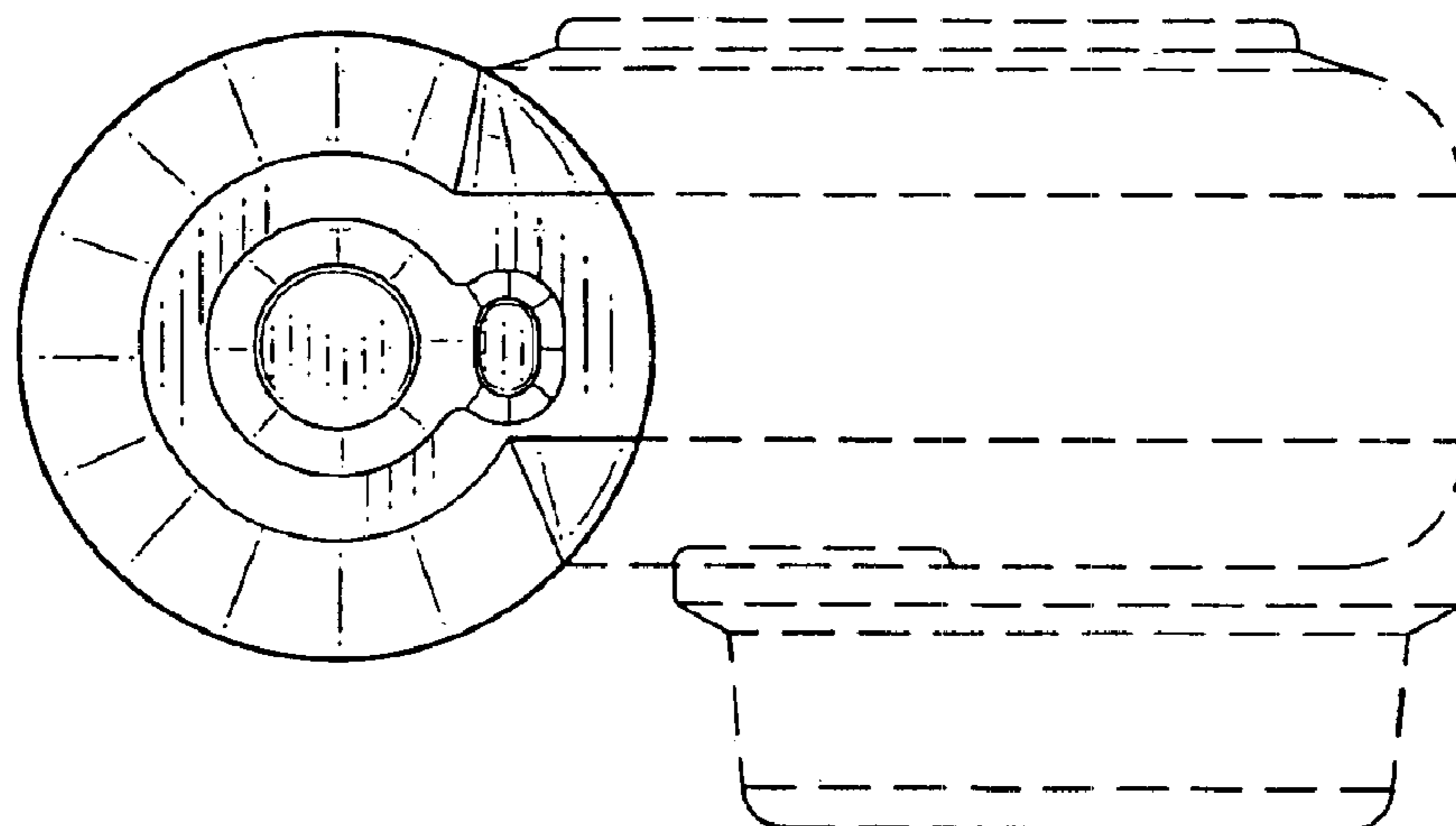


FIG.5

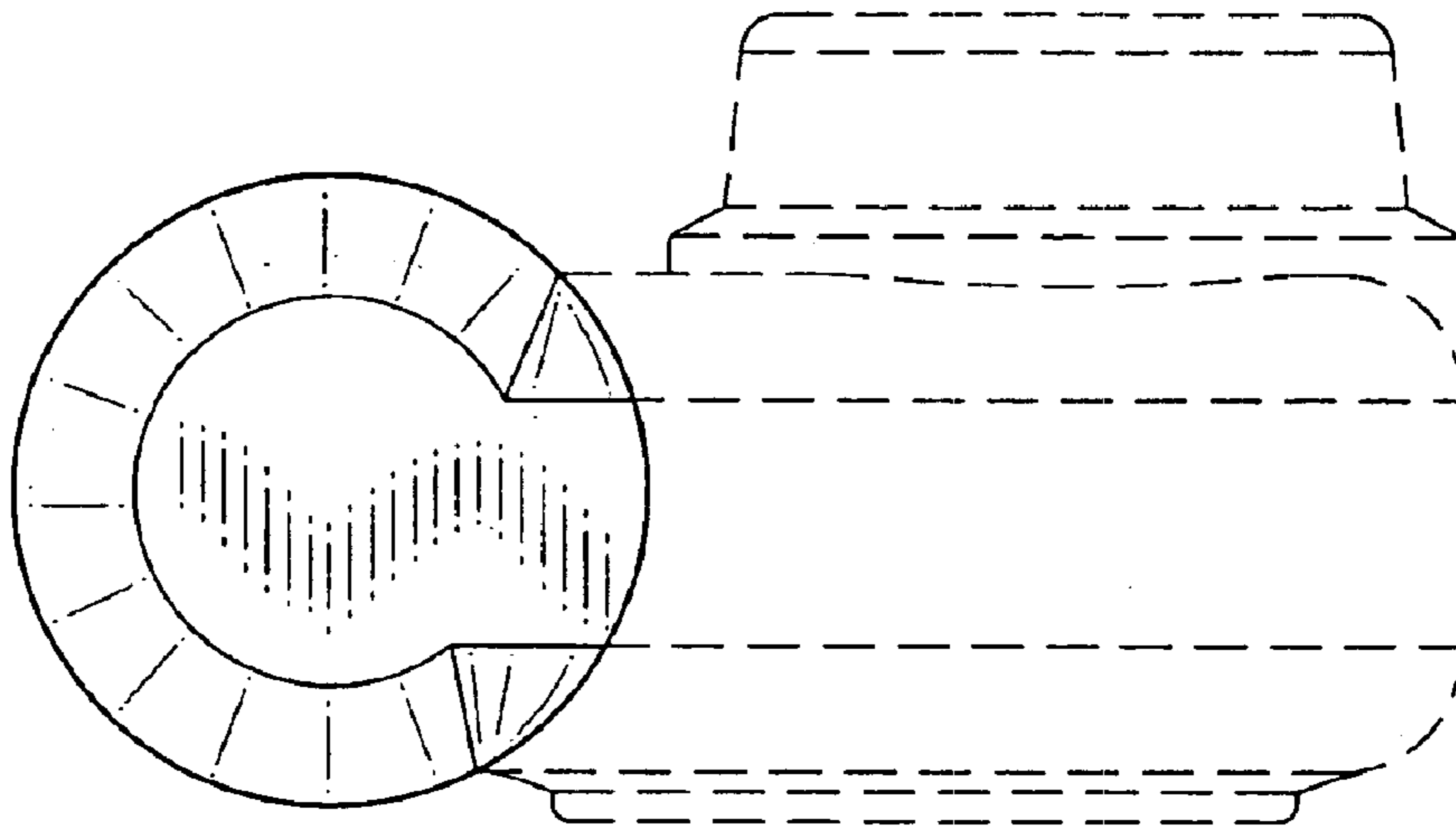


FIG.6

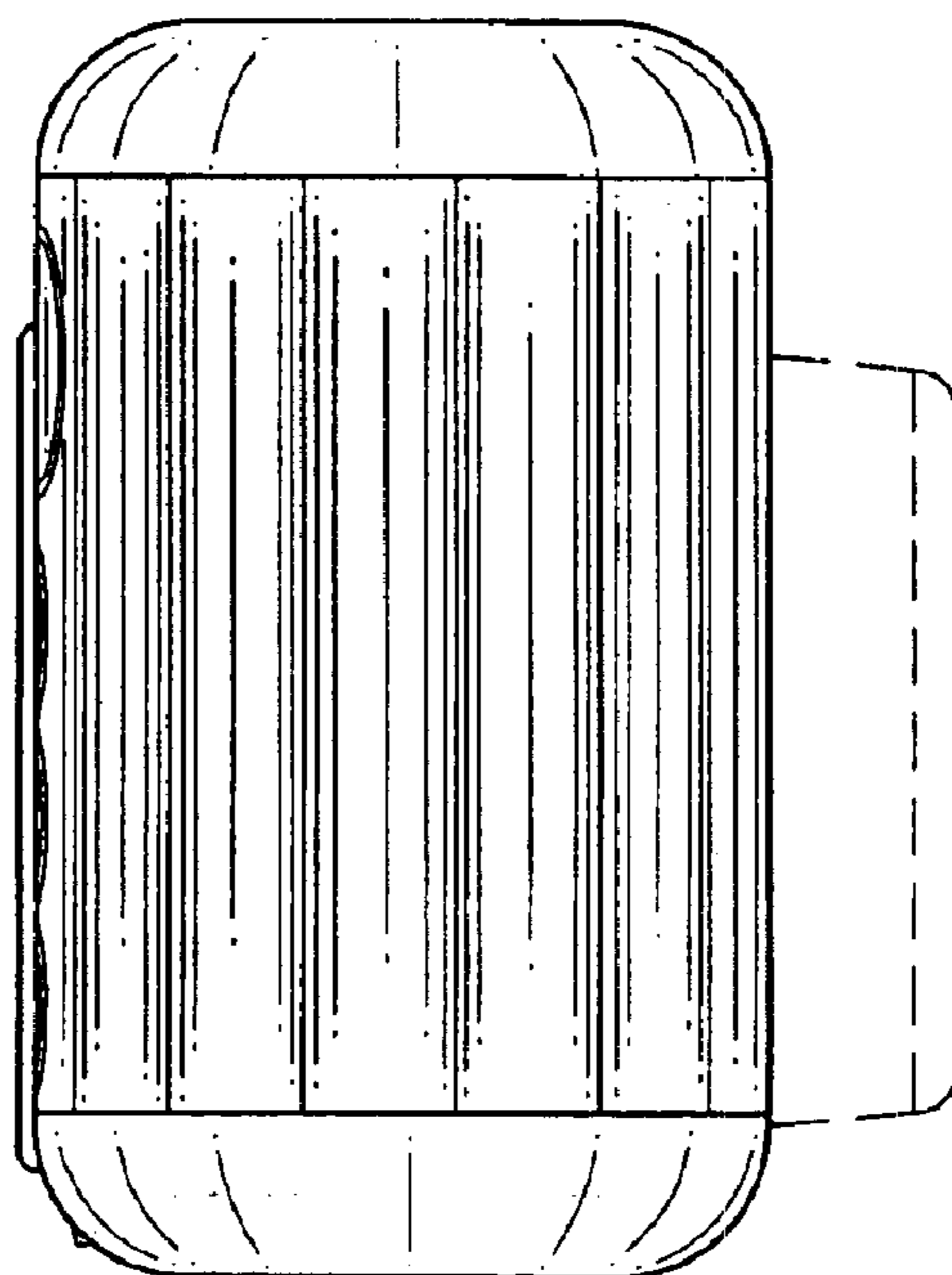


FIG. 7

