

US00D503184S

(12) **United States Design Patent**
Horikiri

(10) **Patent No.:** **US D503,184 S**
(45) **Date of Patent:** **** Mar. 22, 2005**

- (54) **ELECTRONIC CAMERA**
- (75) **Inventor:** **Kazuhisa Horikiri, Tokyo (JP)**
- (73) **Assignee:** **Fuji Photo Film Co., Ltd., Kanagawa (JP)**
- (**) **Term:** **14 Years**
- (21) **Appl. No.:** **29/200,421**
- (22) **Filed:** **Feb. 27, 2004**
- (30) **Foreign Application Priority Data**
Sep. 30, 2003 (JP) 2003-028704
- (51) **LOC (7) Cl.** **16-05**
- (52) **U.S. Cl.** **D16/219; D16/202**
- (58) **Field of Search** **D16/200-206,**
D16/208, 218, 219; 348/373-376; 358/909.1;
396/535-541

- D479,547 S * 9/2003 Nagayama D16/202
- D484,902 S * 1/2004 Baba D16/202
- 6,704,506 B2 * 3/2004 Sasagawa 348/373

* cited by examiner

Primary Examiner—Adir Aronovich
(74) *Attorney, Agent, or Firm*—Young & Thompson

(57) **CLAIM**

The ornamental design for an electronic camera, as shown and described.

DESCRIPTION

FIG. 1 is a top, front and side perspective view of an electronic camera showing my new design; FIG. 2 is a front elevational view thereof; FIG. 3 is a top plan view thereof; FIG. 4 is a side elevational view thereof from the right of FIG. 2; FIG. 5 is a bottom plan view thereof; and, FIG. 6 is a view similar to FIG. 1, but with the parts in a different position.

The material shown in broken line illustrates a possible environment in which the present invention may be found, but forms no part of the claimed design.

(56) **References Cited**

U.S. PATENT DOCUMENTS

- 6,434,337 B1 * 8/2002 Misawa 358/909.1
- D475,071 S * 5/2003 Nagano D16/202
- D475,072 S 5/2003 Yoshida D16/202

1 Claim, 3 Drawing Sheets

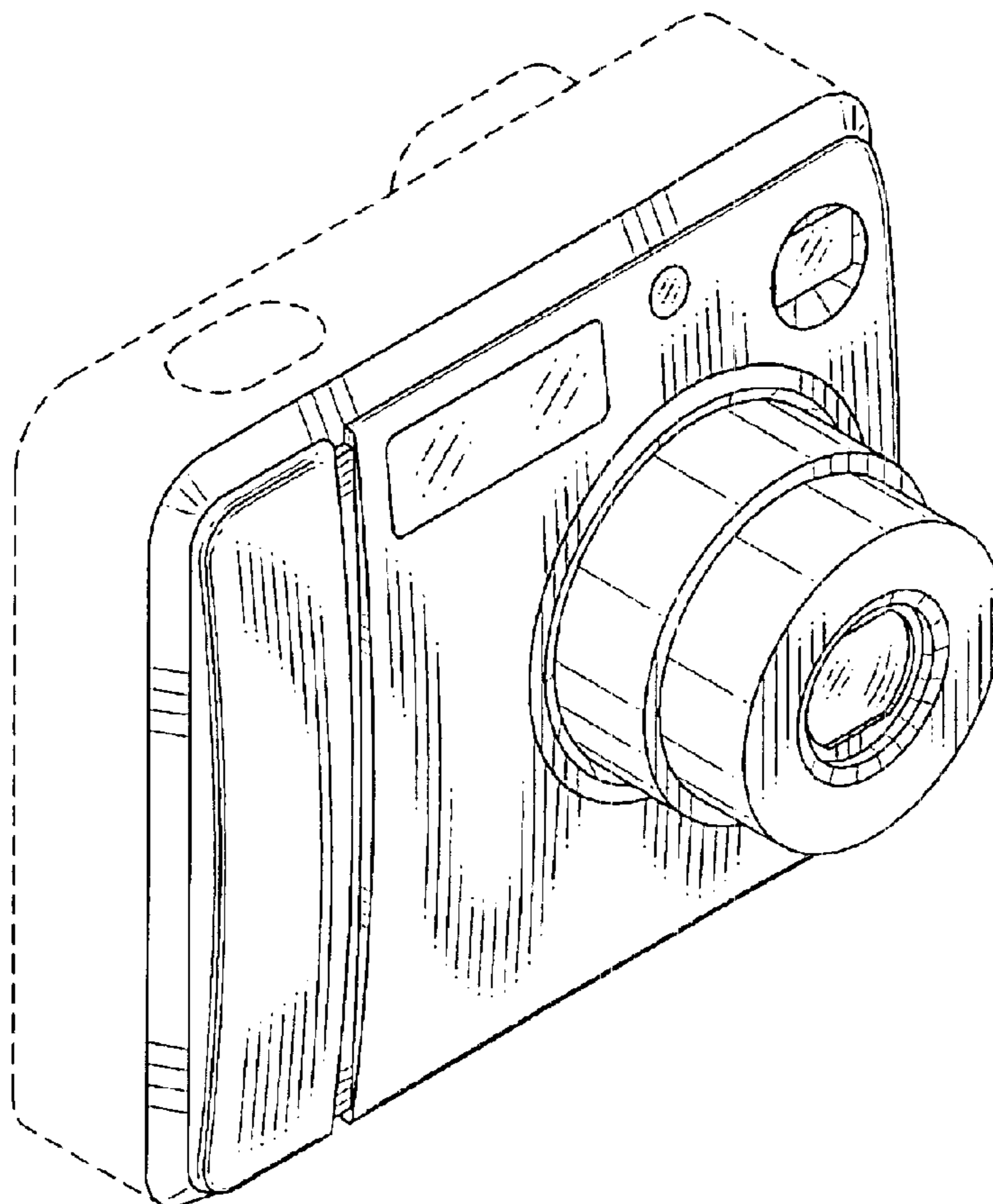


FIG. 1

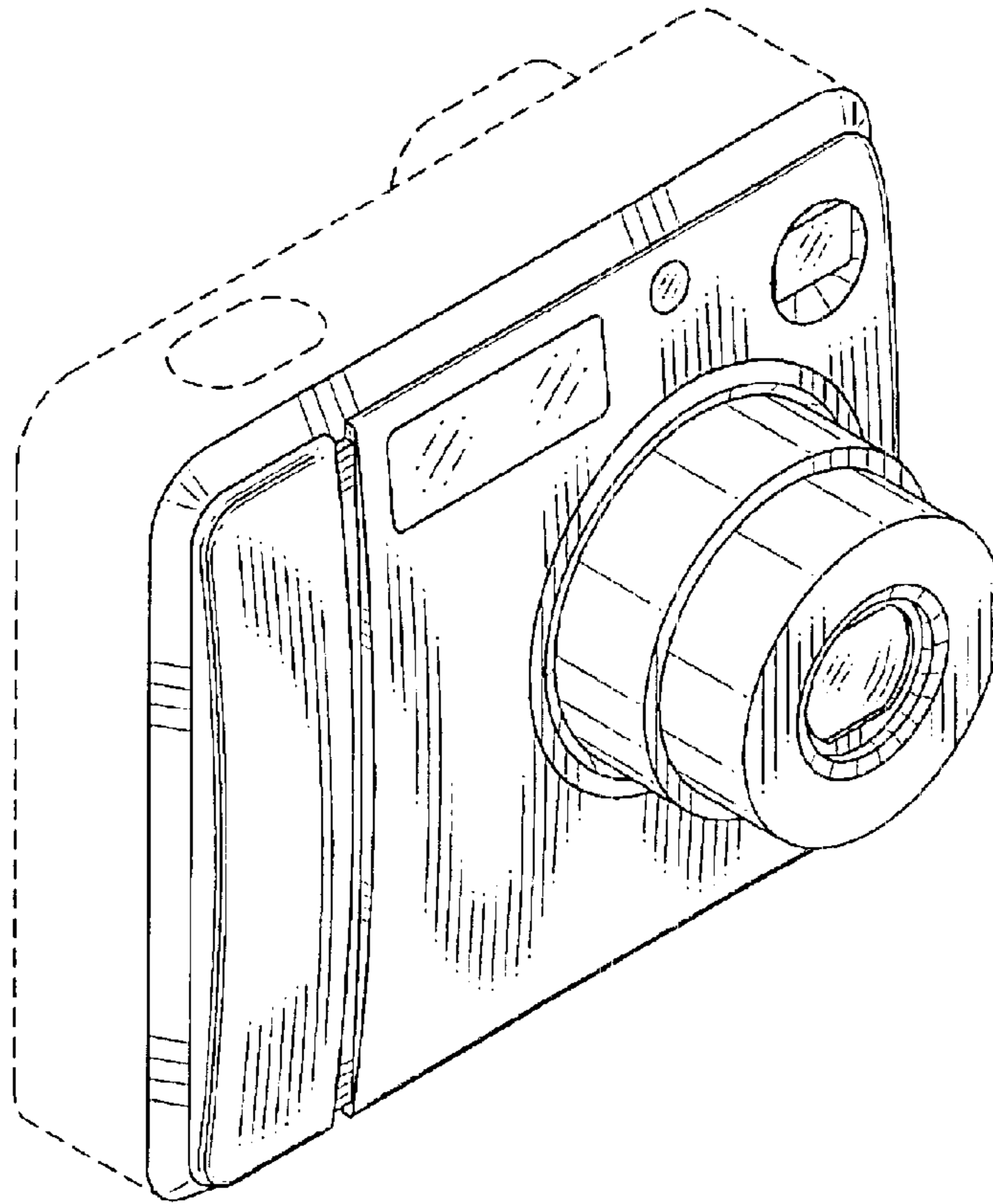


FIG. 2

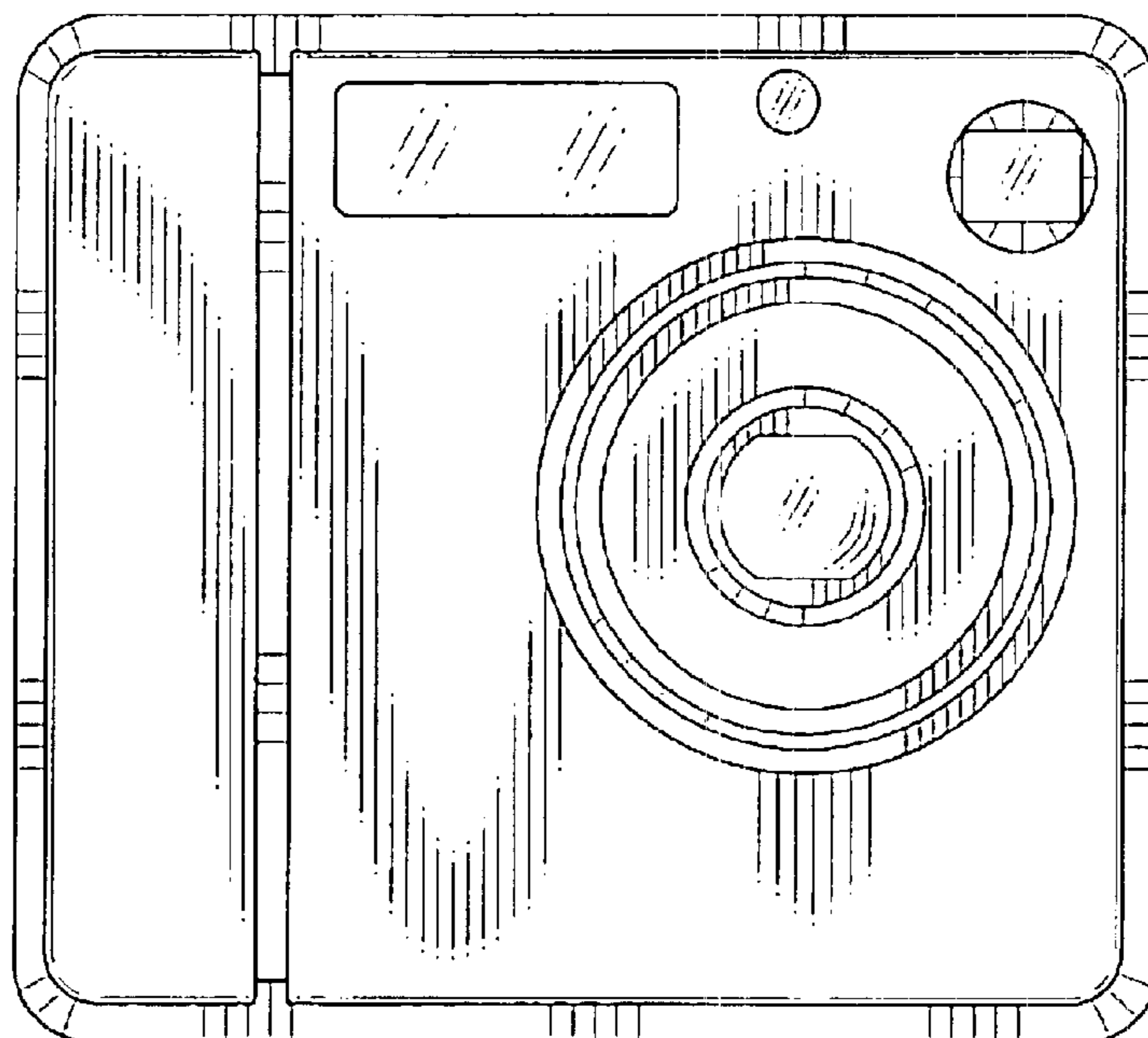


FIG.3

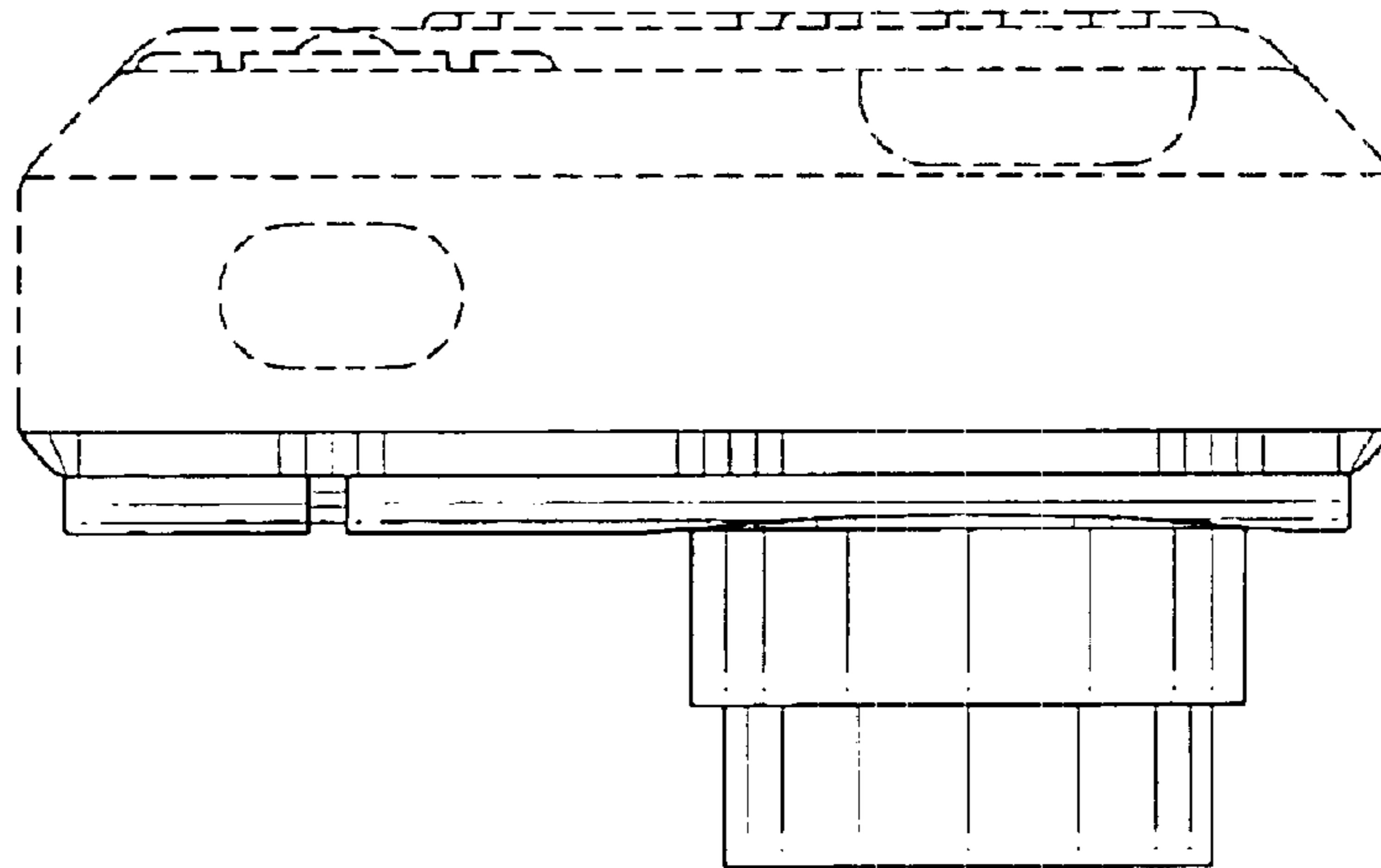


FIG.4

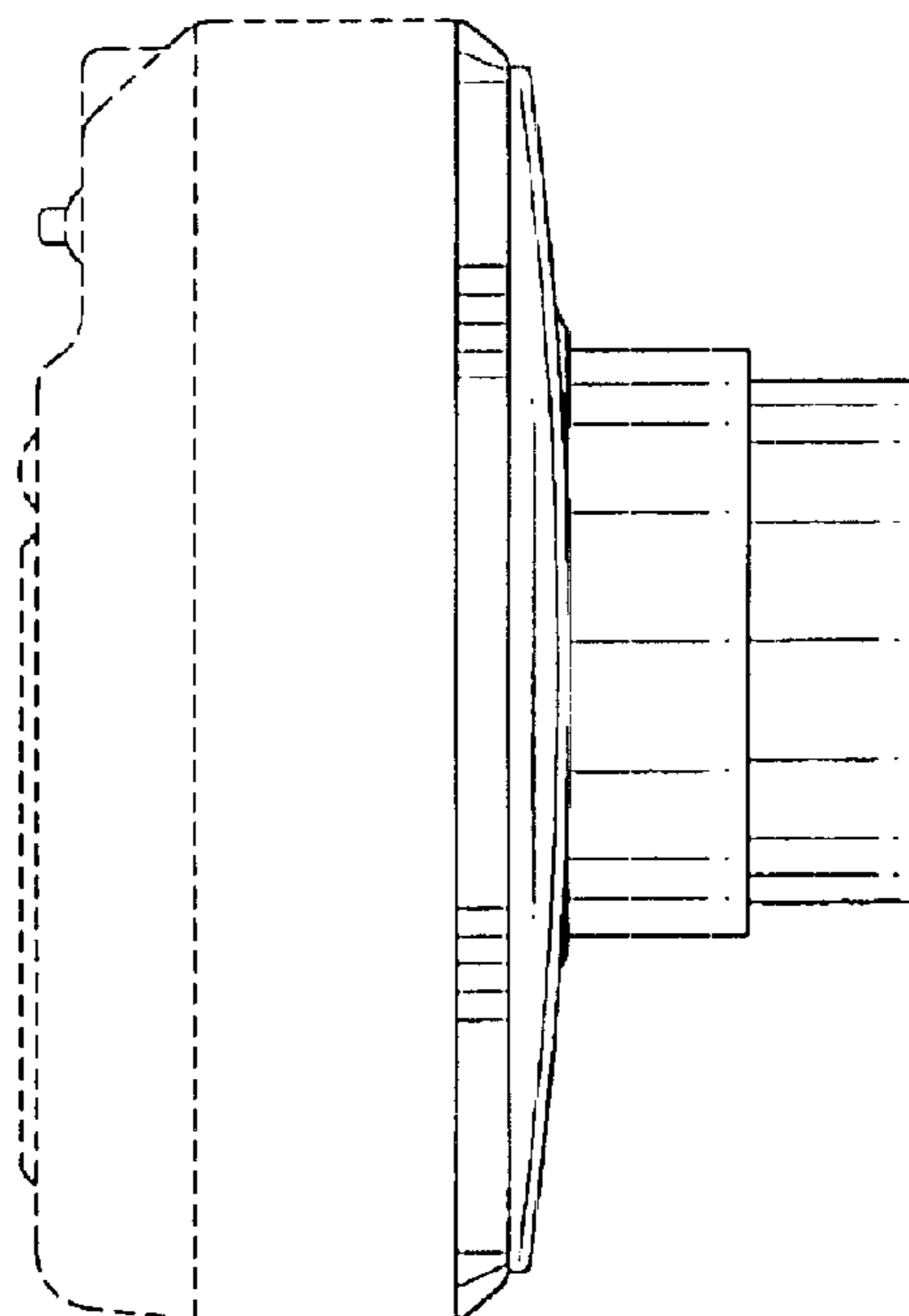


FIG.5

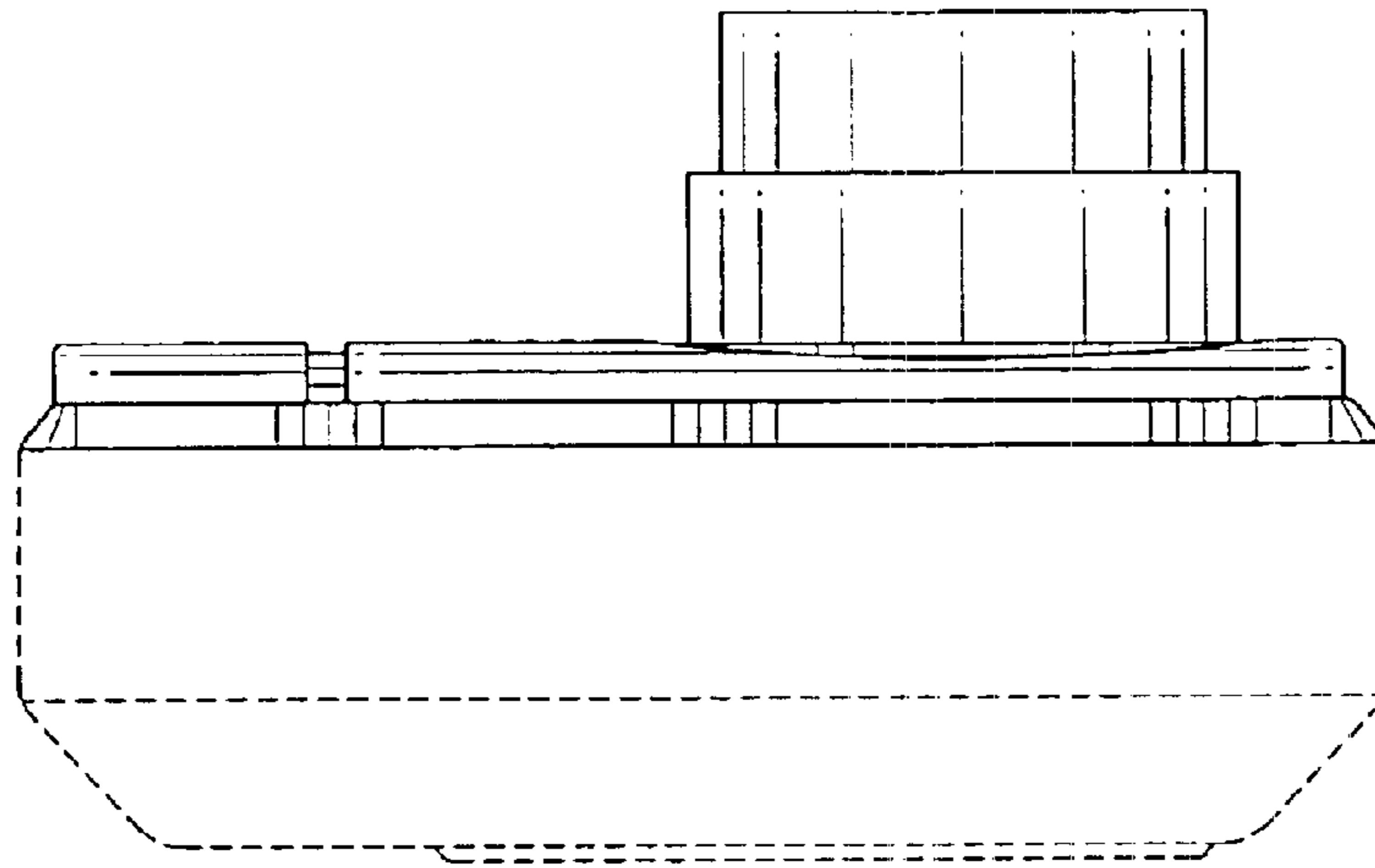


FIG.6

