

US00D503183S

(12) **United States Design Patent**  
**Arbuckle et al.**

(10) **Patent No.: US D503,183 S**  
(45) **Date of Patent: \*\* Mar. 22, 2005**

(54) **CAMERA ENCLOSURE AND MOUNT**

CN ZL02305983.4 11/2002

(75) Inventors: **James Arbuckle**, Fresno, CA (US);  
**Craig Andrews**, Fresno, CA (US)

**OTHER PUBLICATIONS**

(73) Assignee: **Pelco**, Clovis, CA (US)

Product Specification—Spectra III SE Series Dome Systems, 6 pages, reproduced from website <http://www.pelco.com>.

(\*\*) Term: **14 Years**

\* cited by examiner

(21) Appl. No.: **29/185,465**

*Primary Examiner*—Adir Aronovich

(22) Filed: **Jun. 27, 2003**

(74) *Attorney, Agent, or Firm*—Gunster, Yoakley & Stewart, P.A.

(51) **LOC (7) Cl. .... 16-01**

(52) **U.S. Cl. .... D16/203**

(57) **CLAIM**

(58) **Field of Search** ..... D16/200–205,  
D16/208, 218; 348/143, 151, 373–376;  
396/427, 433, 535–541

The ornamental design for a camera enclosure and mount, as shown and described.

(56) **References Cited**

**DESCRIPTION**

**U.S. PATENT DOCUMENTS**

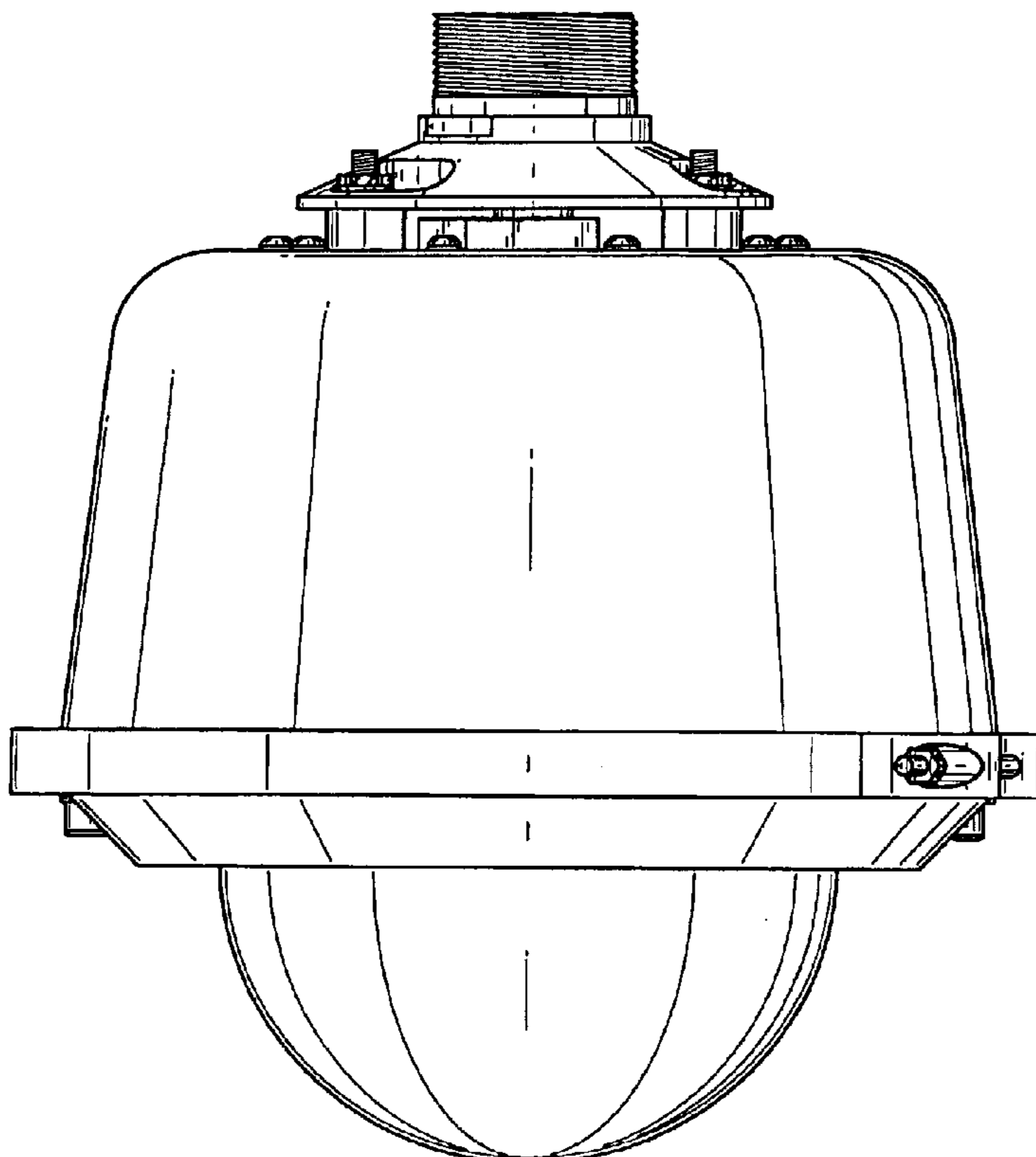
D414,504 S	*	9/1999	Madden	.....	D16/203
6,061,087 A	*	5/2000	Schieltz et al.	.....	348/151
6,322,258 B1	*	11/2001	Ryan et al.	.....	396/427
D457,904 S	*	5/2002	Toste et al.	.....	D16/203
D473,887 S	*	4/2003	Jones et al.	.....	D16/203
6,735,382 B2	*	5/2004	Schneider	.....	348/143

FIG. 1 is a front elevational view of a camera enclosure and mount showing our new design;  
FIG. 2 is a rear elevational view thereof;  
FIG. 3 is a left side elevational view thereof;  
FIG. 4 is a right side elevational view thereof;  
FIG. 5 is a top plan view thereof; and,  
FIG. 6 is a bottom plan view thereof.

**FOREIGN PATENT DOCUMENTS**

CN ZL02305982.6 11/2002

**1 Claim, 6 Drawing Sheets**



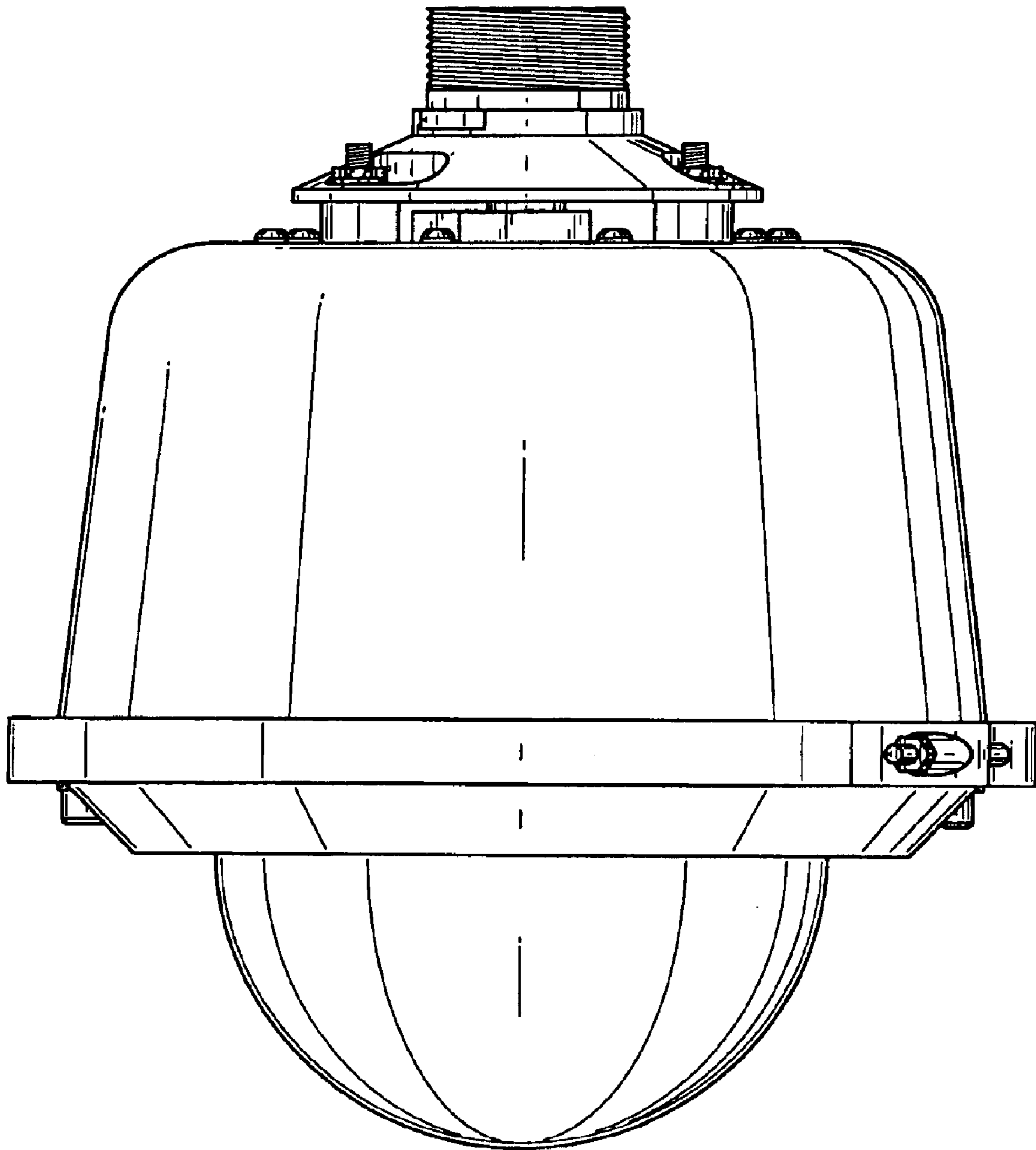


FIG. 1

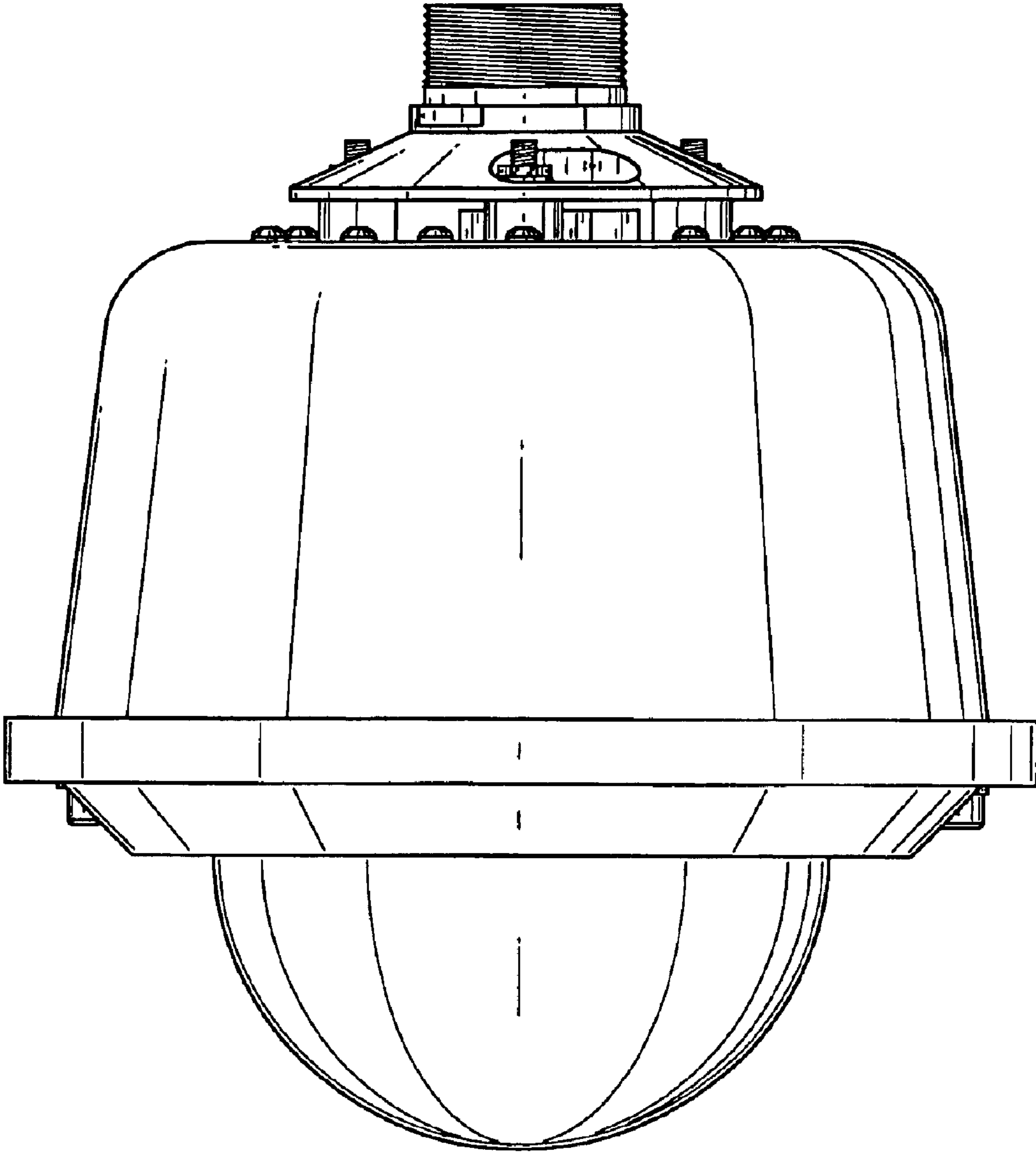


FIG. 2

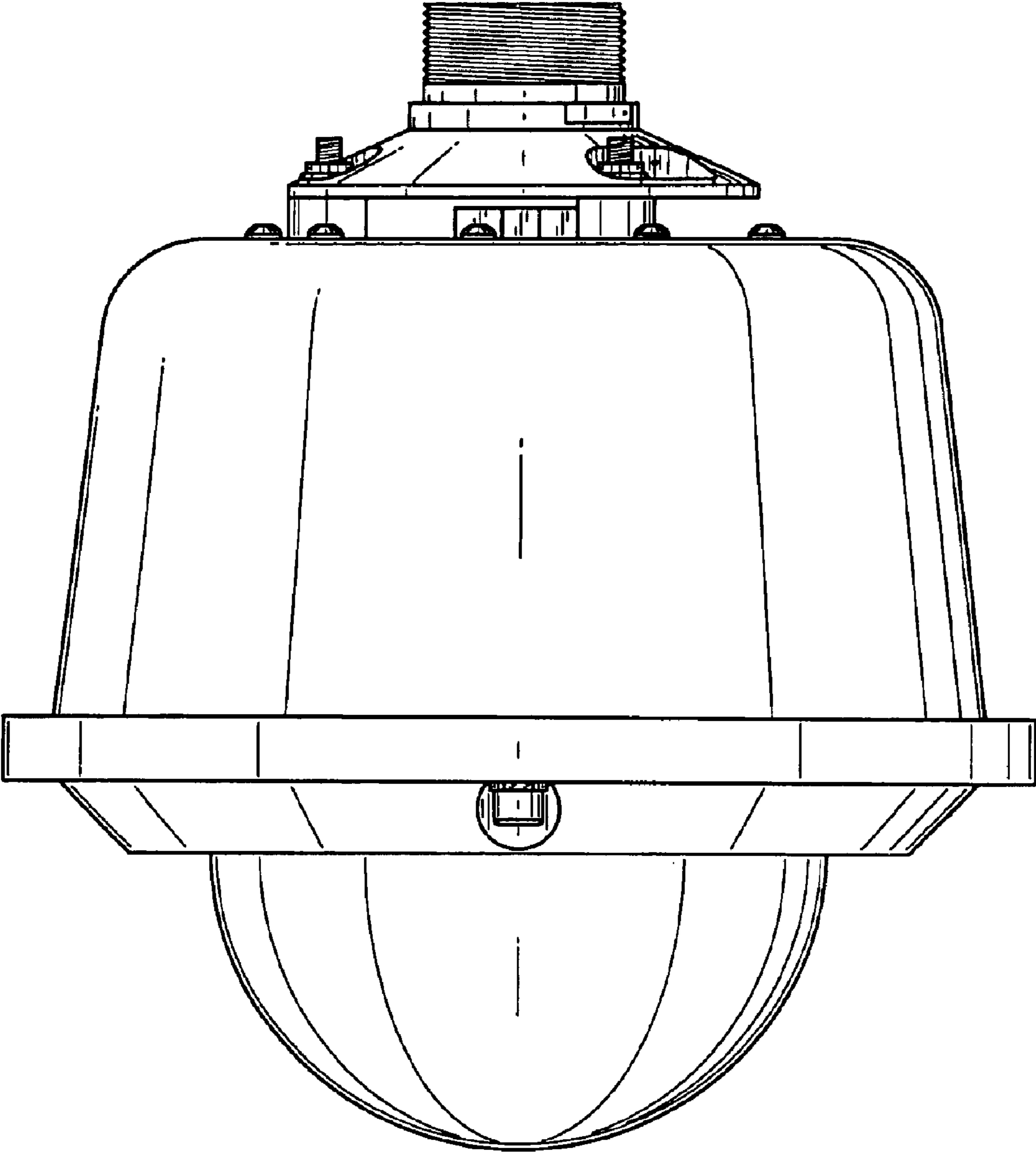


FIG. 3

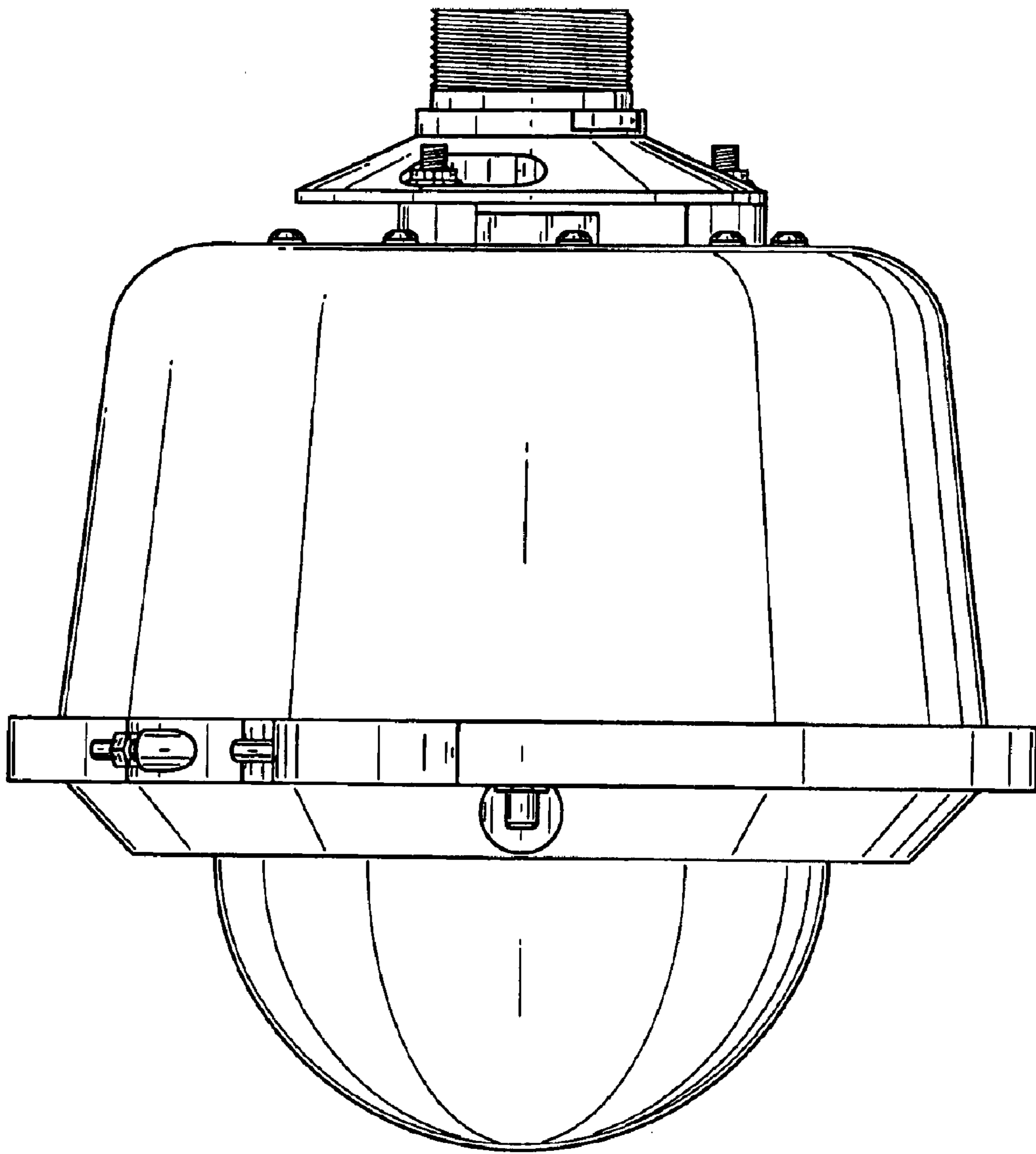


FIG. 4

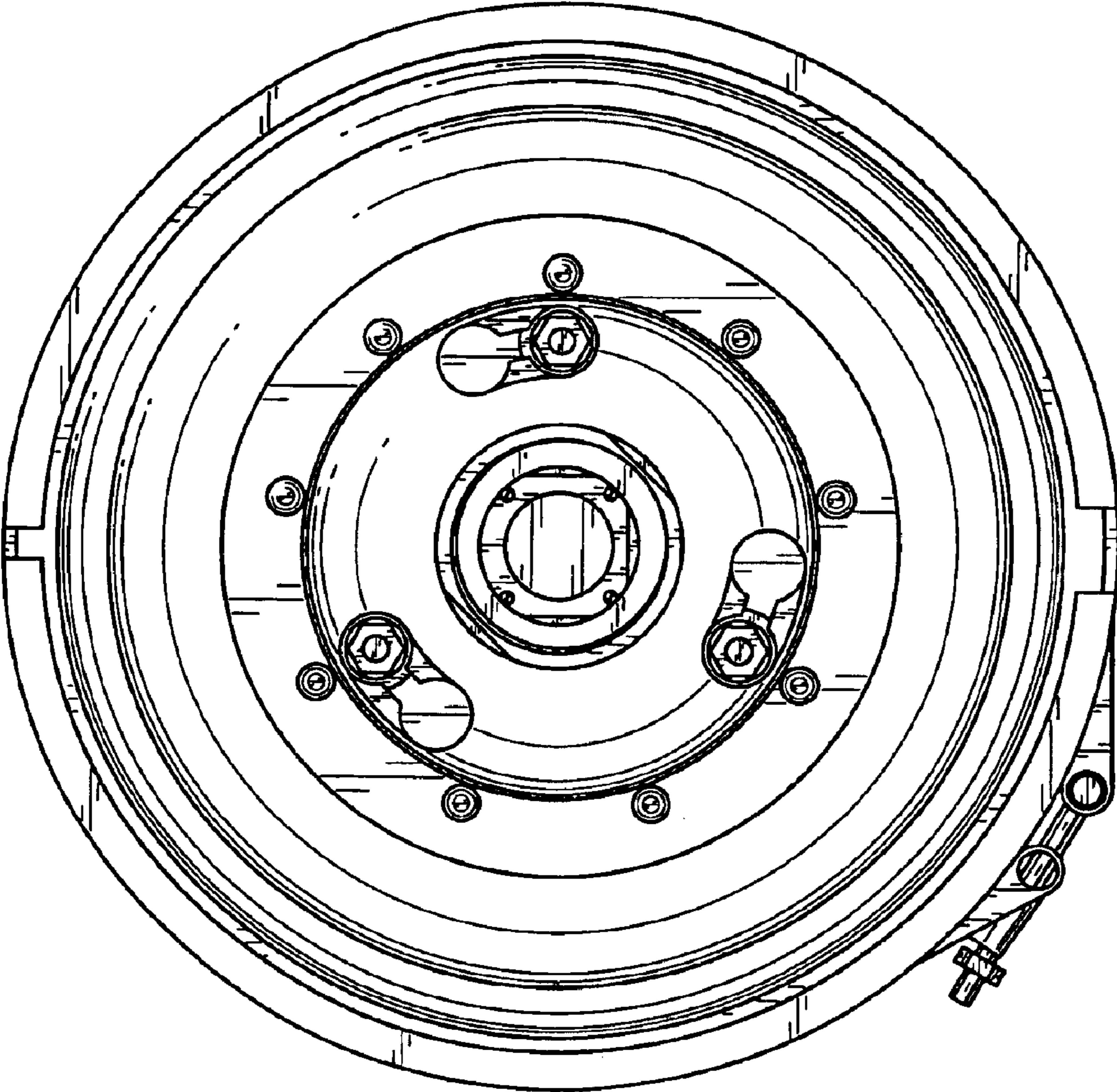


FIG. 5



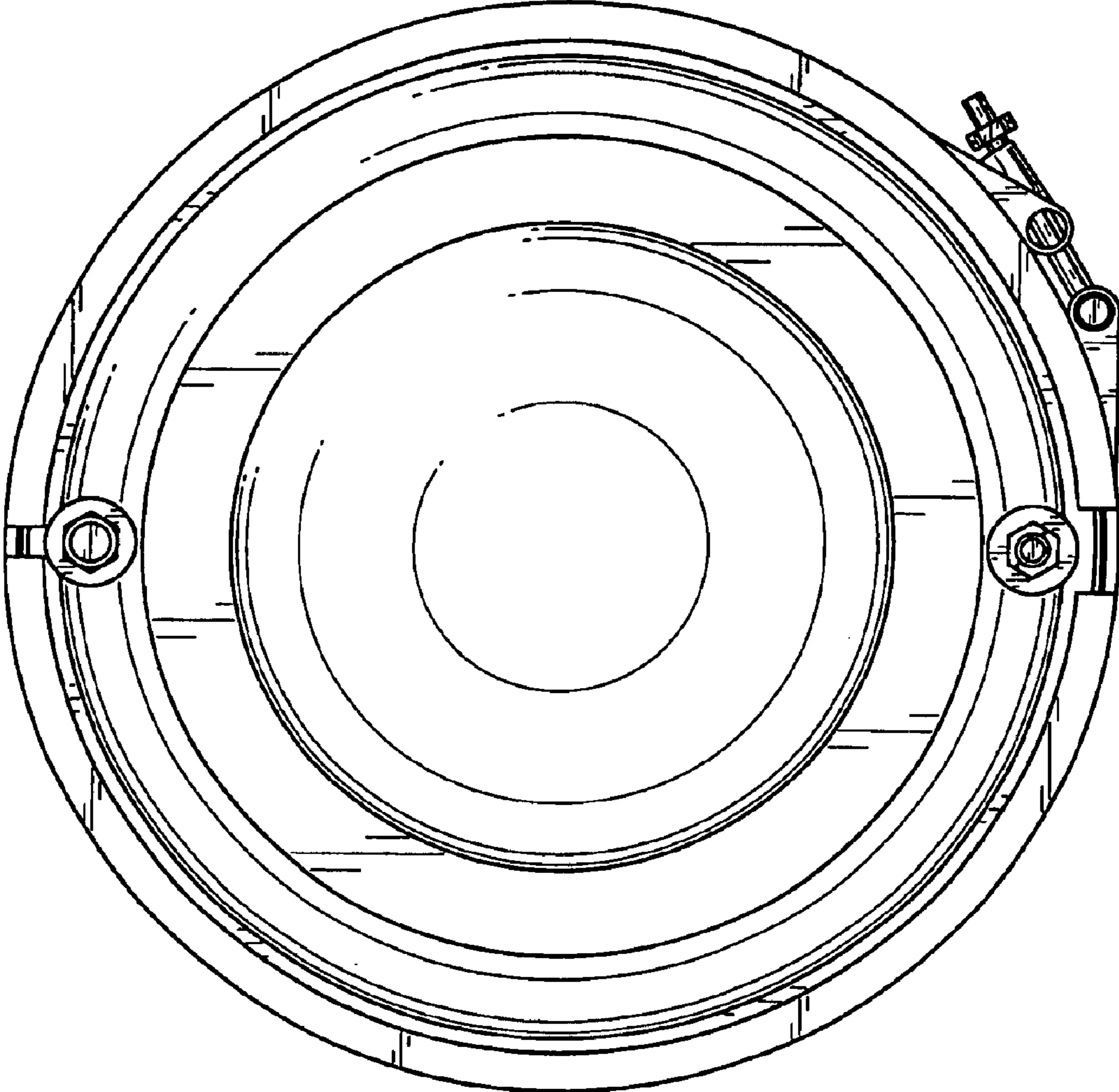


FIG. 6