



US00D503180S

(12) **United States Design Patent** (10) **Patent No.:** **US D503,180 S**
Kuo (45) **Date of Patent:** **** Mar. 22, 2005**

(54) **HOUSING OF WOOD MACHINE**

(76) Inventor: **Shun-lung Kuo**, No. 53, Jong-Jenq Street, Shin-Shen Hsiang, Taichung Hsien (TW)

(**) Term: **14 Years**

(21) Appl. No.: **29/194,107**

(22) Filed: **Nov. 20, 2003**

(51) **LOC (7) Cl.** **15-09**

(52) **U.S. Cl.** **D15/130**

(58) **Field of Search** D15/130; 82/112-121, 82/132, 148, 162, 142-143, 903; 144/16, 114; 142/7

(56) **References Cited**

U.S. PATENT DOCUMENTS

D349,293 S * 8/1994 Rhoton D15/130

* cited by examiner

Primary Examiner—Antoine D. Davis
(74) *Attorney, Agent, or Firm*—Dennison, Schultz, Dougherty & MacDonald

(57) **CLAIM**

The ornamental design for housing of wood machine, shown and described.

DESCRIPTION

FIG. 1 is a perspective view showing the front, right side and top of my new design for a housing of wood machine.

FIG. 2 is a front view thereof;

FIG. 3 is a rear view thereof;

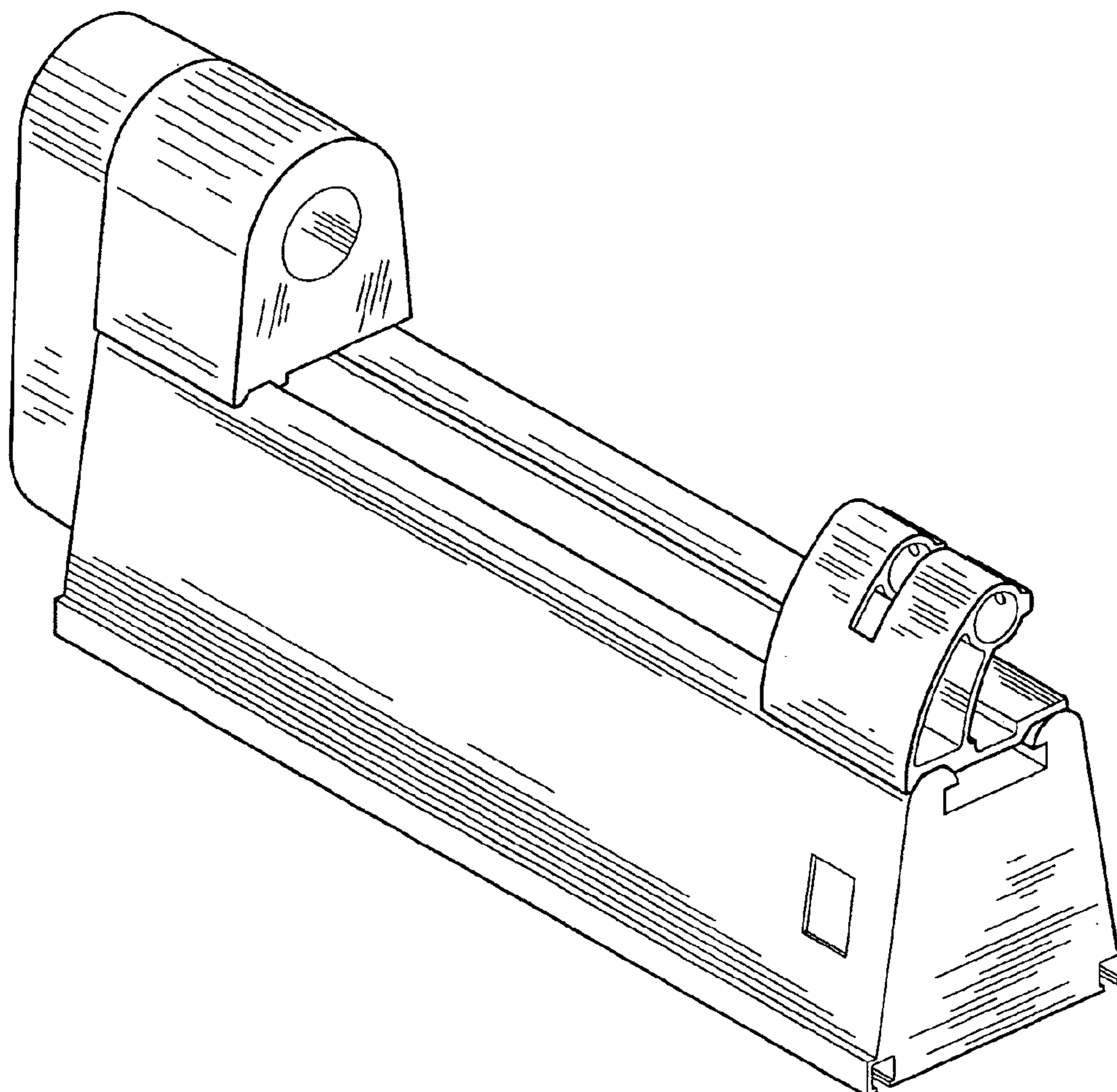
FIG. 4 is a left side view thereof;

FIG. 5 is a right side view thereof;

FIG. 6 is a top view thereof; and,

FIG. 7 is a bottom view thereof.

1 Claim, 5 Drawing Sheets



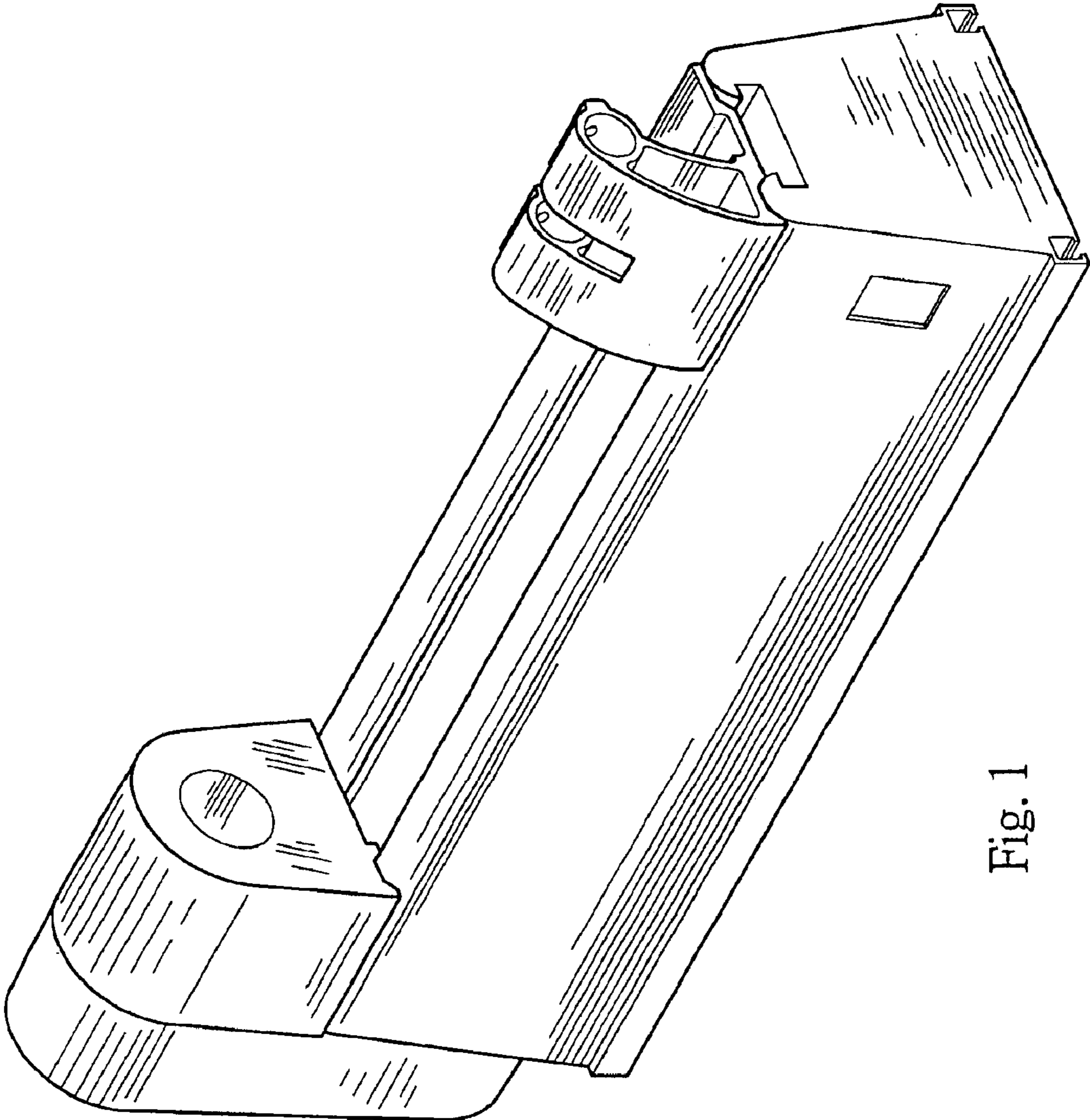


Fig. 1

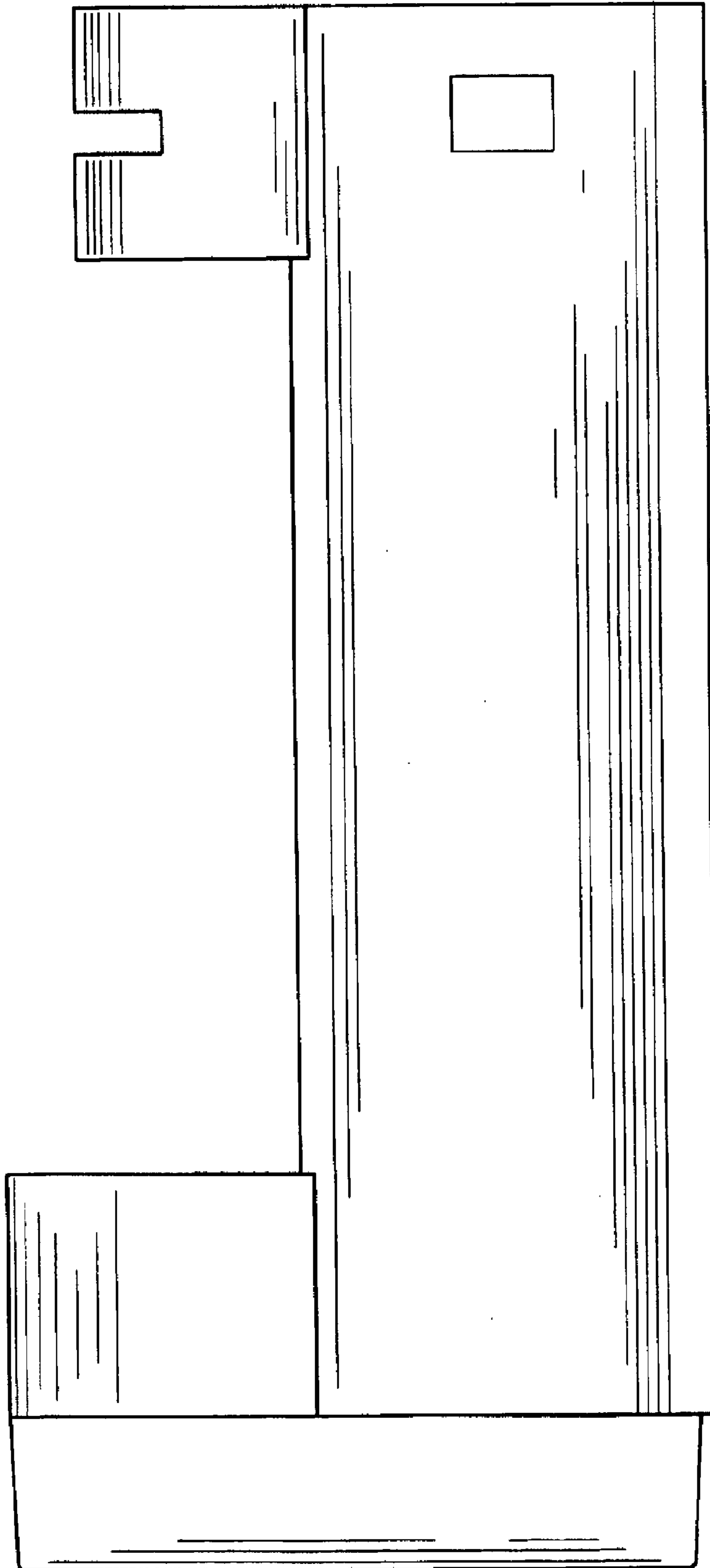


Fig. 2

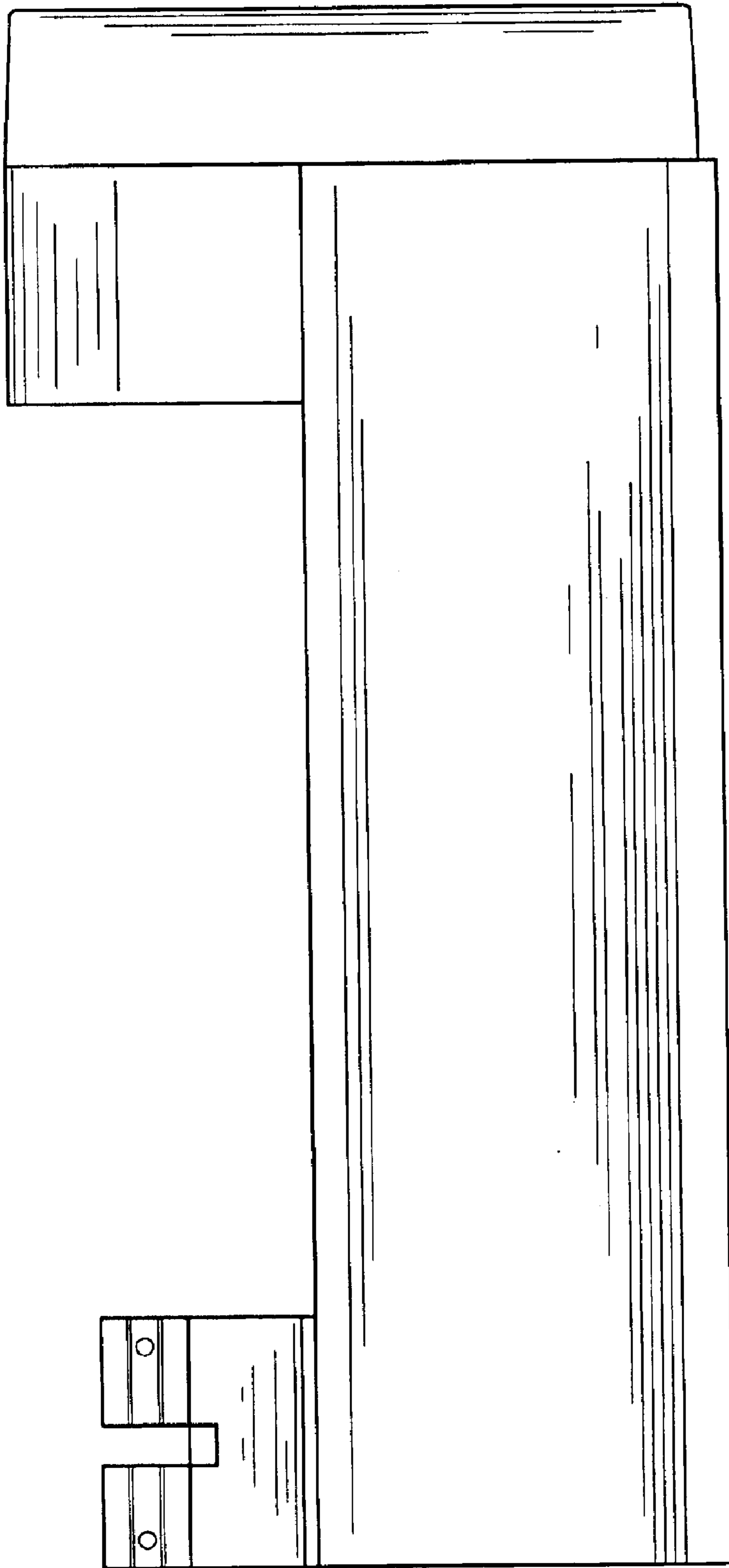


Fig. 3

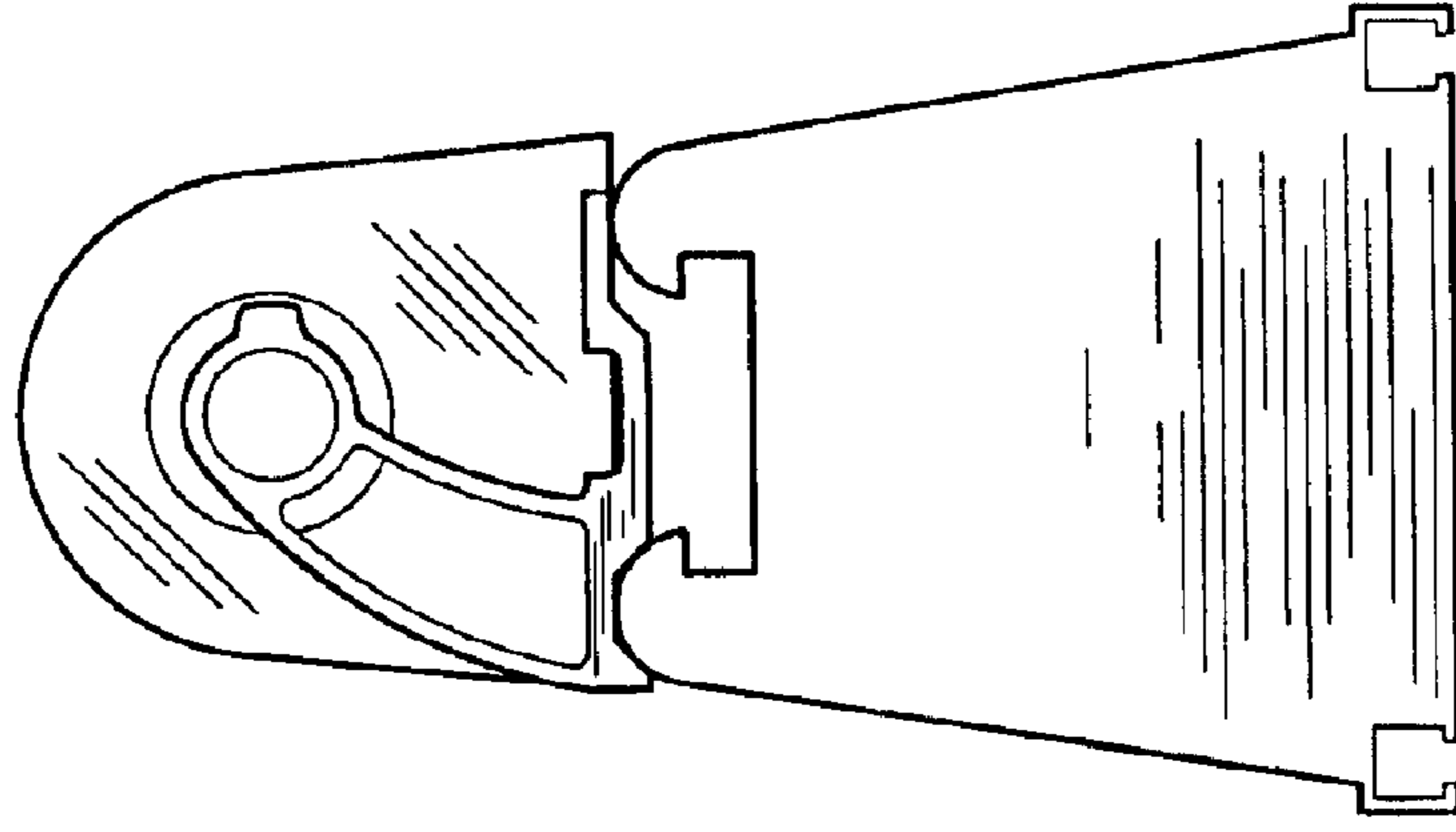


Fig. 5

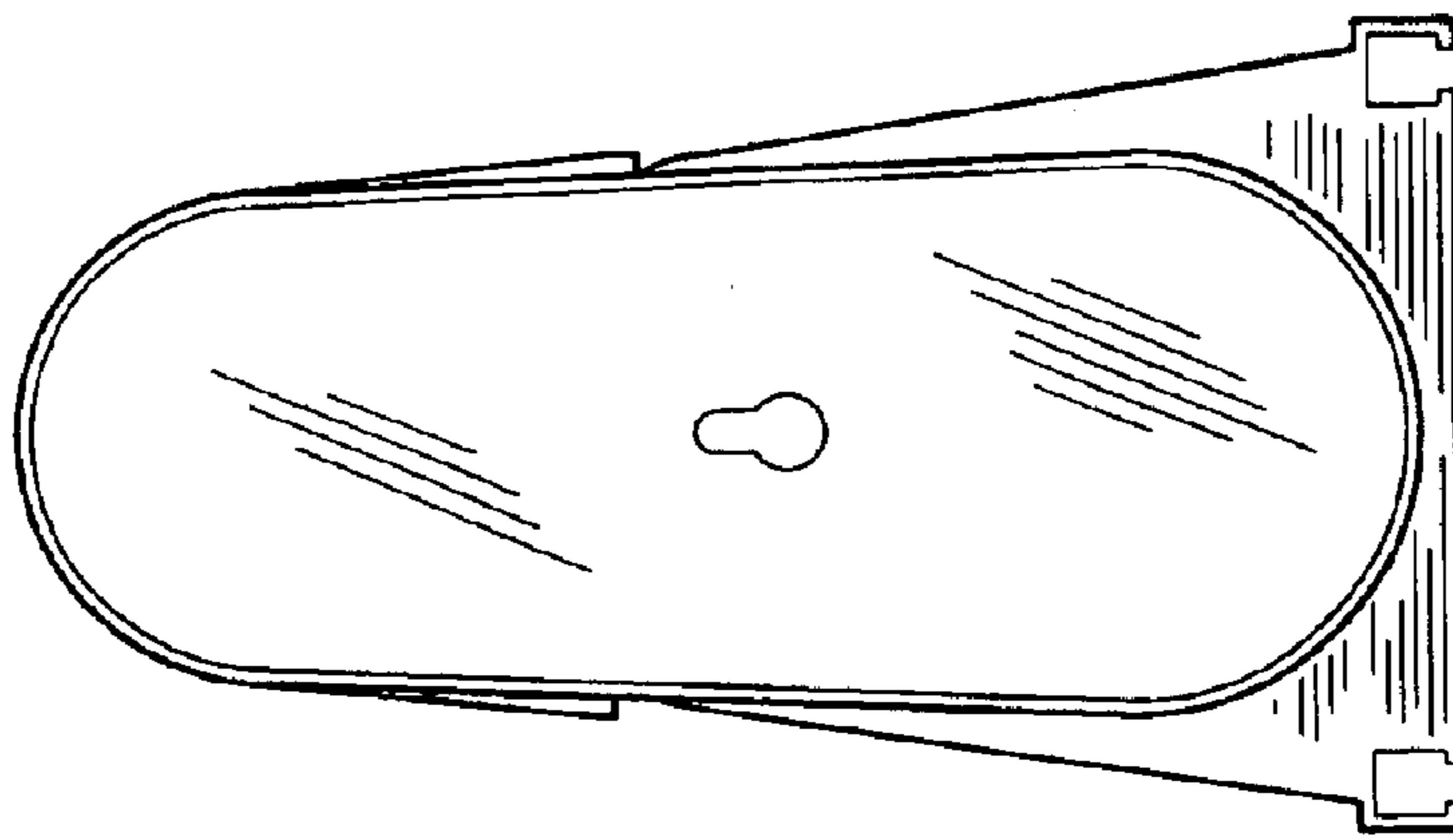


Fig. 4

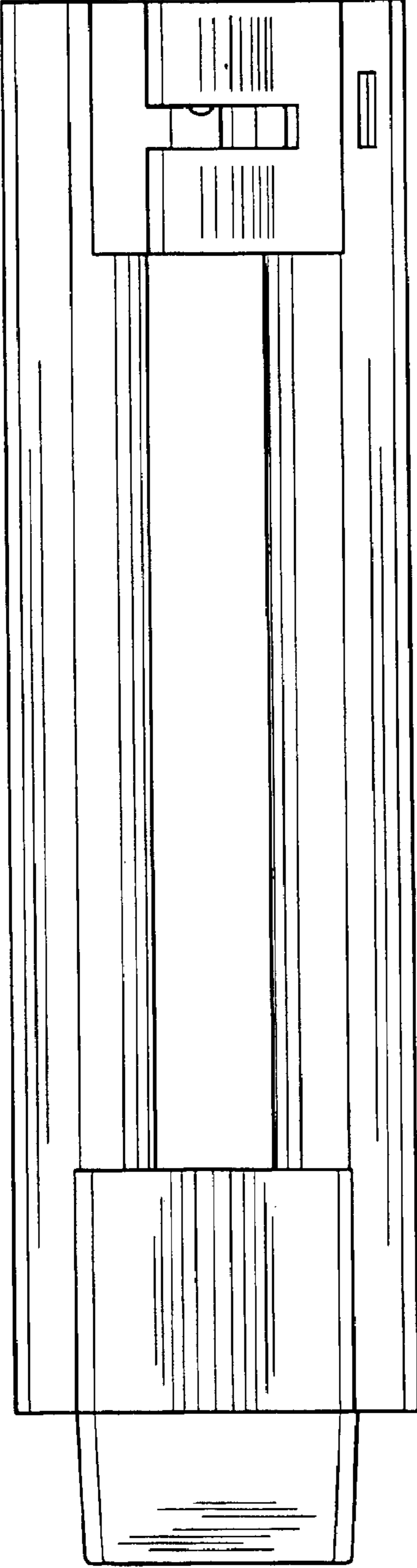


Fig. 6

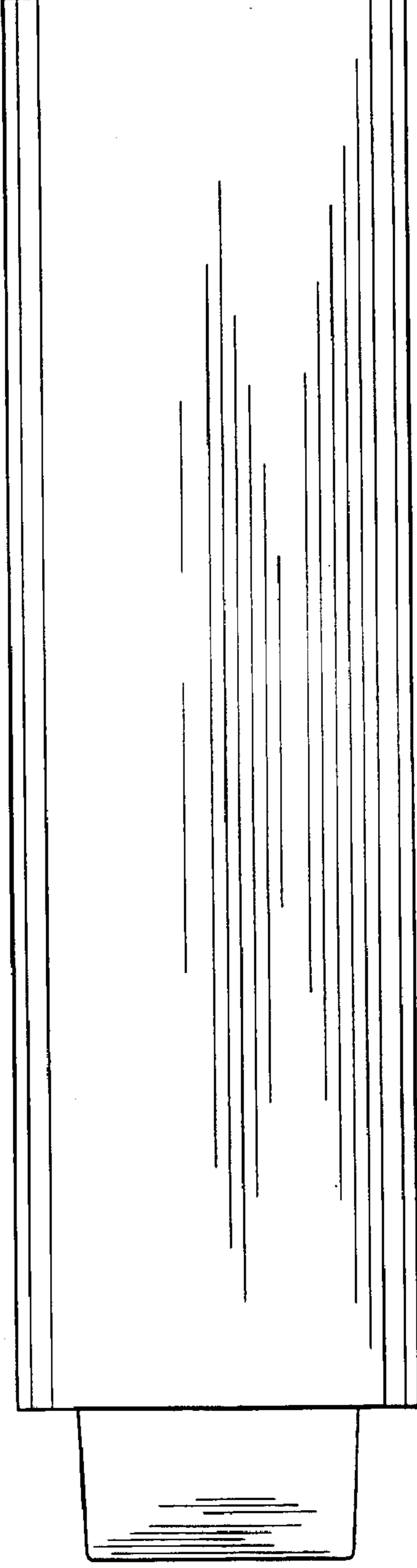


Fig. 7