

US00D503173S

(12) **United States Design Patent**  
**Hussaini et al.**

(10) **Patent No.:** **US D503,173 S**  
(45) **Date of Patent:** **\*\* Mar. 22, 2005**

(54) **PEDAL ASSEMBLY CONTROLLER FOR A VIDEO GAMING DEVICE**

(75) Inventors: **Saied Hussaini**, Miami, FL (US); **Marc Iacovelli**, Miami, FL (US)

(73) Assignee: **Intech, Inc.**, Miami, FL (US)

(\*\*) Term: **14 Years**

(21) Appl. No.: **29/193,772**

(22) Filed: **Nov. 14, 2003**

(51) **LOC (7) Cl.** ..... **14-02**

(52) **U.S. Cl.** ..... **D14/419; D14/412; D21/333**

(58) **Field of Search** ..... D14/400, 401,  
D14/419, 496, 412; D21/324, 333, 328;  
273/148 B; 463/1, 29-37, 46, 47; 345/156,  
161; 434/43, 45

(56) **References Cited**

**U.S. PATENT DOCUMENTS**

D326,117 S	*	5/1992	Barr et al.	.....	D14/419
5,148,152 A	*	9/1992	Stueckle et al.	.....	345/156
D333,324 S	*	2/1993	Michael	.....	D14/419
D339,612 S	*	9/1993	Carter et al.	.....	D14/419
D362,278 S	*	9/1995	Hayes	.....	D14/419
D368,496 S	*	4/1996	Seeger	.....	D14/419
5,551,701 A	*	9/1996	Bouton et al.	.....	463/36
5,841,426 A	*	11/1998	Dodson et al.	.....	345/163
D460,760 S	*	7/2002	Whitehorn et al.	.....	D14/419

6,739,974 B2 \* 5/2004 Kanno et al. .... 463/36

\* cited by examiner

*Primary Examiner*—Prabhakar Deshmukh

(74) *Attorney, Agent, or Firm*—Liniak, Berenato & White

(57) **CLAIM**

The ornamental design for a pedal assembly controller for a video gaming device, as shown and described.

**DESCRIPTION**

FIG. 1 is a top view of the pedal assembly controller for a video gaming device according to the present invention.

FIG. 2 is a bottom view of the pedal assembly controller for a video gaming device of FIG. 1.

FIG. 3 is a left side view of the pedal assembly controller for a video gaming device of FIG. 1.

FIG. 4 is a right side view of the pedal assembly controller for a video gaming device of FIG. 1.

FIG. 5 is a front view of the pedal assembly controller for a video gaming device of FIG. 1.

FIG. 6 is a rear view of the pedal assembly controller for a video gaming device Component of FIG. 1; and,

FIG. 7 is a perspective view of the pedal assembly controller for a video gaming device of FIG. 1.

The broken line of showing an electric conduit is for illustrative purpose only and forms no part of the claimed design.

**1 Claim, 7 Drawing Sheets**

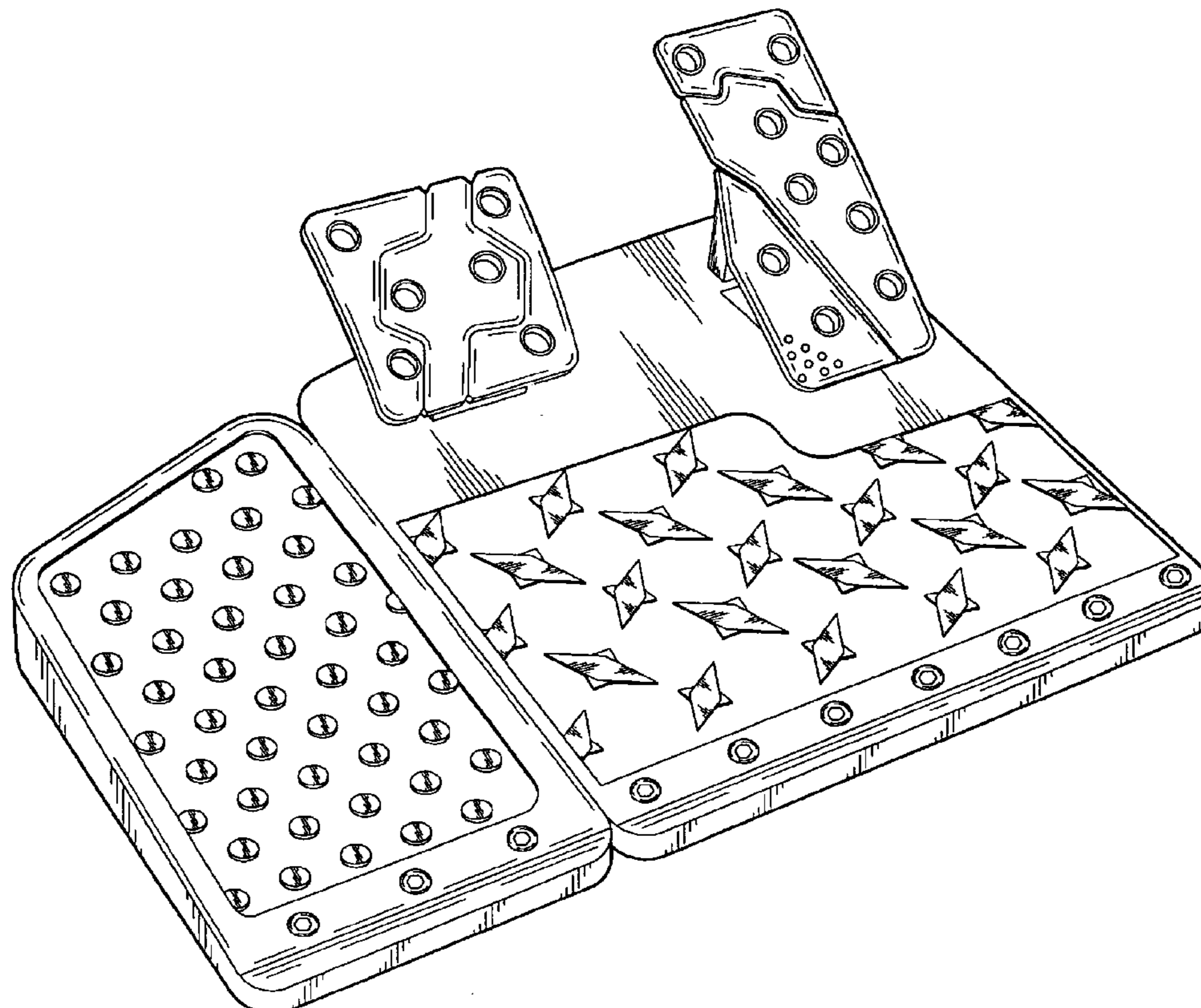


Fig. 1

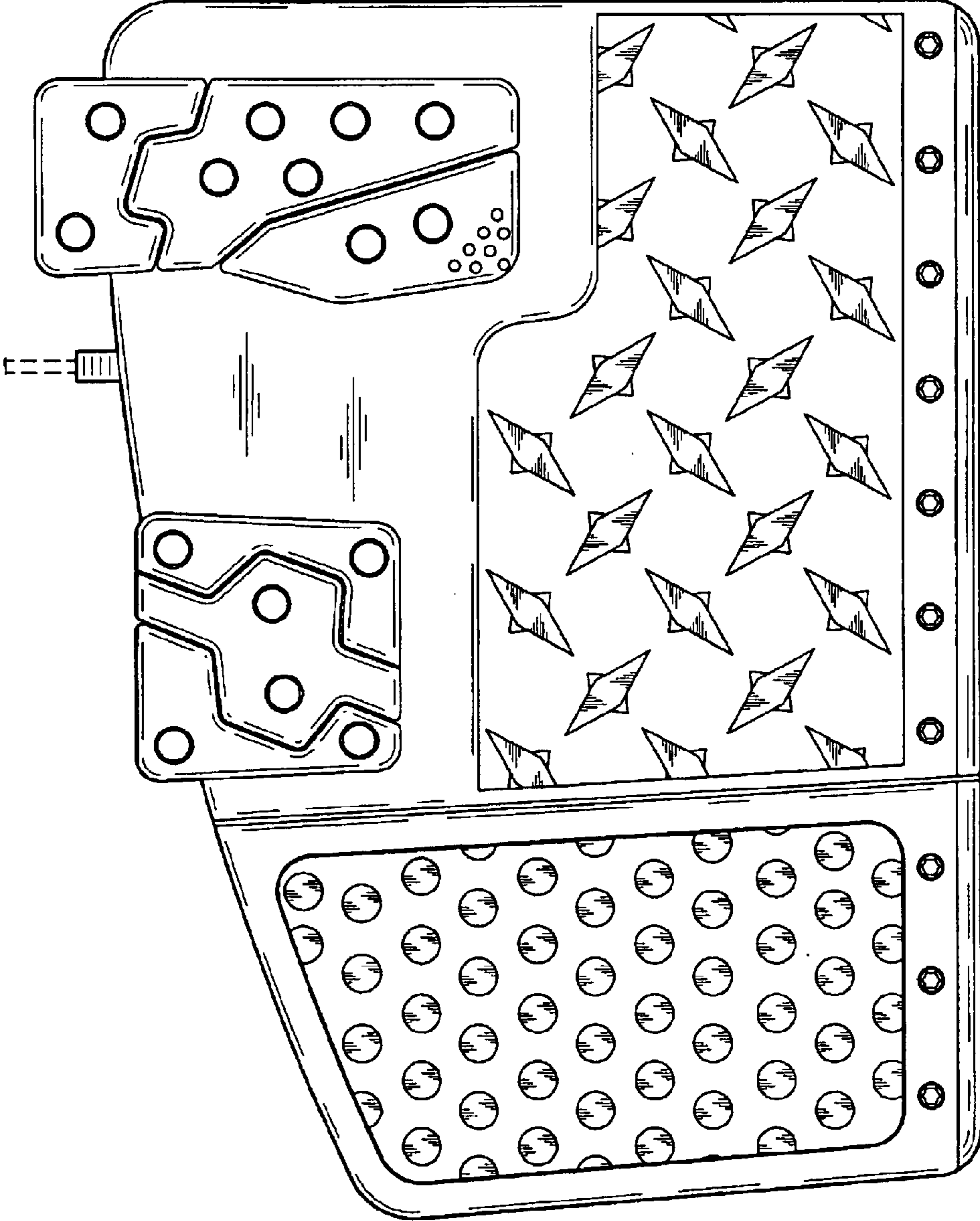


Fig. 2

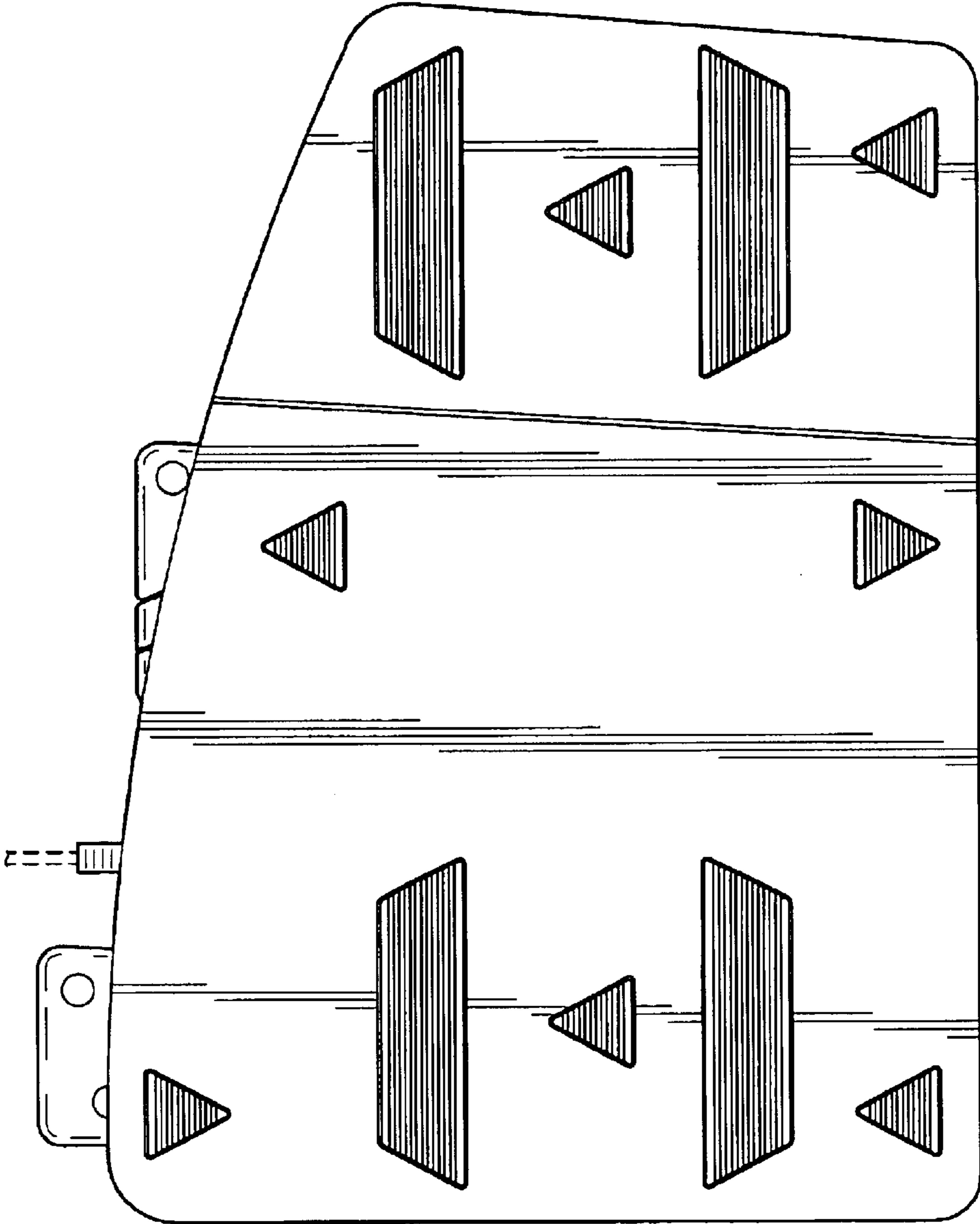


Fig. 3

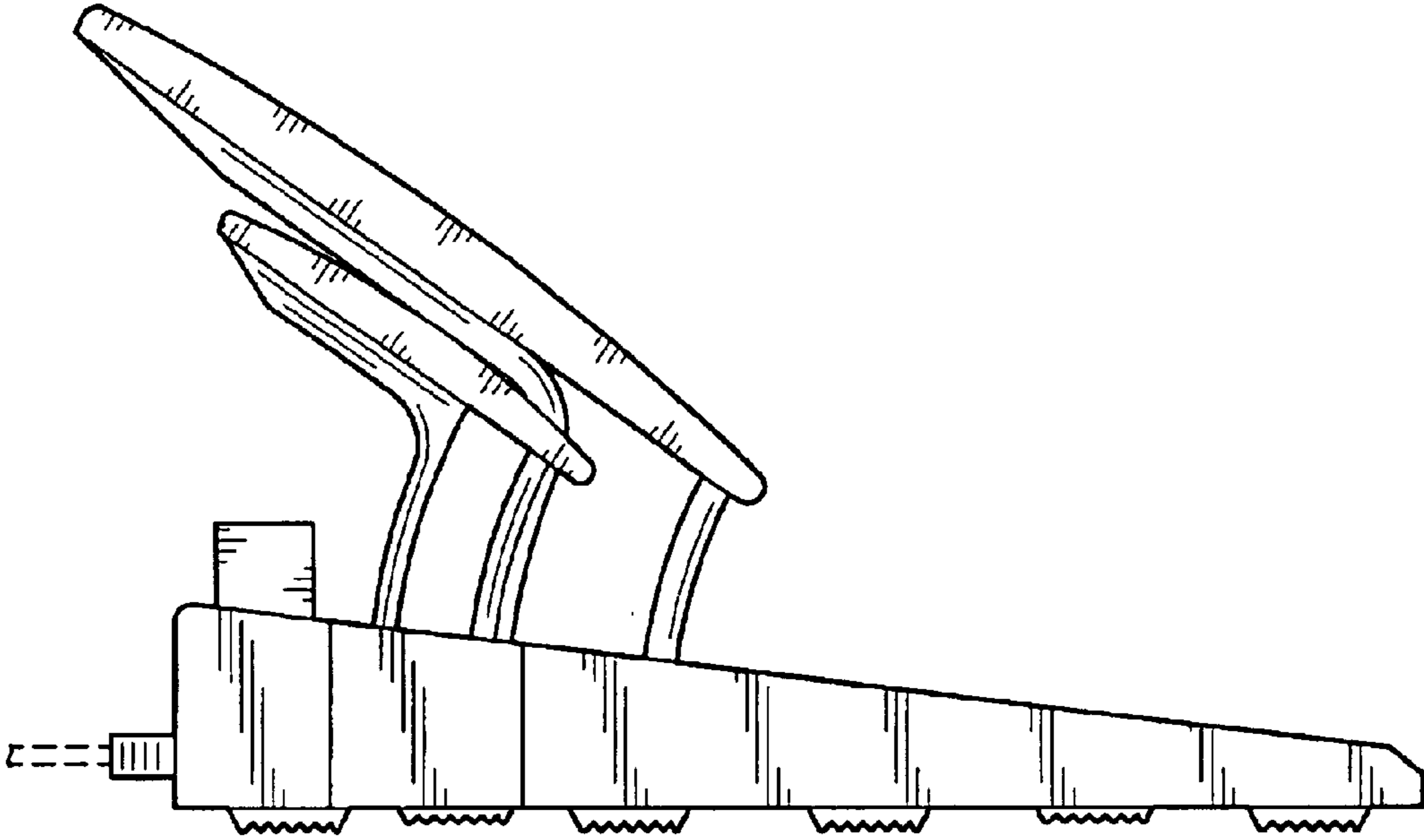


Fig. 4

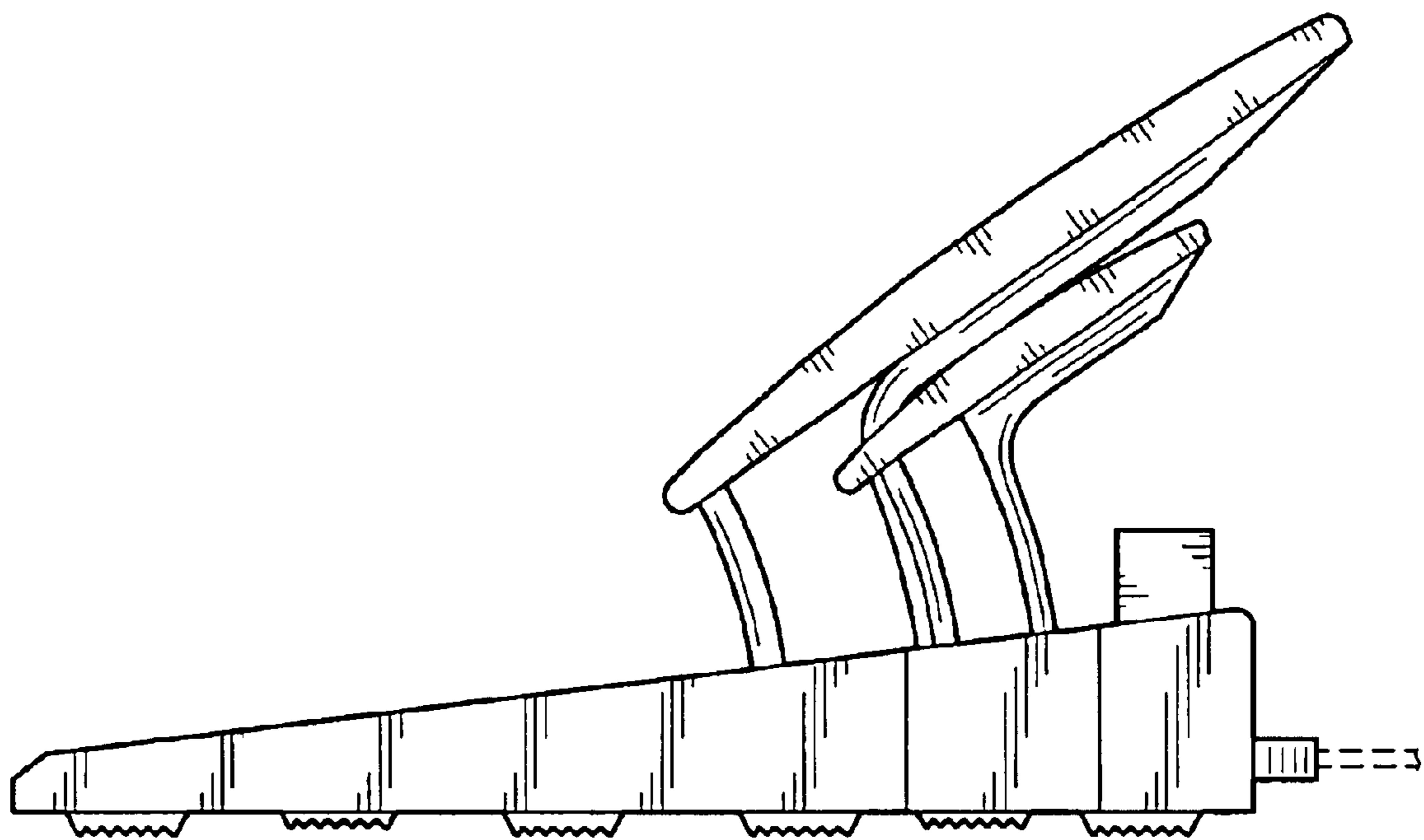


Fig. 5

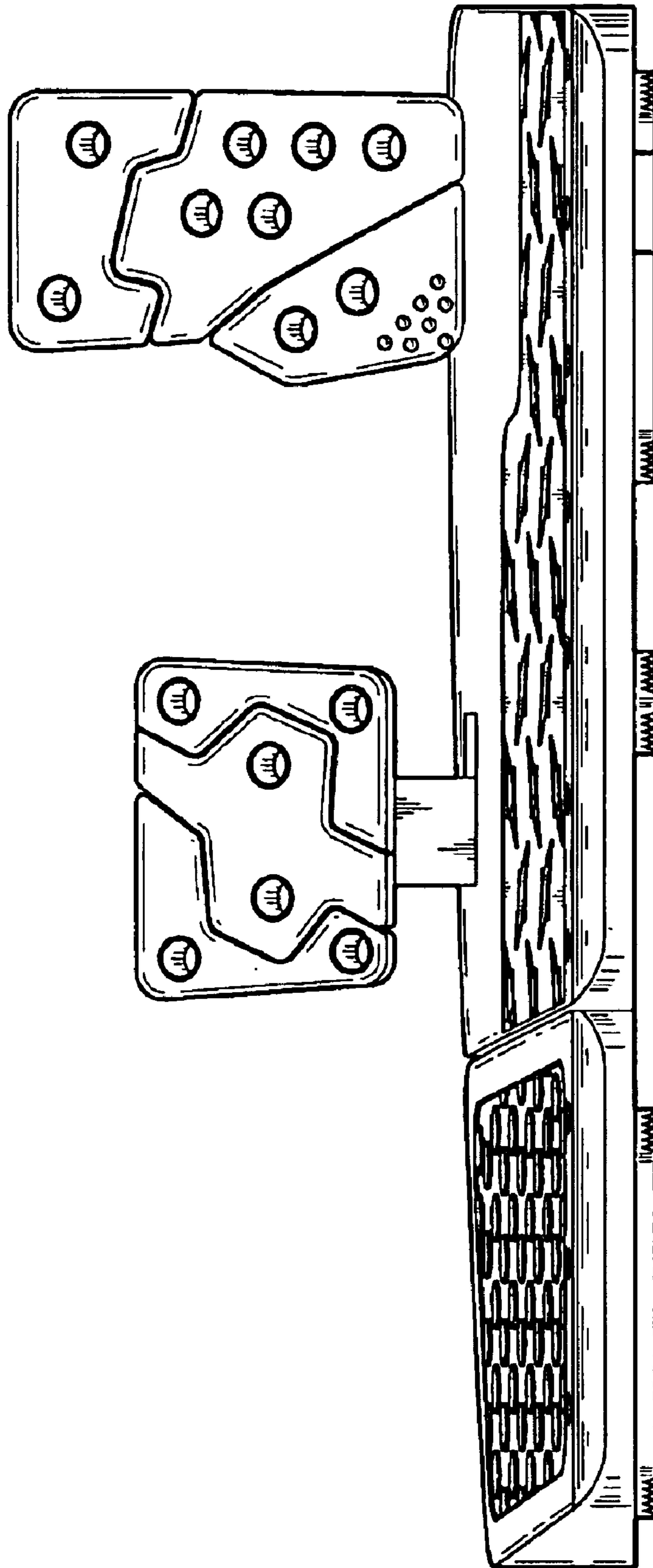


Fig. 6

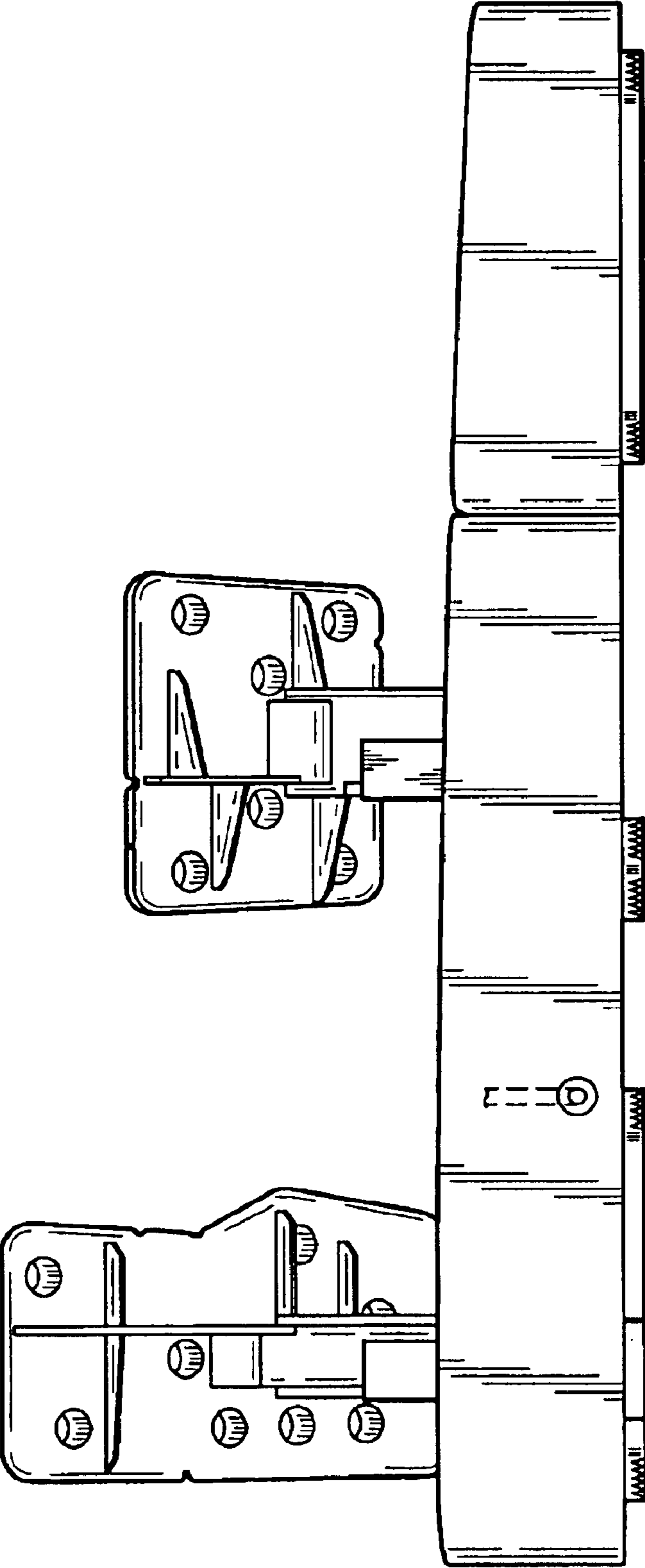


Fig. 7

