

US00D503172S

(12) **United States Design Patent**
Izumi

(10) **Patent No.: US D503,172 S**
(45) **Date of Patent: ** Mar. 22, 2005**

(54) **READER/WRITER FOR STORAGE MEDIUM**

D484,881 S * 1/2004 Lai D14/385

(75) Inventor: **Hideaki Izumi**, Tokyo (JP)

* cited by examiner

(73) Assignee: **Sony Corporation**, Tokyo (JP)

Primary Examiner—Freda S. Nunn

(**) Term: **14 Years**

(74) *Attorney, Agent, or Firm*—Rader, Fishman & Grauer PLLC

(21) Appl. No.: **29/202,784**

(57) **CLAIM**

(22) Filed: **Apr. 6, 2004**

The ornamental design for a reader/writer for storage medium, as shown.

(51) **LOC (7) Cl.** **14-02**

DESCRIPTION

(52) **U.S. Cl.** **D14/385**

(58) **Field of Search** D14/383–386,
D14/420, 421; D18/36, 37, 39; 355/64,
65, 75, 81; 250/556; 235/380, 382, 382.5

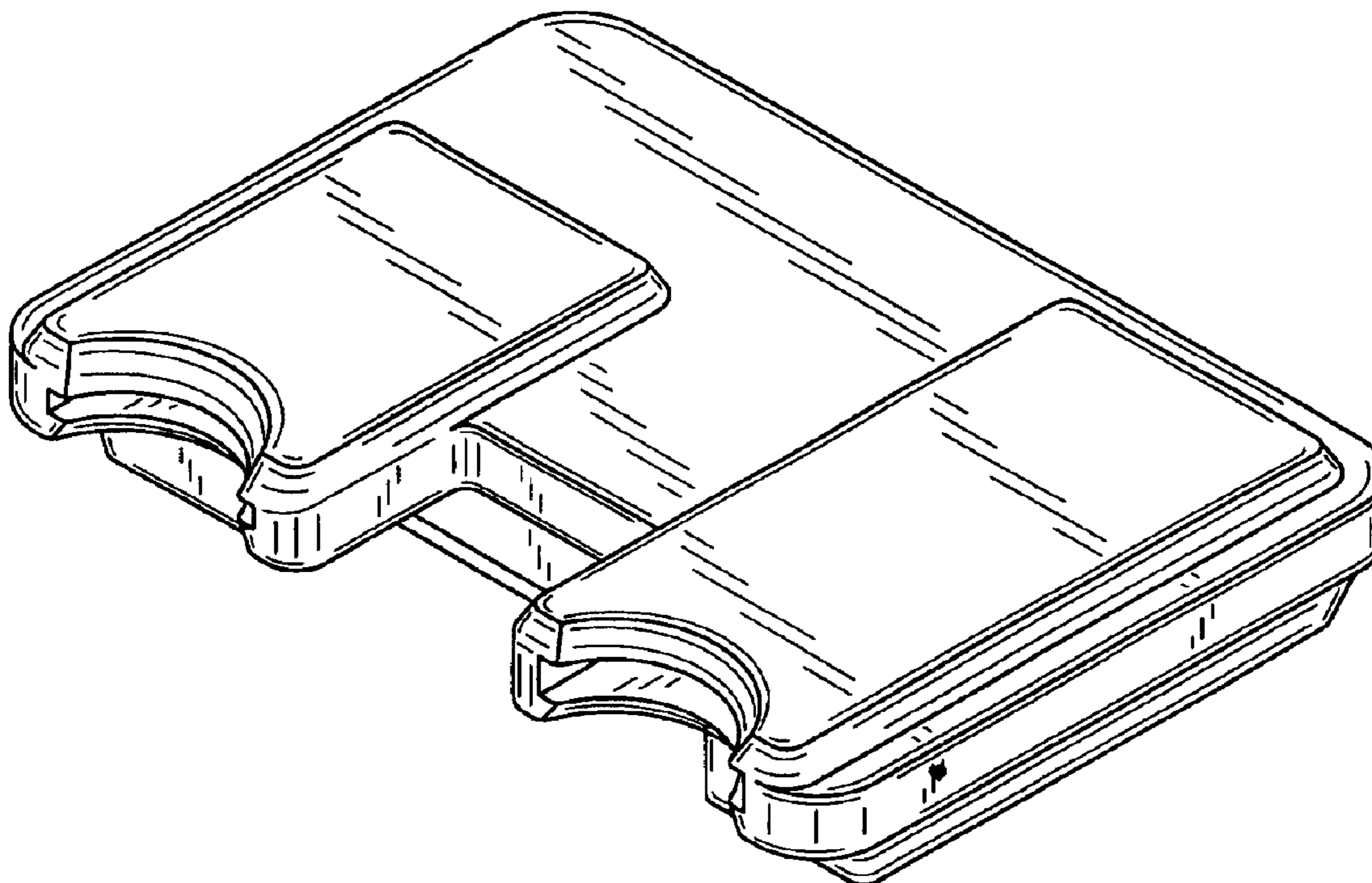
FIG. 1 is a perspective view of a reader/writer for storage medium showing my new design;
FIG. 2 is a front elevational view thereof;
FIG. 3 is a rear elevational view thereof;
FIG. 4 is a left side elevational view thereof;
FIG. 5 is a right side elevational view thereof;
FIG. 6 is a top plan view thereof; and,
FIG. 7 is a bottom plan view thereof.

(56) **References Cited**

U.S. PATENT DOCUMENTS

- D437,851 S * 2/2001 Kojima et al. D14/385
- D475,708 S * 6/2003 Bergstrom D14/385
- D477,322 S * 7/2003 Chien D14/385

1 Claim, 4 Drawing Sheets



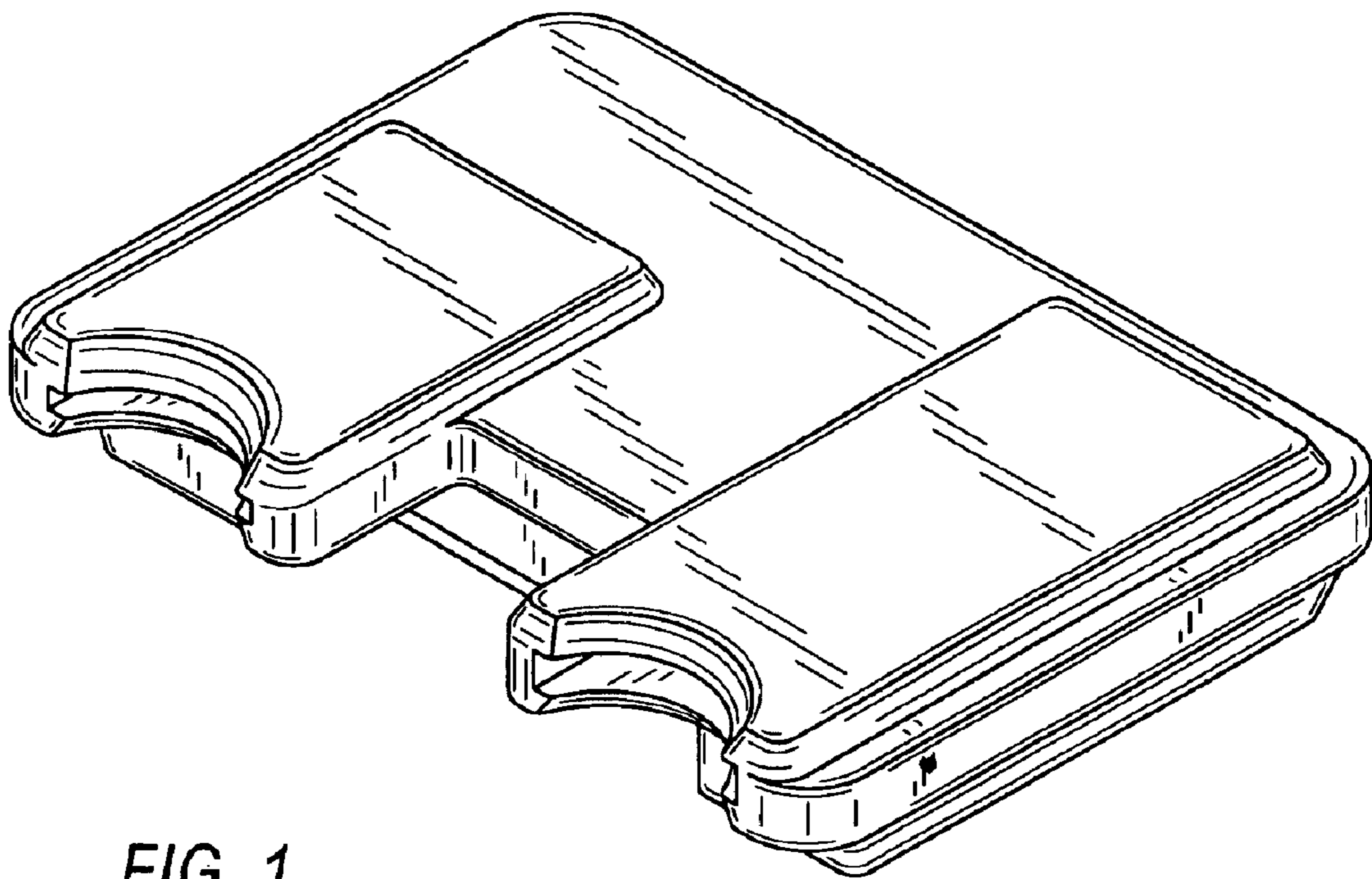


FIG. 1

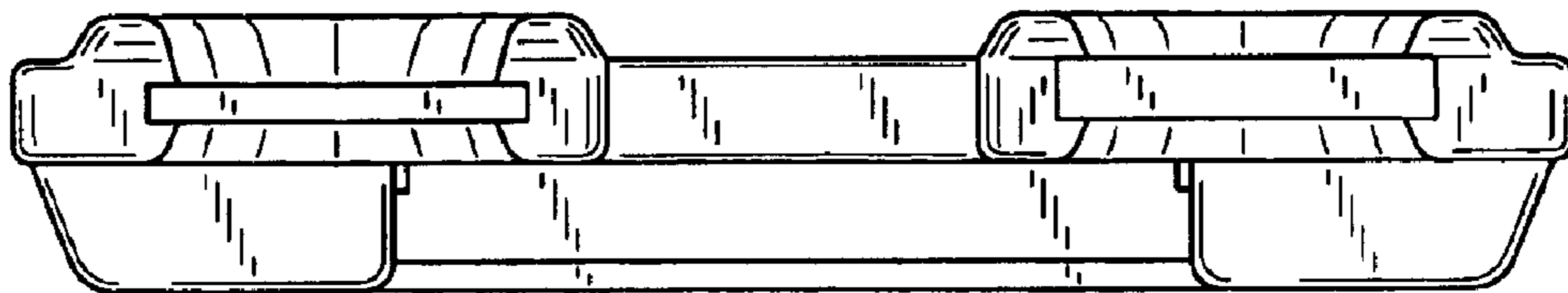


FIG. 2

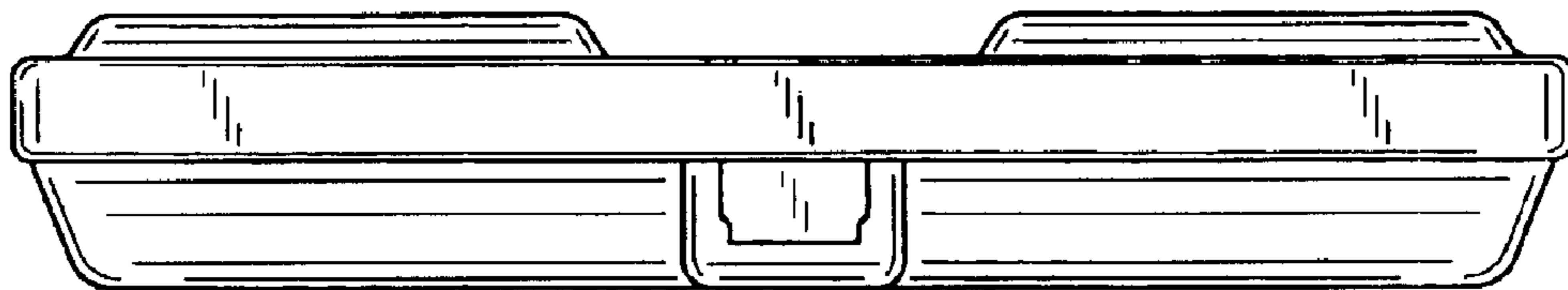


FIG. 3

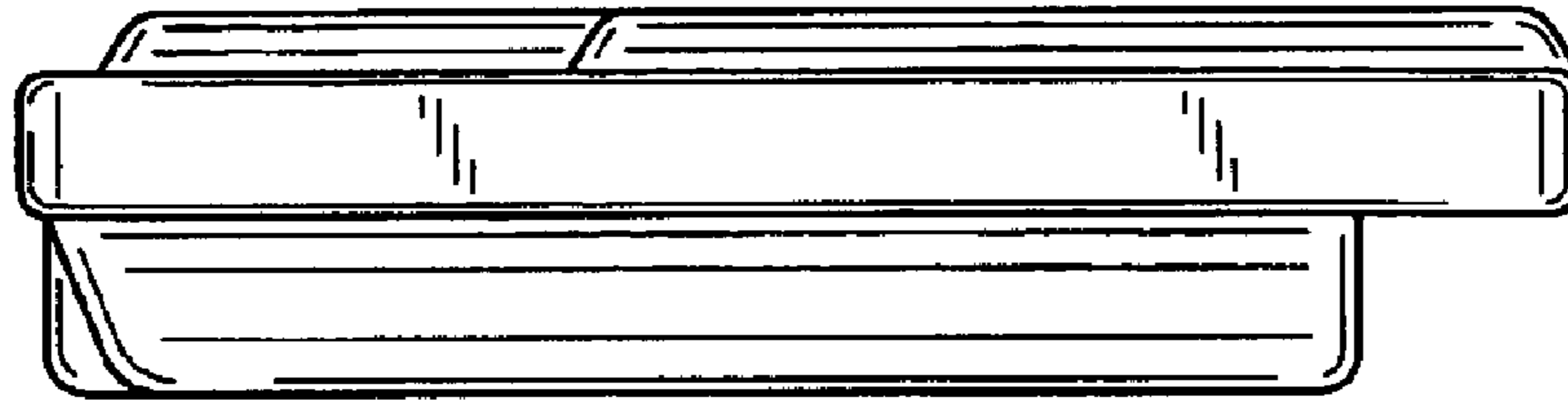


FIG. 4

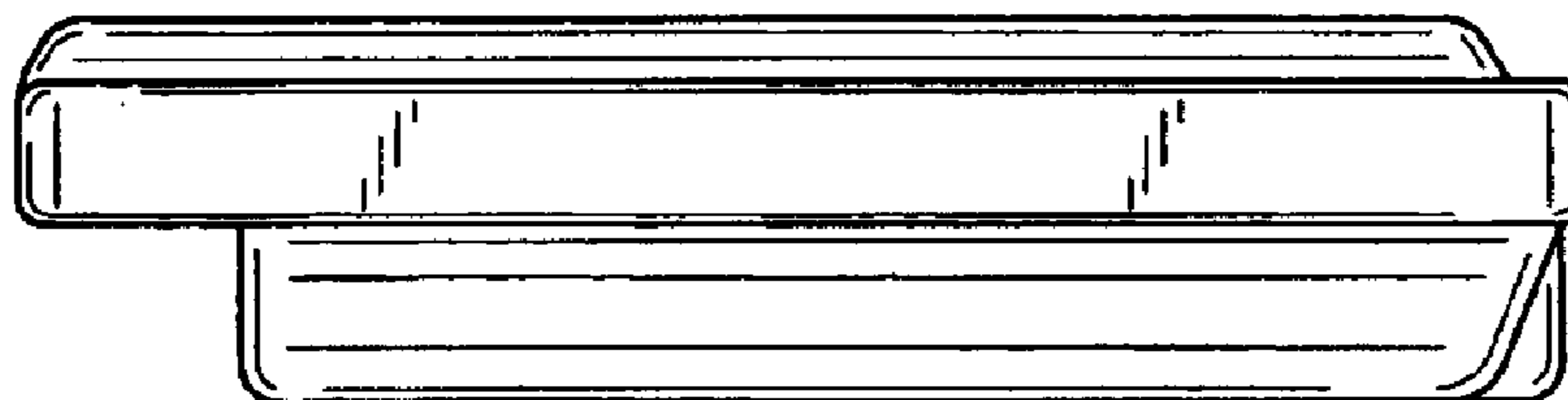


FIG. 5

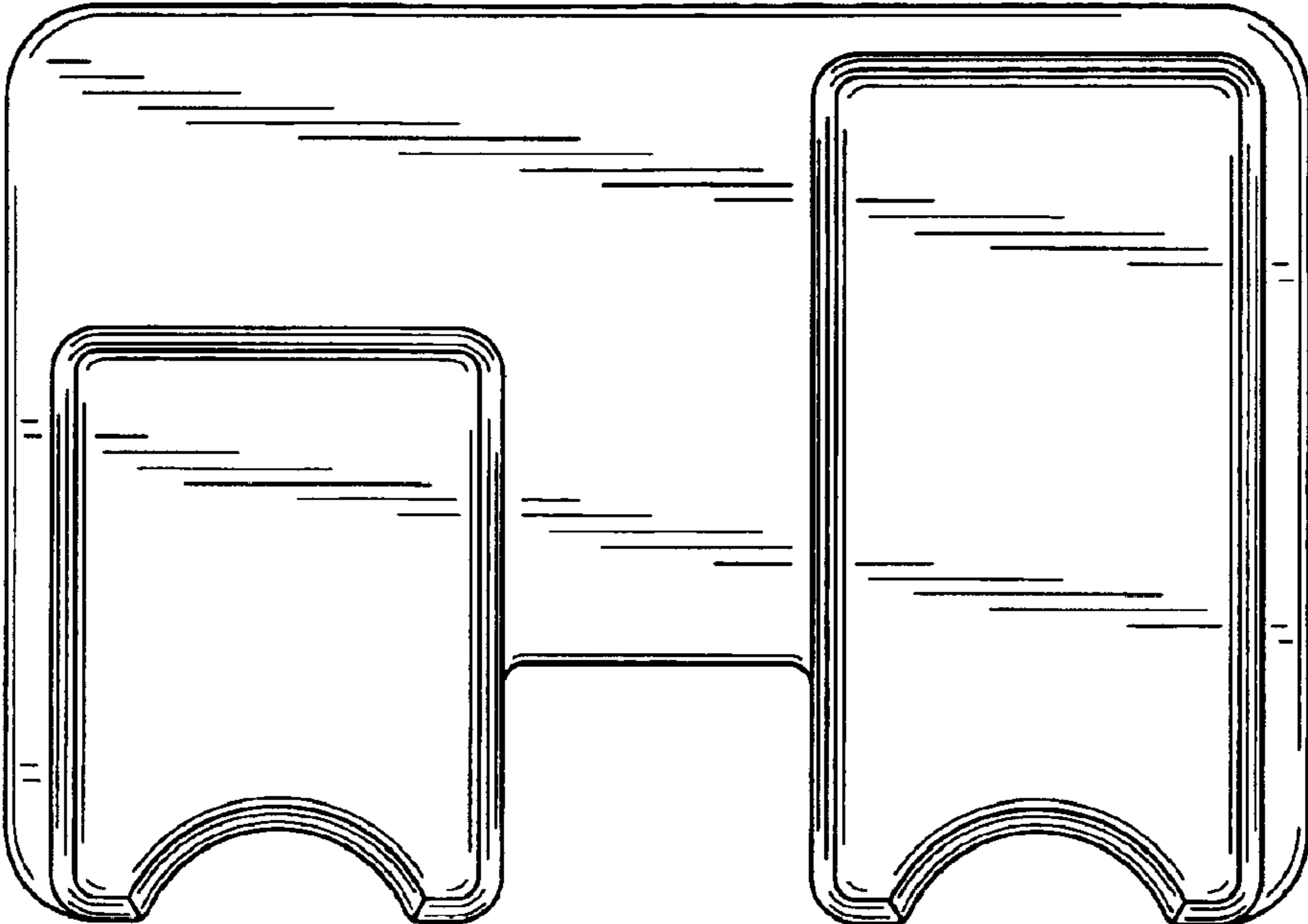


FIG. 6

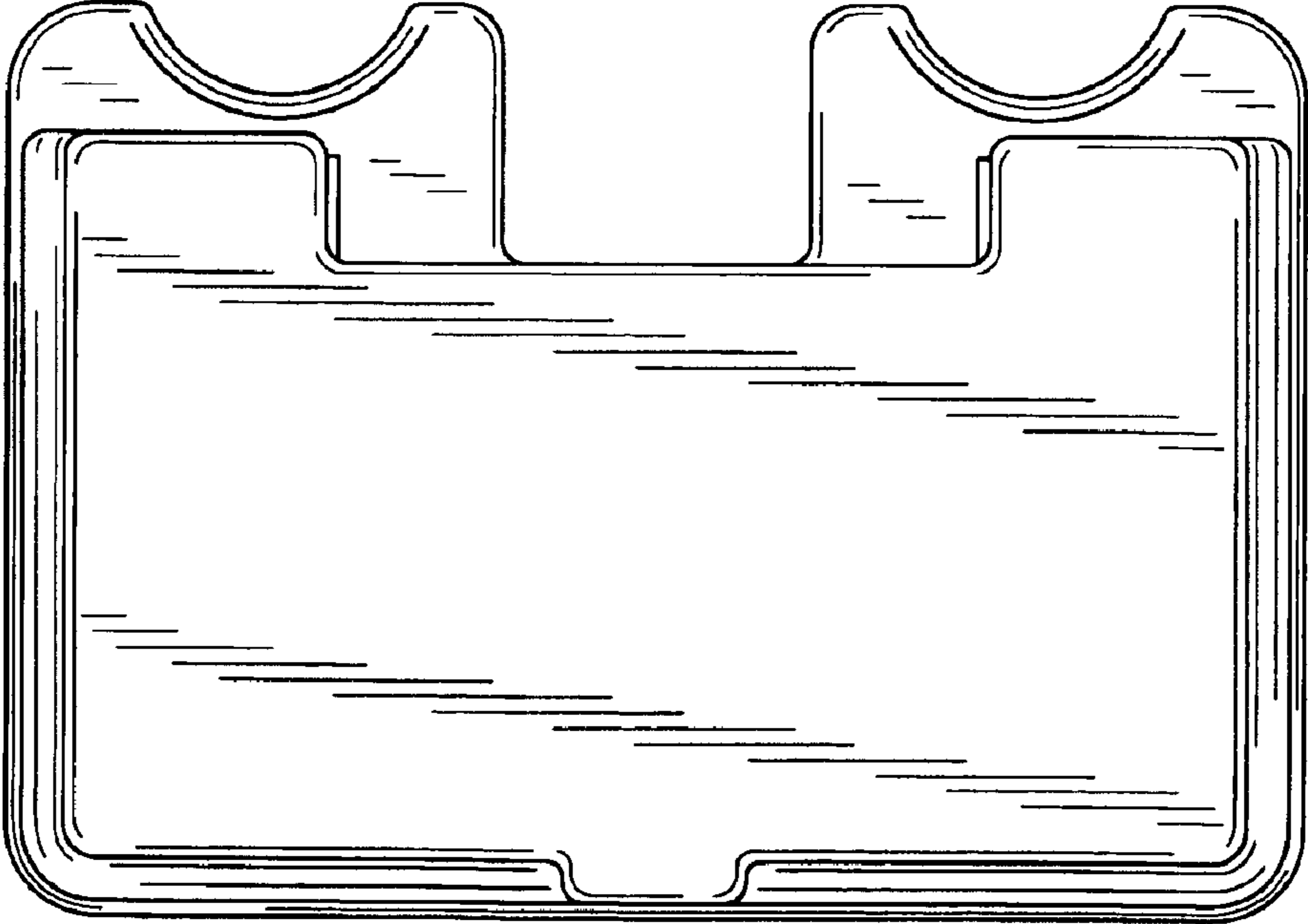


FIG. 7