

US00D503160S

(12) **United States Design Patent**
Peng

(10) **Patent No.:** **US D503,160 S**
(45) **Date of Patent:** **** Mar. 22, 2005**

(54) **FLAT-PANEL DVD PLAYER WITH DISPLAY**

(75) **Inventor:** **Juen-Tien Peng, Chung Li (TW)**

(73) **Assignee:** **Action Electronics Co., Ltd., Chung LI (TW)**

(**) **Term:** **14 Years**

(21) **Appl. No.:** **29/199,552**

(22) **Filed:** **Feb. 18, 2004**

(51) **LOC (7) Cl.** **14-03**

(52) **U.S. Cl.** **D14/129**

(58) **Field of Search** D14/125-134,
D14/239, 371, 374-376; 312/7.2; 348/836,
838, 180, 184, 325, 739; 341/12; 248/917-924,
465; 345/104, 133, 156, 168, 87, 173; 720/605,
669, 600, 655; 369/99, 197; 455/344-347

(56) **References Cited**

U.S. PATENT DOCUMENTS

527,694 A	*	10/1894	Jones	248/465
5,265,083 A	*	11/1993	Ishii et al.	720/605
D394,248 S	*	5/1998	Duan	D14/375
D414,164 S	*	9/1999	Rorke et al.	D14/374
D415,147 S	*	10/1999	Adachi	D14/132
6,014,357 A	*	1/2000	Watanabe et al.	720/655
D427,169 S	*	6/2000	Saeki et al.	D14/126

D494,553 S	*	8/2004	Yang	D14/126
6,772,422 B2	*	8/2004	Yano et al.	720/600
6,792,292 B1	*	9/2004	Chatani	455/566
6,795,377 B2	*	9/2004	Gorden	368/12

OTHER PUBLICATIONS

Pioneer Catalog, May 1999.*
Sound and Vision, Jan. 2003.*
Hong Kong electronics, May 2003 and rear cover.*

* cited by examiner

Primary Examiner—Raphael Barkai
(74) *Attorney, Agent, or Firm*—Rosenberg, Klein & Lee

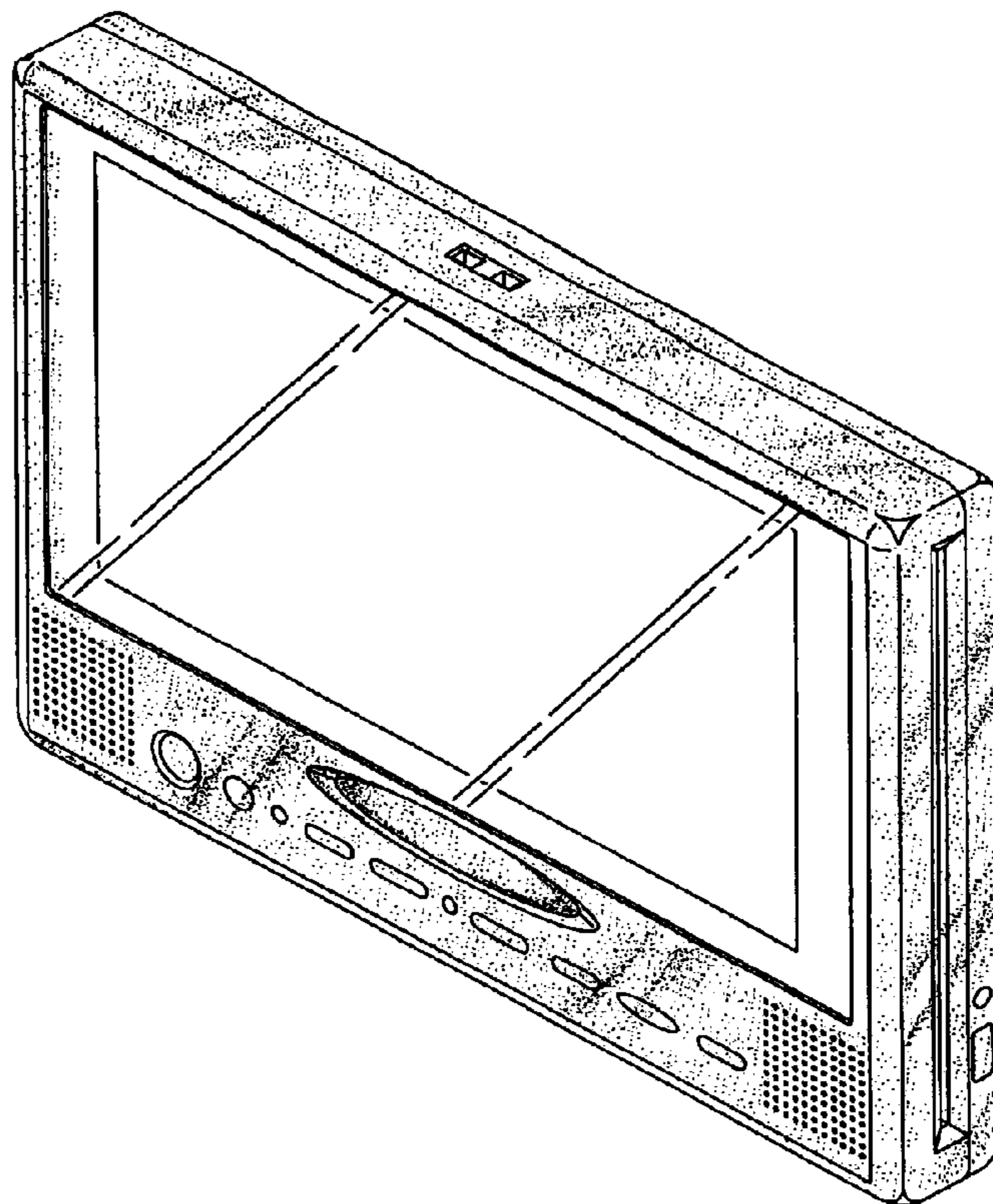
(57) **CLAIM**

The ornamental design of a flat-panel DVD player with display, as shown in the accompanying drawings.

DESCRIPTION

FIG. 1 is a perspective view of flat-panel DVD player with display embodying my design.
FIG. 2 is a front elevational view thereof;
FIG. 3 is rear elevational view thereof.
FIG. 4 is left elevational view thereof;
FIG. 5 is a right elevational view thereof;
FIG. 6 is a top view thereof; and,
FIG. 7 is a bottom view thereof.

1 Claim, 4 Drawing Sheets



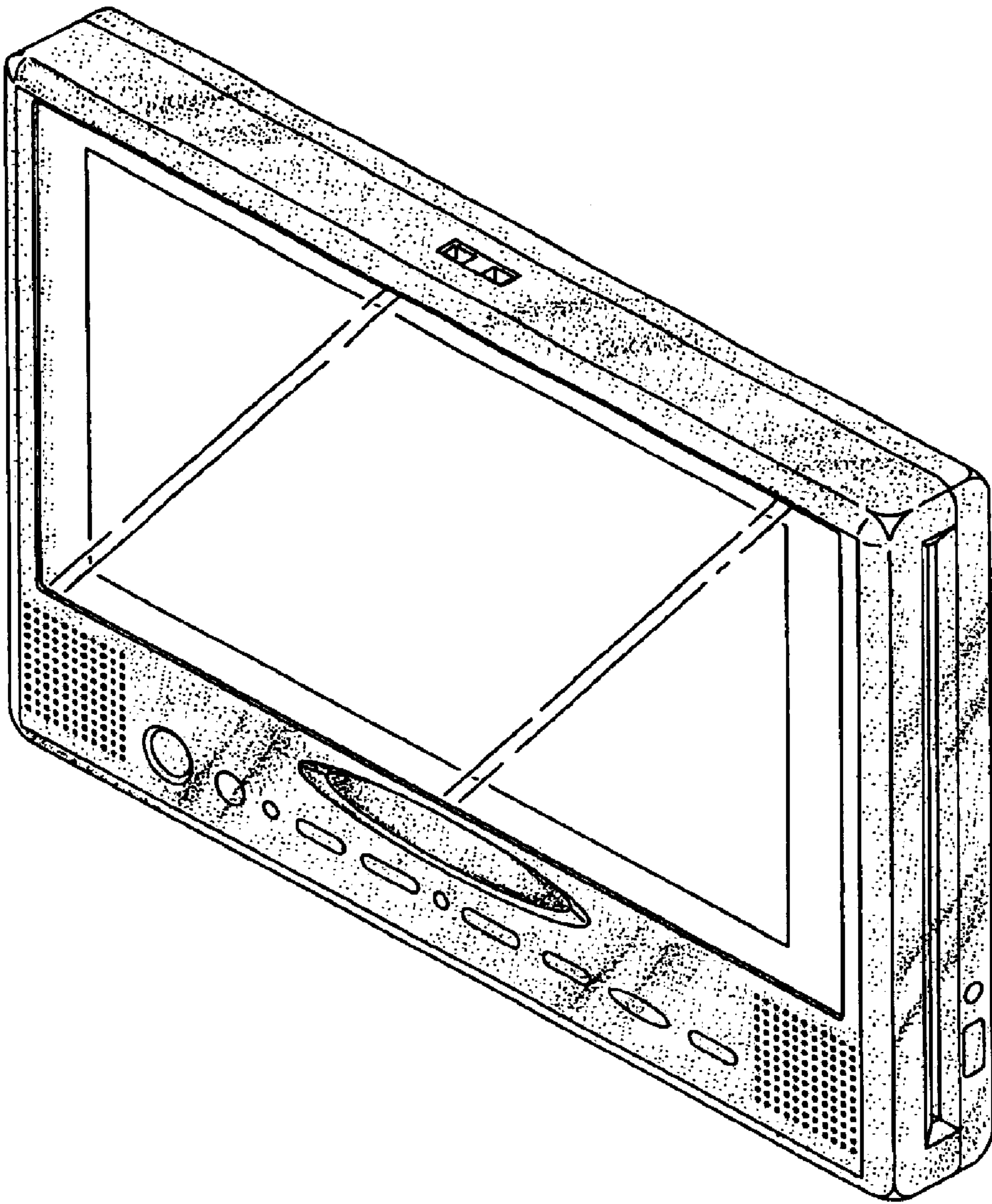


FIG. 1

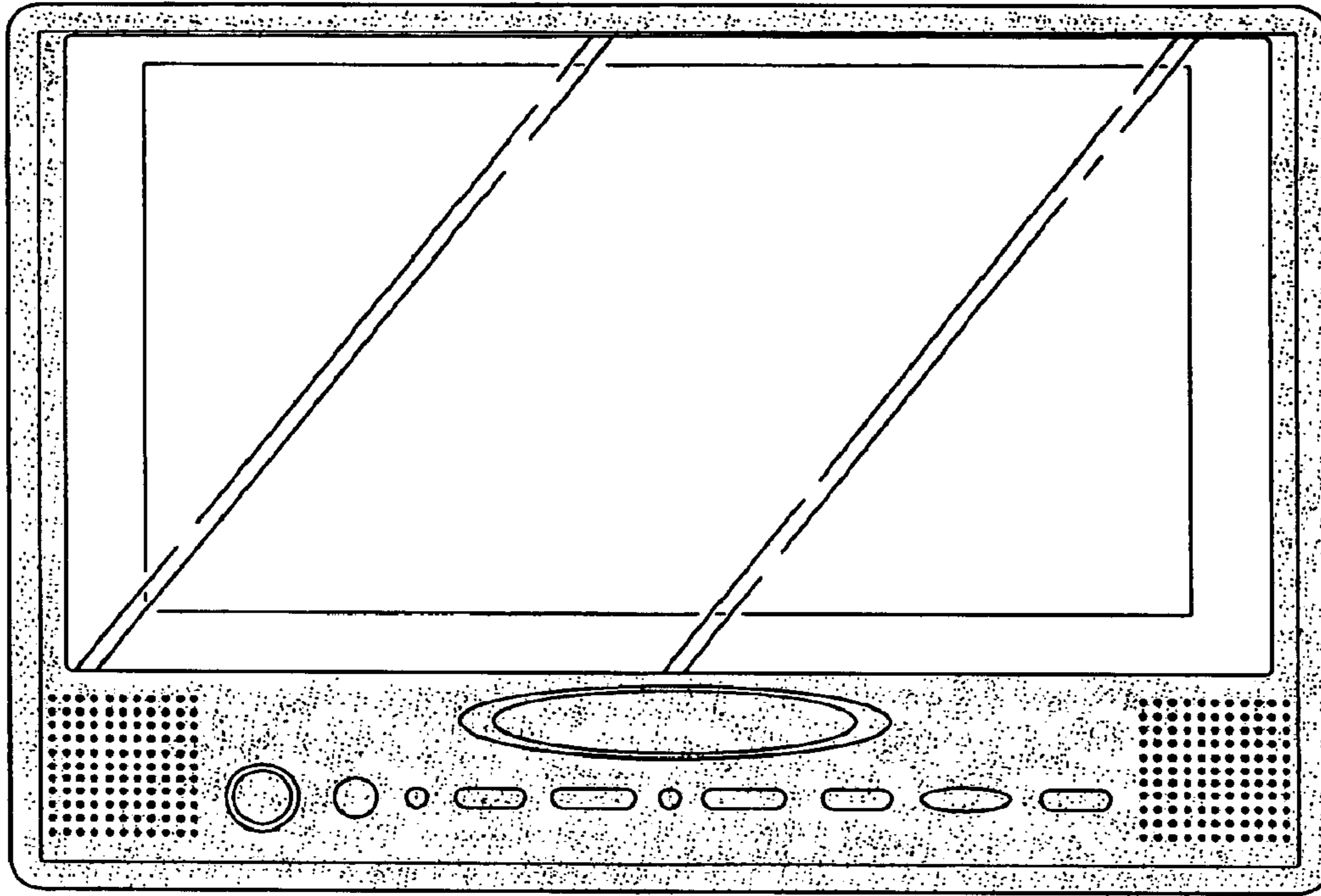


FIG. 2

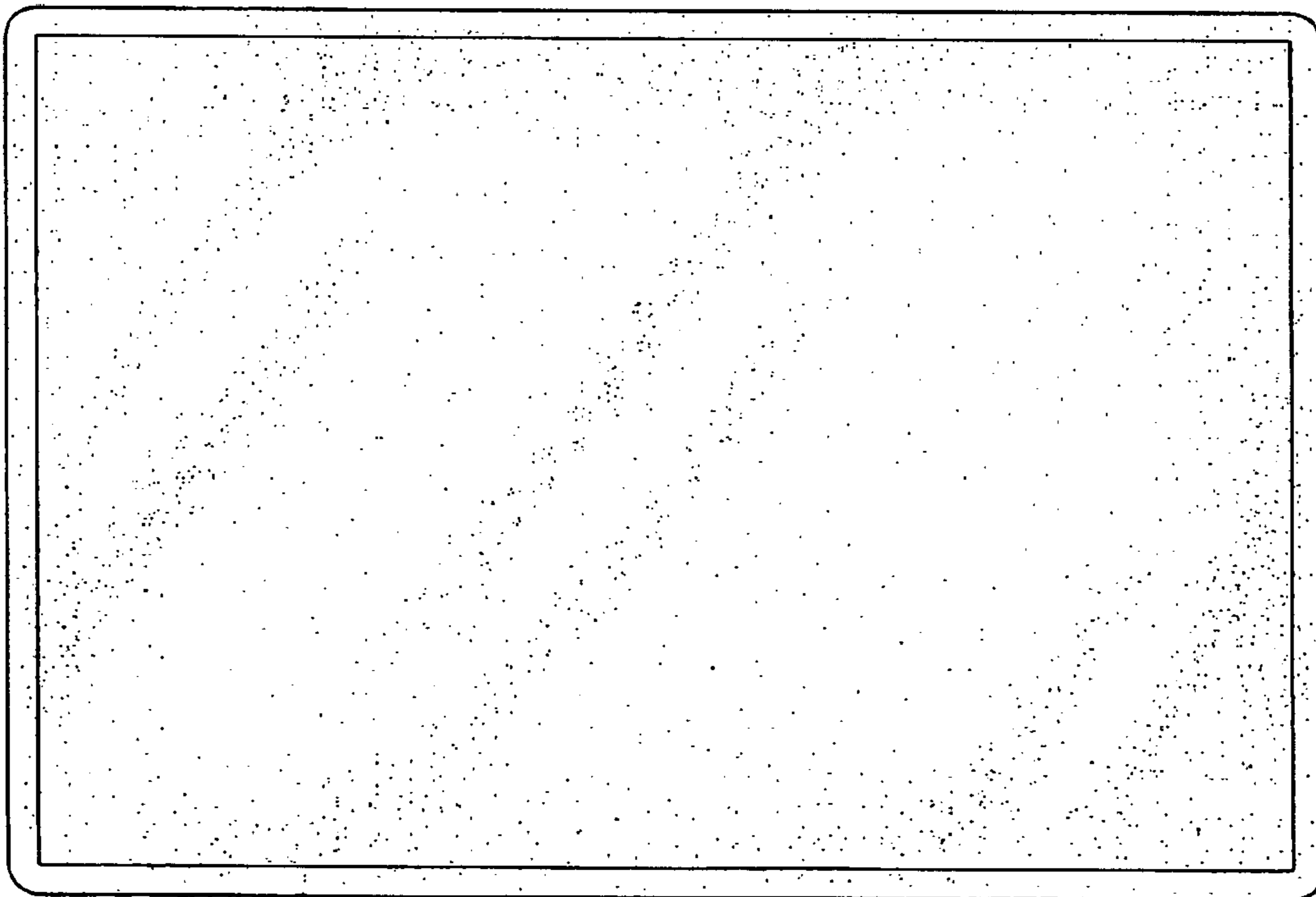


FIG. 3

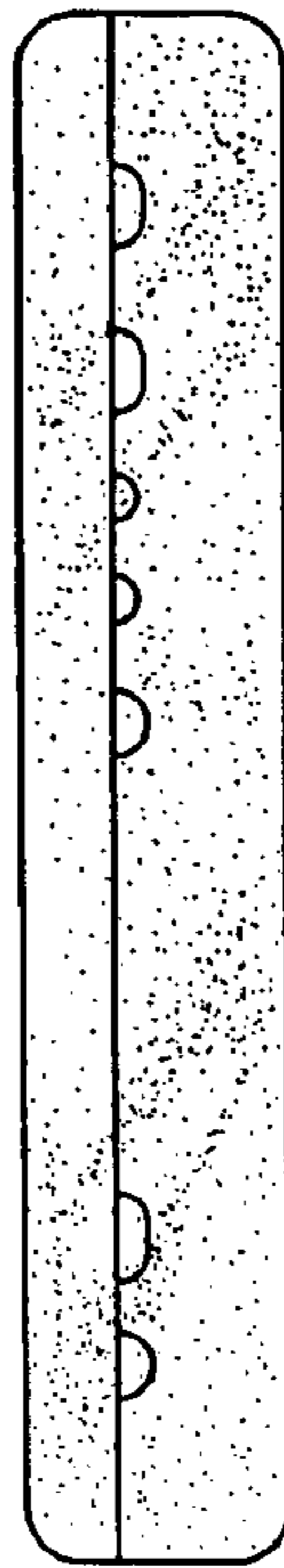


FIG. 4

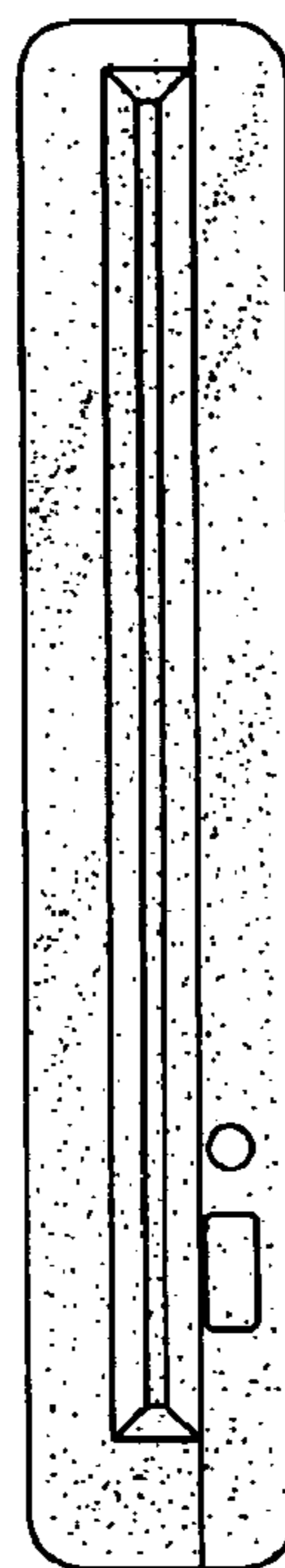


FIG. 5

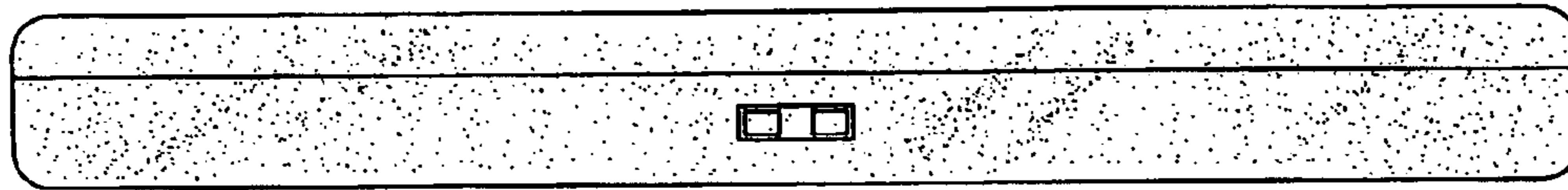


FIG. 6

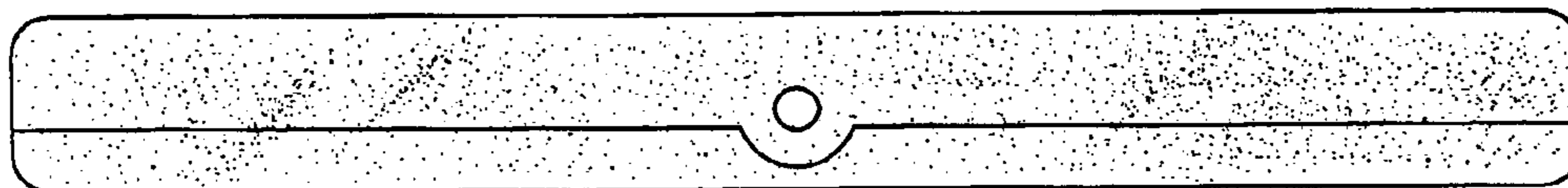


FIG. 7