

US00D503157S

(12) **United States Design Patent**  
**Fujii et al.**

(10) **Patent No.: US D503,157 S**  
(45) **Date of Patent: \*\* Mar. 22, 2005**

(54) **TELEVISION RECEIVER**

D498,216 S \* 11/2004 Takami et al. .... D14/239

(75) Inventors: **Mitsunari Fujii**, Sarayami (JP);  
**Noriaki Mori**, Takatsuki (JP)

**FOREIGN PATENT DOCUMENTS**

JP	1121599	9/2001
JP	1121934	9/2001
JP	1175784	6/2003

(73) Assignee: **Matsushita Electric Industrial**, Osaka (JP)

**OTHER PUBLICATIONS**

(\*\*) Term: **14 Years**

Sony television 1999 training guide, cover.\*

(21) Appl. No.: **29/198,386**

\* cited by examiner

(22) Filed: **Jan. 29, 2004**

*Primary Examiner*—Raphael Barkai

(30) **Foreign Application Priority Data**

(74) *Attorney, Agent, or Firm*—Brinks Hofer Gilson & Lione

Jul. 29, 2003 (JP) ..... 2003-021871

(57) **CLAIM**

(51) **LOC (7) Cl.** ..... **14-03**

The ornamental design for a television receiver, as shown and described.

(52) **U.S. Cl.** ..... **D14/126**

(58) **Field of Search** ..... D14/125-134,  
D14/239, 371, 374-376; 312/7.2; 348/836,  
838, 180, 184, 325, 739; 341/12; 248/917-924;  
345/104, 133, 156, 168, 87, 173

**DESCRIPTION**

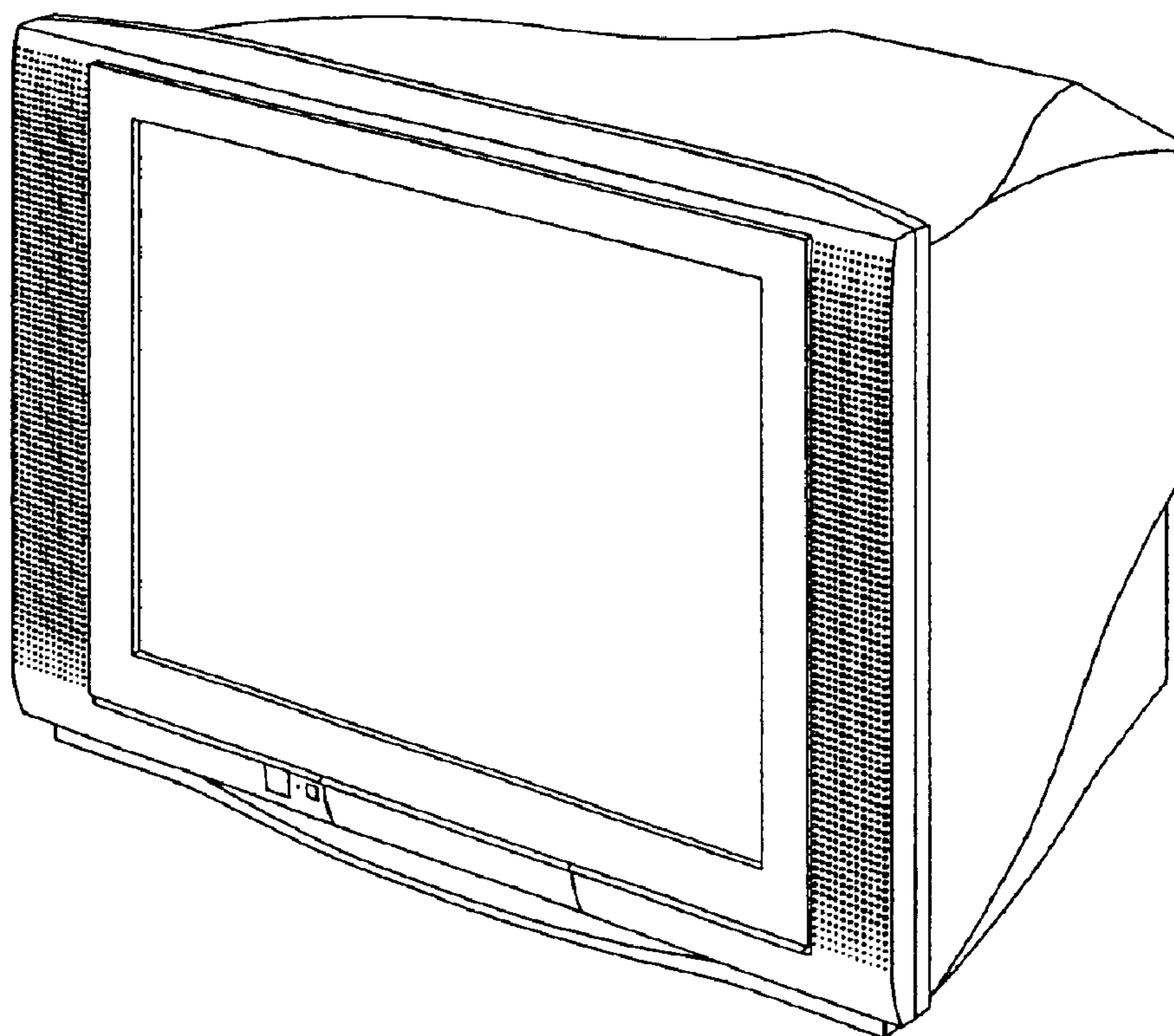
(56) **References Cited**

FIG. 1 is a top perspective view of a television receiver of the present invention;  
FIG. 2 is a front view thereof;  
FIG. 3 is a rear view thereof;  
FIG. 4 is a bottom view thereof;  
FIG. 5 is a top view thereof; and,  
FIG. 6 is a left side view thereof, wherein the right side view is a mirror image thereof.

**U.S. PATENT DOCUMENTS**

D396,038 S	*	7/1998	Asanuma et al.	.....	D14/126
D438,181 S	*	2/2001	Onoda et al.	.....	D14/126
D464,331 S	*	10/2002	Yu et al.	.....	D14/126
D473,530 S	*	4/2003	Lee et al.	.....	D14/126
D498,215 S	*	11/2004	Lee et al.	.....	D14/126

**1 Claim, 6 Drawing Sheets**



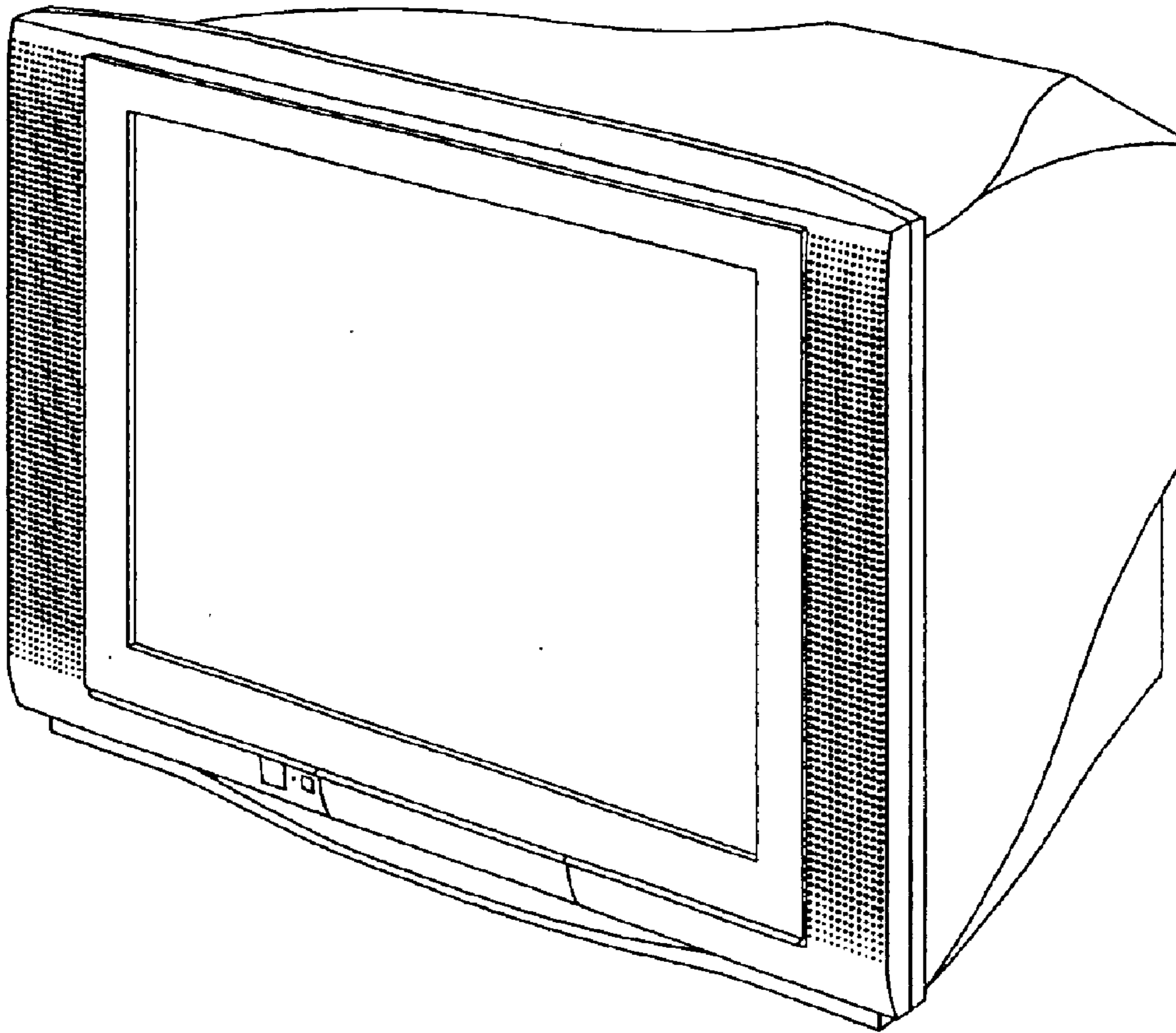


FIG. 1

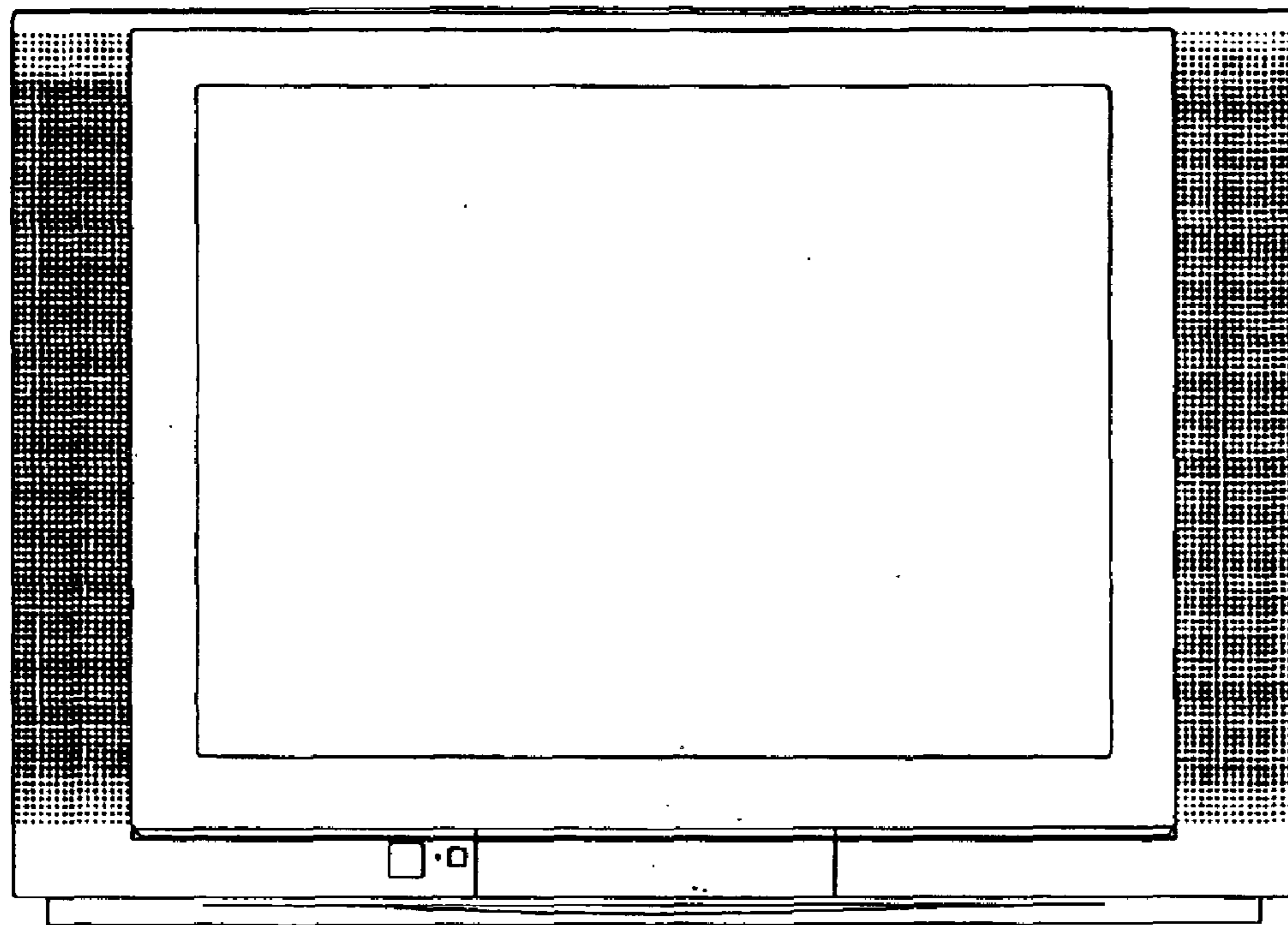


FIG. 2

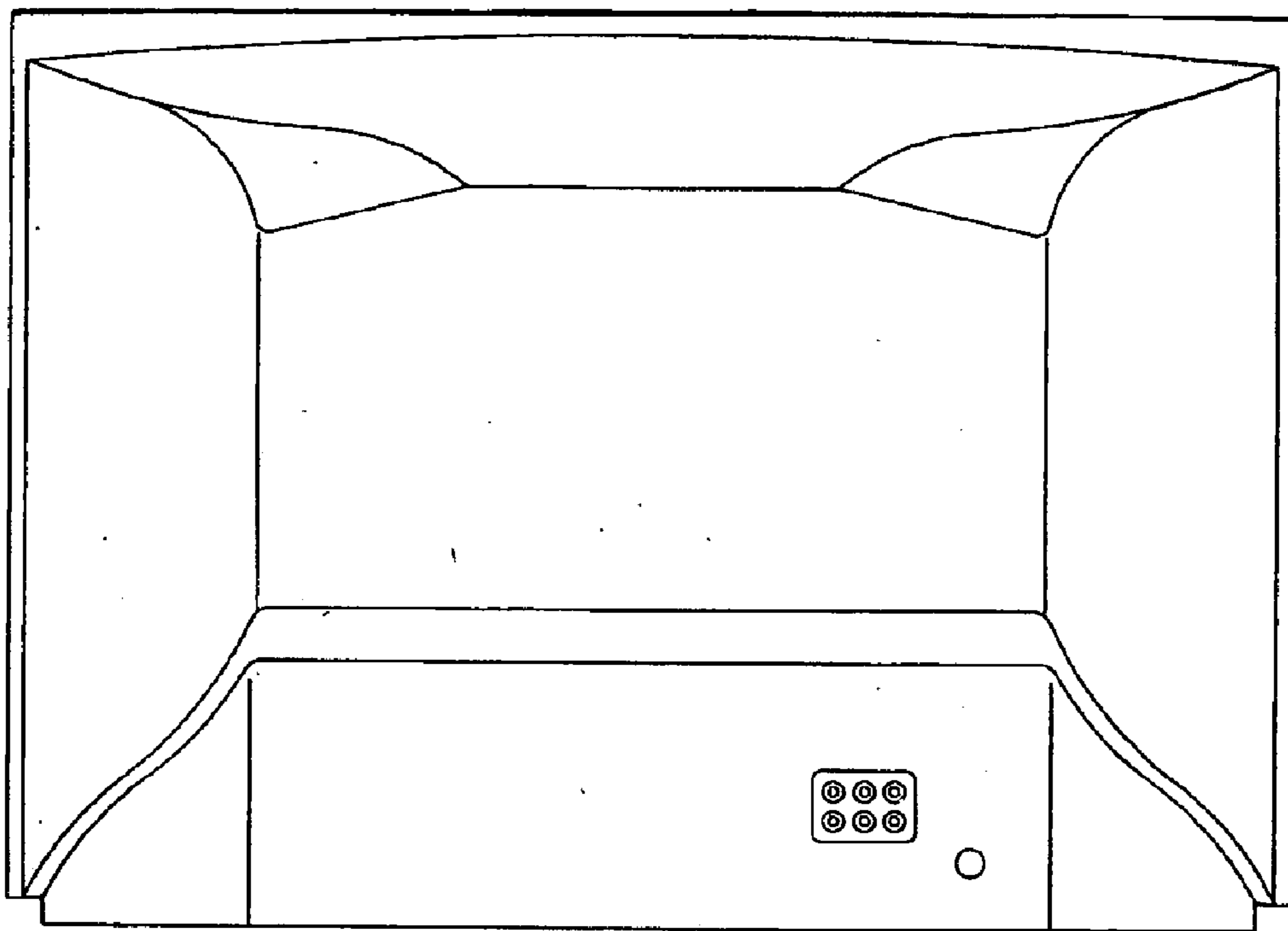


FIG. 3

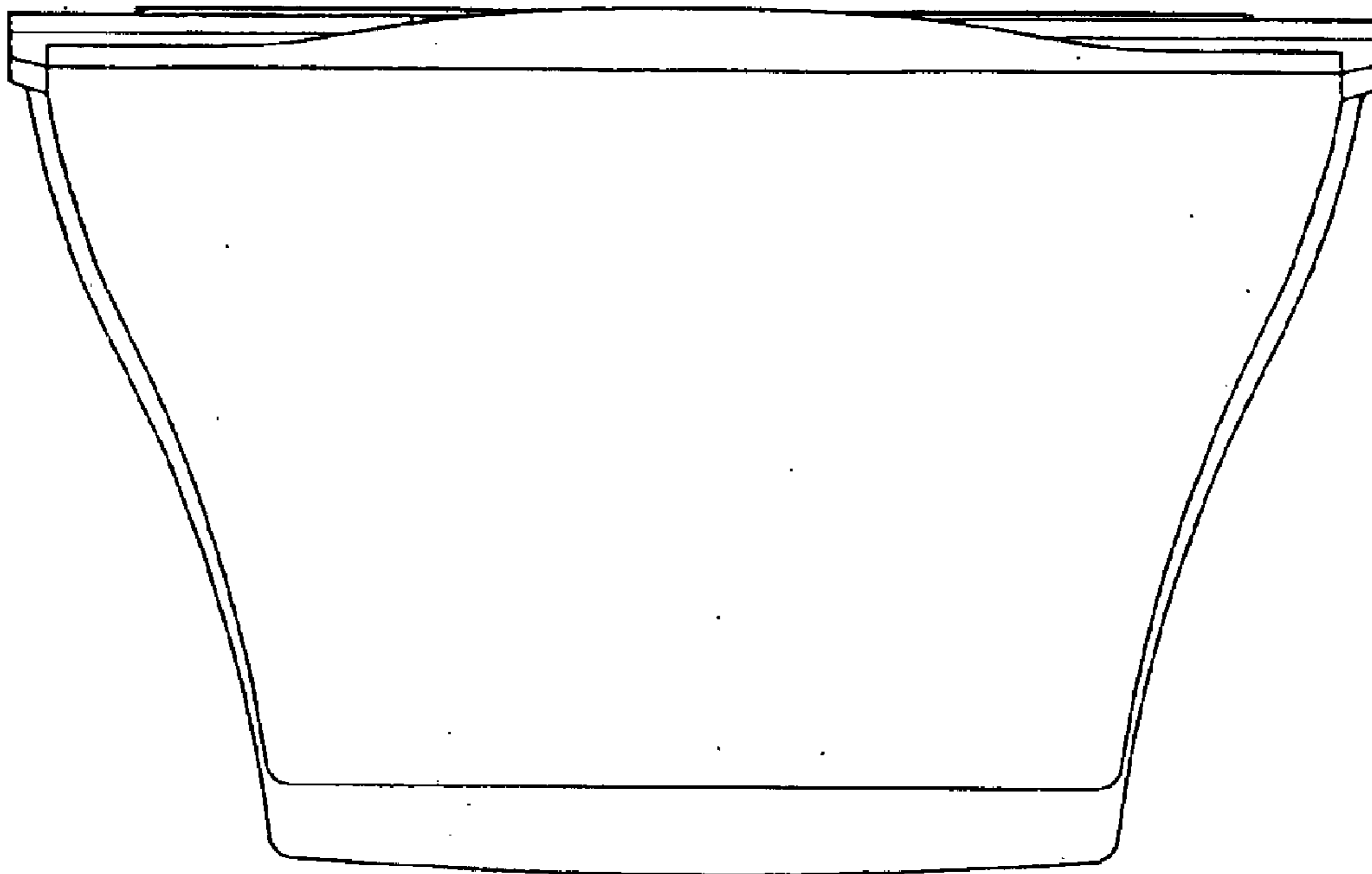


FIG. 4

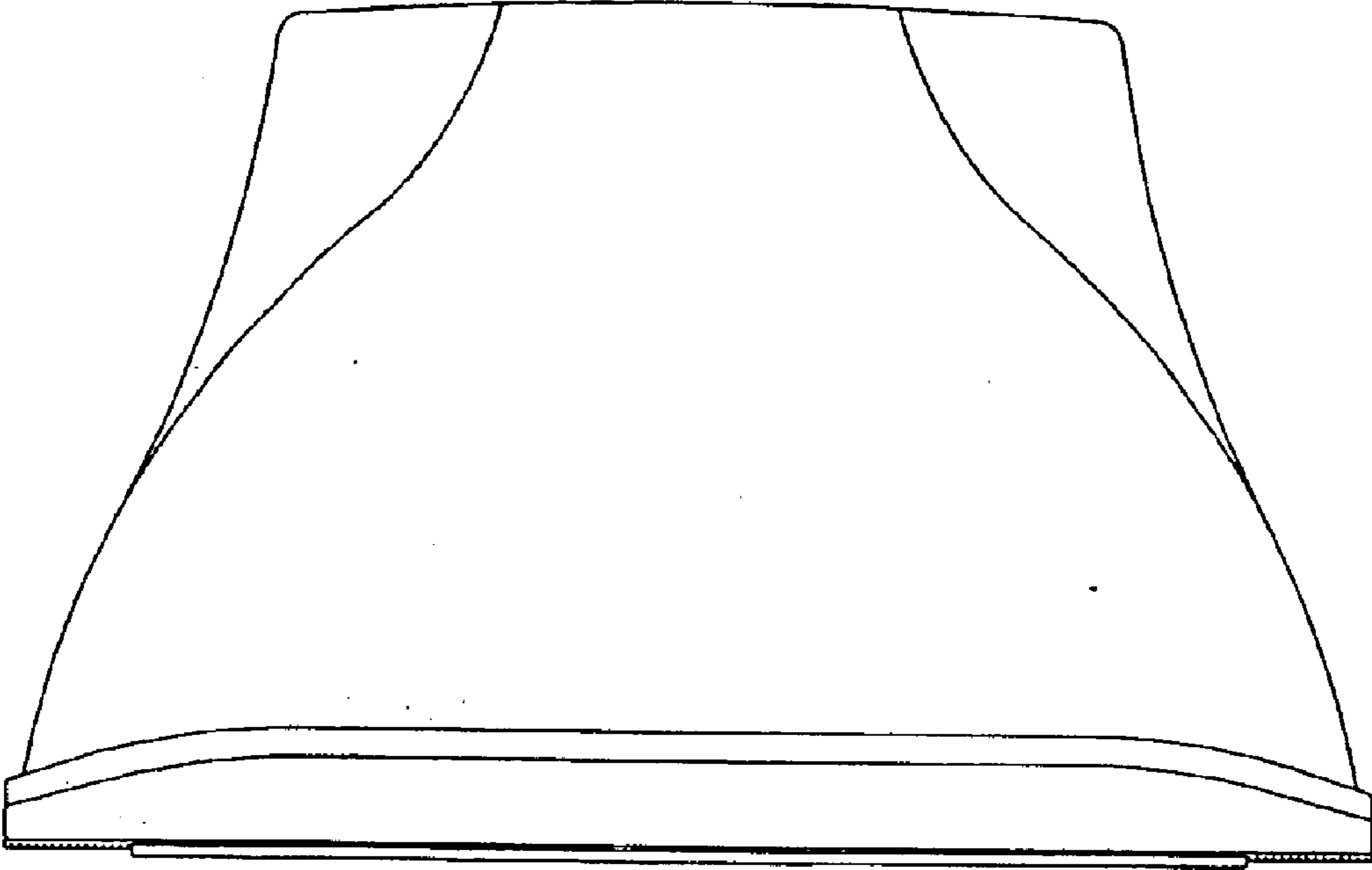
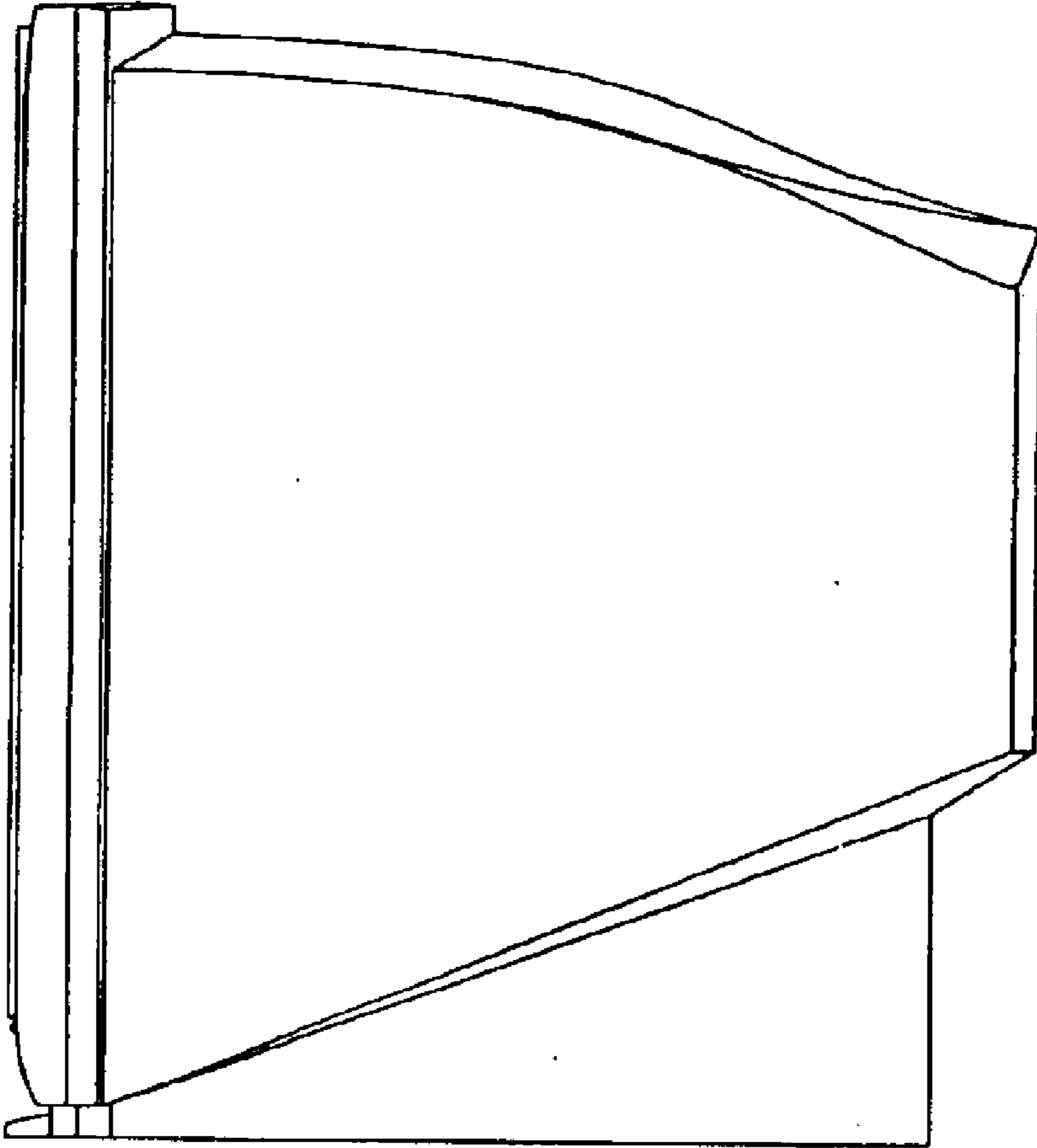


FIG. 5



**FIG. 6**