

US00D503156S

(12) **United States Design Patent**
Provenzano

(10) **Patent No.: US D503,156 S**
(45) **Date of Patent: ** Mar. 22, 2005**

- (54) **DOUBLE GANG FACE PLATE**
- (75) Inventor: **Charles J. Provenzano**, Houston, TX (US)
- (73) Assignee: **Direct Connect**, Houston, TX (US)
- (**) Term: **14 Years**
- (21) Appl. No.: **29/194,167**
- (22) Filed: **Nov. 20, 2003**
- (51) **LOC (7) Cl. 13-03**
- (52) **U.S. Cl. D13/156; D13/177**
- (58) **Field of Search D13/156, 154, 131, 144; 220/242; 174/66, 67, 55; D23/371, 373, 393, 375, 381, 386, 388**

- 5,664,955 A * 9/1997 Arnett 439/135
- D411,734 S * 6/1999 Hsiang D8/353
- D430,149 S * 8/2000 Afshar-Ghochani D14/240
- D495,041 S * 8/2004 Thomas D23/325

OTHER PUBLICATIONS

“Take Control!” advertisement; CustomRetailer Magazine, Sep./Oct. 2003; 1 page.

* cited by examiner

Primary Examiner—Alan P. Douglas

Assistant Examiner—Susan M Lee

(74) *Attorney, Agent, or Firm*—Conley Rose, P.C.; Mark E. Scott

(57) **CLAIM**

The ornamental design for a double gang face plate, as shown and described.

DESCRIPTION

FIG. 1 is a front perspective view of a double gang face plate in accordance with the Applicant’s design; FIG. 2 is a front elevational view thereof; FIG. 3 is a rear elevational view thereof; FIG. 4 is a left side elevational view thereof; FIG. 5 is a right side elevational view thereof; FIG. 6 is a top plan view thereof; and, FIG. 7 is a bottom plan view thereof.

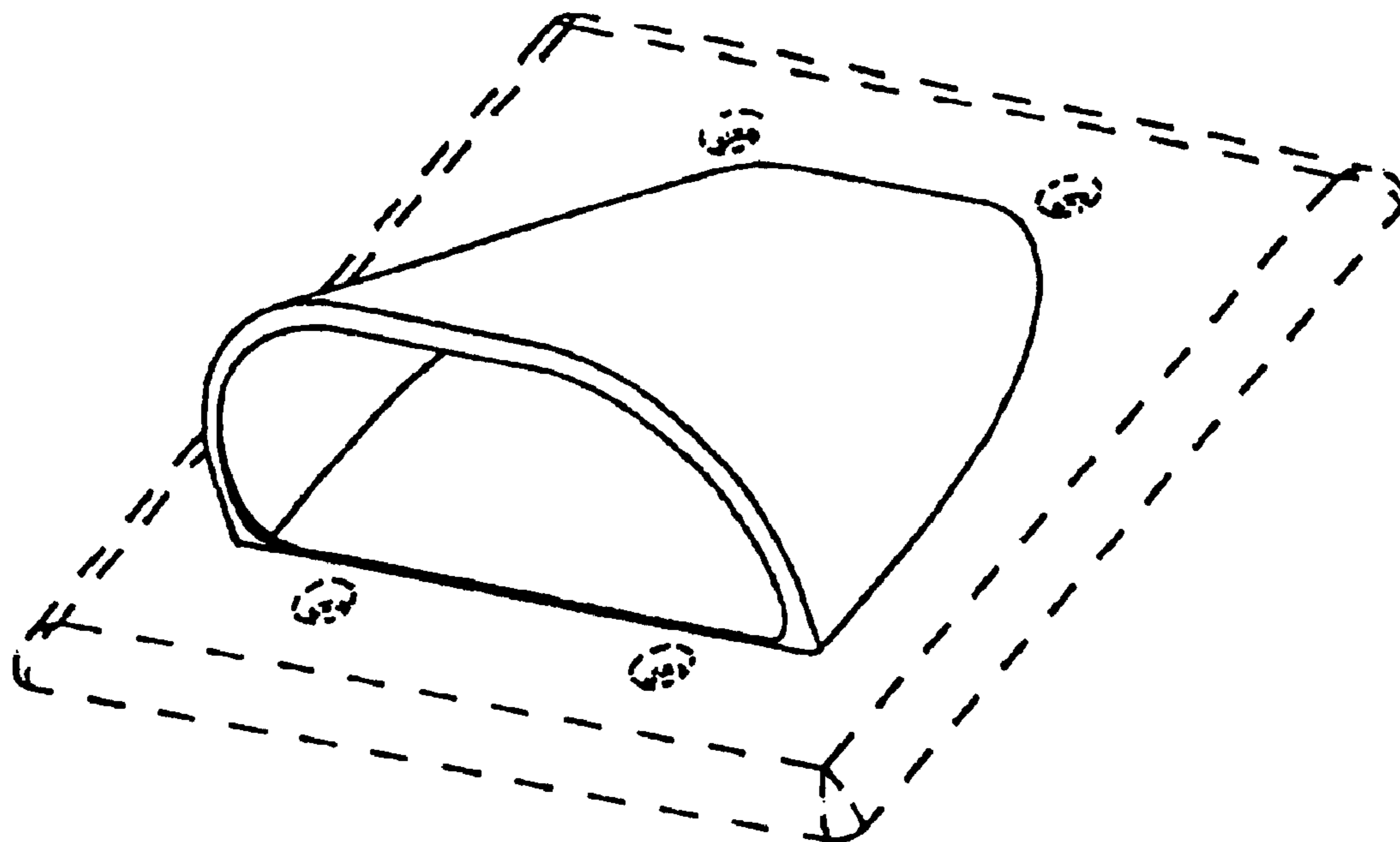
The components depicted in broken lines are for illustrative purposes only and form no part of the claimed design.

1 Claim, 7 Drawing Sheets

(56) **References Cited**

U.S. PATENT DOCUMENTS

- D126,098 S * 3/1941 McIntosh D8/353
- D131,009 S * 1/1942 Leslie D23/373
- D131,010 S * 1/1942 Leslie D23/373
- D134,477 S * 12/1942 Leslie D23/373
- D261,924 S * 11/1981 Donohue D23/386
- 4,688,747 A * 8/1987 Helmsdorfer et al. 248/56
- D321,557 S * 11/1991 Bezick et al. D23/393
- D346,587 S * 5/1994 Herman et al. D13/177
- D350,278 S * 9/1994 Figueroa D8/353
- D370,890 S * 6/1996 Tiberio, Jr. D13/146
- D379,797 S * 6/1997 Arnett D13/156



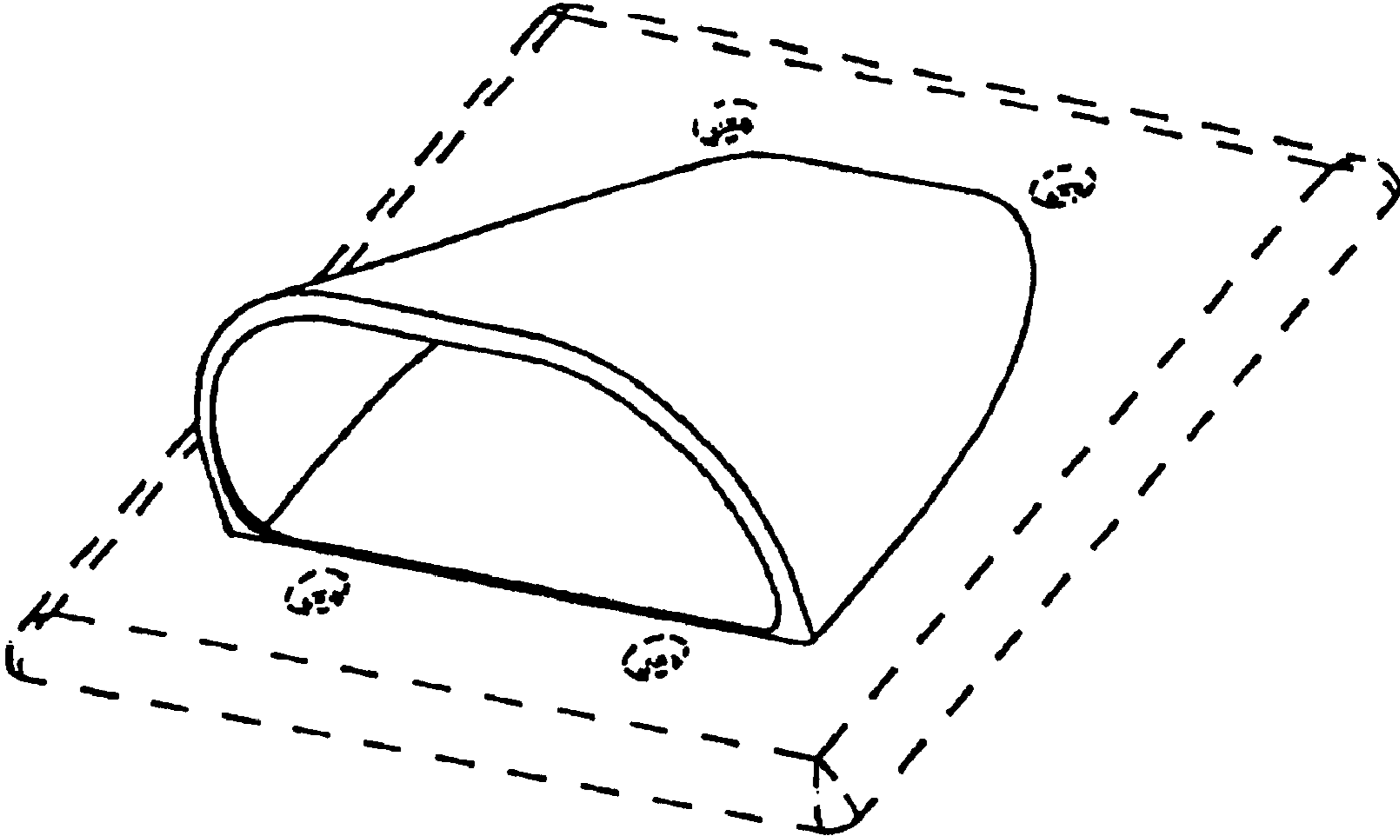


FIGURE 1

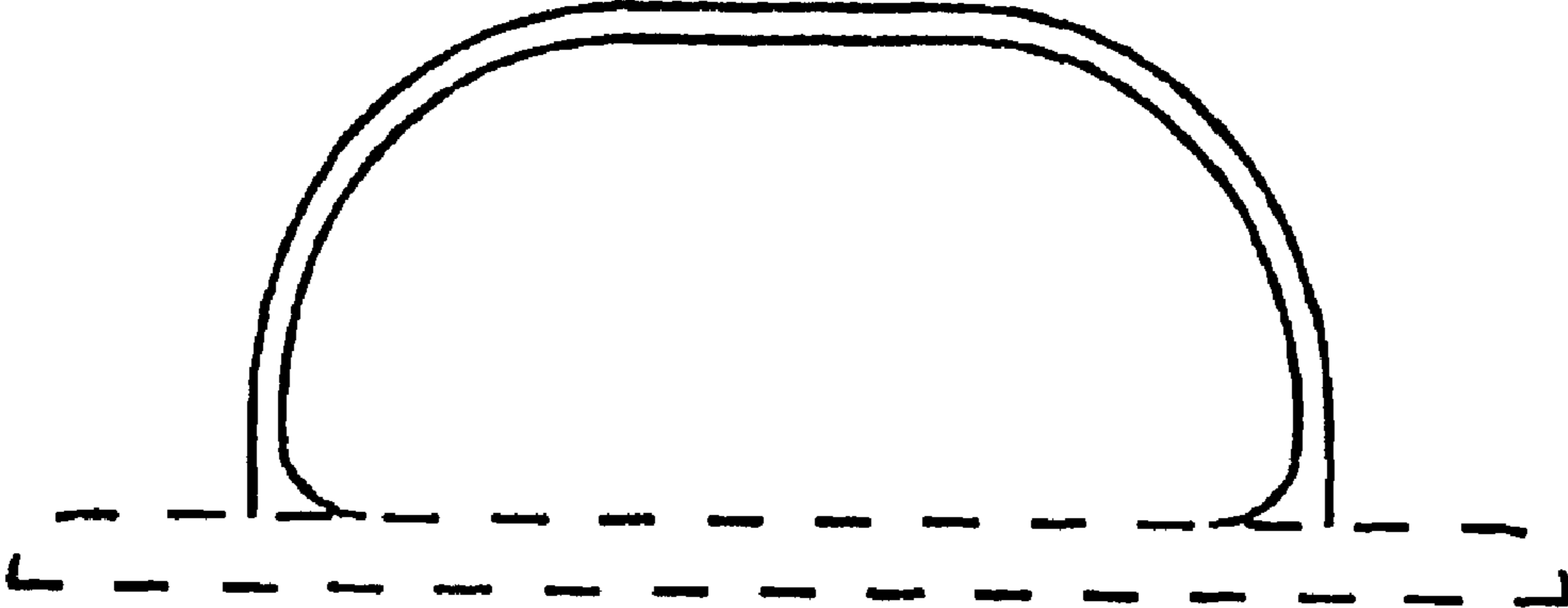


FIGURE 2

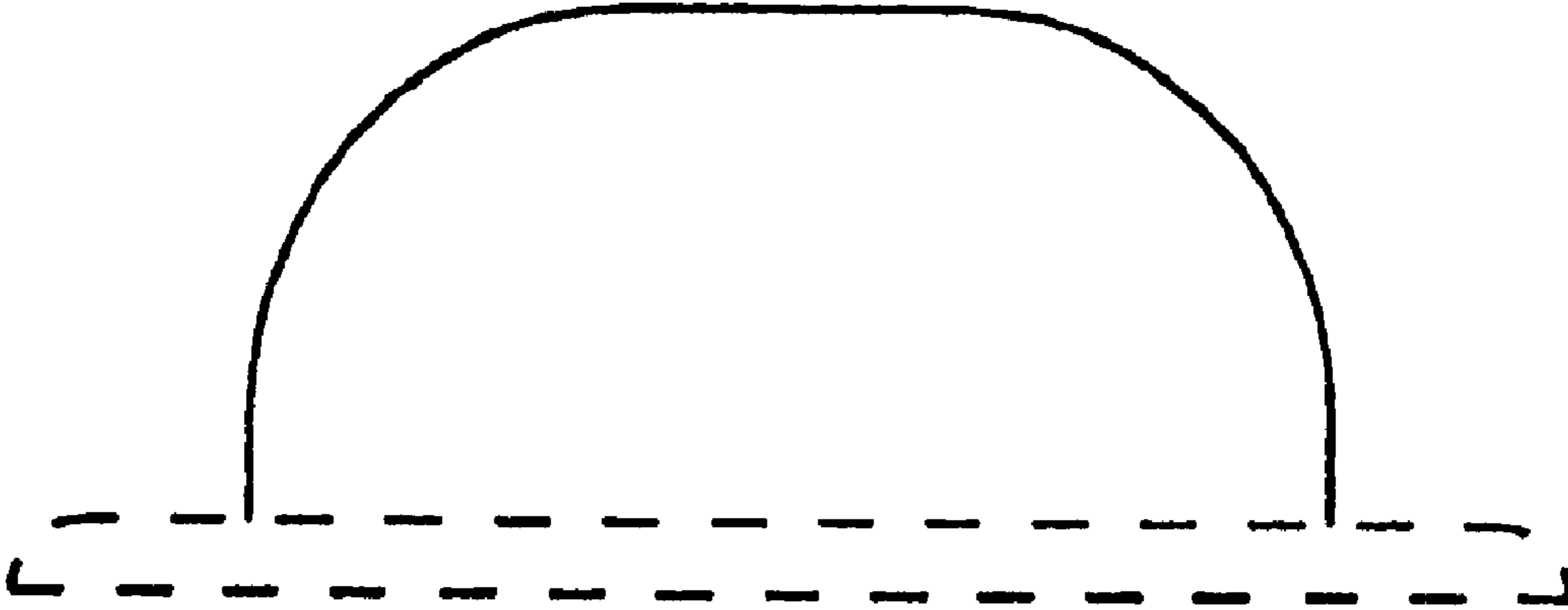


FIGURE 3

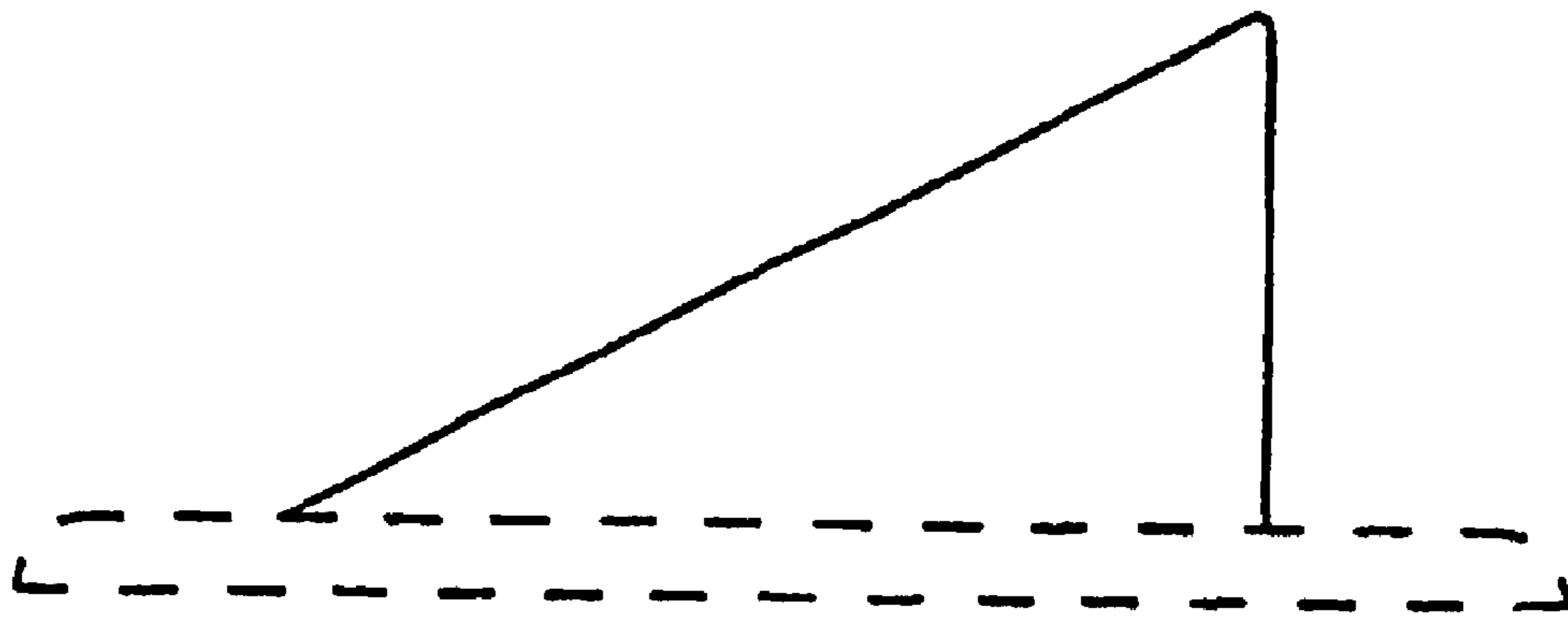


FIGURE 4

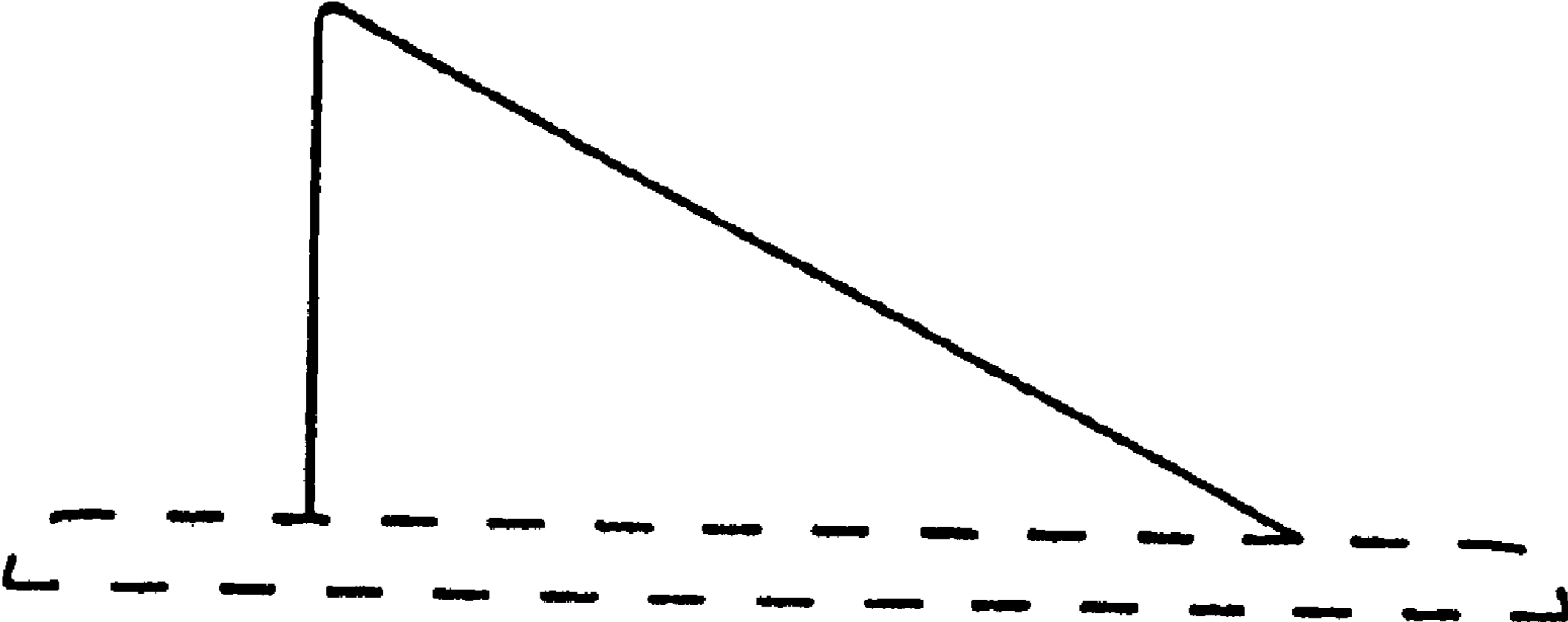


FIGURE 5

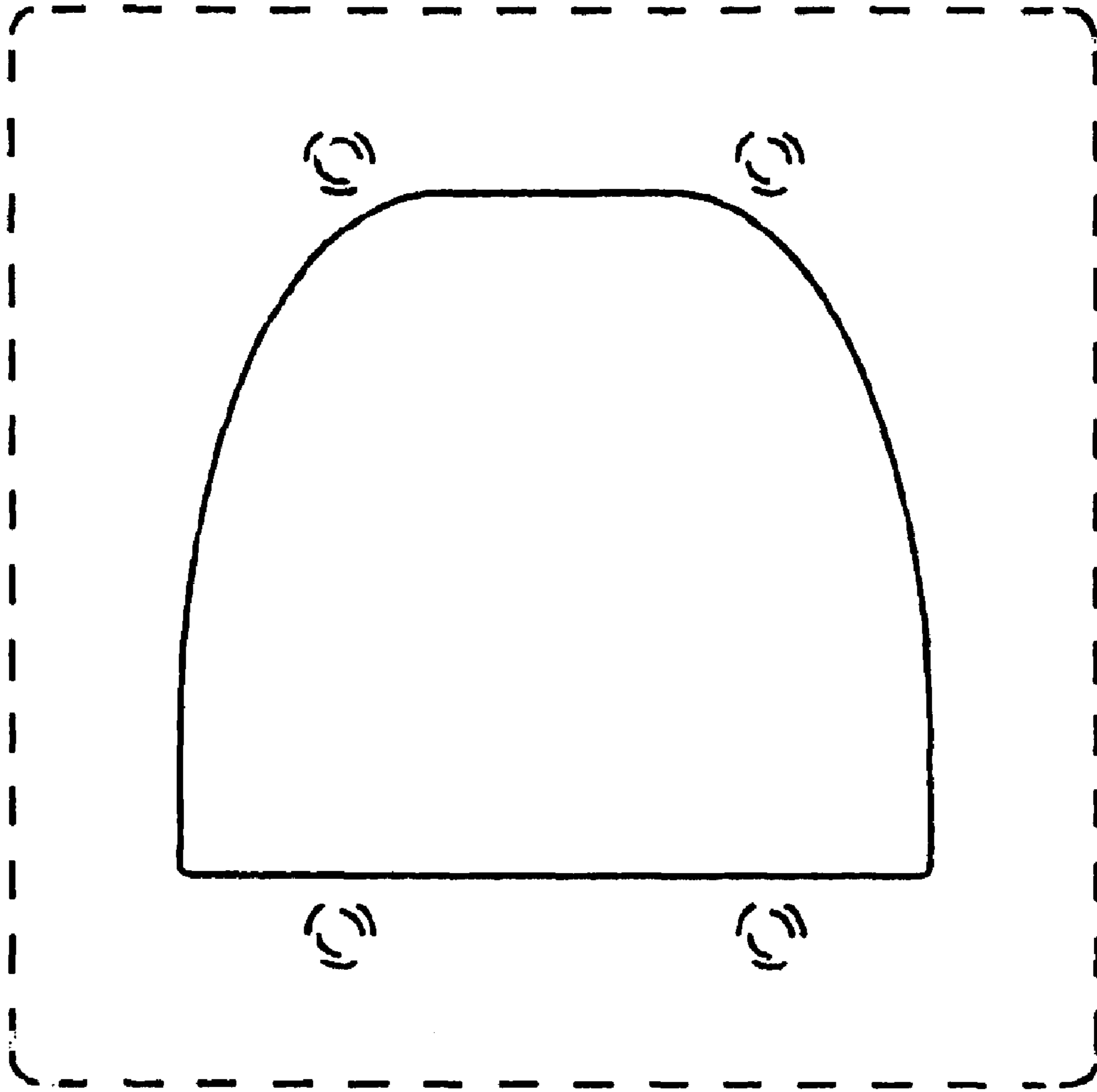


FIGURE 6

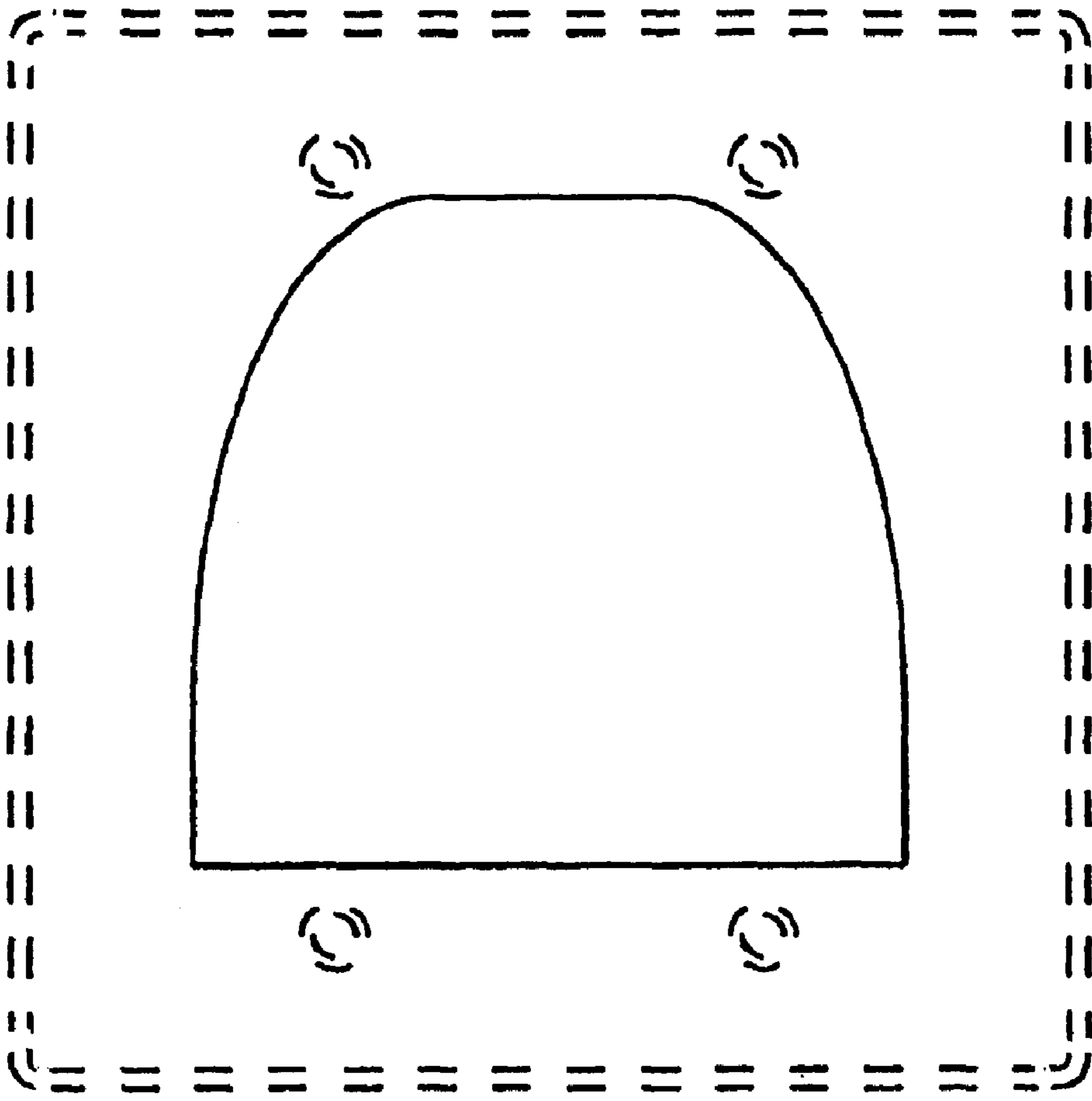


FIGURE 7