

US00D503154S

(12) **United States Design Patent**
Uchida et al.

(10) **Patent No.:** **US D503,154 S**
(45) **Date of Patent:** **** Mar. 22, 2005**

(54) **WIRE DUCT**

4,822,292 A * 4/1989 Thayer et al. 439/207

(75) Inventors: **Takeshi Uchida**, Katano (JP); **Masato Toki**, Katano (JP)

* cited by examiner

(73) Assignee: **Matsushita Electric Rowks, Ltd.**, Osaka (JP)

Primary Examiner—Alan P. Douglas

Assistant Examiner—Susan M Lee

(74) *Attorney, Agent, or Firm*—Osha & May L.L.P.

(**) Term: **14 Years**

(57) **CLAIM**

The ornamental design for a wire duct, as shown and described.

(21) Appl. No.: **29/173,311**

(22) Filed: **Dec. 26, 2002**

DESCRIPTION

(30) **Foreign Application Priority Data**

Aug. 26, 2002 (JP) 2002-022648

FIG. 1 is a front view of the design according to one embodiment of the invention.

FIG. 2 is a rear view of the design according to one embodiment of the invention.

(51) **LOC (7) Cl.** **13-03**

(52) **U.S. Cl.** **D13/155**

(58) **Field of Search** D13/155; D25/126, D25/122; 174/72 C, 97, 68.3, 101, 49, 48; 439/110, 115, 117, 111; 339/21 R, 22 R, 23

FIG. 3 is a top view of the design according to one embodiment of the invention.

FIG. 4 is a bottom view of the design according to one embodiment of the invention.

FIG. 5 is a left side view of the design according to one embodiment of the invention.

(56) **References Cited**

U.S. PATENT DOCUMENTS

3,613,045 A * 10/1971 Routh et al. 439/117

3,649,951 A * 3/1972 Routh et al. 439/117

3,757,063 A * 9/1973 Hart et al. 200/51.07

3,831,130 A * 8/1974 Valtonen 439/115

4,163,595 A * 8/1979 Vasseur 439/121

4,217,018 A * 8/1980 Yoshida et al. 439/118

FIG. 6 is a right side view of the design according to one embodiment of the invention.

FIG. 7 is an expanded cross-sectional view of the design cut along the A—A line of FIG. 3; and,

FIG. 8 is a perspective view of the design according to one embodiment of the invention.

1 Claim, 5 Drawing Sheets

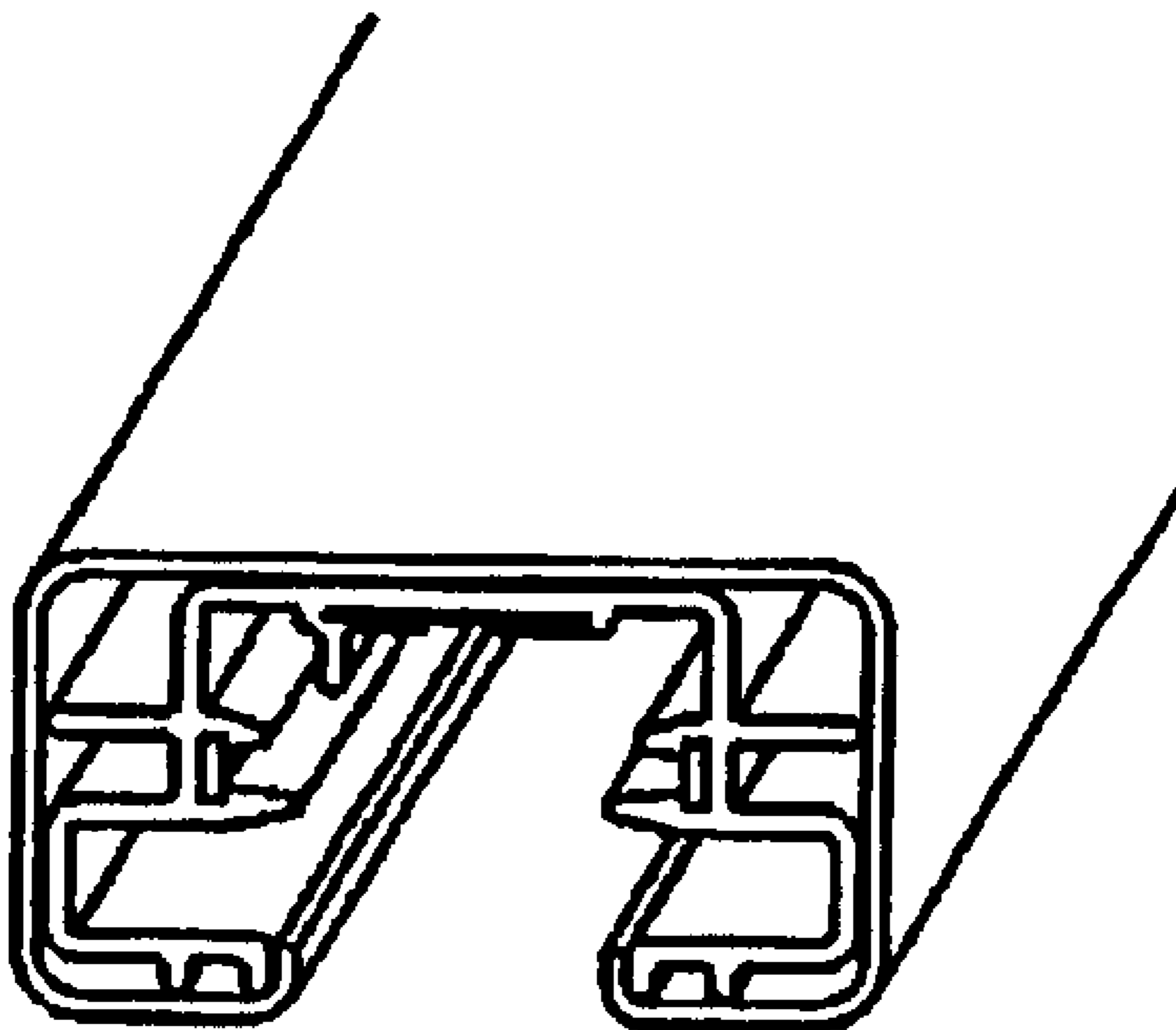


FIG. 1

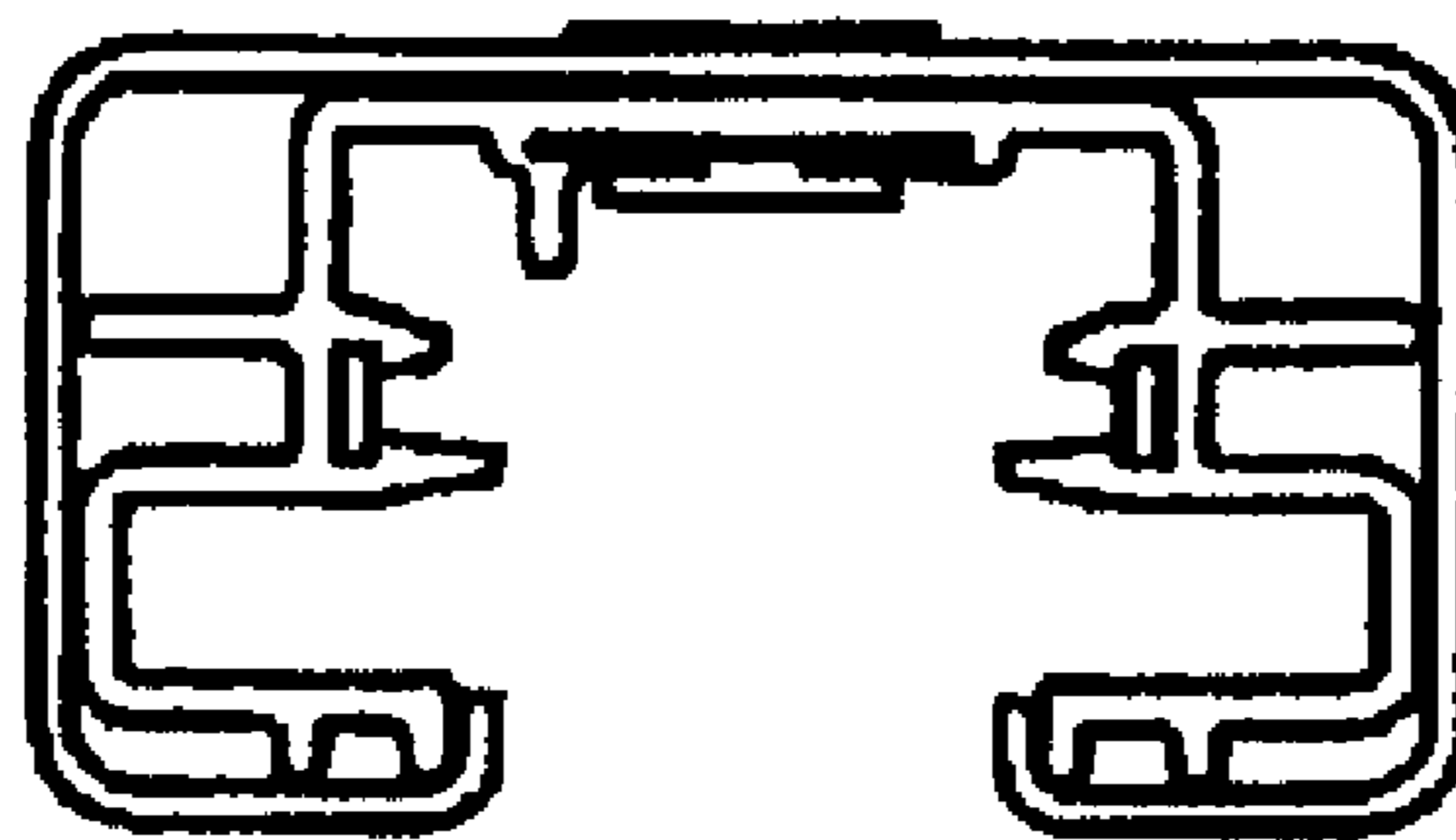


FIG. 2

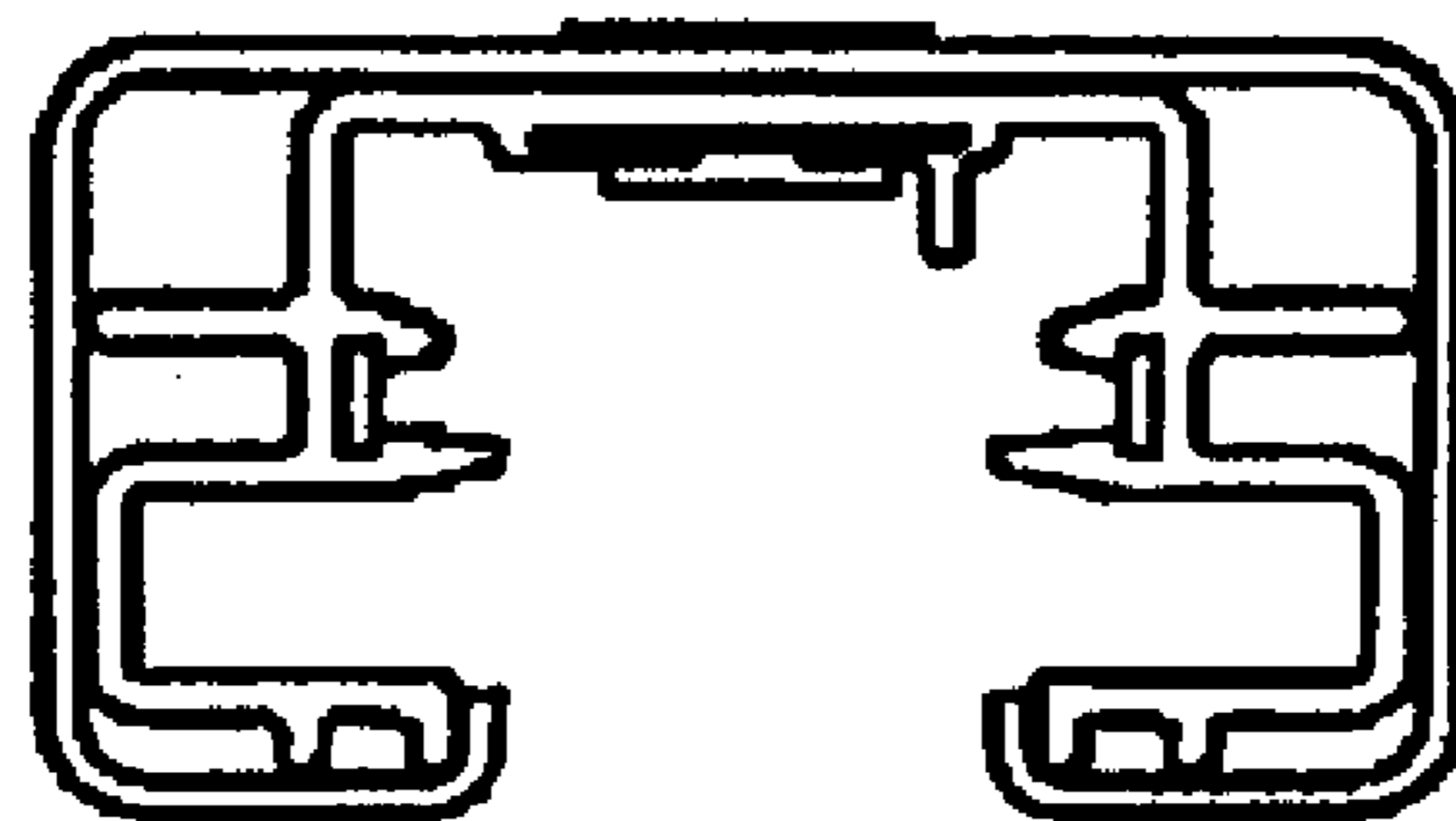


FIG. 3

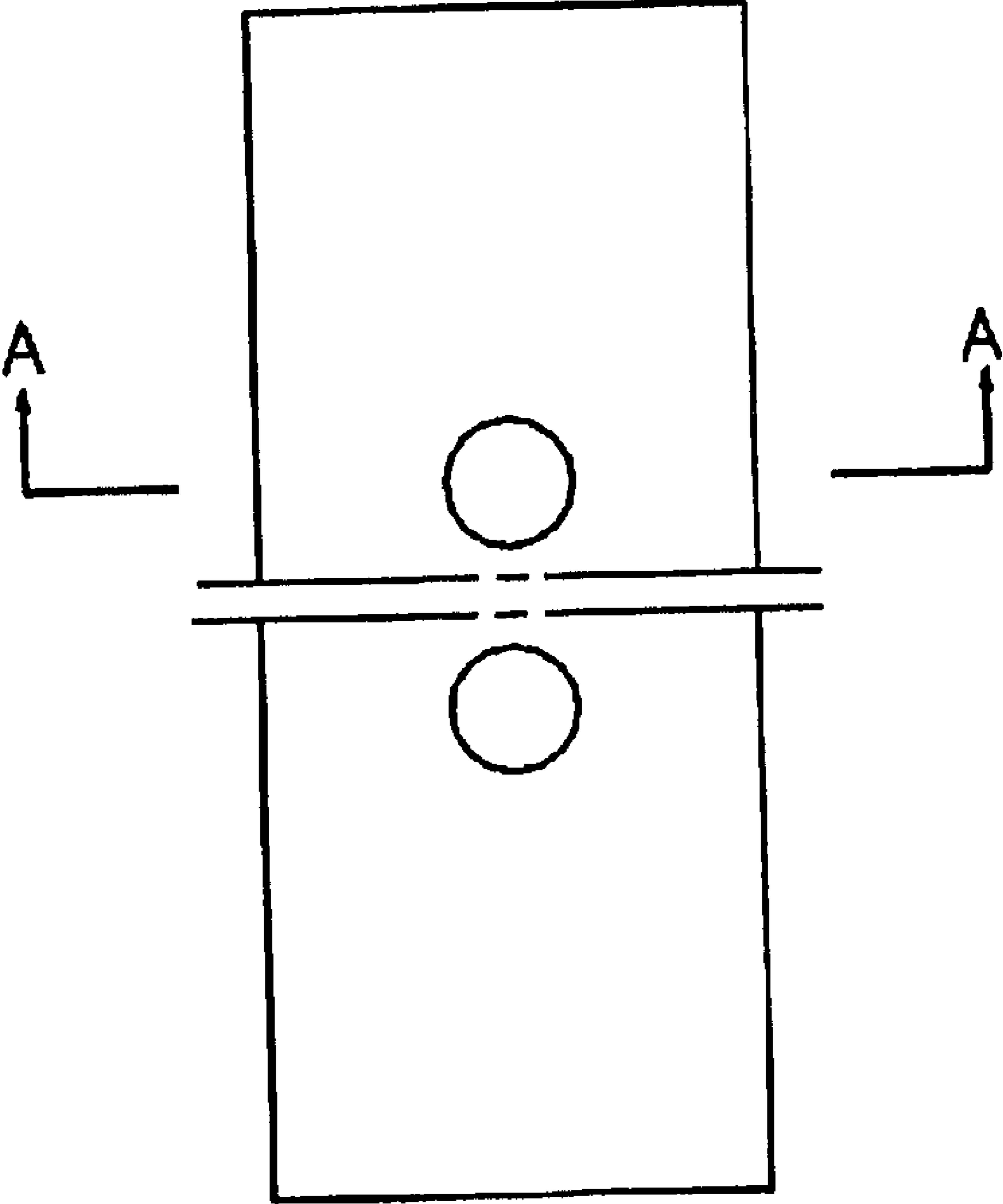


FIG. 4

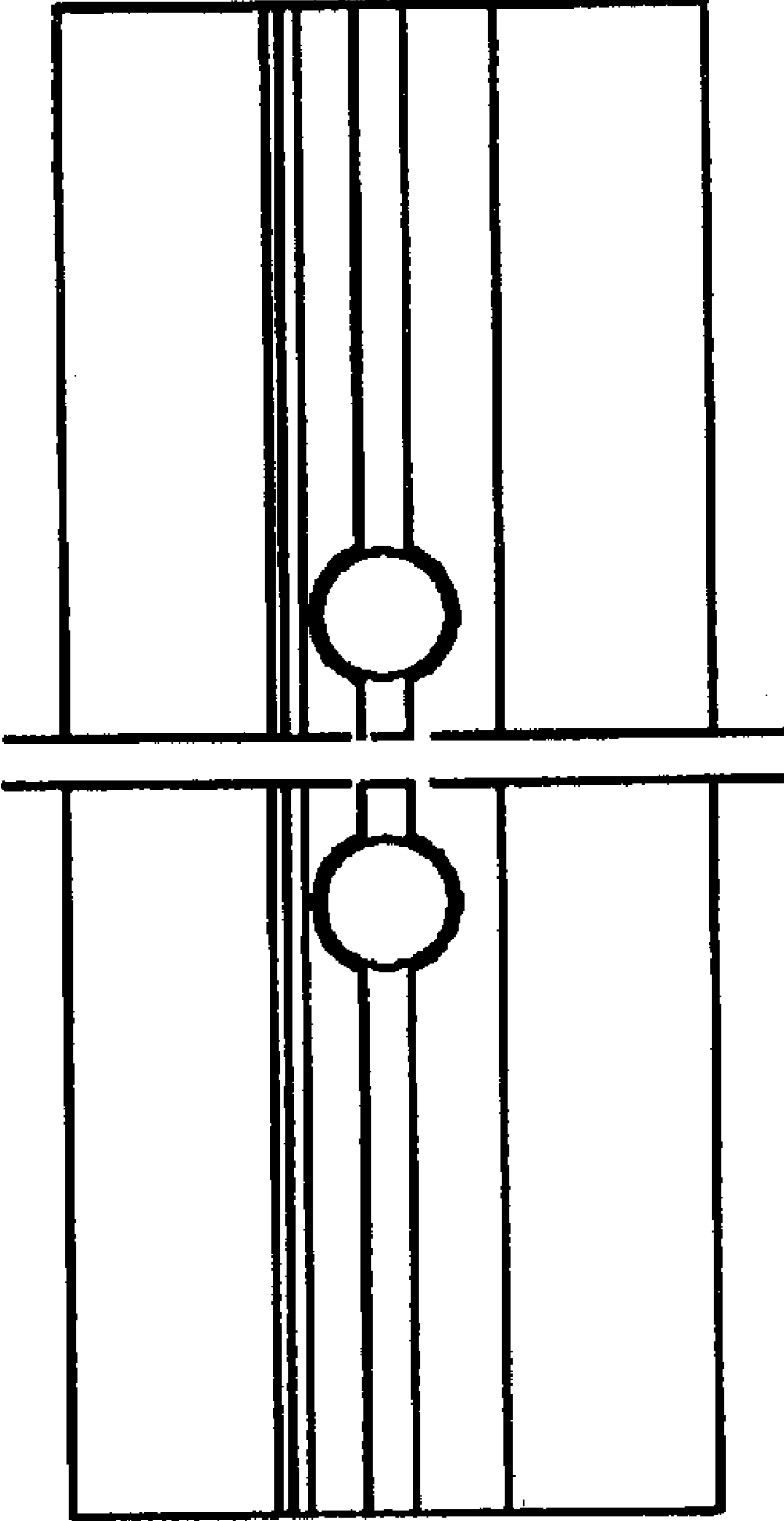


FIG. 5

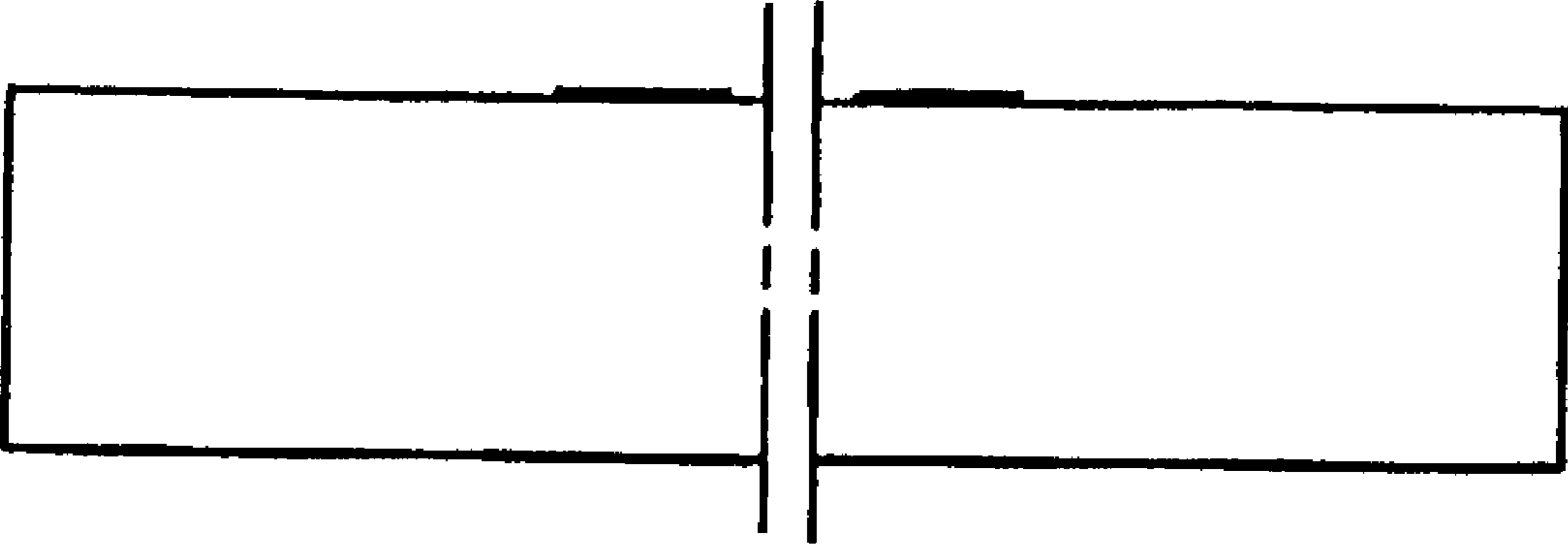


FIG. 6

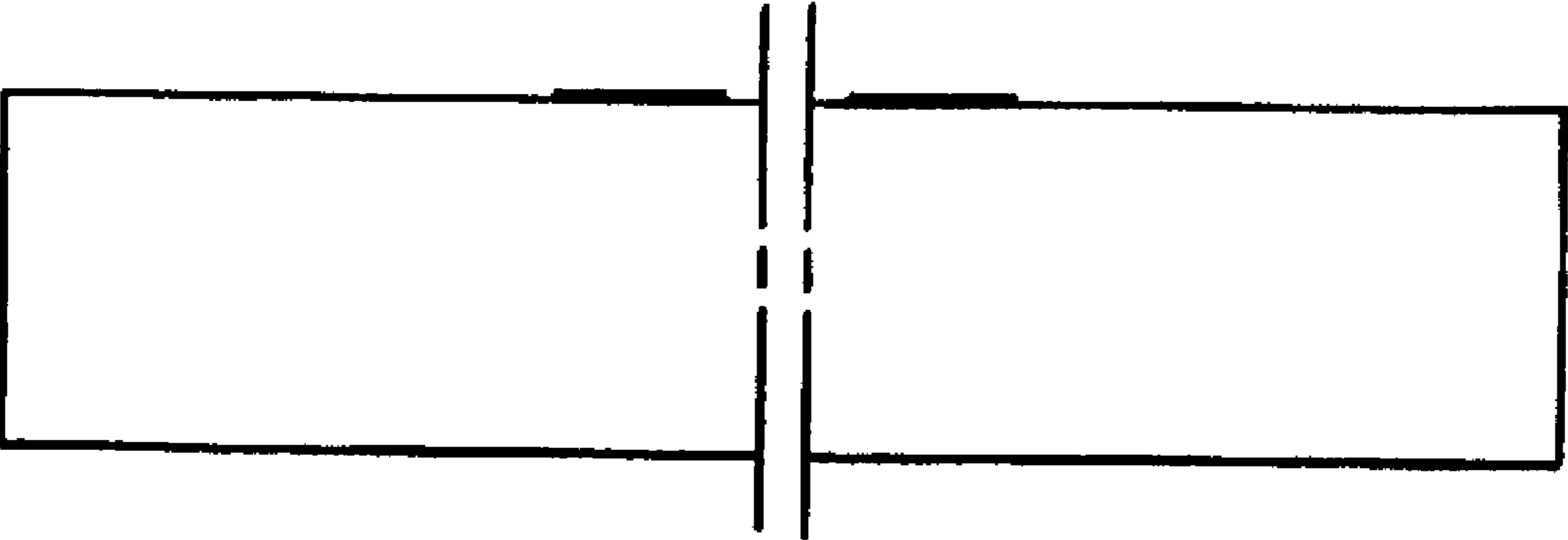


FIG. 7

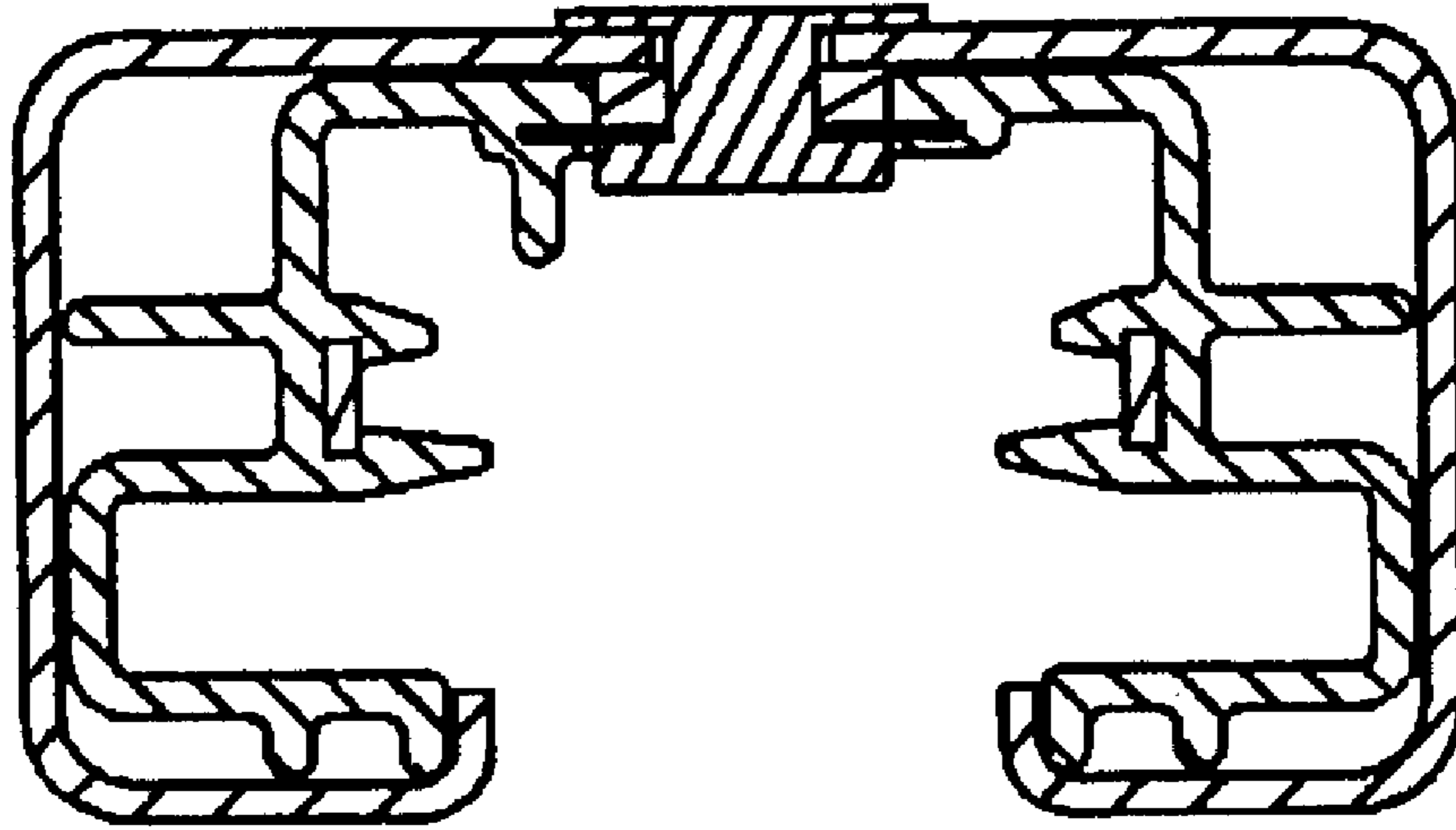
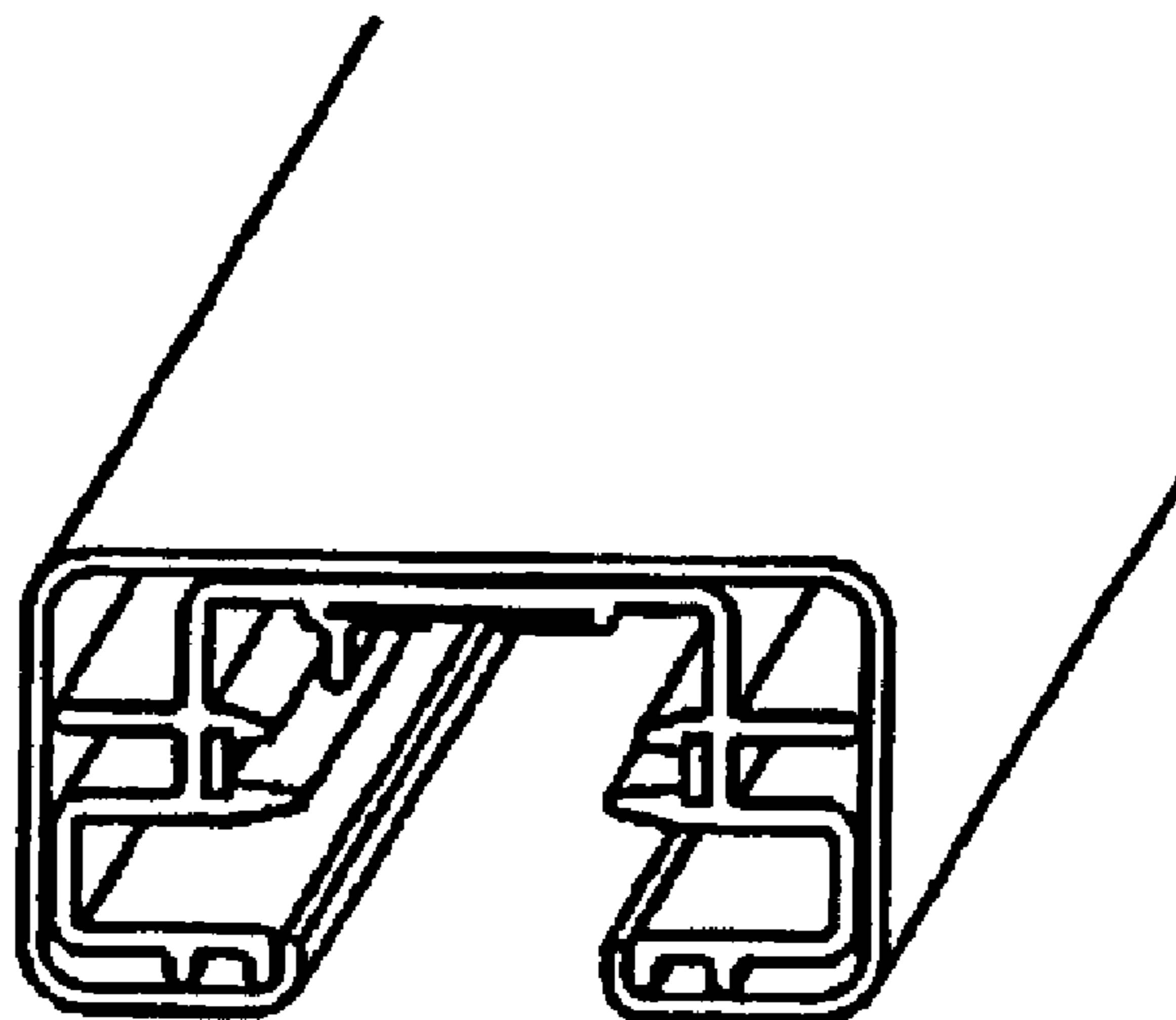


FIG. 8



UNITED STATES PATENT AND TRADEMARK OFFICE
CERTIFICATE OF CORRECTION

PATENT NO. : Des. 503,154 S
DATED : March 22, 2005
INVENTOR(S) : Takeshi Uchida et al.

Page 1 of 1

It is certified that error appears in the above-identified patent and that said Letters Patent is hereby corrected as shown below:

Title page,
Item [73], Assignee, please replace “**Matsushita Electric Rowks, Ltd.**” with
-- **Matsushita Electric Works, Ltd.** --

Signed and Sealed this

Thirty-first Day of May, 2005

A handwritten signature in black ink on a light gray dotted background. The signature reads "Jon W. Dudas" in a cursive style.

JON W. DUDAS

Director of the United States Patent and Trademark Office