

US00D503152S

(12) **United States Design Patent**
Suckle et al.

(10) **Patent No.: US D503,152 S**
(45) **Date of Patent: ** Mar. 22, 2005**

(54) **CABLE HEAD**

D455,401 S * 4/2002 Goto D13/147
6,428,357 B1 * 8/2002 Dolinshek et al. 439/606

(75) Inventors: **Mitchell Suckle**, Long Beach, CA
(US); **David Goetz**, Los Angeles, CA
(US)

* cited by examiner

Primary Examiner—Alan P. Douglas
Assistant Examiner—Cynthia M. Chin
(74) *Attorney, Agent, or Firm*—Bryan Cave LLP

(73) Assignee: **Belkin Corporation**, Compton, CA
(US)

(57) **CLAIM**

(**) Term: **14 Years**

The ornamental design for the cable head, as shown and described.

(21) Appl. No.: **29/196,897**

(22) Filed: **Jan. 6, 2004**

DESCRIPTION

(51) **LOC (7) Cl.** **13-03**

(52) **U.S. Cl.** **D13/154**

(58) **Field of Search** D13/133, 146,
D13/147, 154; 439/447, 582, 694, 884

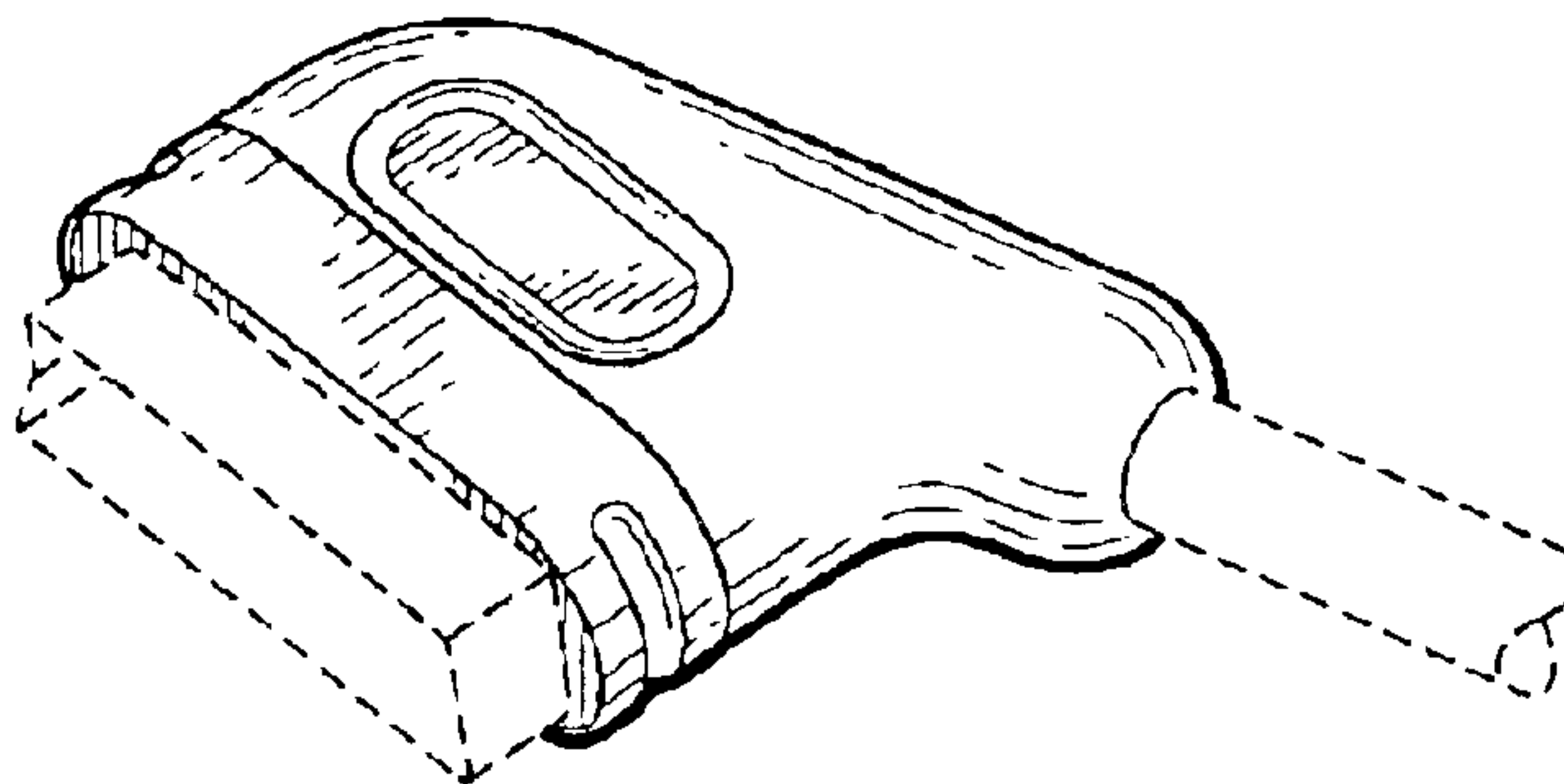
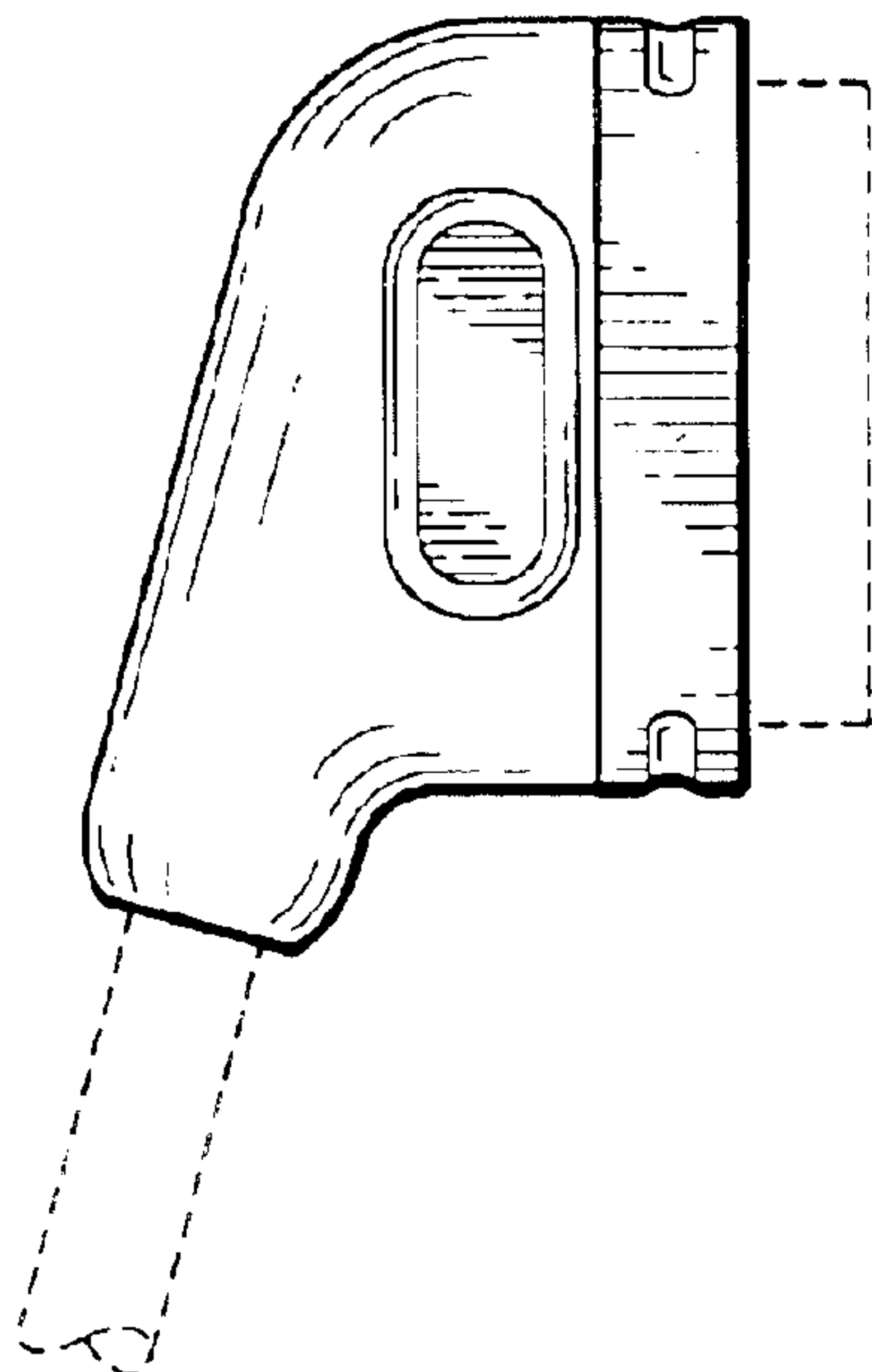
FIG. 1 is a top planar view of a cable head;
FIG. 2 is a bottom planar view thereof;
FIG. 3 is a right side elevational view thereof;
FIG. 4 is a left side elevational view thereof;
FIG. 5 is a front elevational view thereof;
FIG. 6 is a rear elevational view thereof;
FIG. 7 is a front, left, bottom isometric view thereof; and,
FIG. 8 is a rear, right, top isometric view thereof.
The broken lines are for illustrative purposes only and form no part of the claimed design.

(56) **References Cited**

U.S. PATENT DOCUMENTS

D229,314 S * 11/1973 Averitt D13/151
4,838,808 A * 6/1989 Fujitara 439/357
D415,111 S * 10/1999 Lee D13/154
D444,788 S * 7/2001 Do et al. D14/433

1 Claim, 2 Drawing Sheets



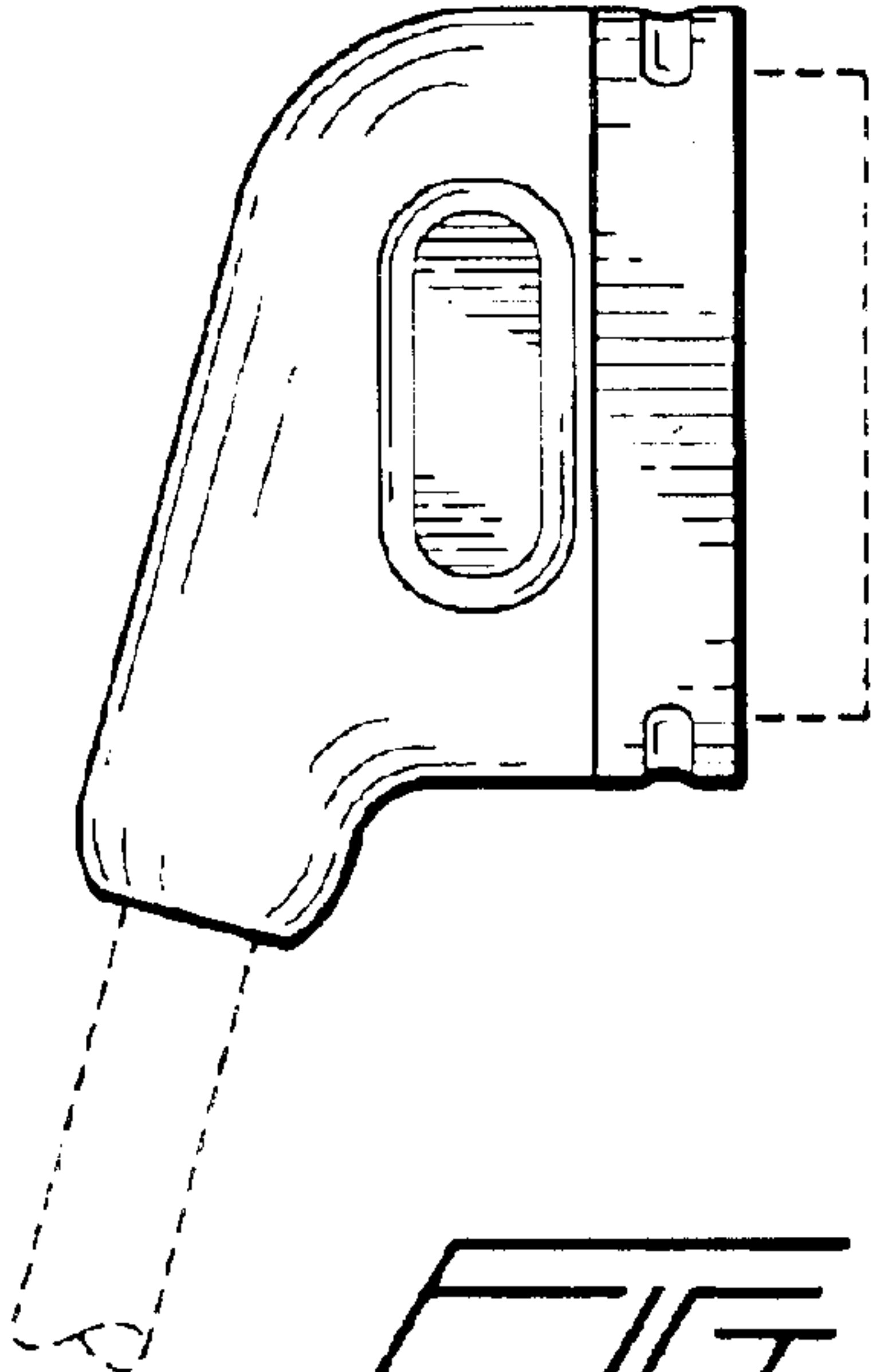


FIG. 1

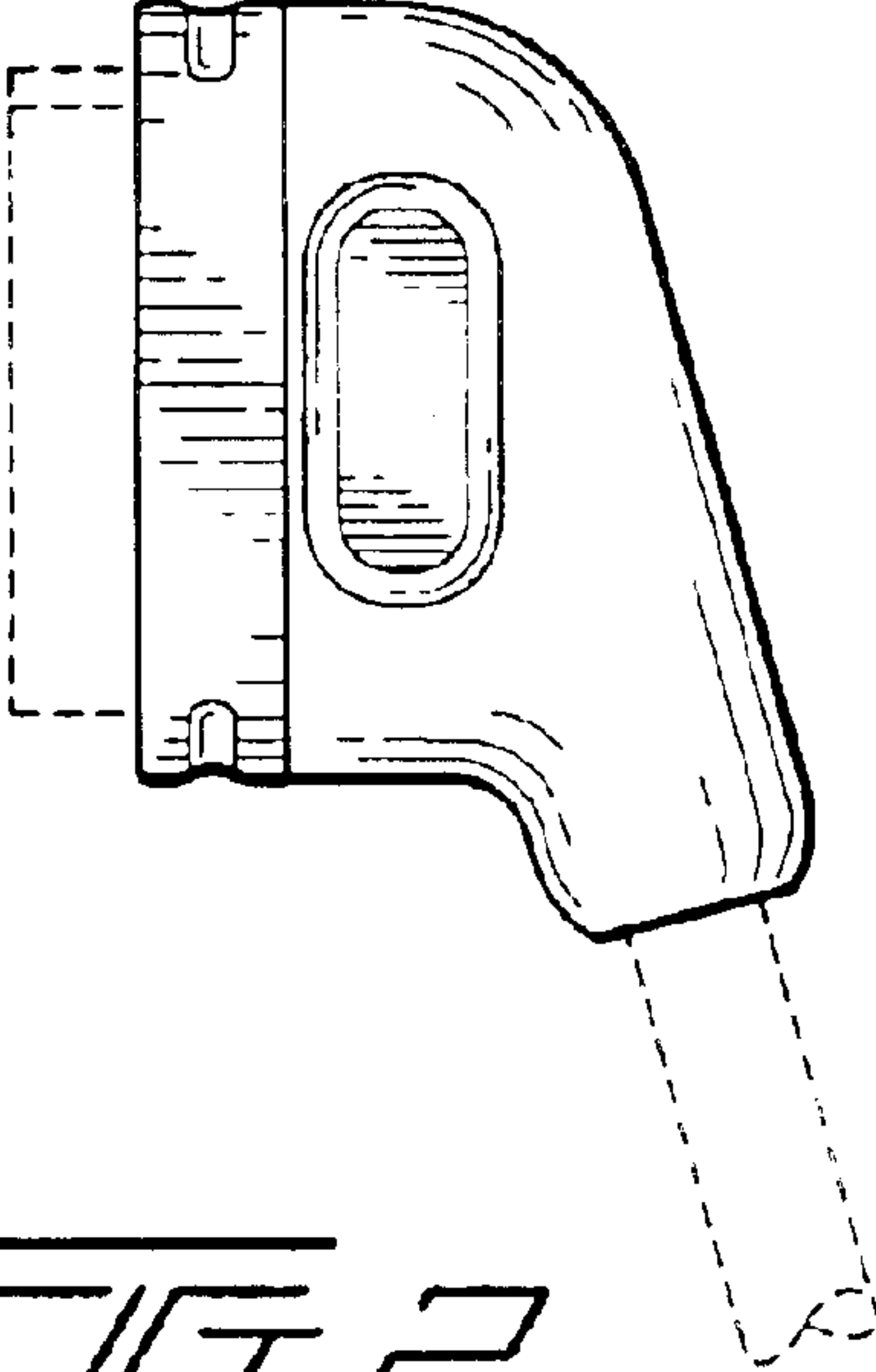


FIG. 2

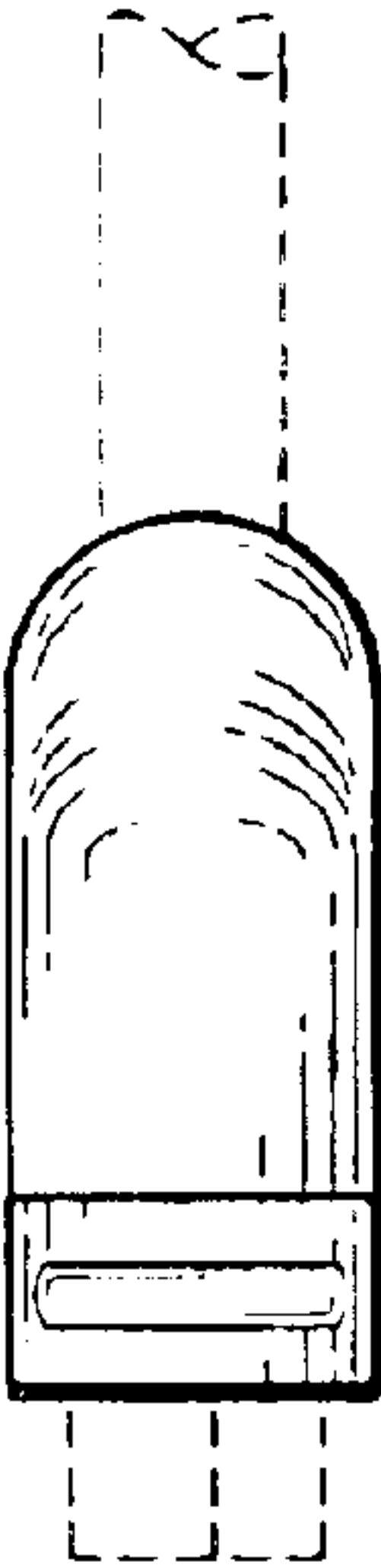


FIG. 3

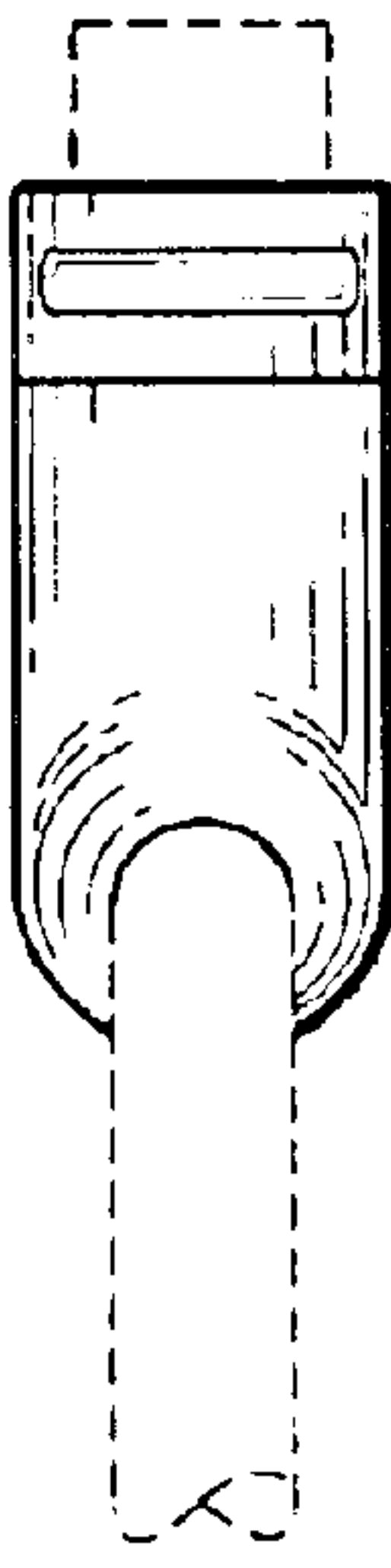


FIG. 4

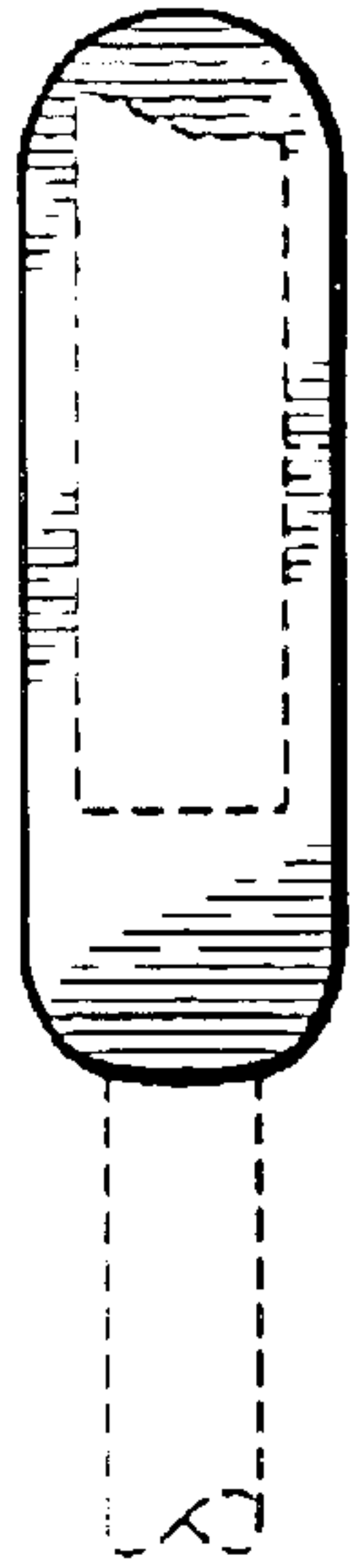


FIG. 5

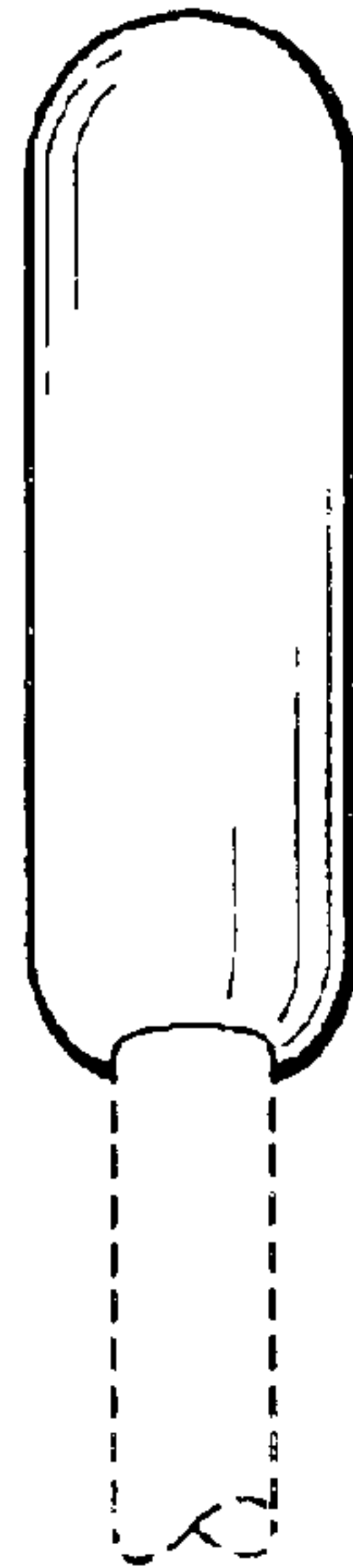


FIG. 6

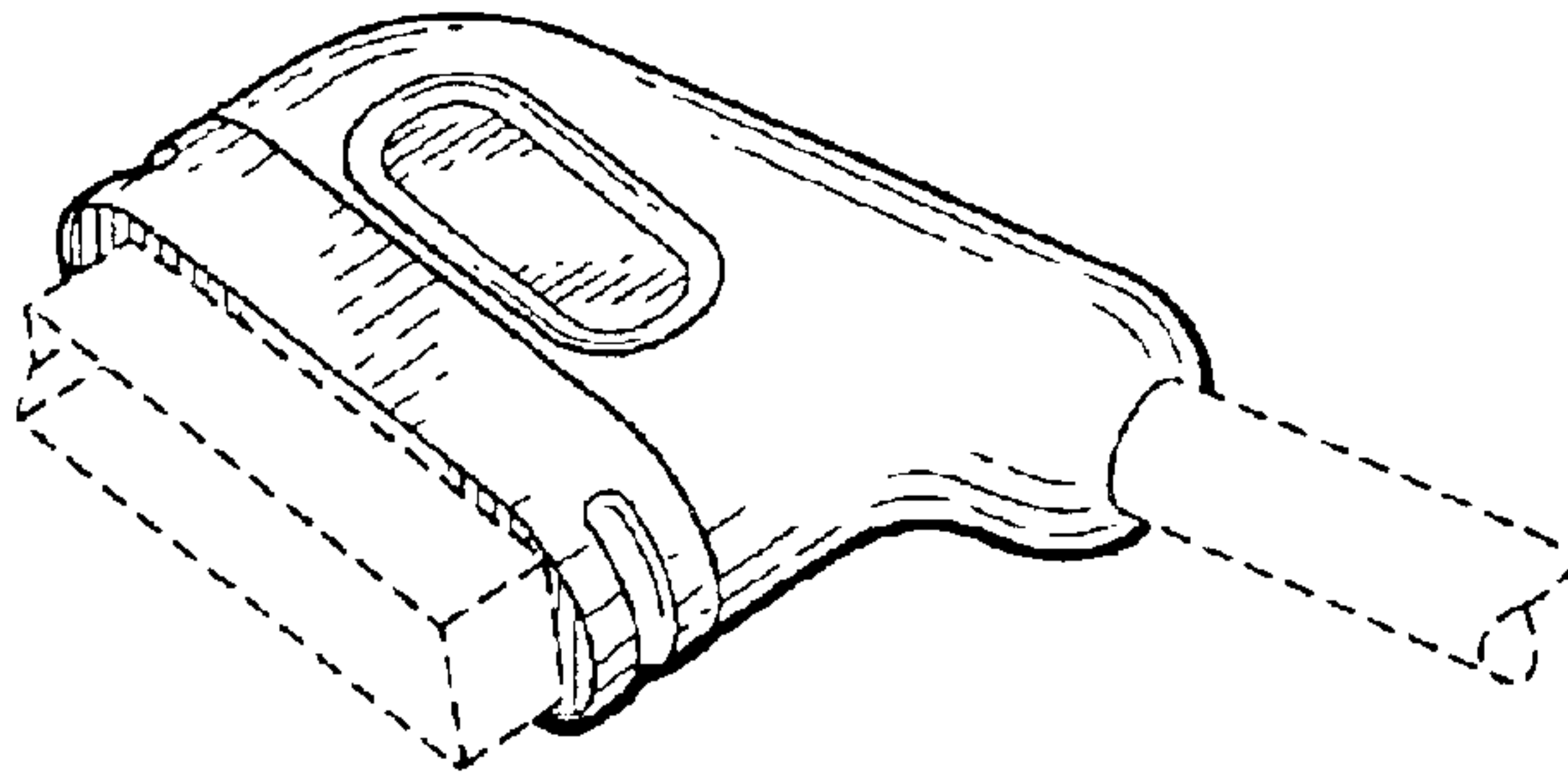


FIG. 7

FIG. 8

