

US00D503149S

(12) **United States Design Patent**
Teramae et al.

(10) **Patent No.:** **US D503,149 S**
(45) **Date of Patent:** **** Mar. 22, 2005**

(54) **POWER CONVERTER**

D475,012 S * 5/2003 Ando et al. D13/118

(75) Inventors: **Satoshi Teramae**, Kawasaki (JP); **Yoko Sakiyama**, Kawasaki (JP)

FOREIGN PATENT DOCUMENTS

(73) Assignee: **Kabushiki Kaisha Toshiba** (JP)

JP	963725	9/1996
JP	963725-1	10/1996
JP	1145590	7/2002

(**) Term: **14 Years**

OTHER PUBLICATIONS

(21) Appl. No.: **29/193,447**

Mitsubishi IPM (PM1200HCE330-1, Nikkan Kogyo Shim-bun, Jun. 7, 2001.

(22) Filed: **Nov. 12, 2003**

* cited by examiner

(30) **Foreign Application Priority Data**

May 19, 2003 (JP) 2003-013812

Primary Examiner—Stella Reid

Assistant Examiner—Daniel Bui

(51) **LOC (7) Cl.** **13-02**

(74) *Attorney, Agent, or Firm*—Banner & Witcoff, Ltd.

(52) **U.S. Cl.** **D13/110**

(57) **CLAIM**

(58) **Field of Search** D13/101, 110,
D13/112, 118, 182, 184, 199; 174/59; 257/687,
724; 361/736, 752; 363/37, 141, 144

The ornamental design for a power converter, as shown and described.

(56) **References Cited**

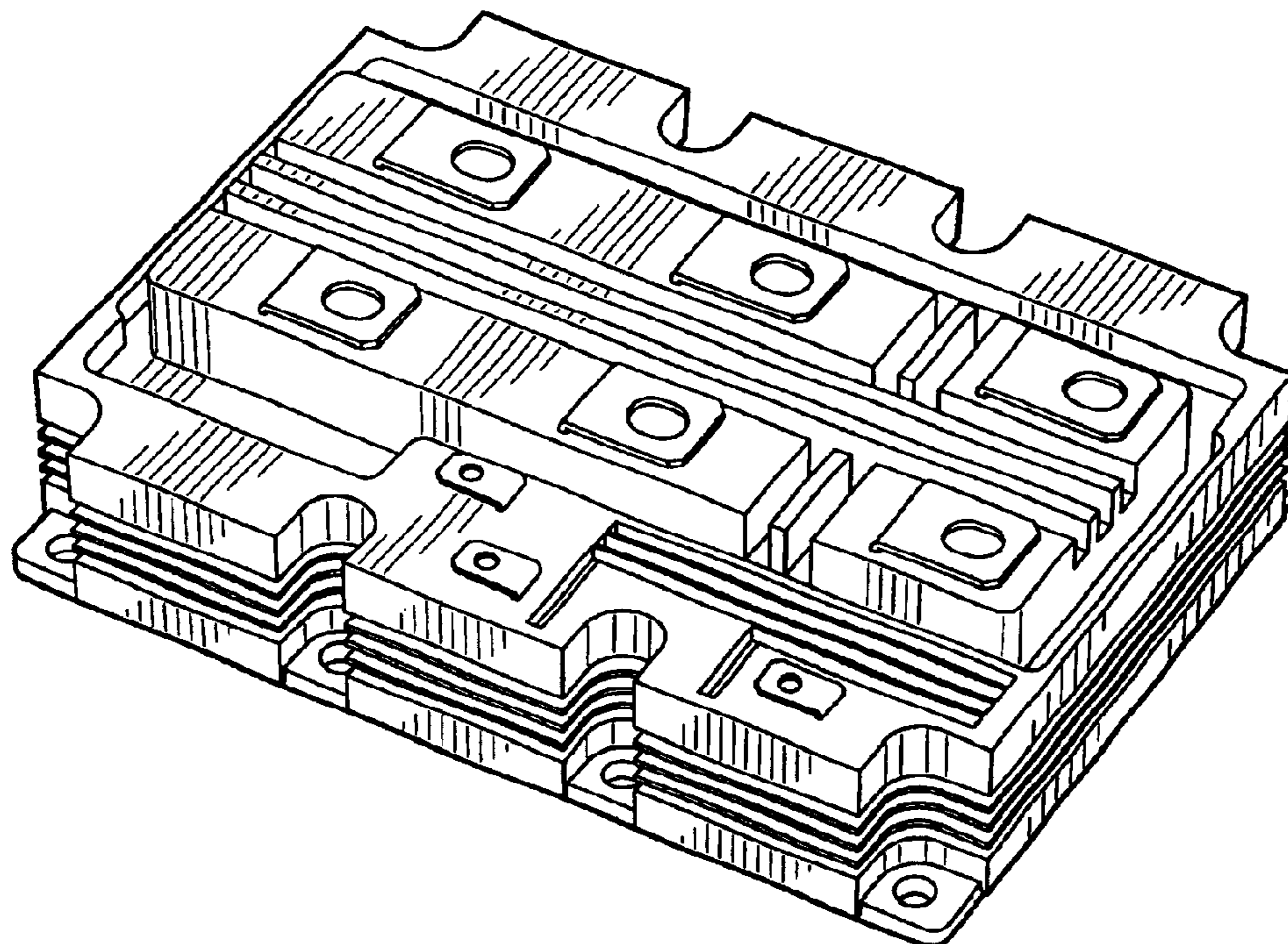
DESCRIPTION

U.S. PATENT DOCUMENTS

D340,907 S	*	11/1993	Smith et al.	D13/110
D356,291 S	*	3/1995	Kawamura	D13/110
D357,672 S	*	4/1995	Terasawa et al.	D13/182
D362,839 S	*	10/1995	Tamaki	D13/110
D363,056 S	*	10/1995	Vinciarelli et al.	D13/110
D396,450 S	*	7/1998	Nishiura et al.	D13/182
D464,618 S	*	10/2002	Ando et al.	D13/110
D466,076 S	*	11/2002	Nagashima et al.	D13/110
D469,059 S		1/2003	Ando et al.	

FIG. 1 is a front, bottom and right side perspective view of a power converter, showing our new design;
FIG. 2 is a front elevational view thereof;
FIG. 3 is a top plan view thereof;
FIG. 4 is a bottom plan view thereof;
FIG. 5 is a left side elevational view thereof;
FIG. 6 is a right side elevational view thereof; and,
FIG. 7 is a rear elevational view thereof.

1 Claim, 3 Drawing Sheets



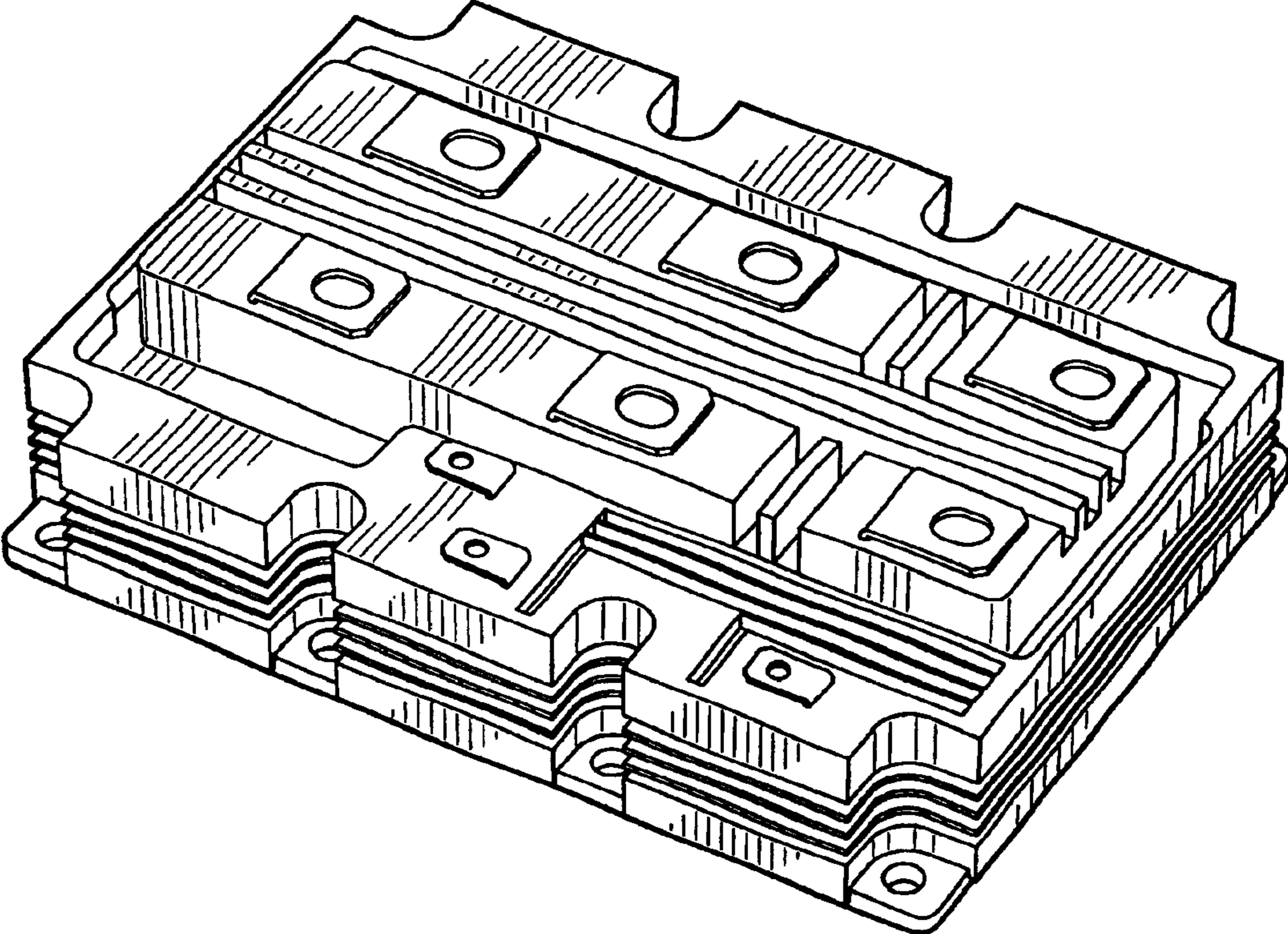


FIG. 1

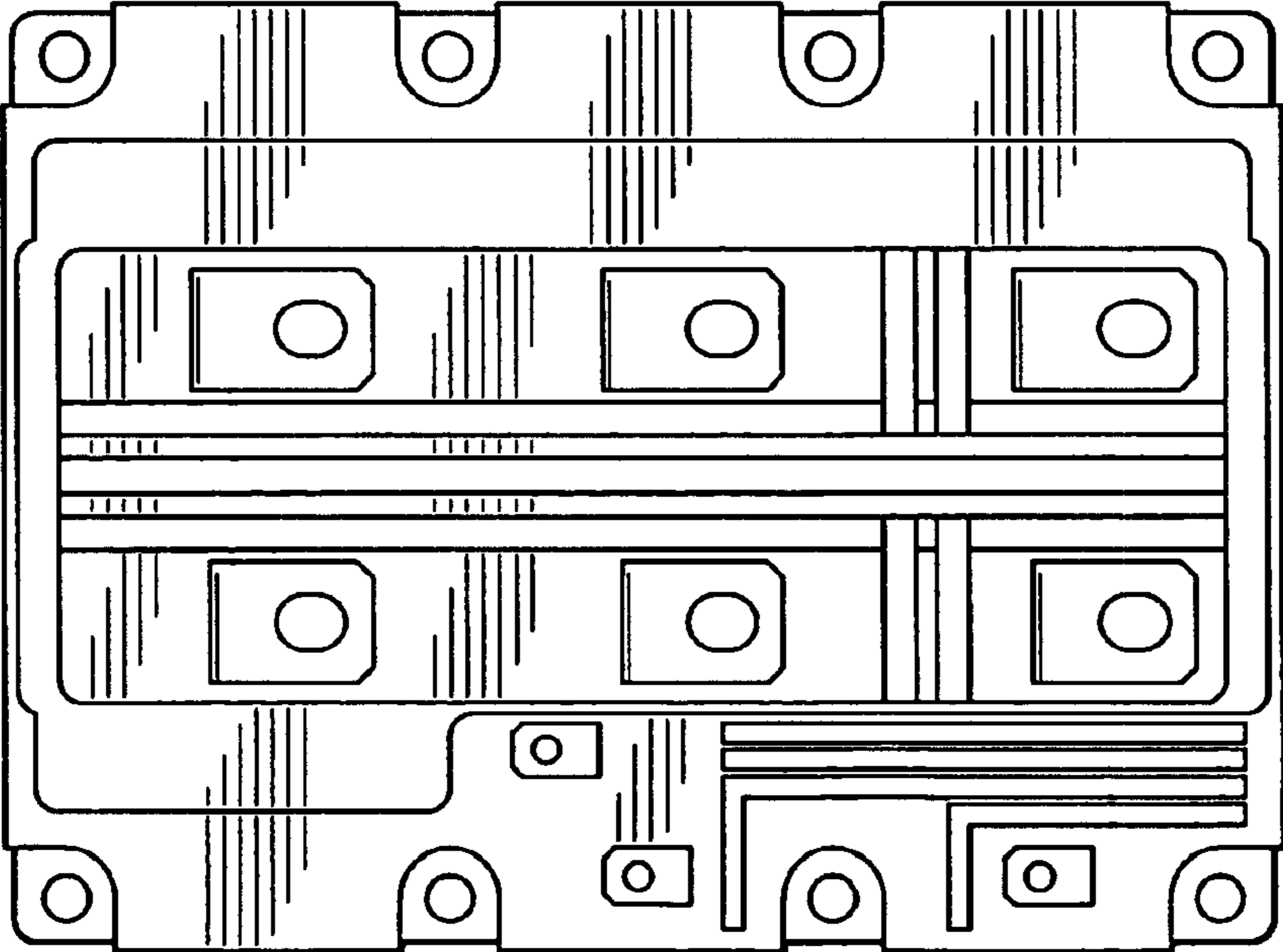


FIG. 2

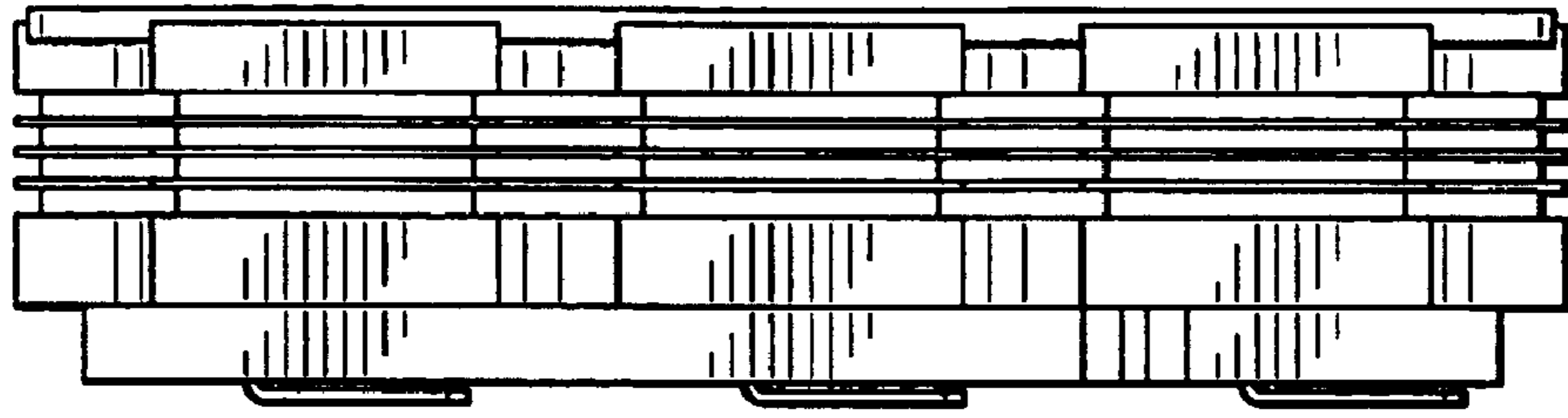


FIG.3

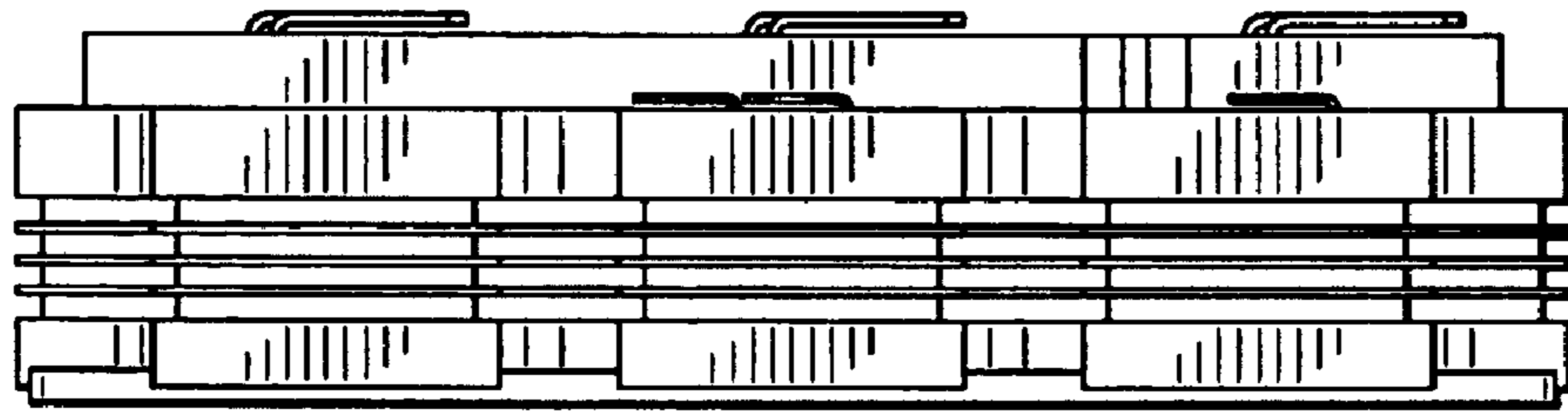


FIG.4

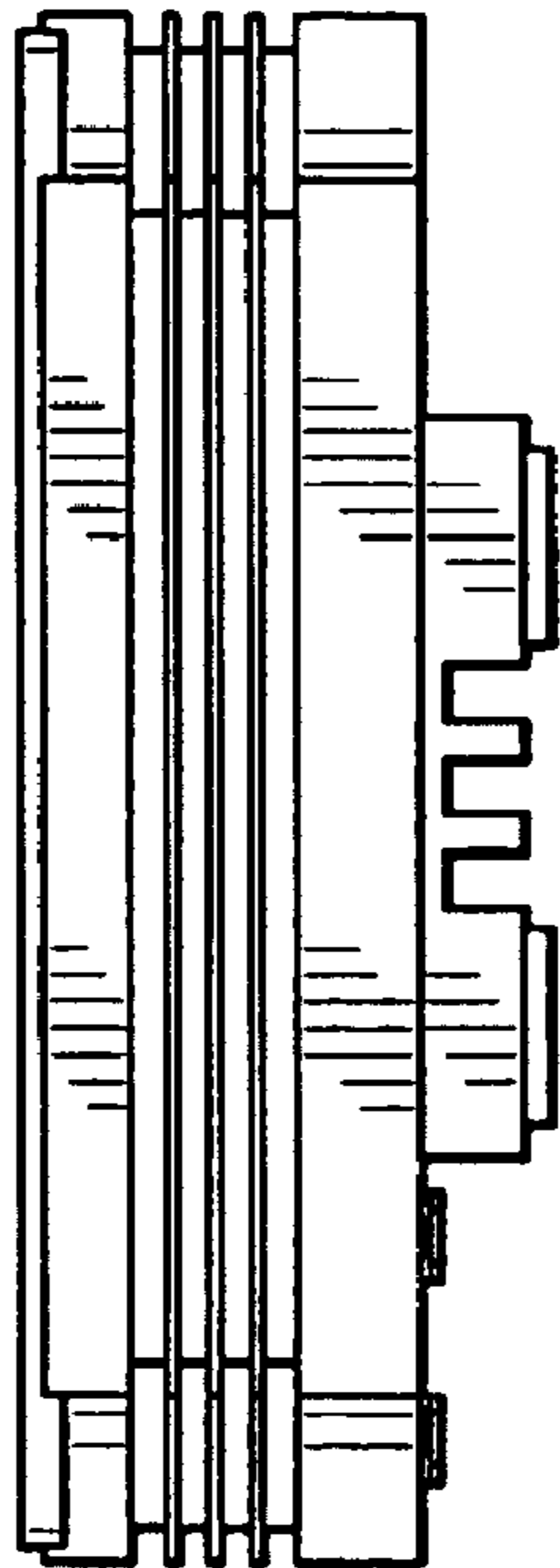


FIG.5

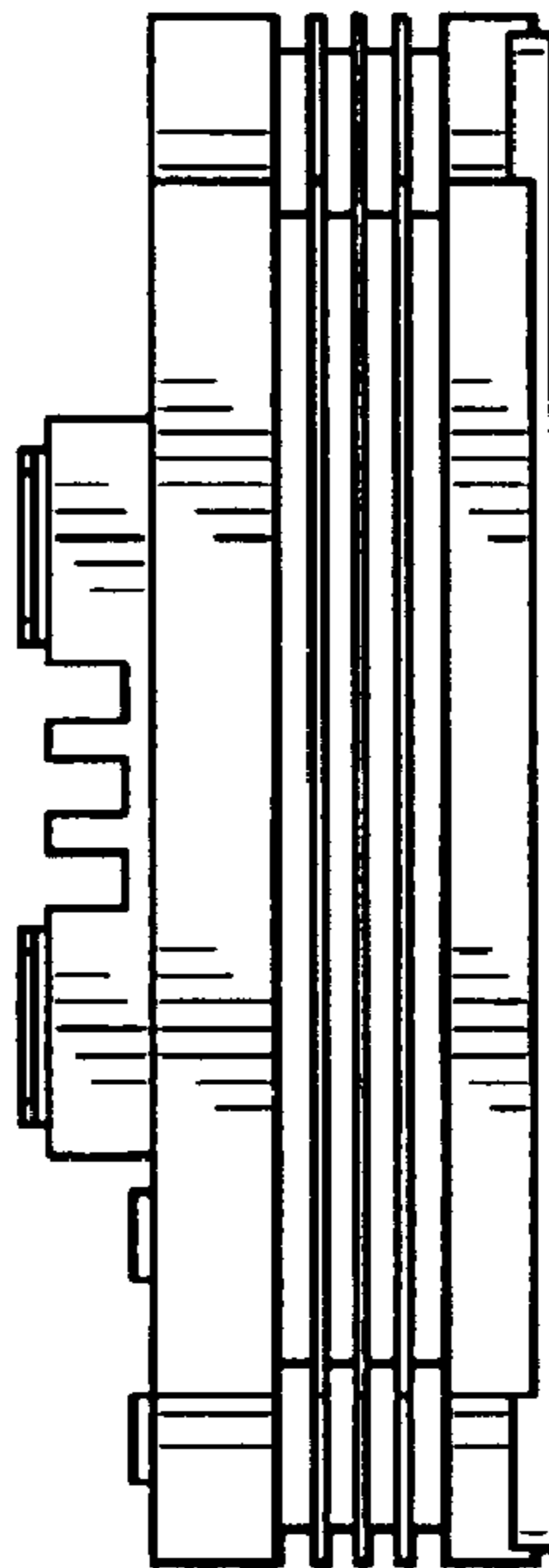


FIG.6

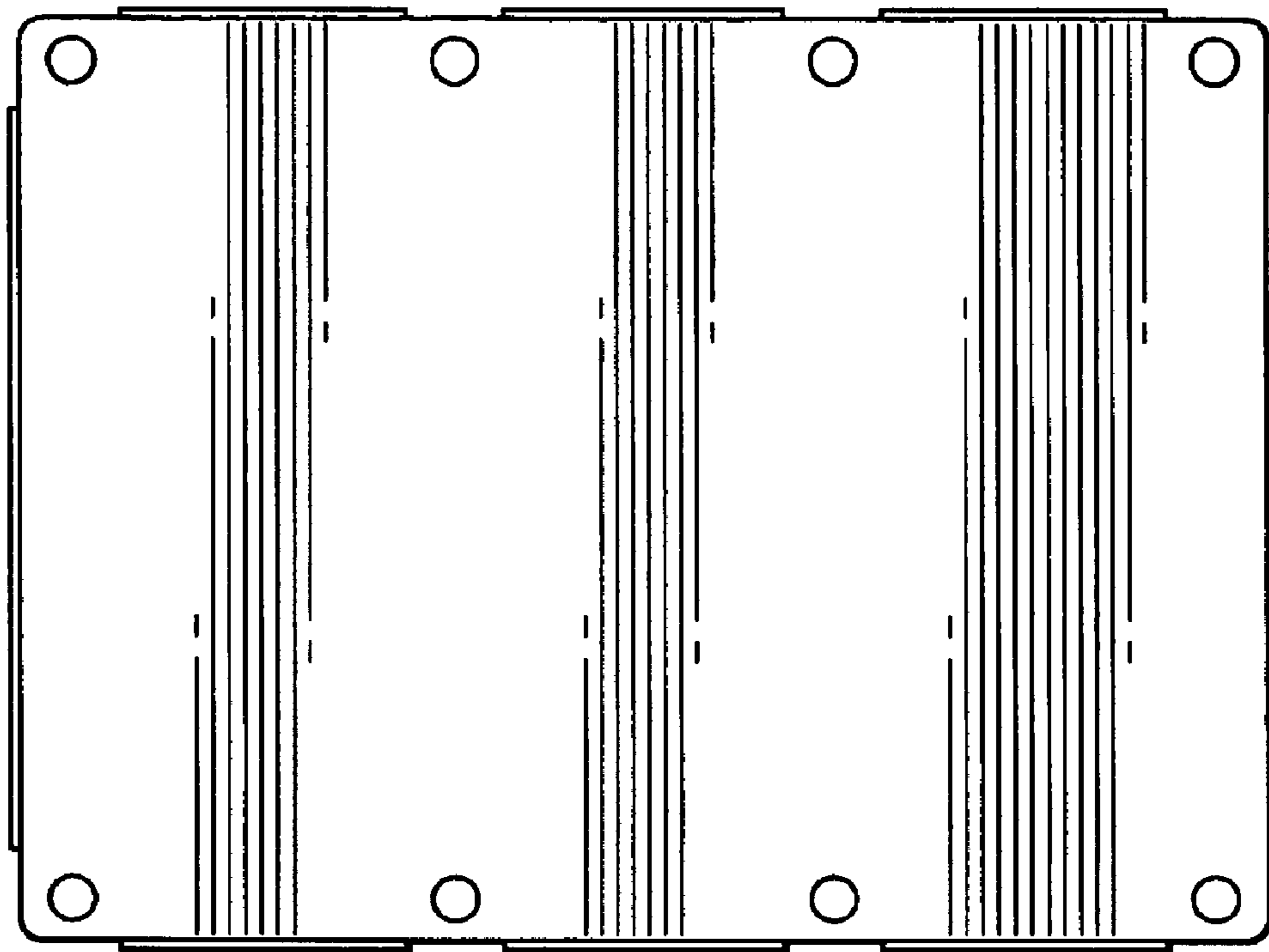


FIG.7