

US00D503147S

(12) **United States Design Patent** (10) **Patent No.:** **US D503,147 S**  
**Krieger et al.** (45) **Date of Patent:** **\*\* Mar. 22, 2005**

(54) **BATTERY CHARGER**

(75) Inventors: **Michael Krieger**, Miami Beach, FL (US); **Kevin Ellsworth**, Hollywood, FL (US)

(73) Assignee: **Vector Products, Inc.**, Fort Lauderdale, FL (US)

(\*\*) Term: **14 Years**

(21) Appl. No.: **29/202,030**

(22) Filed: **Mar. 25, 2004**

**Related U.S. Application Data**

(62) Division of application No. 29/182,824, filed on Jun. 3, 2003, now Pat. No. Des. 491,140.

(51) **LOC (7) Cl.** ..... **13-02**

(52) **U.S. Cl.** ..... **D13/107**

(58) **Field of Search** ..... D13/106-110, D13/118; D14/188, 251, 253, 265; 320/104-105, 107-116; 439/501, 504

(56) **References Cited**

**U.S. PATENT DOCUMENTS**

4,990,144	A	*	2/1991	Blott	.....	604/304
D330,187	S	*	10/1992	Shimoo et al.	.....	D13/107
D386,148	S	*	11/1997	Katooka et al.	.....	D13/110
D393,446	S	*	4/1998	Bellofatto et al.	.....	D13/106
D423,451	S	*	4/2000	Heckenast et al.	.....	D13/110
D432,985	S	*	10/2000	Wan	.....	D13/107
6,215,273	B1	*	4/2001	Shy	.....	320/105
D444,122	S	*	6/2001	Krieger et al.	.....	D13/107
D444,125	S	*	6/2001	Shy	.....	D13/110
D446,500	S	*	8/2001	Krieger et al.	.....	D13/110
6,403,661	B1	*	6/2002	Usui et al.	.....	521/47
D469,401	S	*	1/2003	Griffey et al.	.....	D13/110
D474,151	S	*	5/2003	James et al.	.....	D13/119
D483,326	S		12/2003	Krieger et al.		
2001/0043052	A1		11/2001	Griffey et al.	.....	320/114
2003/0149496	A1		8/2003	Johnson	.....	700/91

**OTHER PUBLICATIONS**

U.S. Appl. No. 29/183,222, filed Jun. 10, 2003, Krieger et al. U.S. design application, a division of U.S. Appl. No. 29/183,222, filed Mar. 25, 2004, application serial number not yet assigned, Krieger et al.

U.S. Appl. No. 29/186,592, filed Jul. 21, 2003, Krieger et al. U.S. Appl. No. 29/180,674, filed Apr. 30, 2003, Krieger et al., now allowed.

U.S. design application, a division of U.S. Appl. No. 29/180,674, filed Mar. 25, 2004, application serial number not yet assigned, Krieger et al.

U.S. Appl. No. 29/186,130, filed Jul. 10, 2003, Krieger et al.

U.S. Appl. No. 29/183,223, filed Jun. 10, 2003, Krieger et al., now allowed.

U.S. design application, a division of U.S. Appl. 29/183,223, filed Mar. 25, 2004, application serial number not yet assigned, Krieger et al.

\* cited by examiner

*Primary Examiner*—Alan P. Douglas

*Assistant Examiner*—Rosemary Tarcza

(74) *Attorney, Agent, or Firm*—Venable LLP; Robert Kinberg

(57) **CLAIM**

The ornamental design for a battery charger, as shown and described.

**DESCRIPTION**

FIG. 1 is a perspective view from the front-top-left side of the battery charger showing our new design;

FIG. 2 is a front view of the design shown in FIG. 1;

FIG. 3 is a rear view of the design shown in FIG. 1;

FIG. 4 is a left side view of the design shown in FIG. 1;

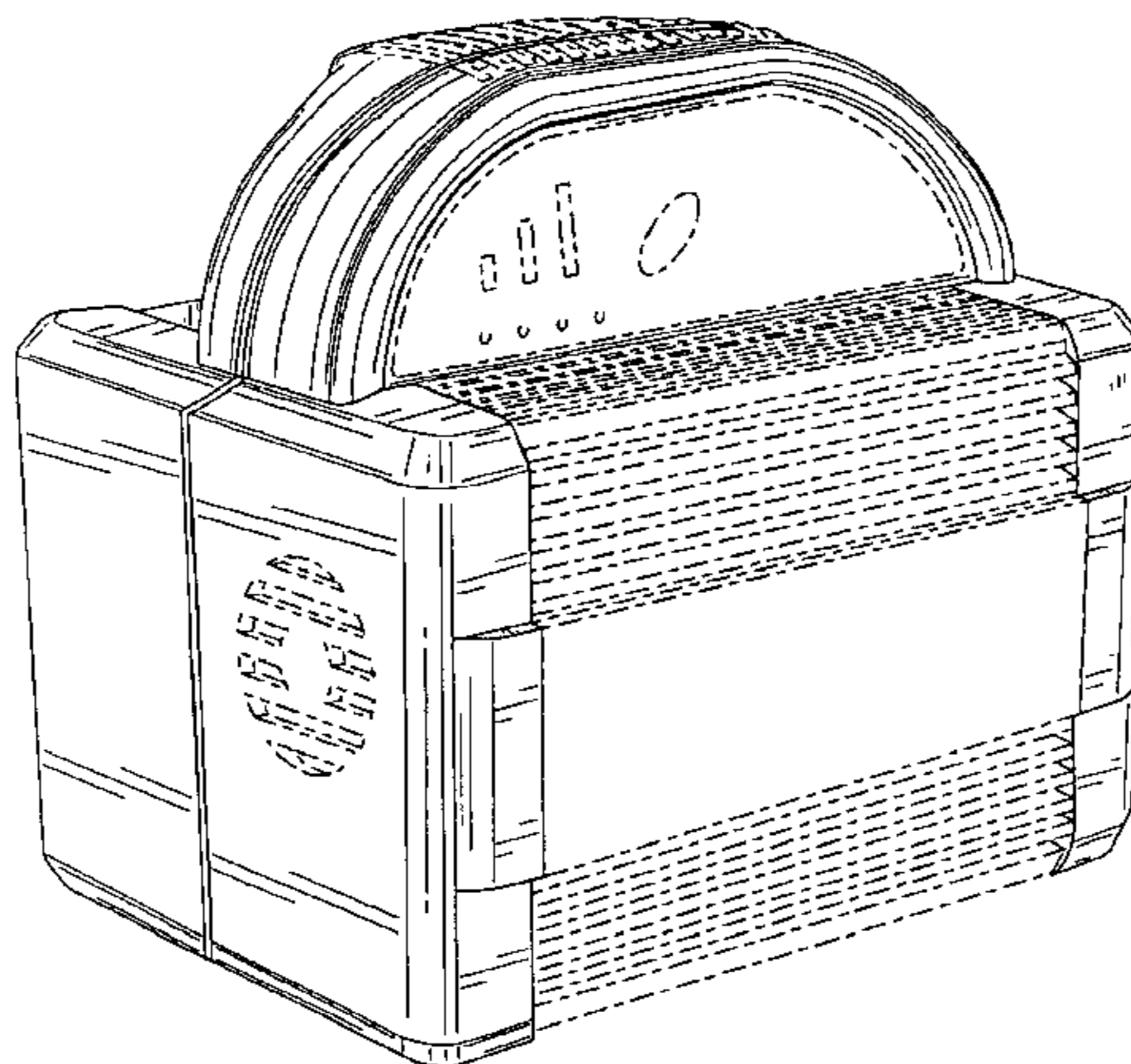
FIG. 5 is a right side view of the design shown in FIG. 1;

FIG. 6 is a top view of the design shown in FIG. 1; and,

FIG. 7 is a bottom view of the design shown in FIG. 1.

The broken lines immediately adjacent the shaded areas represent the bounds of the claimed design while all other broken lines are for illustrative purposes only; the broken lines form no part of the claimed design.

**1 Claim, 7 Drawing Sheets**



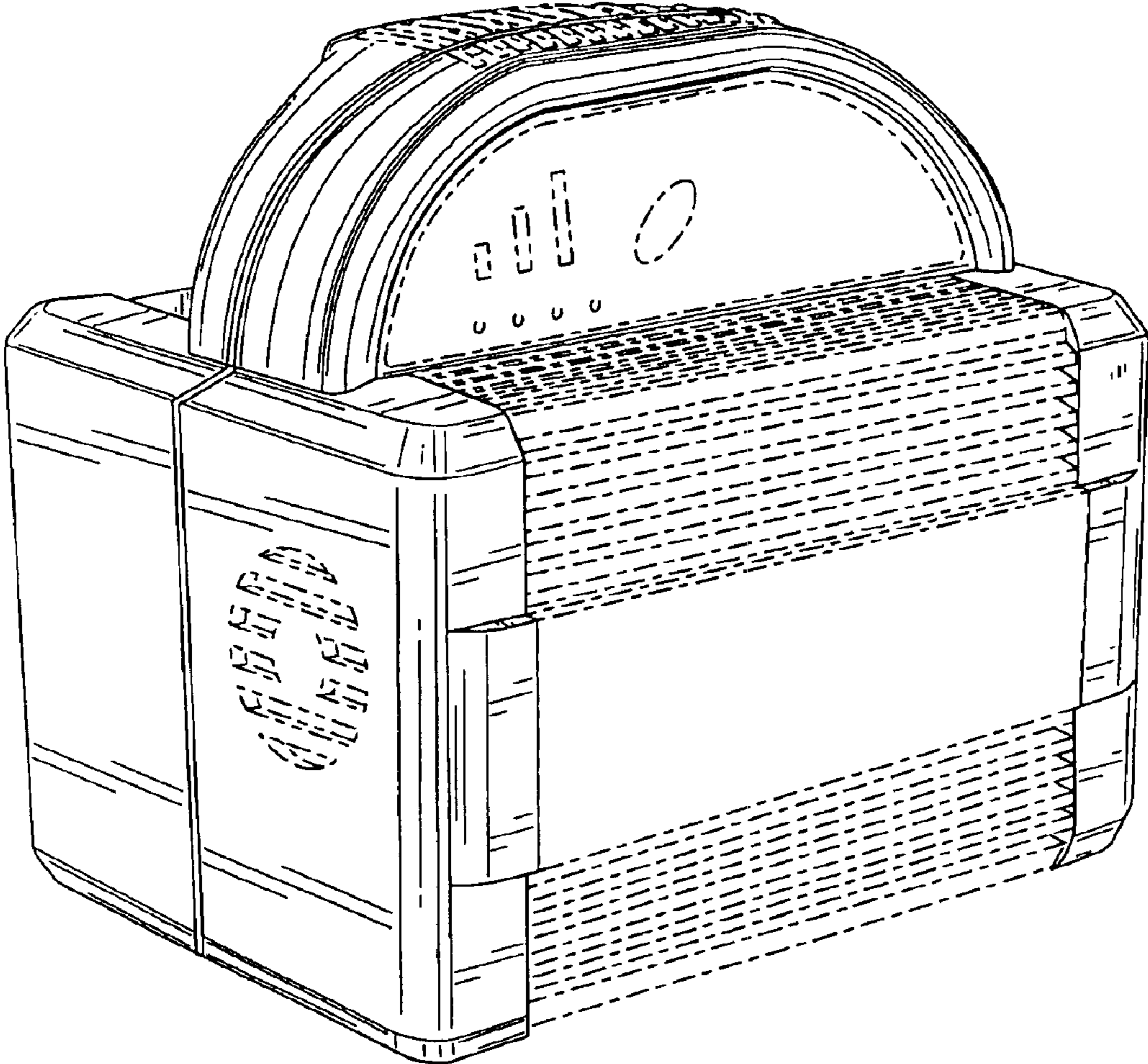


FIG. 1

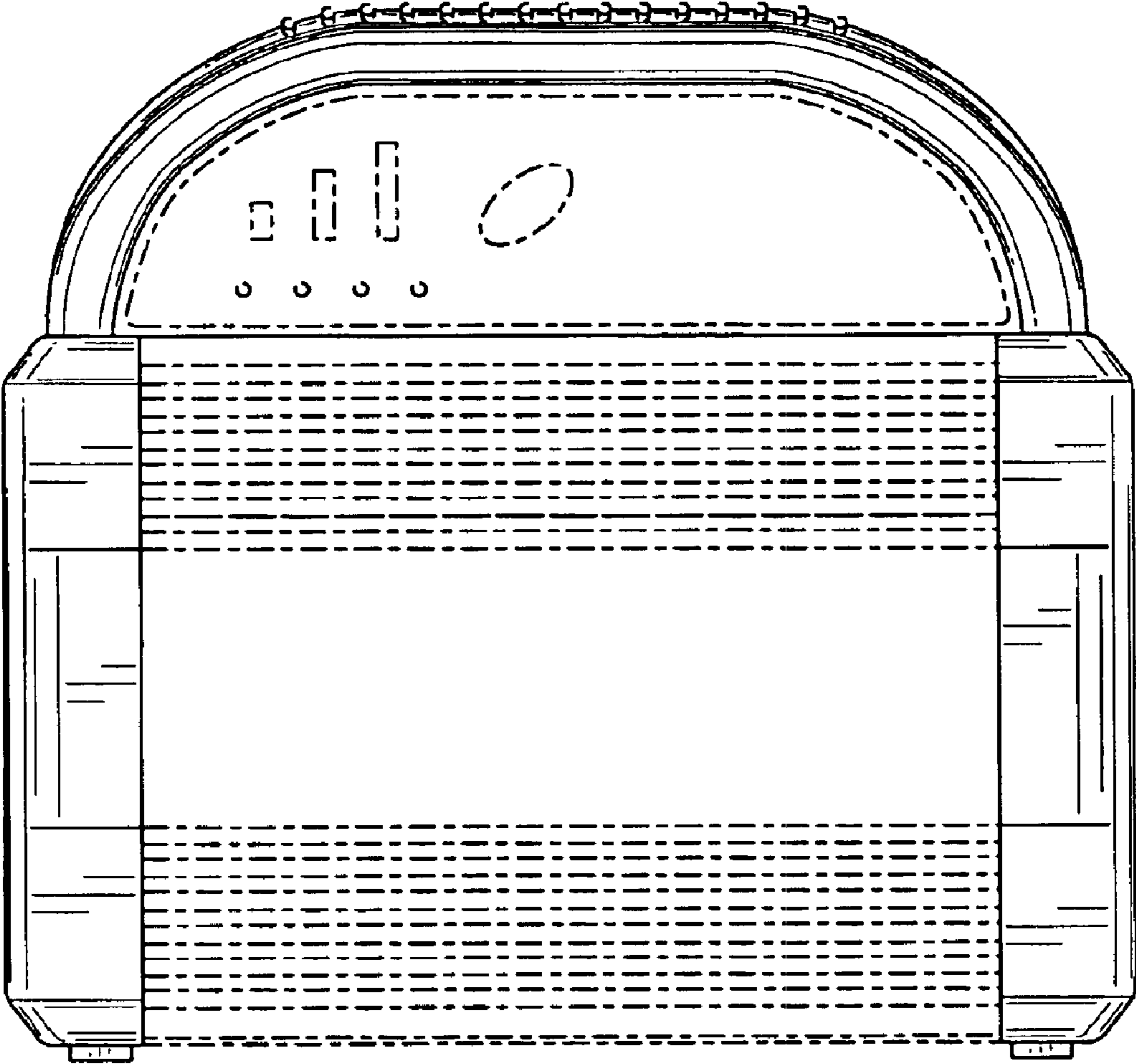


FIG. 2

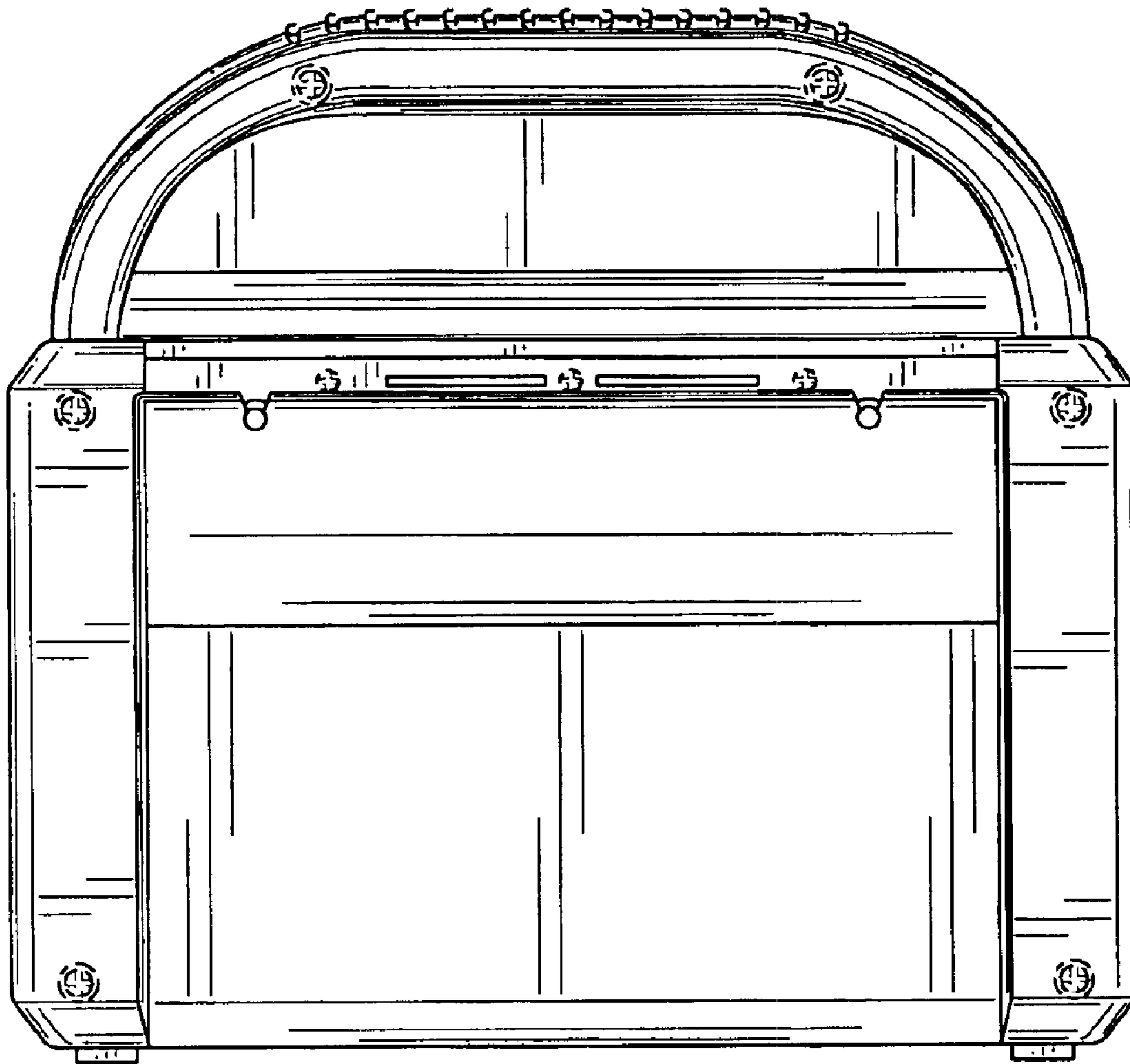


FIG. 3



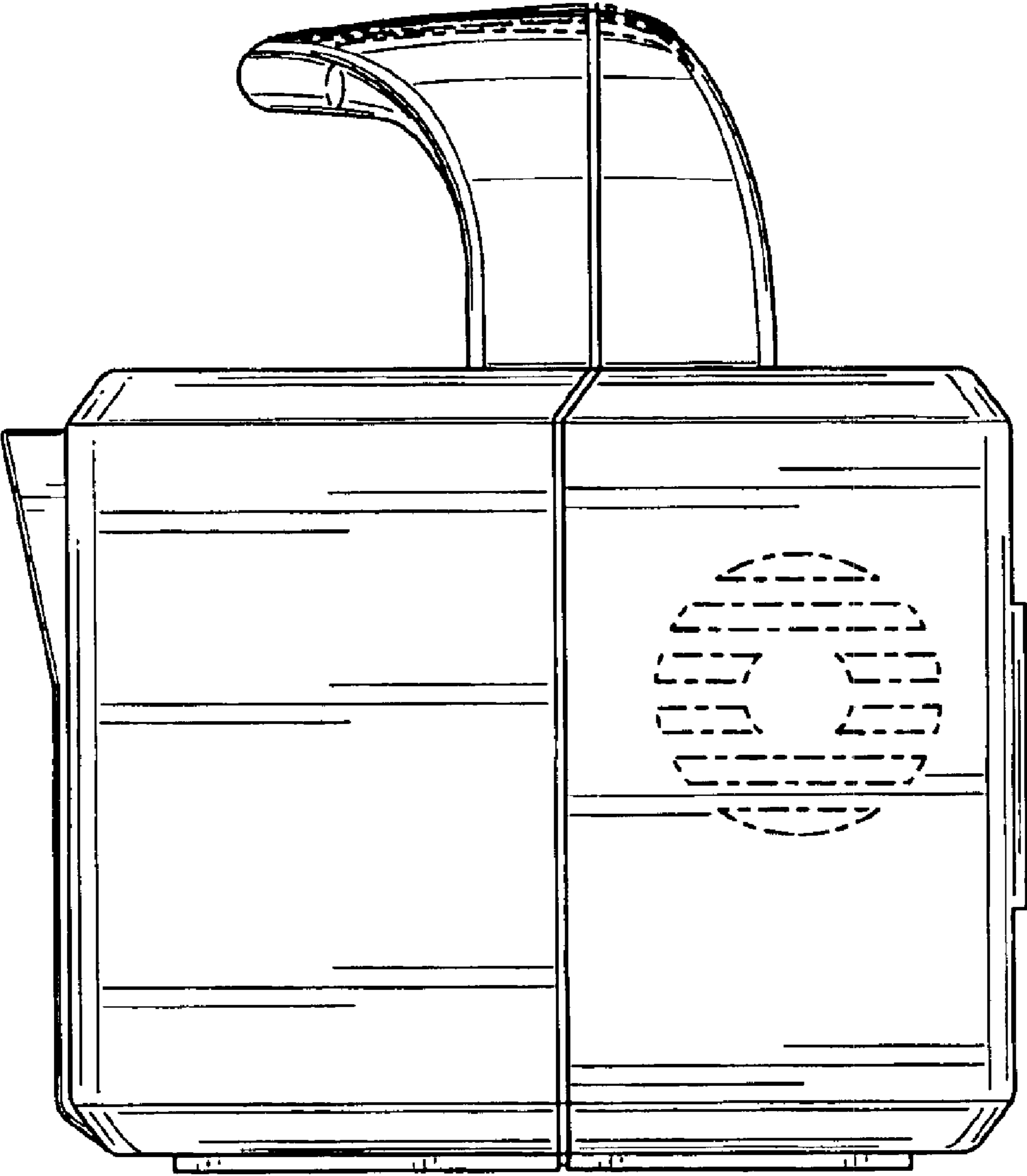


FIG. 4

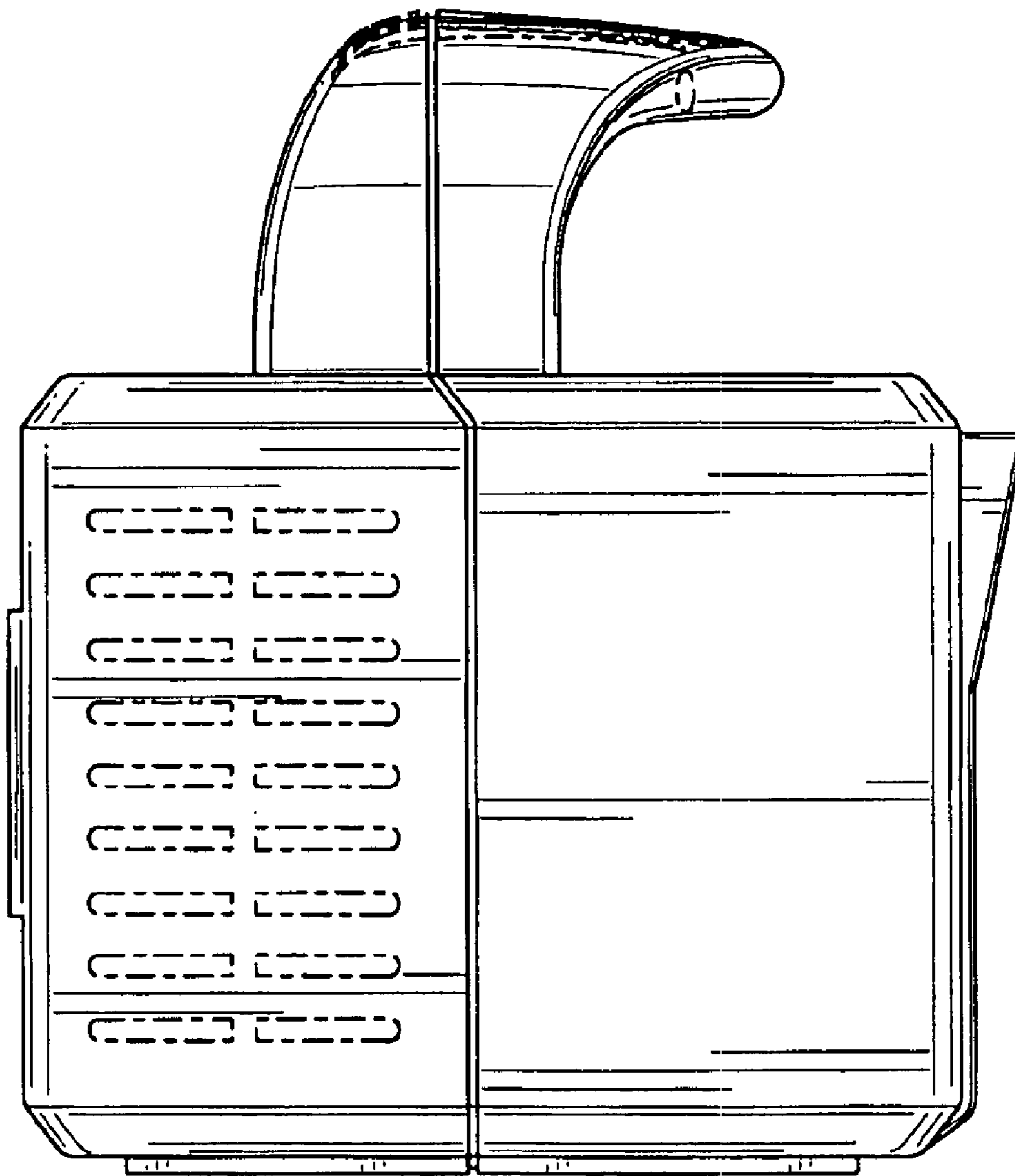


FIG. 5

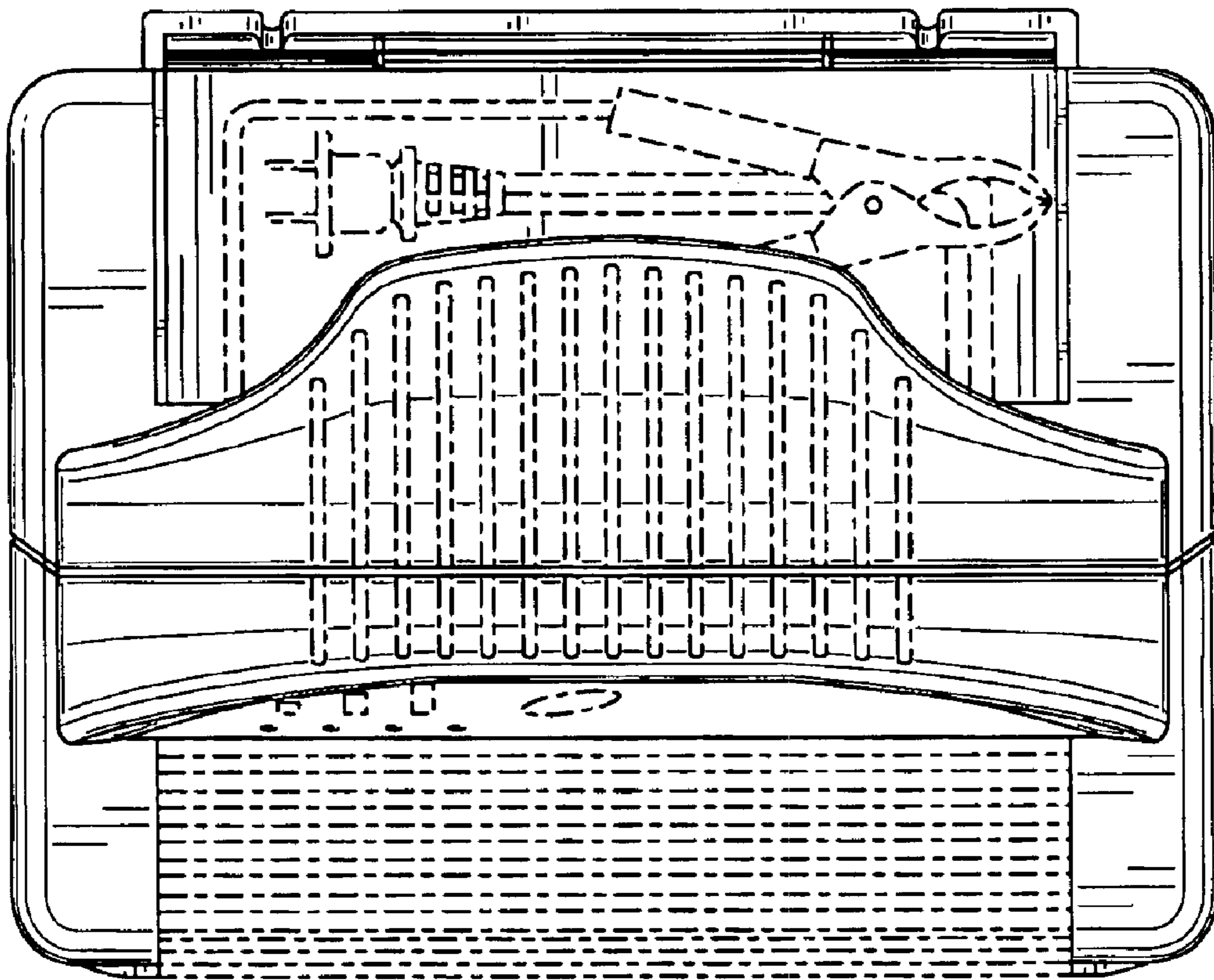


FIG. 6

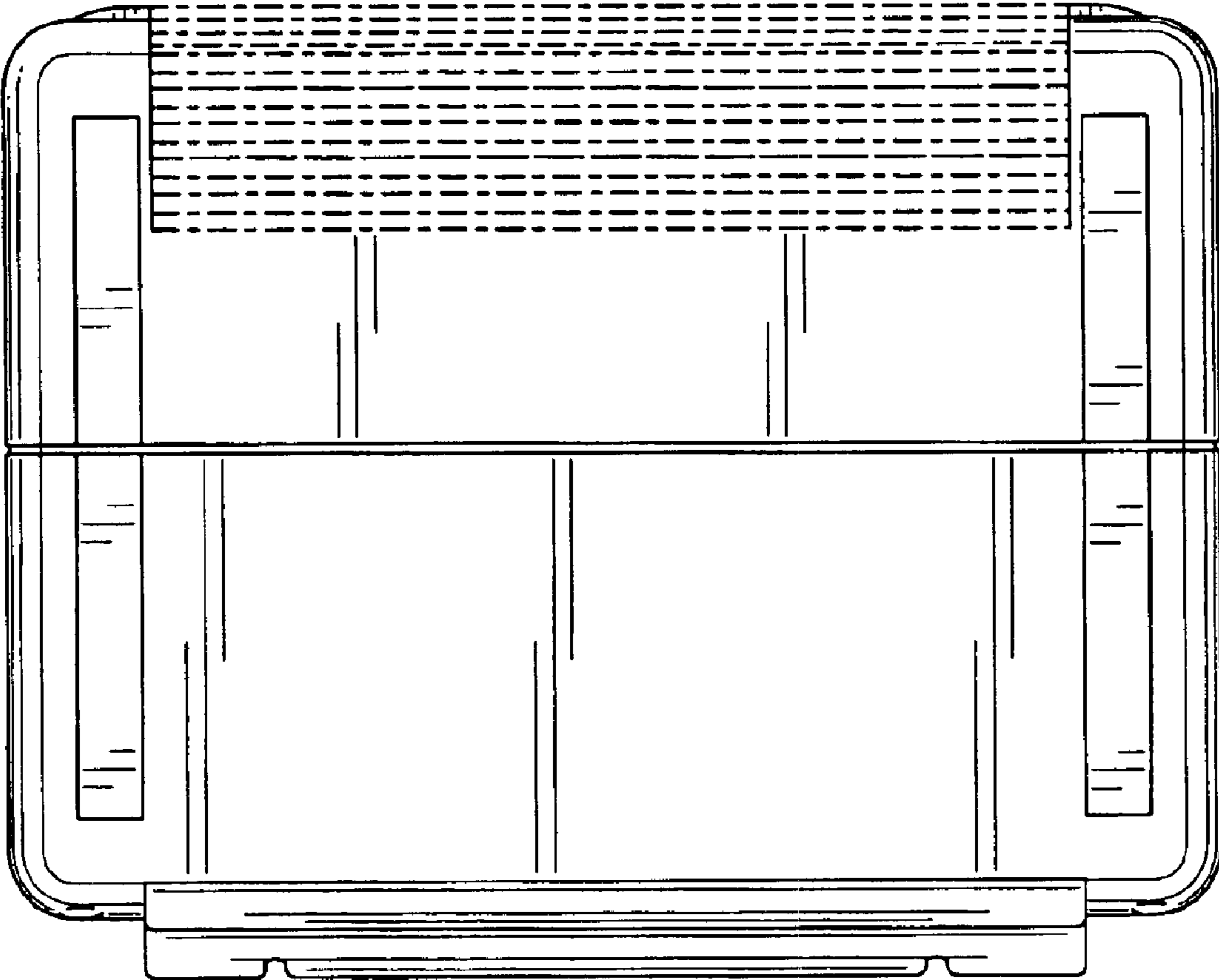


FIG. 7