

US00D503144S

(12) **United States Design Patent**
Rex

(10) **Patent No.: US D503,144 S**
(45) **Date of Patent: ** Mar. 22, 2005**

(54) **VEHICULAR ROOF STORAGE UNIT**

(76) Inventor: **William J. Rex**, 26857 Tannahill Ave.,
Canyon Country, CA (US) 91387

(**) Term: **14 Years**

(21) Appl. No.: **29/208,820**

(22) Filed: **Jul. 6, 2004**

(51) **LOC (7) Cl. 12-16**

(52) **U.S. Cl. D12/413**

(58) **Field of Search** D12/406, 412-414.1;
D6/552, 556; D3/304-306, 273; 206/315.1-315.4;
296/37.1-37.7, 3, 99.1-100; 280/760-762,
848, 727, 769; 224/309-310, 315, 321,
323-329, 400

(56) **References Cited**

U.S. PATENT DOCUMENTS

D264,832 S	*	6/1982	Lind et al.	D12/413
D279,972 S	*	8/1985	Marovich	D12/413
D297,629 S	*	9/1988	Breger	D12/413
D297,631 S	*	9/1988	Breger	D12/413
D311,368 S	*	10/1990	Garcia	D12/413
D312,432 S	*	11/1990	Lewis	D12/423
D326,634 S	*	6/1992	Seaver	D12/413

D342,049 S	*	12/1993	Harrison	D12/413
D406,558 S	*	3/1999	Pendergraph	D12/413
D412,881 S	*	8/1999	Behringer	D12/413
D419,954 S	*	2/2000	Bradt	D12/413
D473,181 S	*	4/2003	Schappach	D12/413
D489,674 S	*	5/2004	Settelmayer et al.	D12/413

* cited by examiner

Primary Examiner—Stacia Cadmus

(74) *Attorney, Agent, or Firm*—Stetina Brunda Garred & Brucker

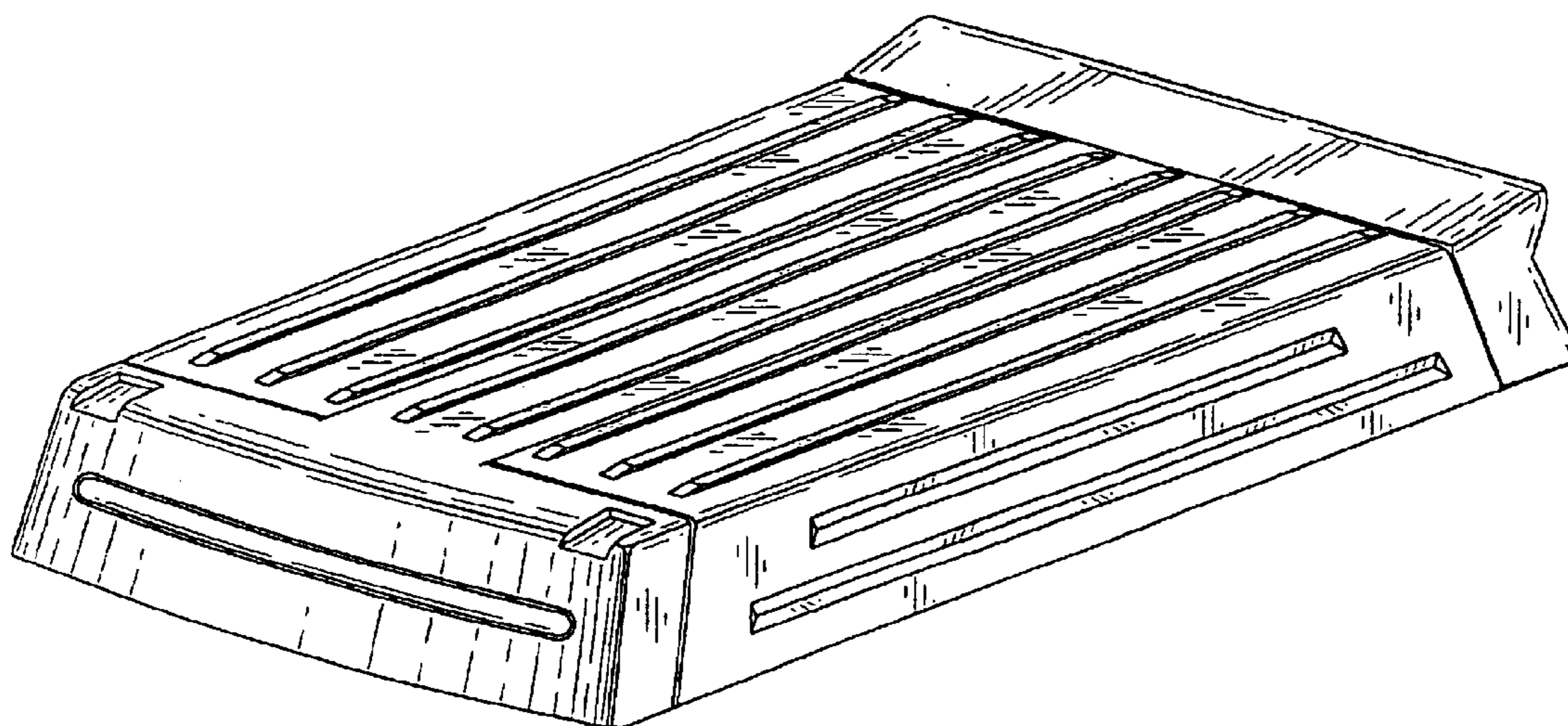
(57) **CLAIM**

The ornamental design for a vehicular roof storage unit, as shown and described.

DESCRIPTION

FIG. 1 is a front perspective view of the vehicular roof storage unit showing our new design; FIG. 2 is a right side elevational view thereof, the left side elevational view being a mirror image of the right side elevational view; FIG. 3 is a front elevational view thereof; FIG. 4 is a rear perspective view thereof; FIG. 5 is a rear elevational view thereof; and, FIG. 6 is a top plan view thereof.

1 Claim, 3 Drawing Sheets



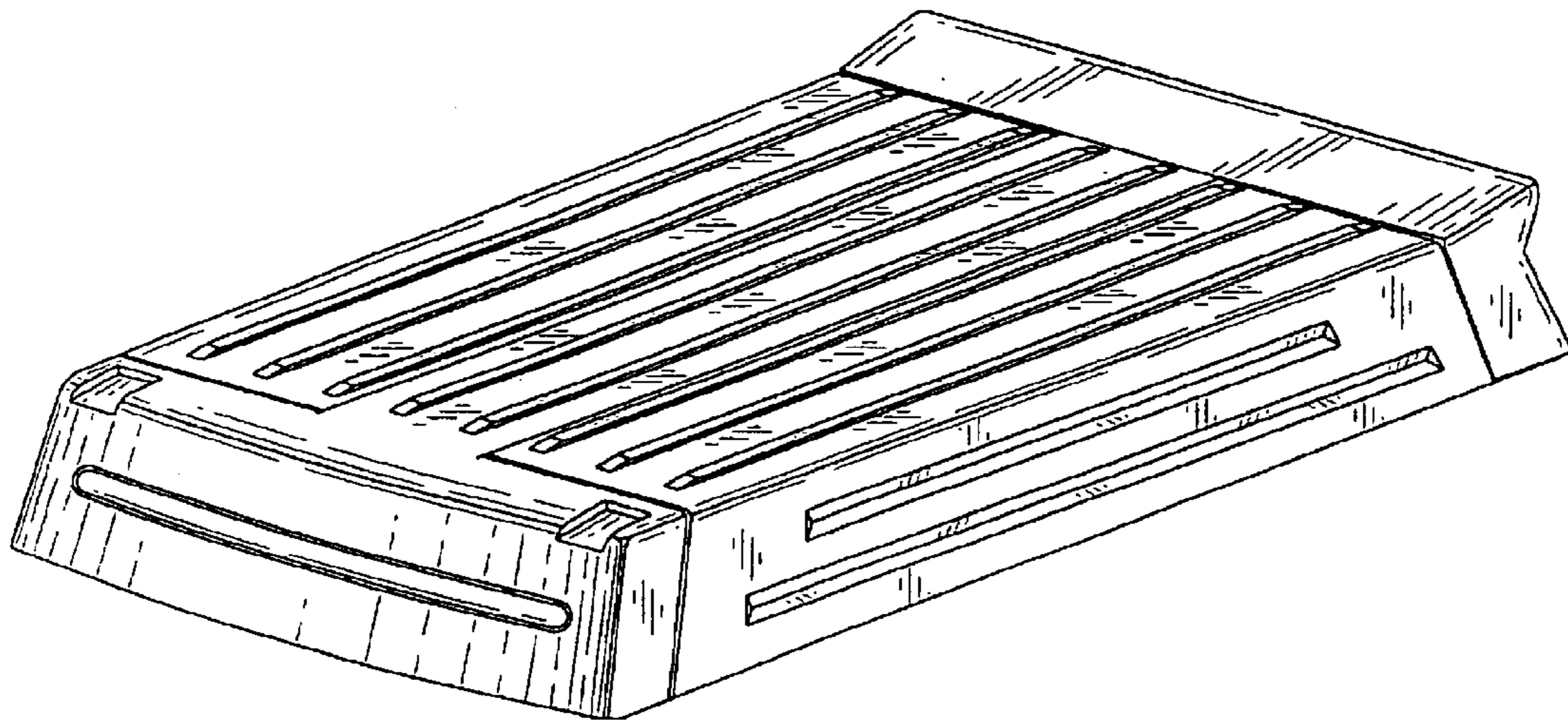


Fig. 1

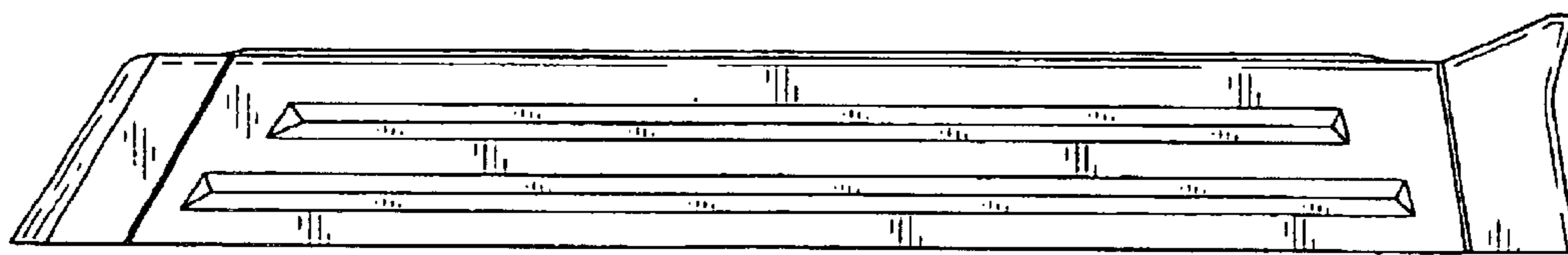


Fig. 2

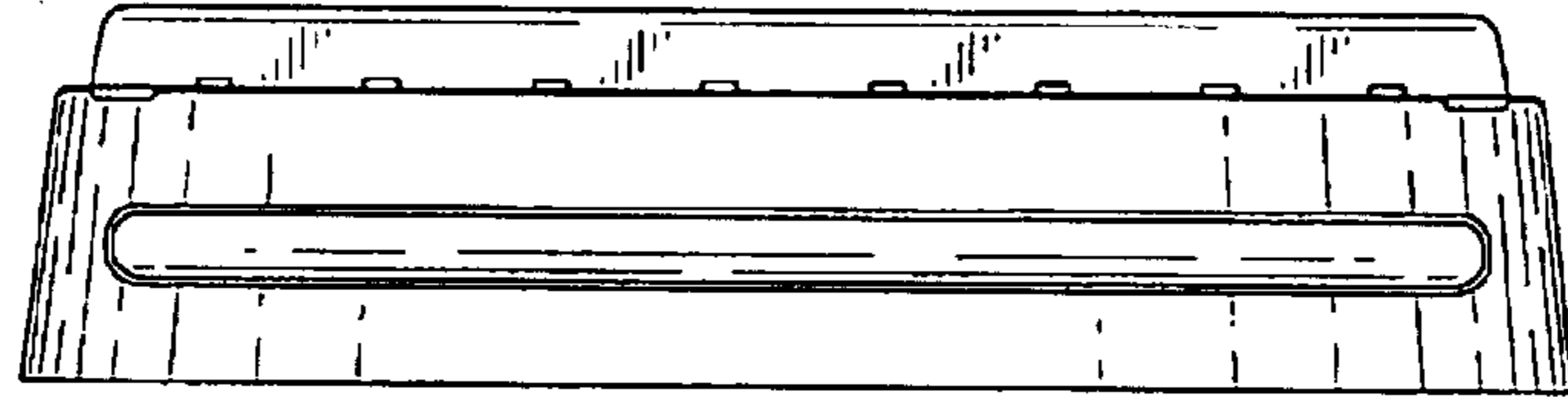


Fig. 3

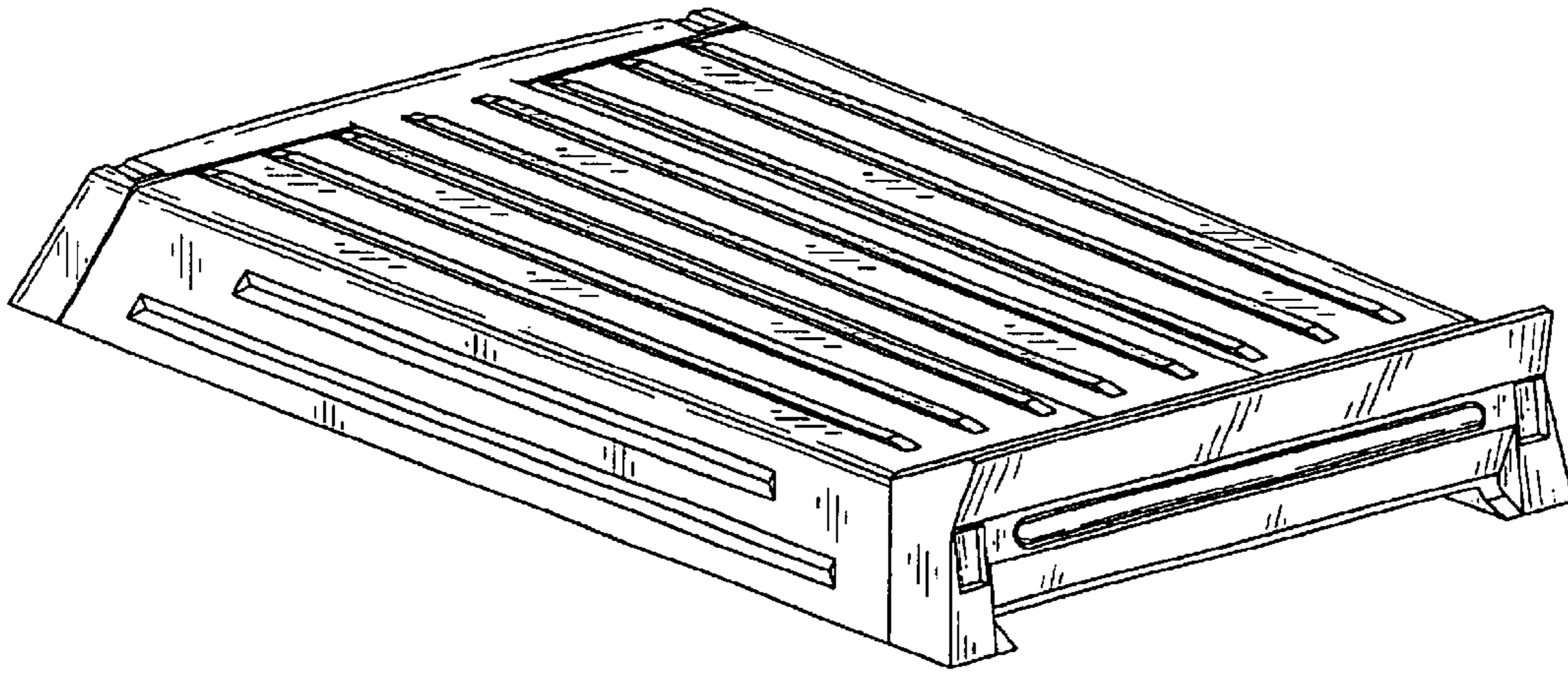


Fig. 4

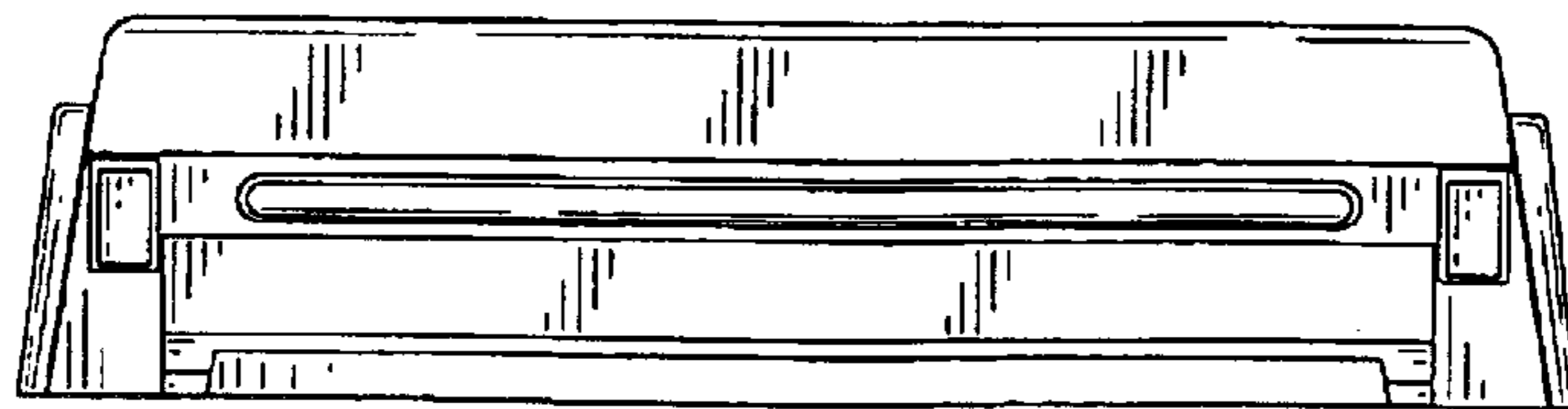


Fig. 5

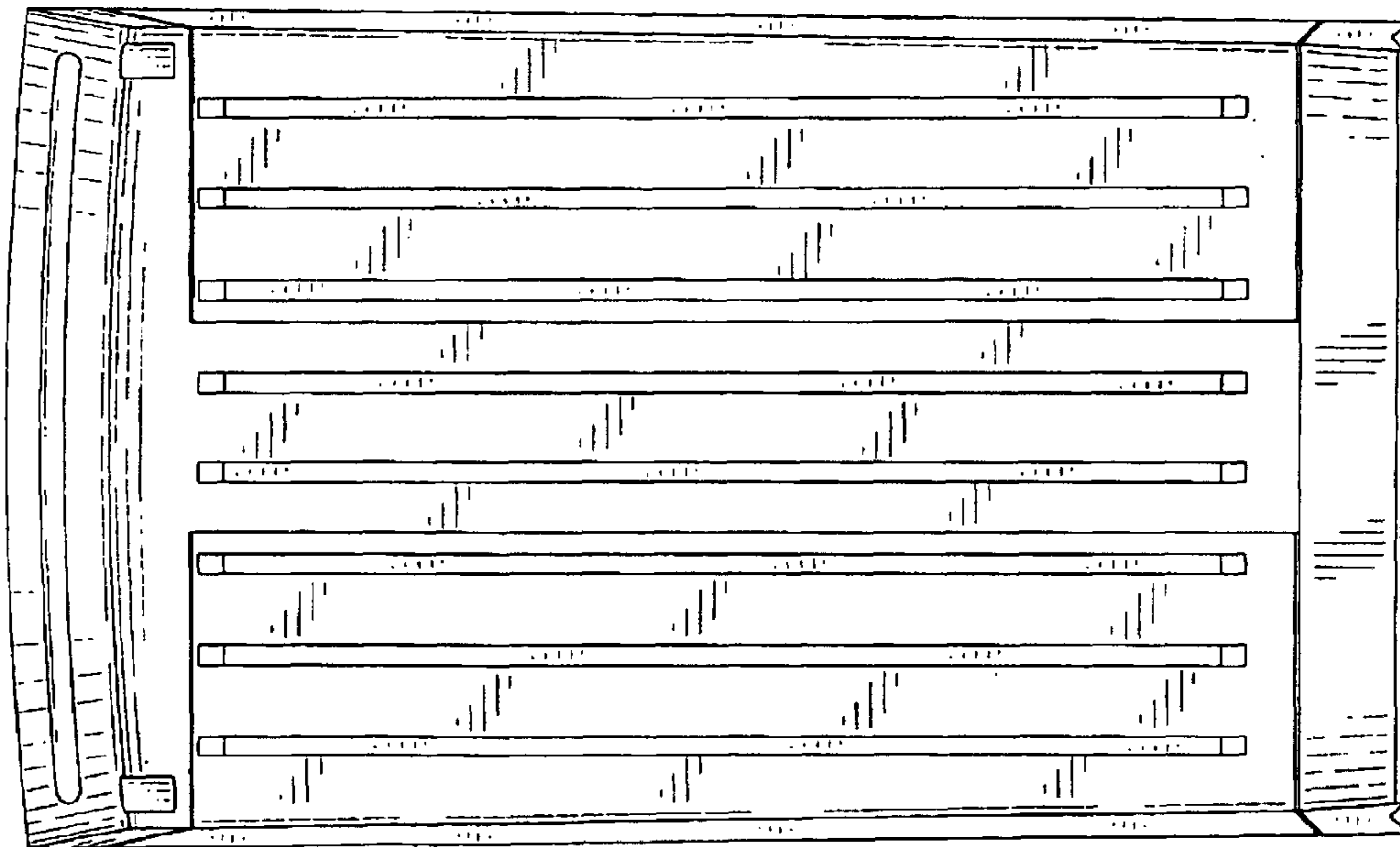


Fig. 6