

US00D503143S

(12) **United States Design Patent**
Napieraj

(10) **Patent No.:** **US D503,143 S**
(45) **Date of Patent:** **** Mar. 22, 2005**

(54) **SUV TENT**

(76) **Inventor:** **Roman W. Napieraj**, Unit #34, 178
Scott Street, St. Catharines, ON, L2N
6Y5 (CA)

(**) **Term:** **14 Years**

(21) **Appl. No.:** **29/178,557**

(22) **Filed:** **Mar. 27, 2003**

(51) **LOC (7) Cl.** **12-16**

(52) **U.S. Cl.** **D12/403**

(58) **Field of Search** D12/401-404;
D21/834-838; 150/66; 135/88.01-88.16,
144; 296/171, 159, 164-167, 175, 100.01,
26.02

D352,690 S	11/1994	Schorr	
D382,248 S	* 8/1997	Long D12/403
5,692,795 A	12/1997	Mininger	
D397,669 S	* 9/1998	Komick D12/403
5,954,076 A	9/1999	McGinnis	
D428,595 S	* 7/2000	Salinas D12/404
6,102,468 A	8/2000	Lowrey	
6,155,279 A	12/2000	Humphrey	
D461,759 S	8/2002	Napieraj	

* cited by examiner

Primary Examiner—Stacia Cadmus
(74) *Attorney, Agent, or Firm*—Cook, Alex, McFarron,
Manzo, Cummings & Mehler, Ltd.

(57) **CLAIM**

The ornamental Design for a SUV tent, as shown and described.

(56) **References Cited**

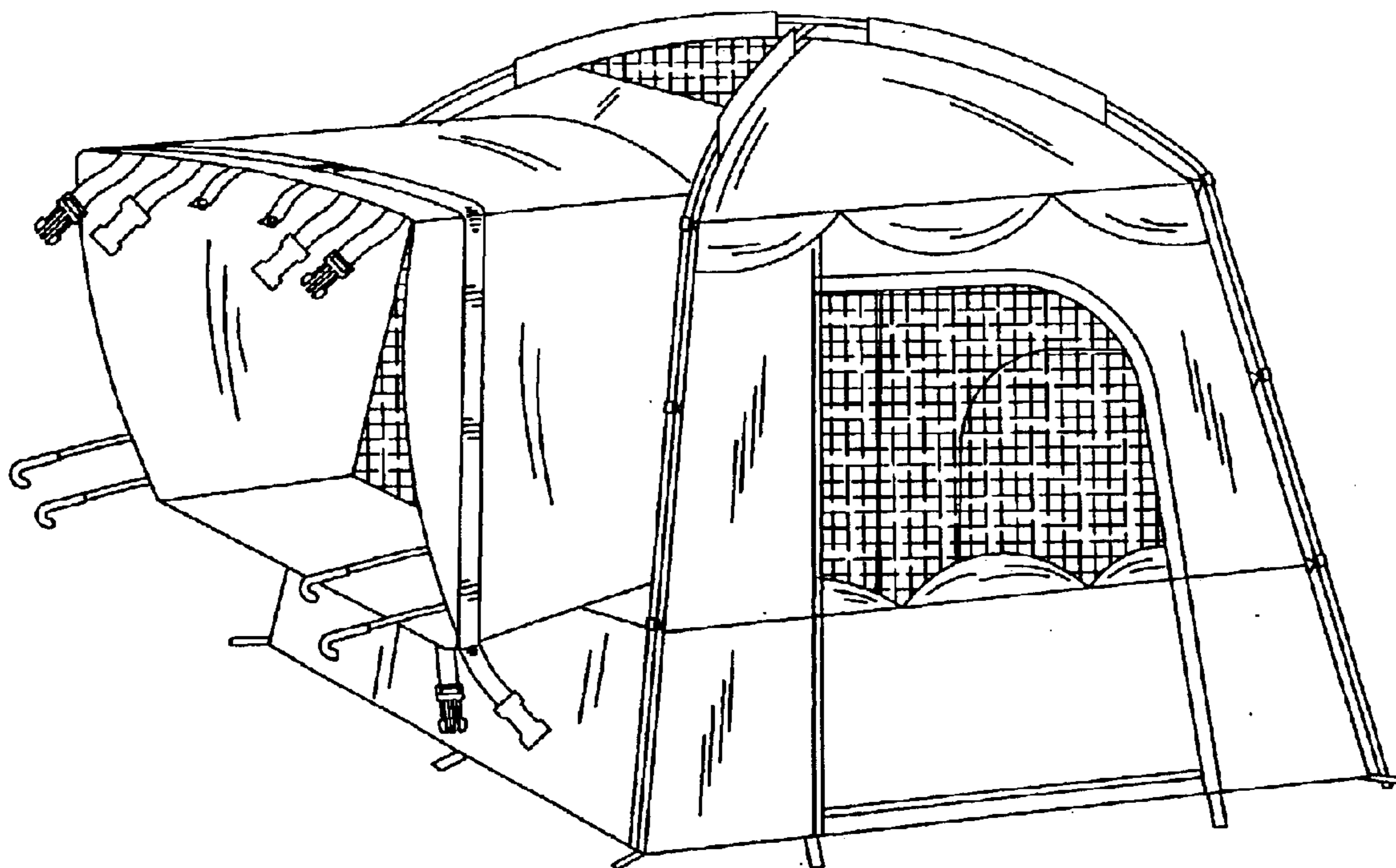
U.S. PATENT DOCUMENTS

D230,261 S	* 2/1974	Woodward D12/403
D231,443 S	* 4/1974	Wayman D12/403
D247,711 S	* 4/1978	Pittman D12/403
D255,027 S	* 5/1980	Hemminger D12/403
4,657,299 A	4/1987	Mahan	
D291,074 S	* 7/1987	Ravana D12/403
D297,424 S	* 8/1988	Norris, III D12/403
D299,817 S	* 2/1989	Wolcott et al. D12/403
4,877,281 A	10/1989	Altmann	
D318,446 S	* 7/1991	Magyar et al. D12/403
D337,979 S	* 8/1993	Napieraj D12/403
D340,689 S	* 10/1993	Wolcott et al. D12/404
5,339,851 A	8/1994	Miller et al.	

DESCRIPTION

FIG. 1 is a perspective view of a first variant of a SUV tent illustrating the present design;
FIG. 2 is a front elevational view thereof;
FIG. 3 is a rear elevational view thereof;
FIG. 4 is a top plan view thereof;
FIG. 5 is a right side elevational view thereof;
FIG. 6 is a left side elevational view thereof; and,
FIG. 7 is a perspective view of the first variant of the SUV tent illustrating the present design, with the environment being shown in broken lines for illustrative purposes only, and thus not forming part of the design.

1 Claim, 4 Drawing Sheets



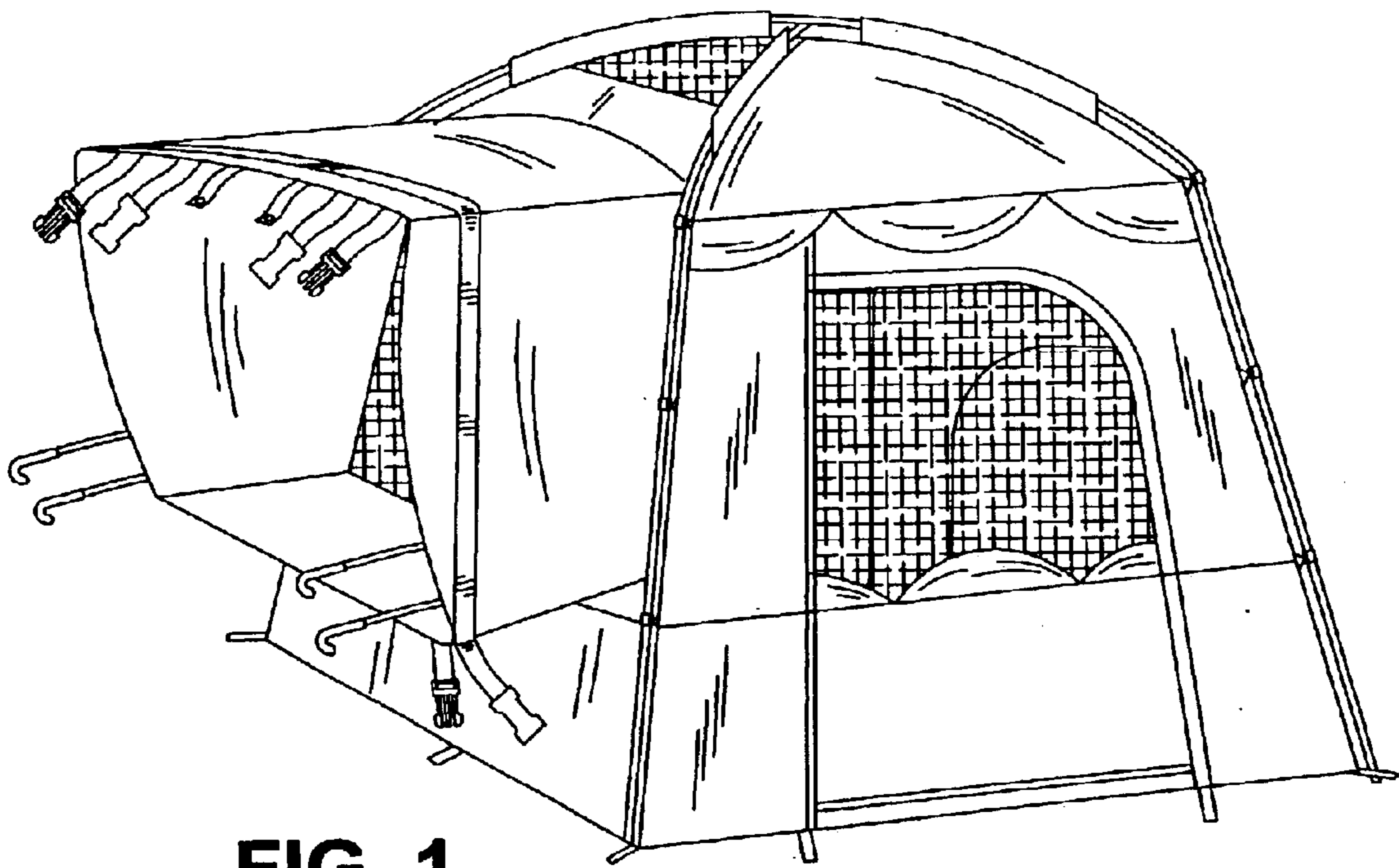


FIG. 1

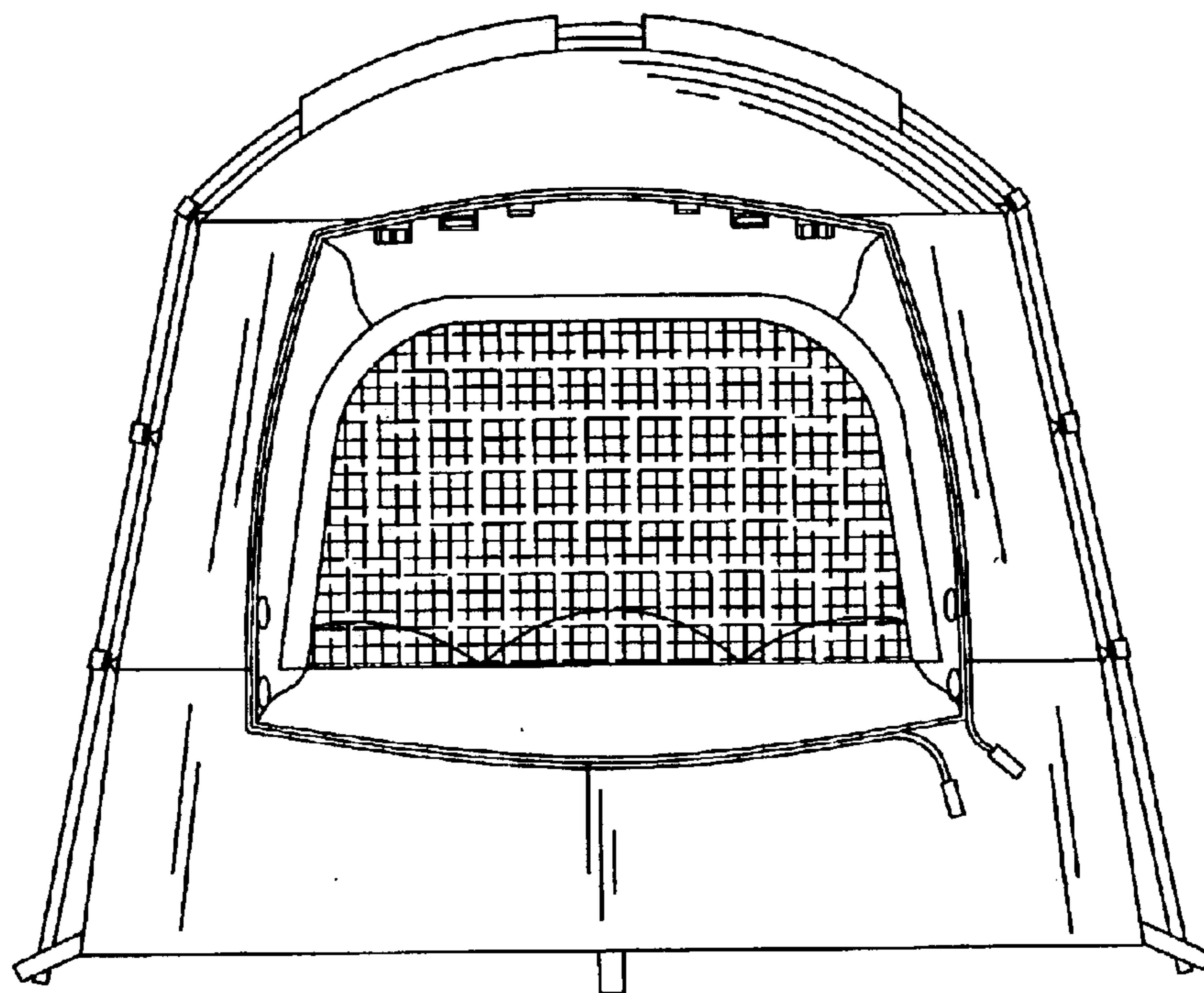


FIG. 2

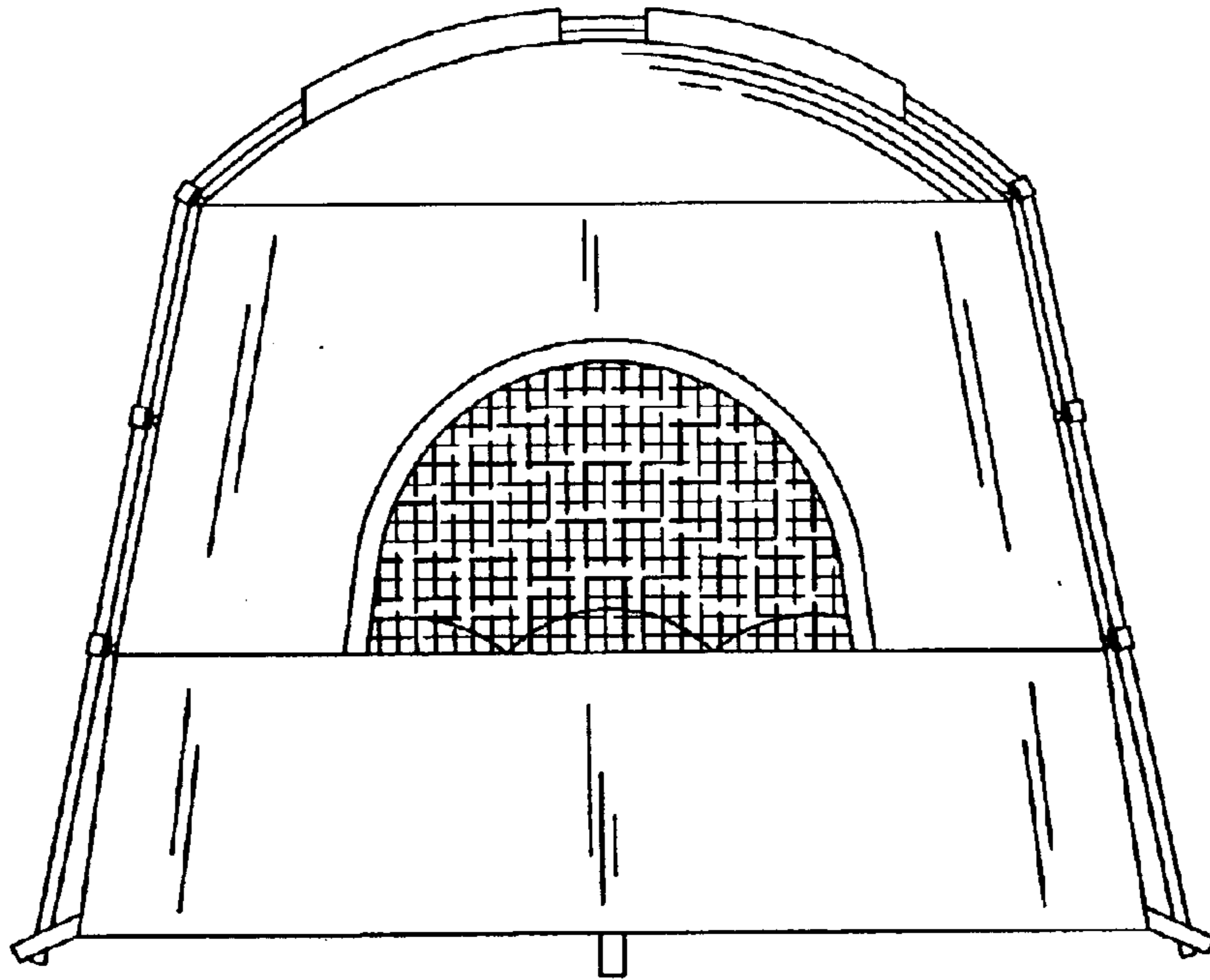


FIG. 3

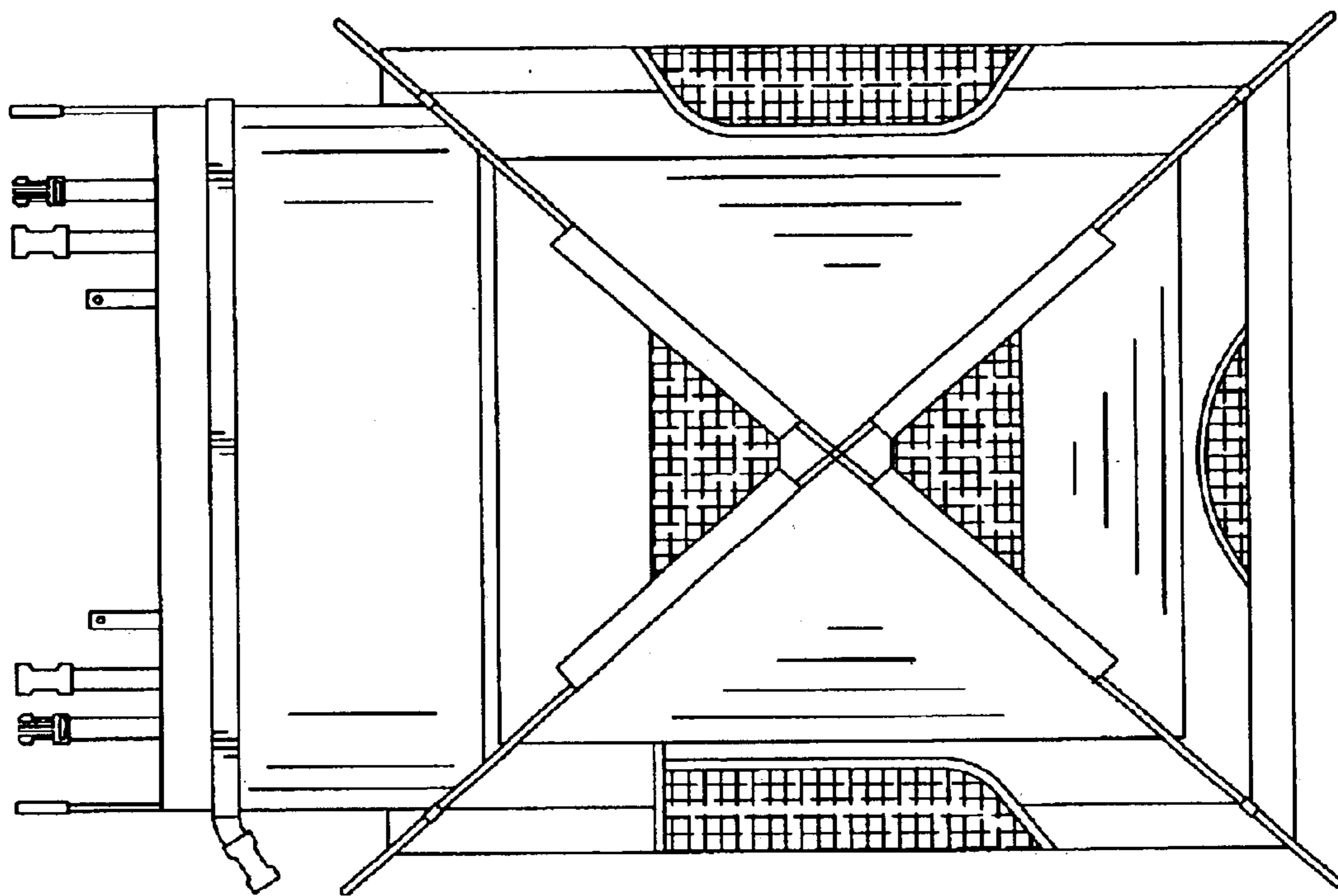


FIG. 4

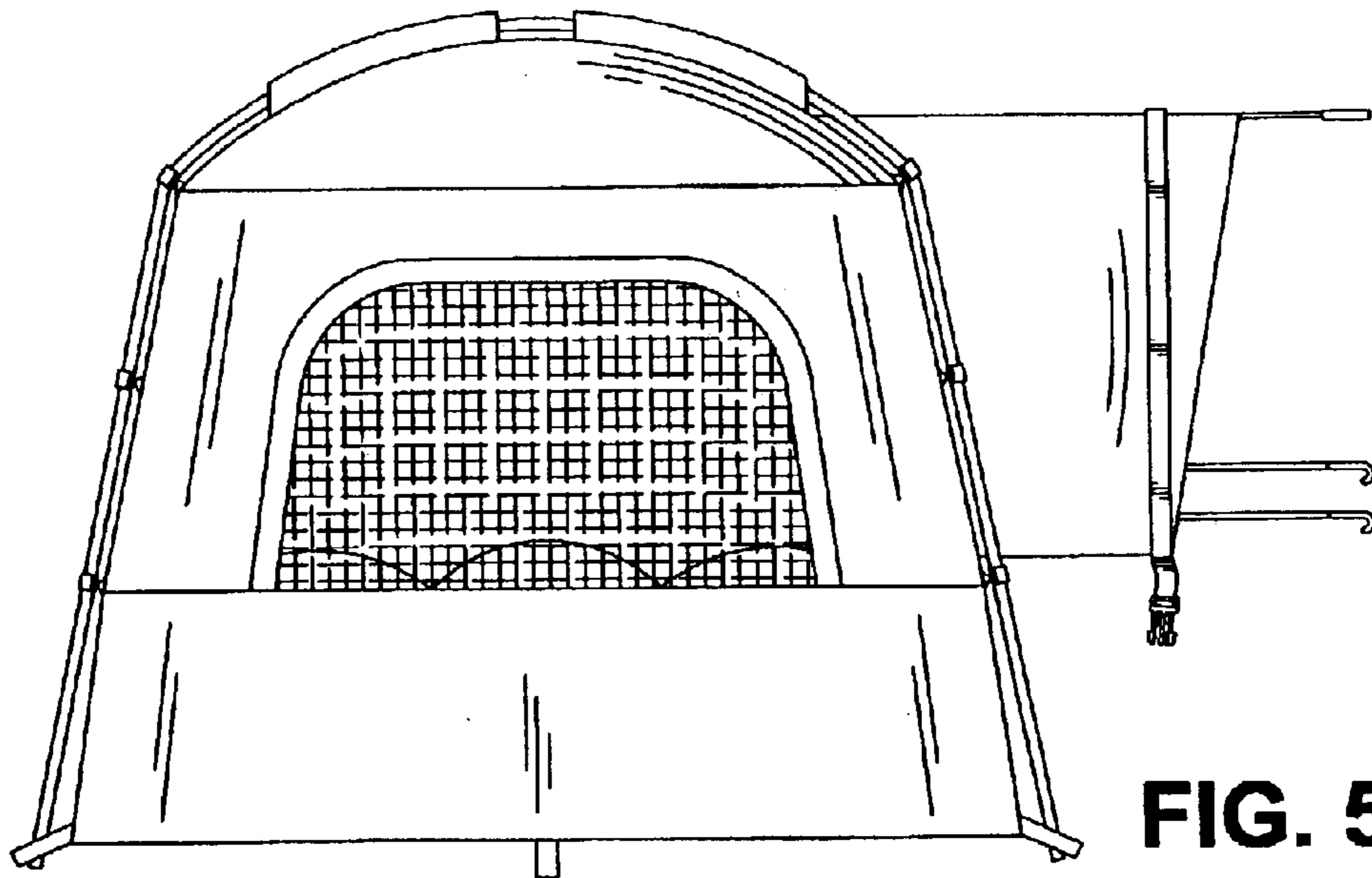


FIG. 5

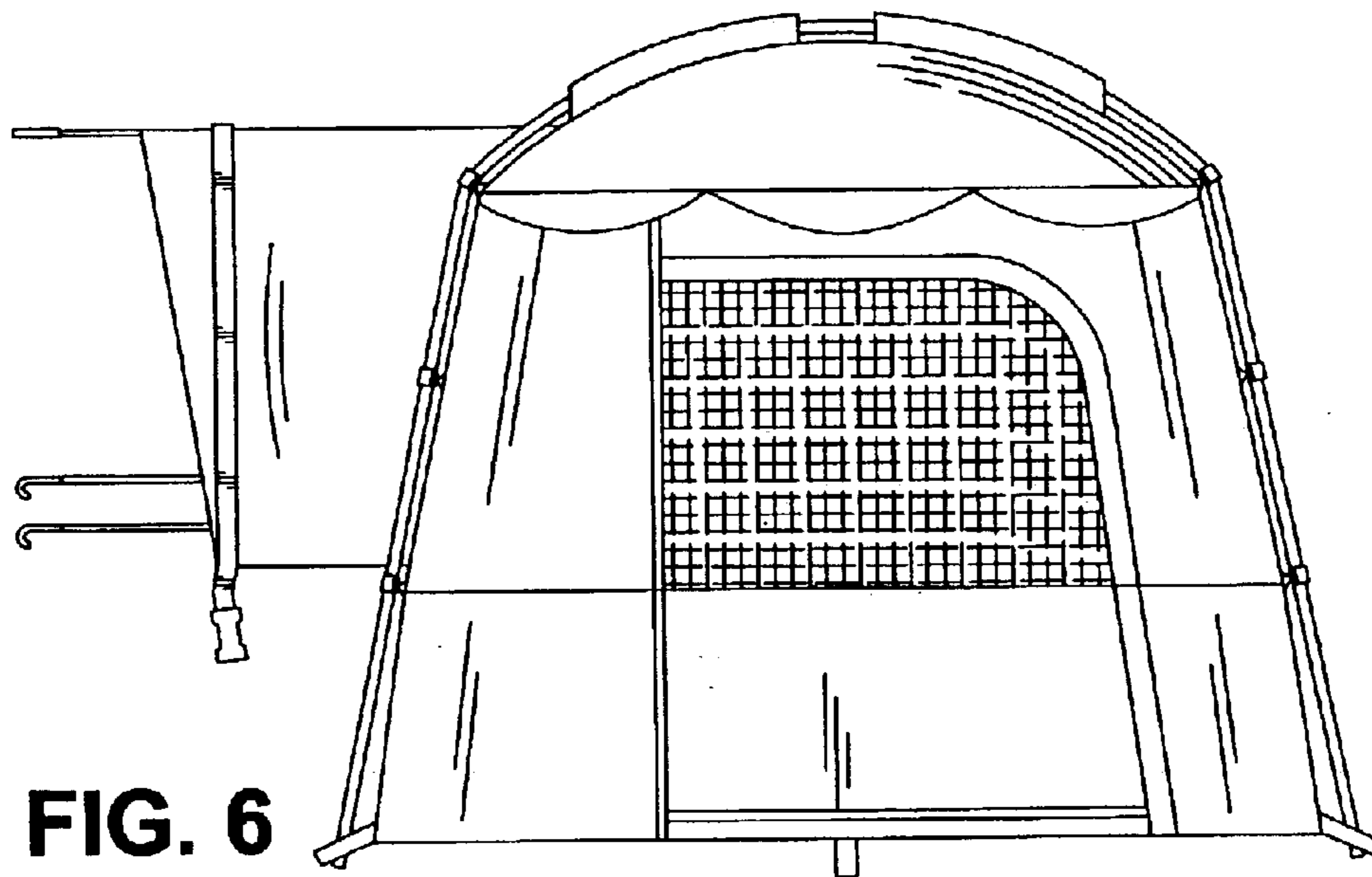


FIG. 6

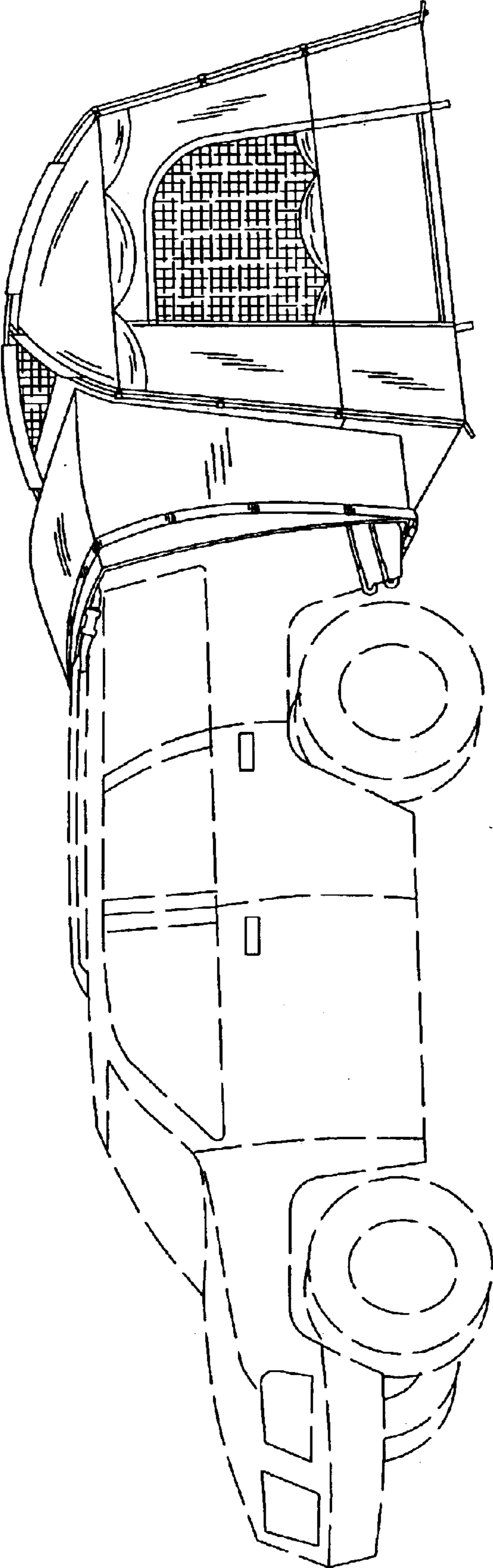


FIG. 7