

US00D503131S

(12) **United States Design Patent**
Underwood

(10) **Patent No.: US D503,131 S**
(45) **Date of Patent: ** Mar. 22, 2005**

(54) **HITCH STOP AND GUIDE**

(76) Inventor: **David A. Underwood**, 568 Rosedale Avenue, London, Ontario (CA), N6B 2C6

(**) Term: **14 Years**

(21) Appl. No.: **29/117,401**

(22) Filed: **Jan. 24, 2000**

(51) **LOC (7) Cl. 12-16**

(52) **U.S. Cl. D12/162**

(58) **Field of Search D12/162, 400; 280/477, 511, 504, 507, 508, 478.1**

(56) **References Cited**

U.S. PATENT DOCUMENTS

3,747,958 A	*	7/1973	Hackett	280/477
3,773,356 A	*	11/1973	Eichels et al.	280/477
D243,166 S	*	1/1977	Jones	D12/162
4,226,438 A	*	10/1980	Collins	280/477
4,417,748 A	*	11/1983	Dortch	280/477
4,781,394 A	*	11/1988	Schwarz et al.	280/477
4,854,604 A	*	8/1989	Stallsworth	280/477
4,871,184 A	*	10/1989	Johnson	280/477
D311,511 S	*	10/1990	Craig	D12/162

D319,204 S	*	8/1991	McGrady	D12/162
D331,899 S	*	12/1992	Brisson	D12/162
5,330,196 A	*	7/1994	Ricles	280/477
5,516,139 A	*	5/1996	Woods	280/477
D372,447 S	*	8/1996	McCoy et al.	D12/162
D372,892 S	*	8/1996	McCoy et al.	D12/162
5,549,316 A	*	8/1996	Jones	280/477
D378,669 S	*	4/1997	Gregory	D12/162
D379,608 S	*	6/1997	Rodriguez	D12/162
D415,725 S	*	10/1999	Wyant	D12/162
D431,504 S	*	10/2000	Hoska	D12/162

* cited by examiner

Primary Examiner—Stacia Cadmus

(74) *Attorney, Agent, or Firm*—Anissimoff & Associates

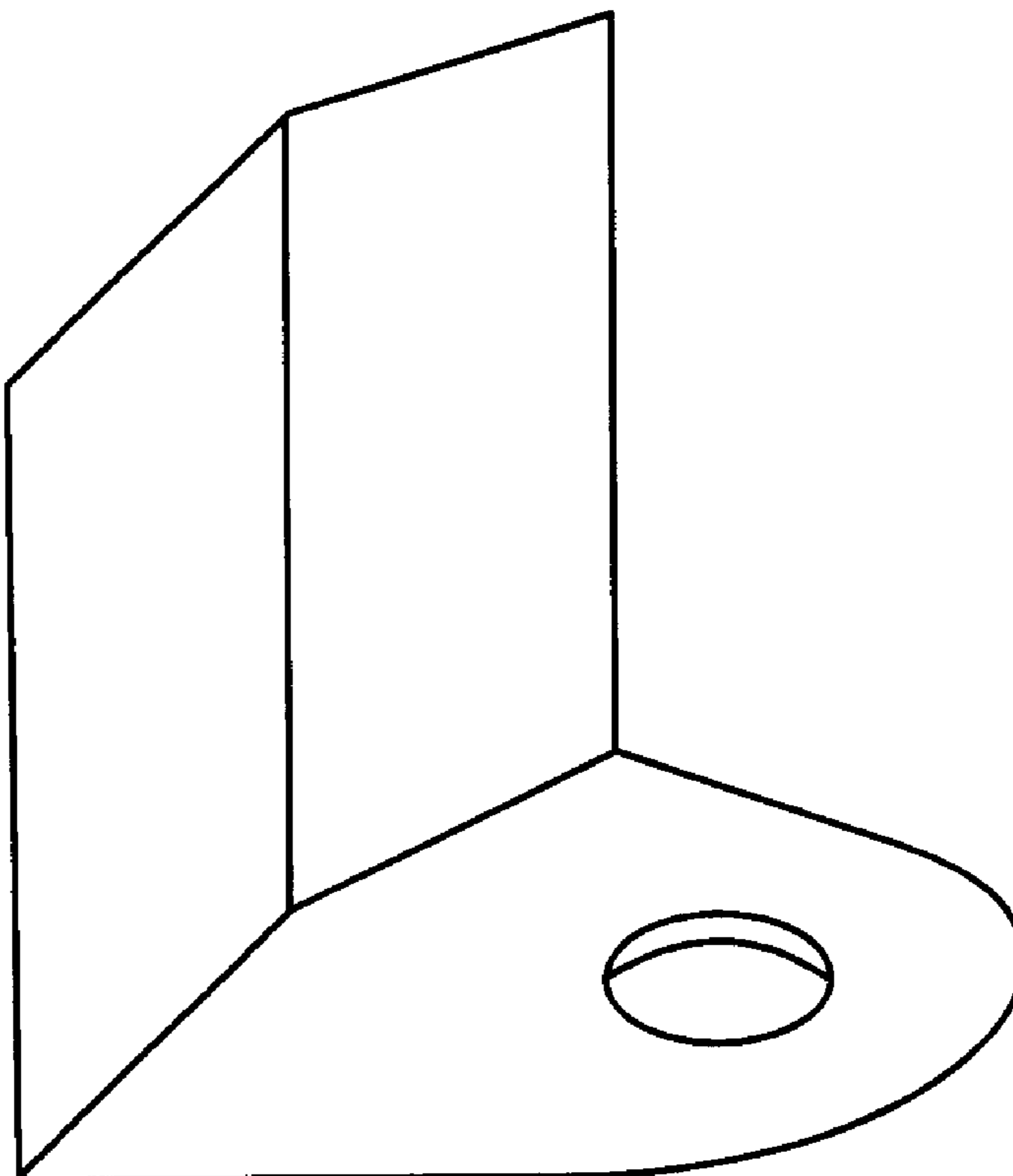
(57) **CLAIM**

The ornamental design for a hitch stop and guide, as shown and described.

DESCRIPTION

FIG. 1 is a perspective view of a hitch stop and guide. FIG. 2 is a front elevation view thereof. FIG. 3 is a top plan view thereof; and, FIG. 4 is a side elevation view thereof, the opposite side being a mirror image of that shown.

1 Claim, 1 Drawing Sheet



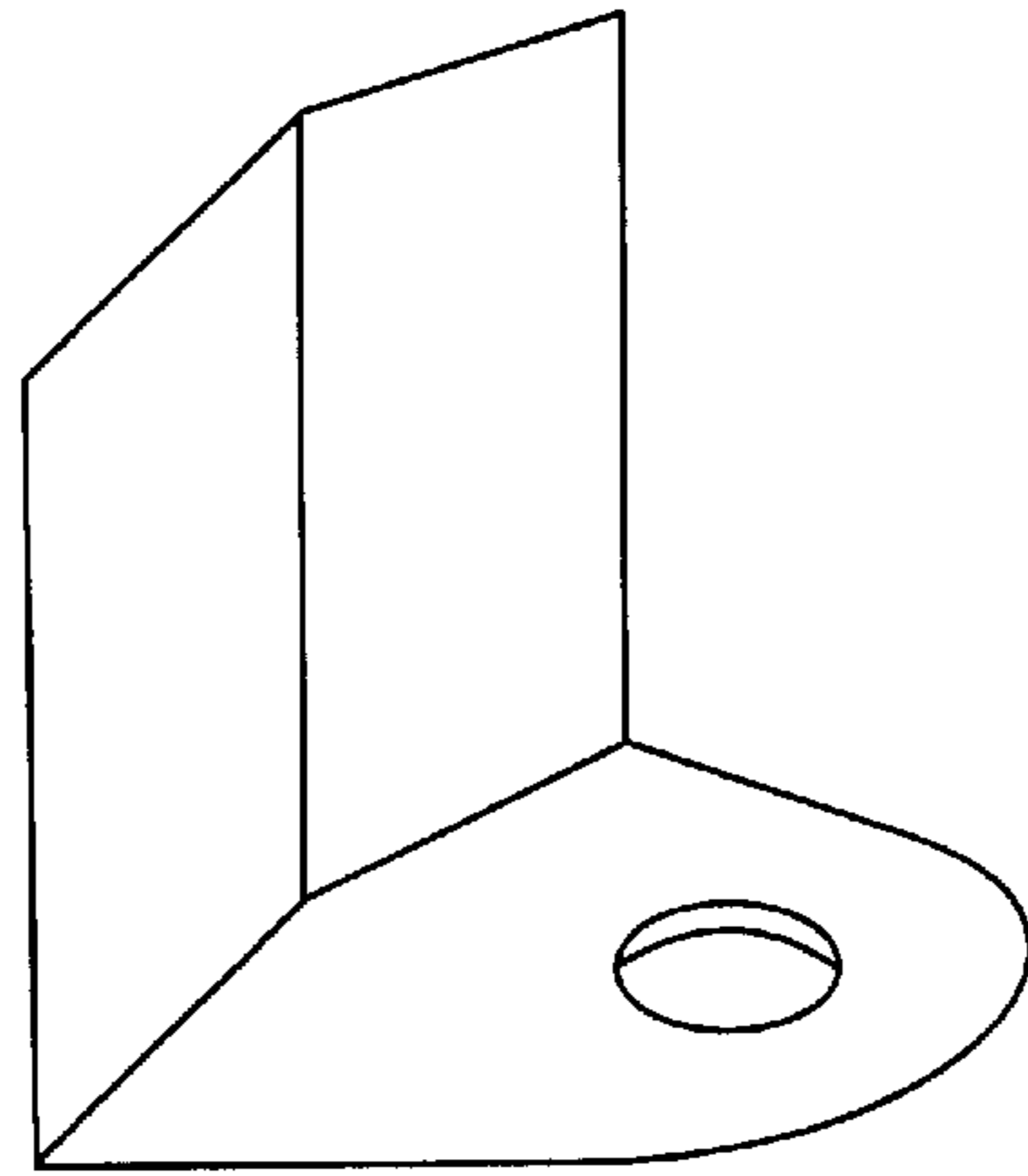


FIG. 1

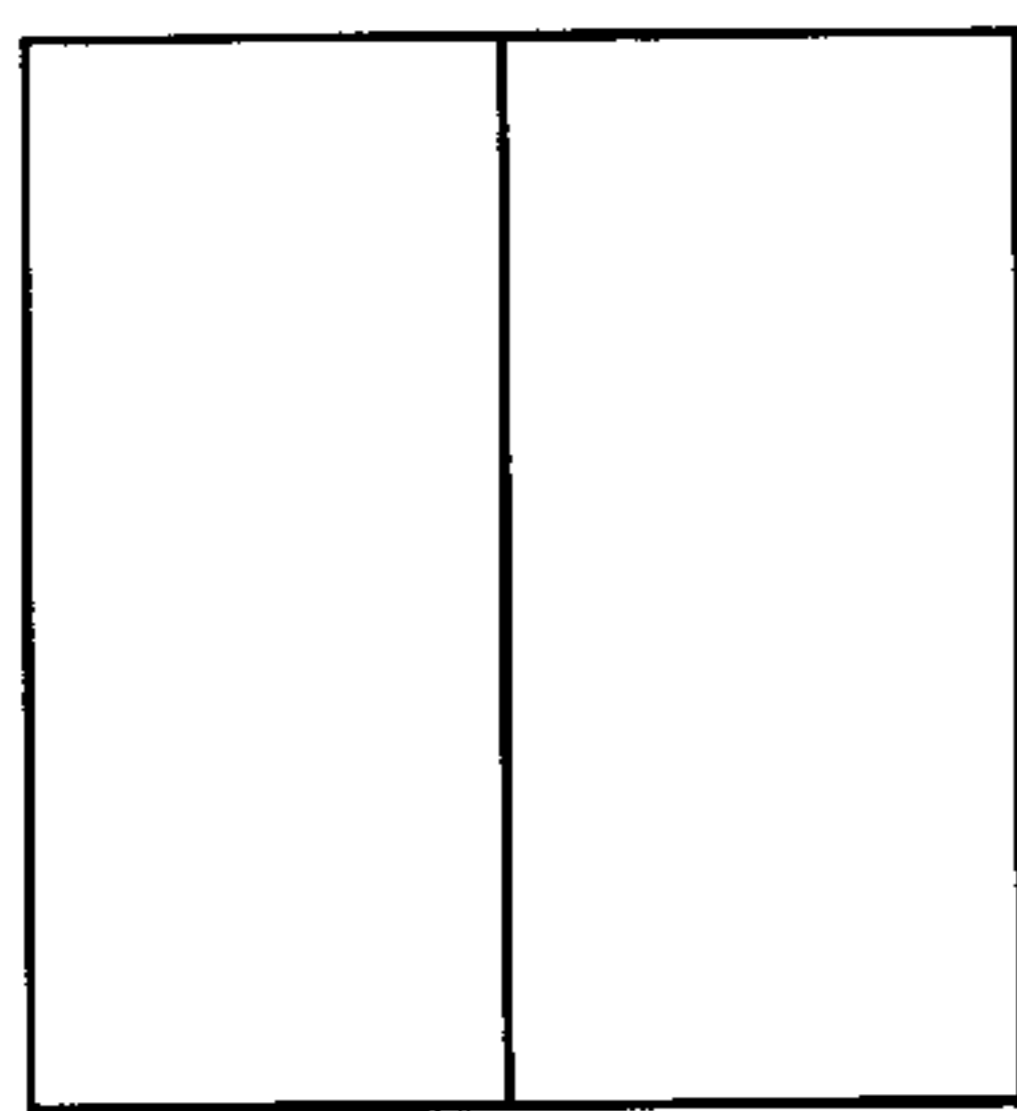


FIG. 2

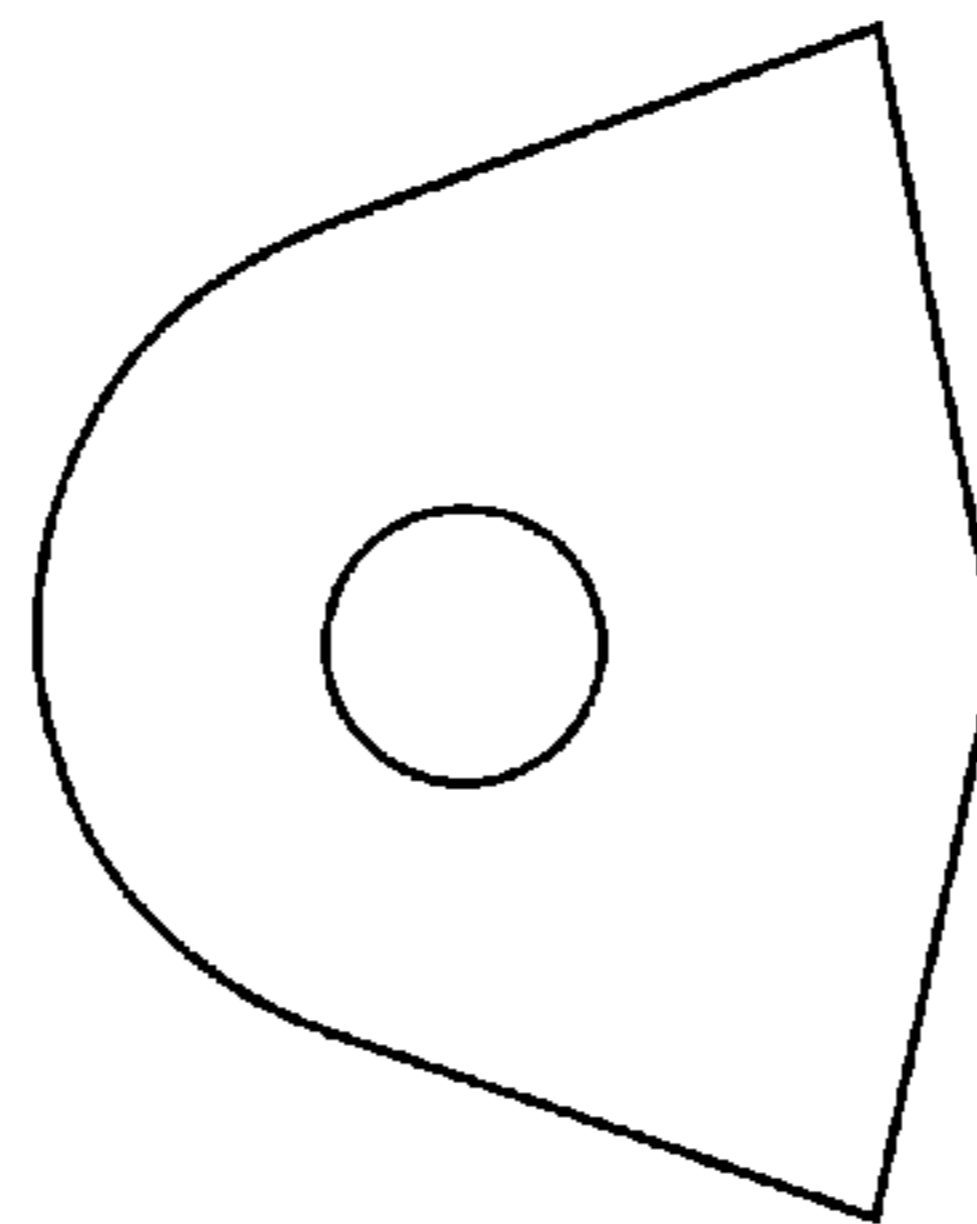


FIG. 3

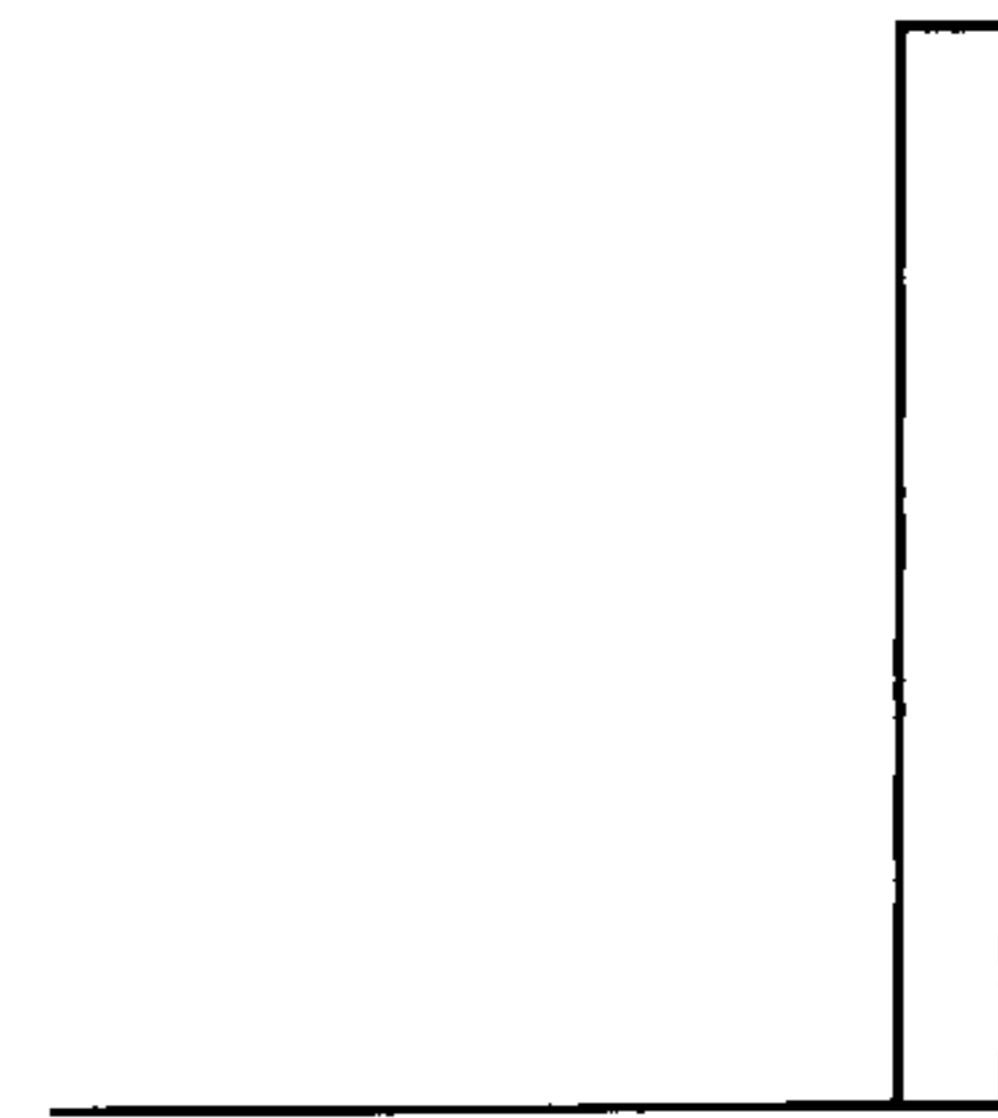


FIG. 4