

US00D503120S

(12) **United States Design Patent**
Sato et al.

(10) **Patent No.:** **US D503,120 S**
(45) **Date of Patent:** **** Mar. 22, 2005**

(54) **BODY COMPOSITION METER**

(75) Inventors: **Masaaki Sato**, Shiki (JP); **Toshihiko Sakai**, Tokyo (JP)

(73) Assignee: **Tanita Corporation**, Tokyo (JP)

(**) Term: **14 Years**

(21) Appl. No.: **29/202,654**

(22) Filed: **Apr. 5, 2004**

(30) **Foreign Application Priority Data**

Nov. 13, 2003 (JP) D 2003-033840

(51) **LOC (7) Cl.** **10-04**

(52) **U.S. Cl.** **D10/93; D10/97**

(58) **Field of Search** D10/93, 97; 73/592,
73/597; 177/25.11, 25.12, 25.13, 25.14,
25.15, 25.16, 25.17, 25.18, 210 R, 236-245;
600/547, 449, 442, 443

(56) **References Cited**

U.S. PATENT DOCUMENTS

D377,784 S	*	2/1997	Wilson	D10/93
D378,082 S	*	2/1997	Wilson	D10/93
D417,440 S	*	12/1999	Wilson	D10/93
6,038,465 A	*	3/2000	Melton, Jr.	600/407
6,280,396 B1	*	8/2001	Clark	600/547
6,327,494 B1	*	12/2001	Sakai	600/547
6,490,481 B1	*	12/2002	Komatsu et al.	600/547
RE37,954 E	*	1/2003	Sato et al.	600/547
6,516,221 B1	*	2/2003	Hirouchi et al.	600/547

6,643,542 B1	*	11/2003	Kawanishi	600/547
6,665,561 B2	*	12/2003	Baba et al.	600/547
6,725,089 B2	*	4/2004	Komatsu et al.	600/547

* cited by examiner

Primary Examiner—Antoine D. Davis

(74) *Attorney, Agent, or Firm*—McDermott Will & Emery LLP

(57) **CLAIM**

The ornamental design for a body composition meter, as shown and described.

DESCRIPTION

FIG. 1 is a perspective view from above of a body composition meter according to our novel design;
 FIG. 2 is a front view of the body composition meter of FIG. 1;
 FIG. 3 is a rear view of the body composition meter of FIG. 1;
 FIG. 4 is a left side view of the body composition meter of FIG. 1;
 FIG. 5 is a right side view of the body composition meter of FIG. 1;
 FIG. 6 is a plan view of the body composition meter of FIG. 1;
 FIG. 7 is a bottom view of the body composition meter of FIG. 1; and,
 FIG. 8 is a plan view of the body composition meter of FIG. 1 with the display being switched on.

1 Claim, 6 Drawing Sheets

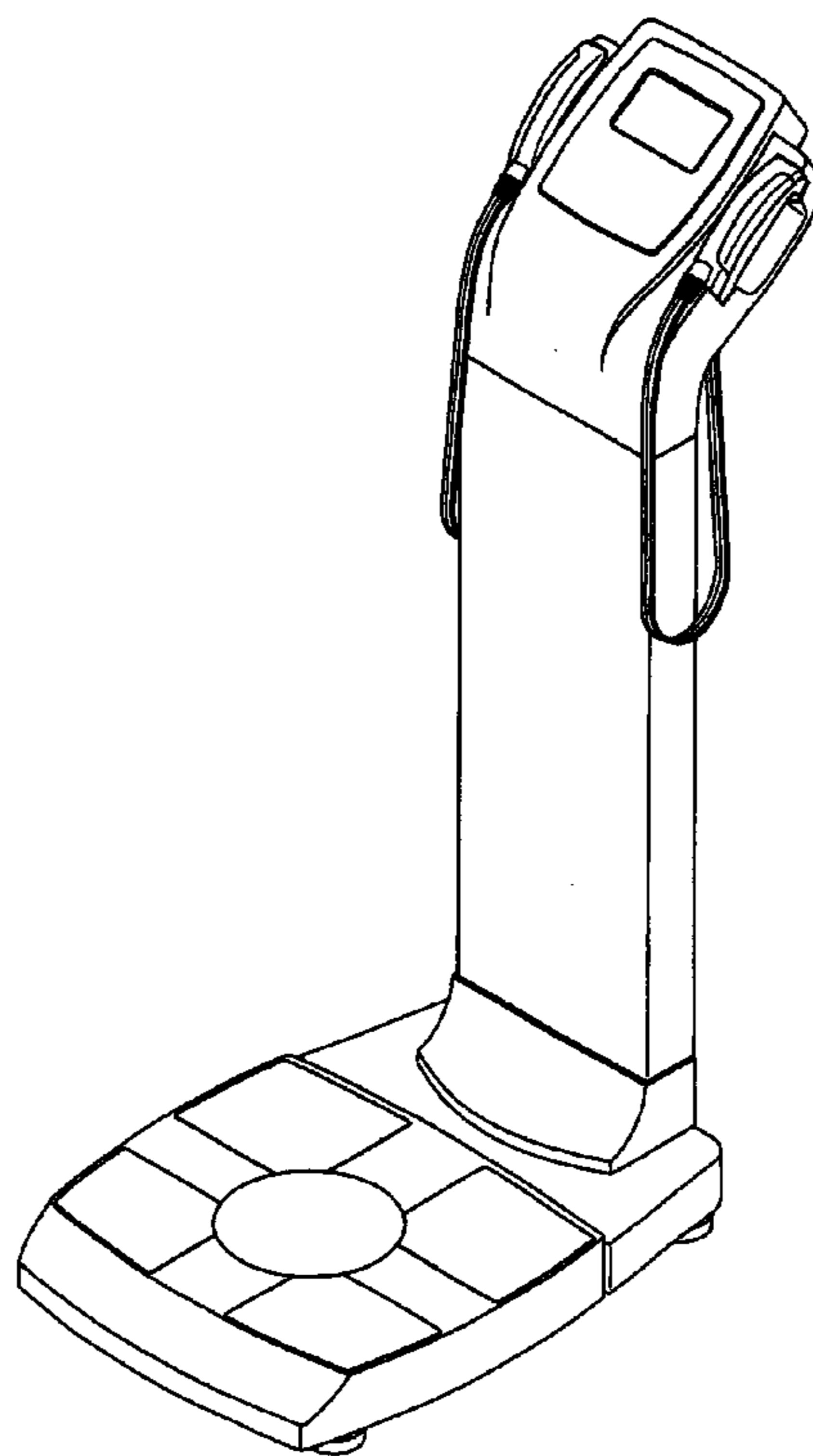


FIG. 1

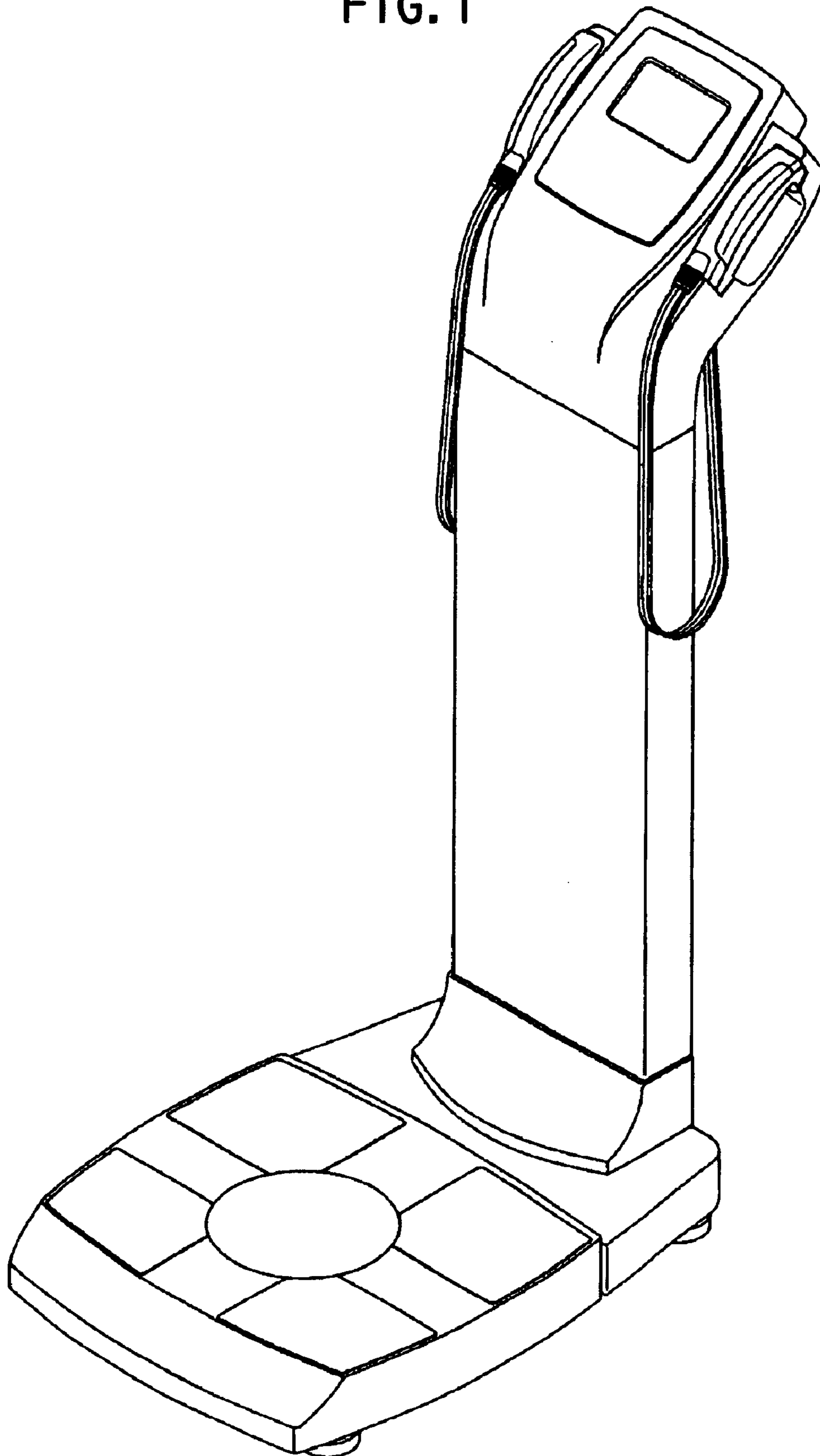


FIG. 2

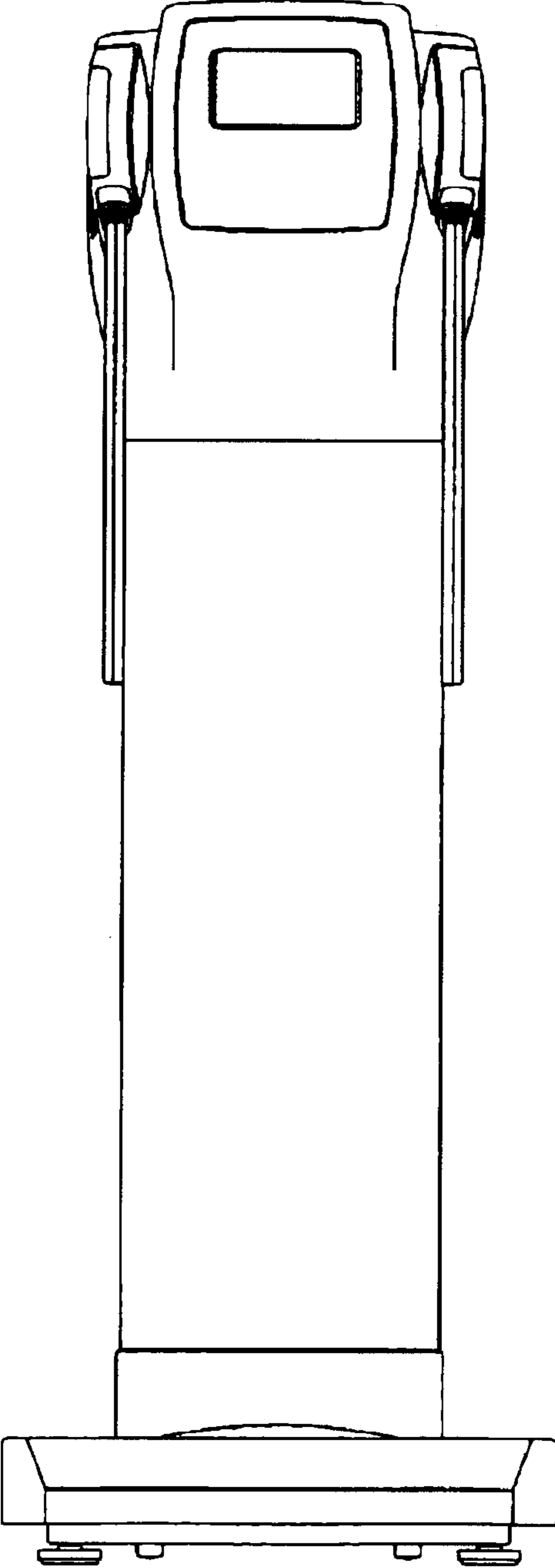
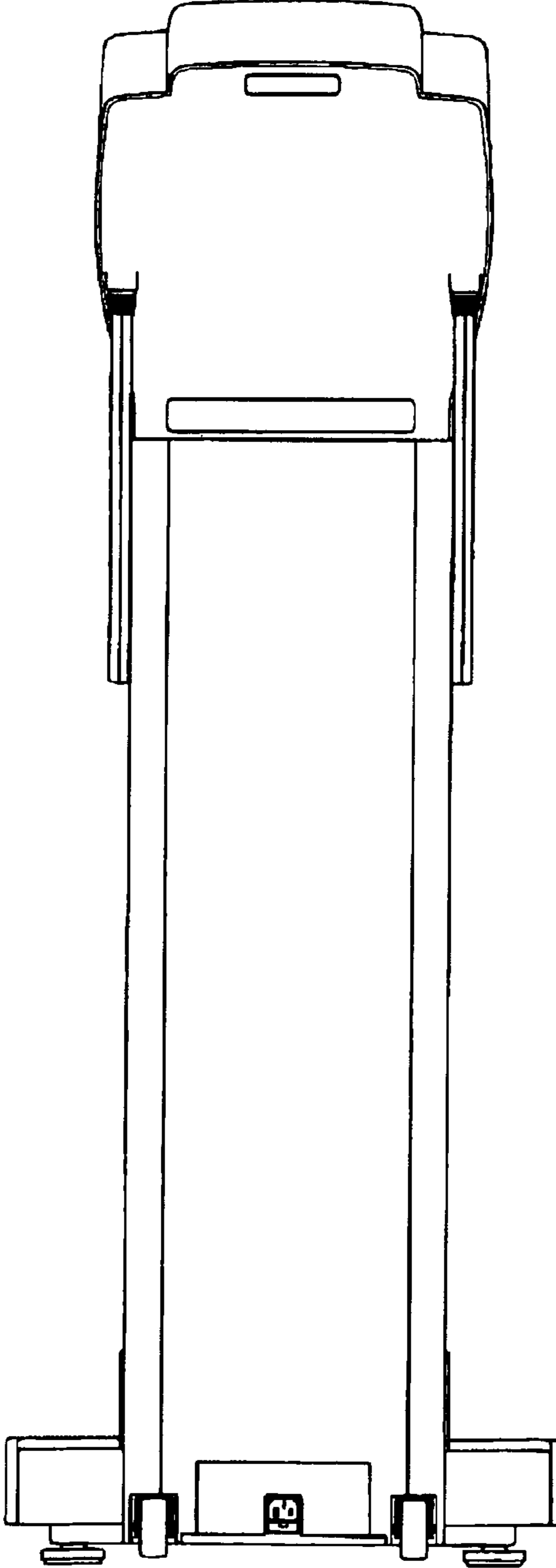


FIG. 3



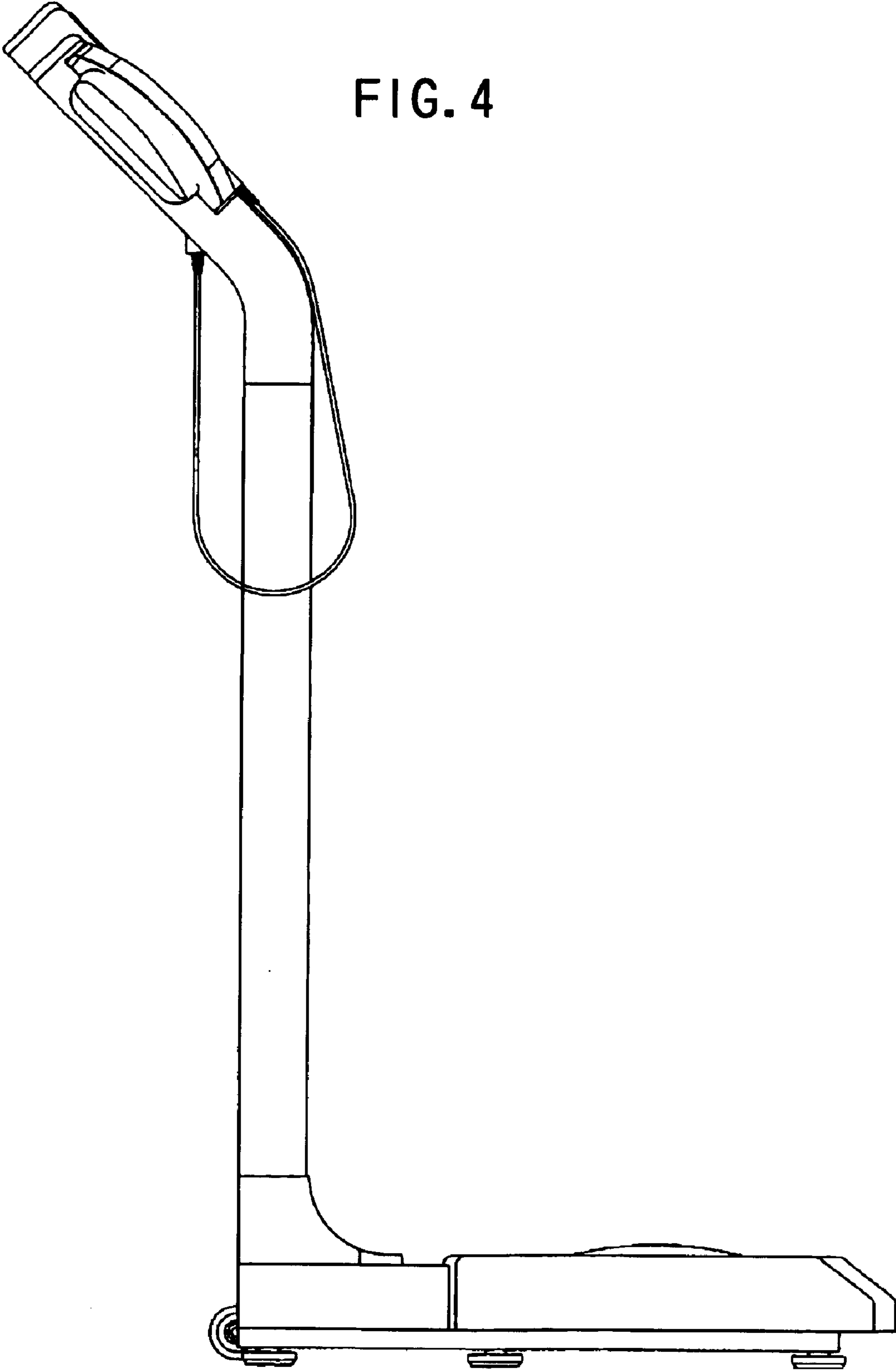


FIG. 4

FIG. 5

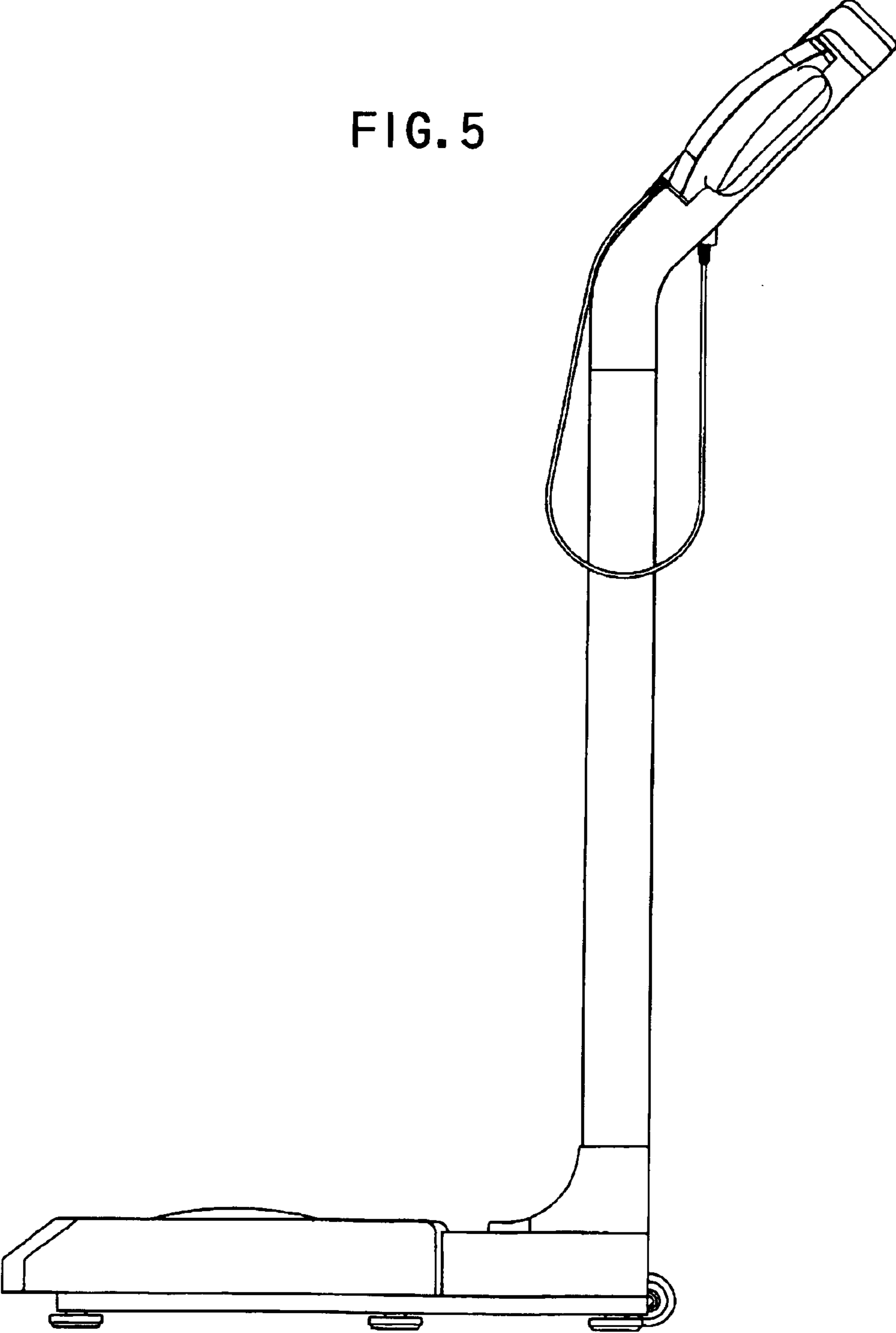


FIG. 6

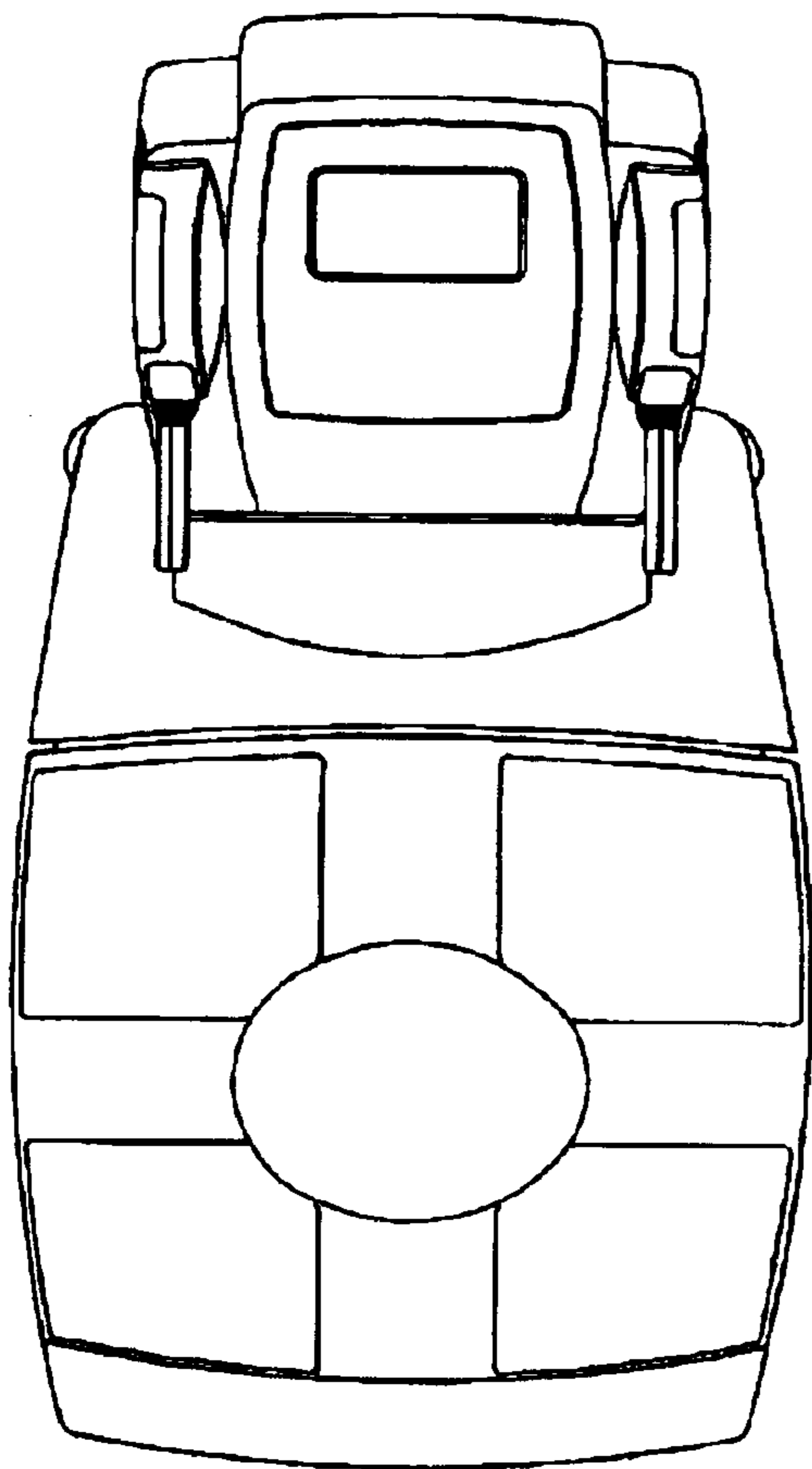


FIG. 7

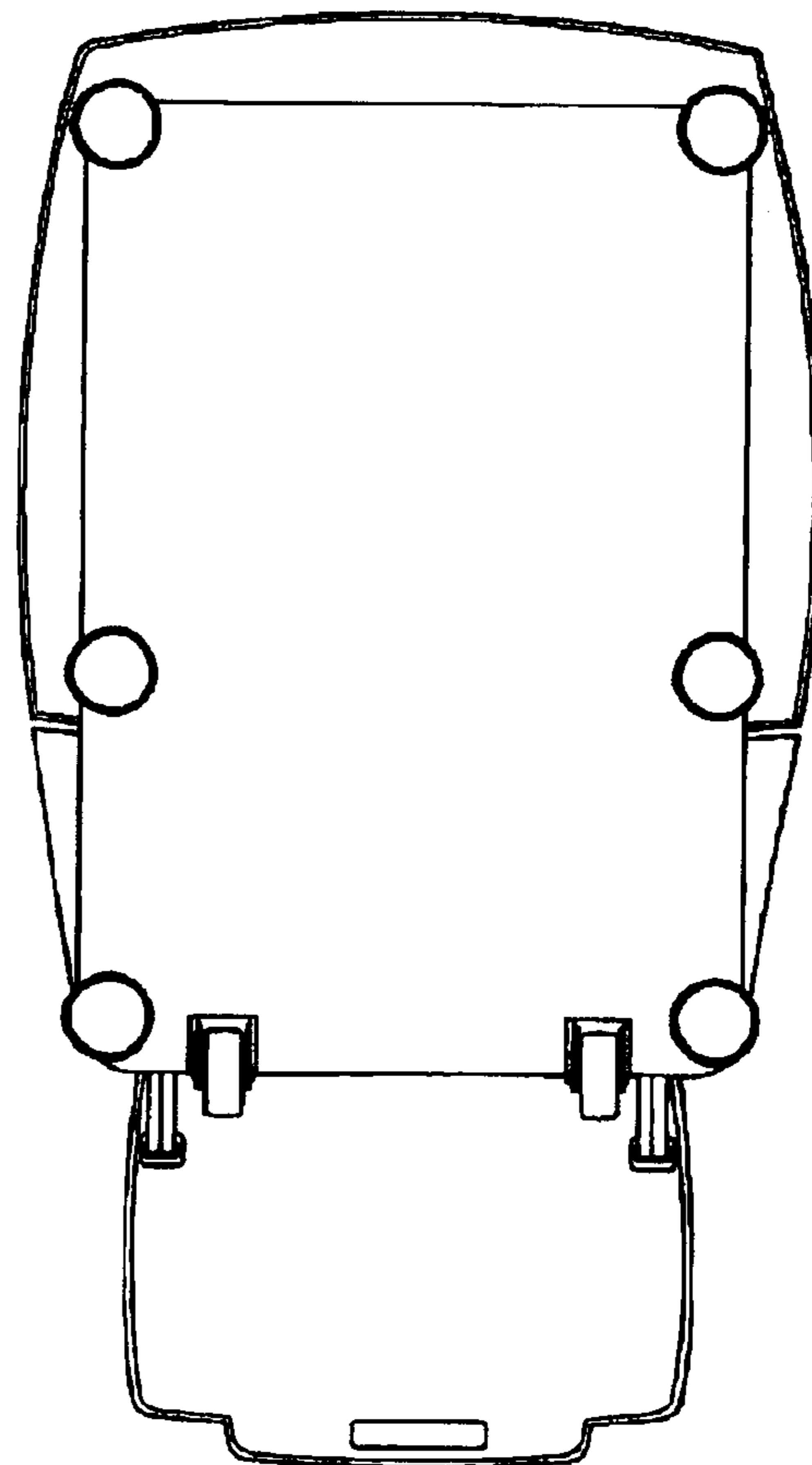


FIG. 8

