

US00D503118S

(12) **United States Design Patent**
Jørgensen

(10) **Patent No.:** **US D503,118 S**
(45) **Date of Patent:** **** Mar. 22, 2005**

(54) **SCALES**
(75) **Inventor:** **Carsten Jørgensen, St. Niklausen (CH)**
(73) **Assignee:** **PI-Design AG, Triengen (CH)**
(**) **Term:** **14 Years**

(21) **Appl. No.:** **29/193,548**
(22) **Filed:** **Nov. 12, 2003**

(30) **Foreign Application Priority Data**
May 15, 2003 (DK) DA 2003 00268
(51) **LOC (7) Cl.** **10-04**
(52) **U.S. Cl.** **D10/92**
(58) **Field of Search** D10/87-92; 177/25.12,
177/25.13, 177, 238-245

(56) **References Cited**
U.S. PATENT DOCUMENTS
D105,126 S * 6/1937 Morgan D10/92
D201,830 S * 8/1965 Mox D10/92
D395,019 S * 6/1998 Stutzer et al. D10/92

D406,244 S * 3/1999 Fabian D10/92
D460,372 S * 7/2002 Stephens D10/92
6,700,080 B2 * 3/2004 Stephens 177/126

* cited by examiner
Primary Examiner—Lucy Lieberman
(74) *Attorney, Agent, or Firm*—Nath & Associates; Gary M. Nath

(57) **CLAIM**

The ornamental design for a scale, as shown and described.

DESCRIPTION

FIG. 1 is a top, front and right side perspective view of a scale showing my new design;
FIG. 2 is a front view of the scales, as shown in FIG. 1;
FIG. 3 is a rear elevation of the scale;
FIG. 4 is a right side view of the scales;
FIG. 5 is a left side view of the scales;
FIG. 6 is a top view of the scales; and,
FIG. 7 is a bottom view of the scales.
The various views in the drawings have been drawn different sizes.

1 Claim, 7 Drawing Sheets

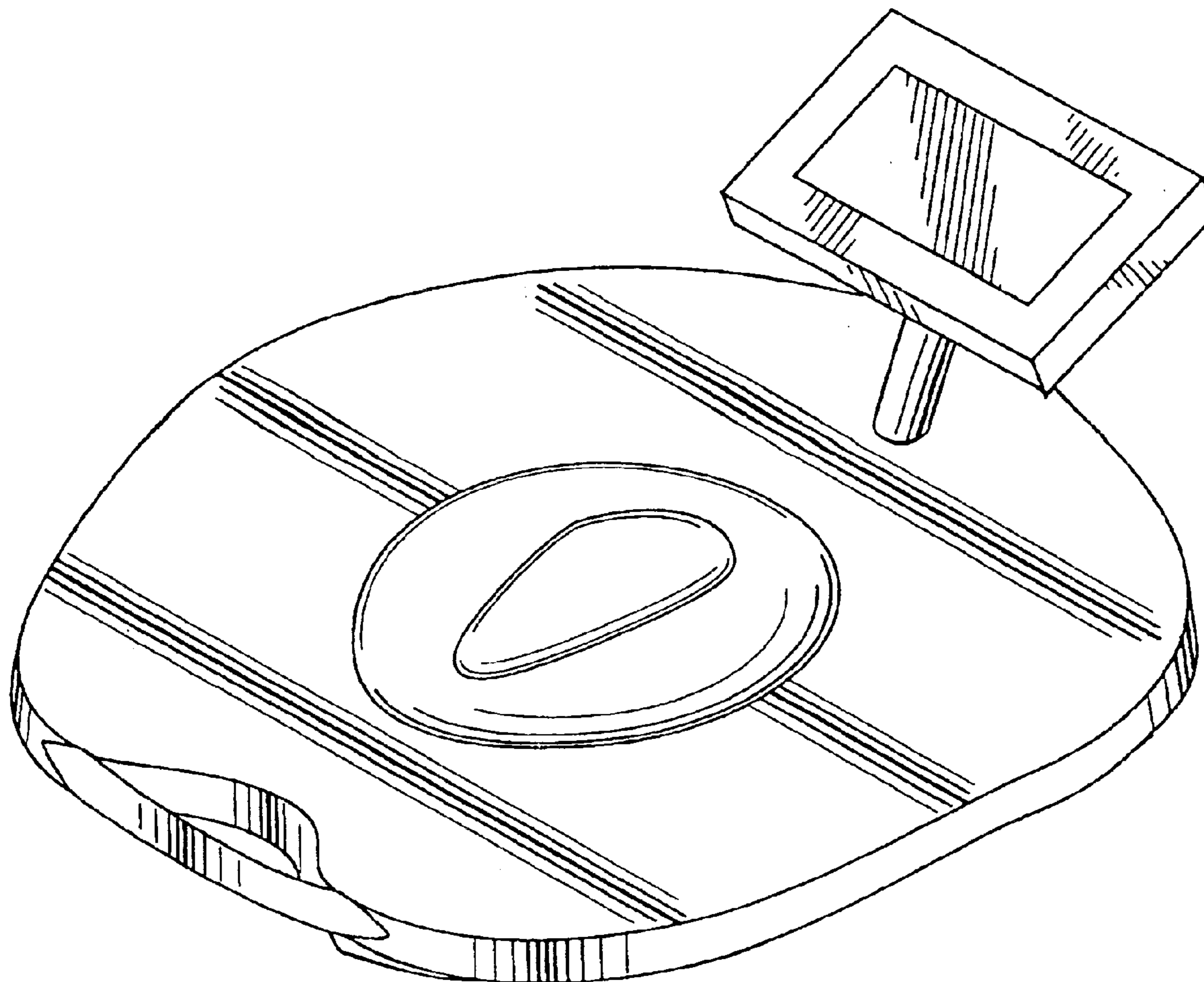


FIG. 1

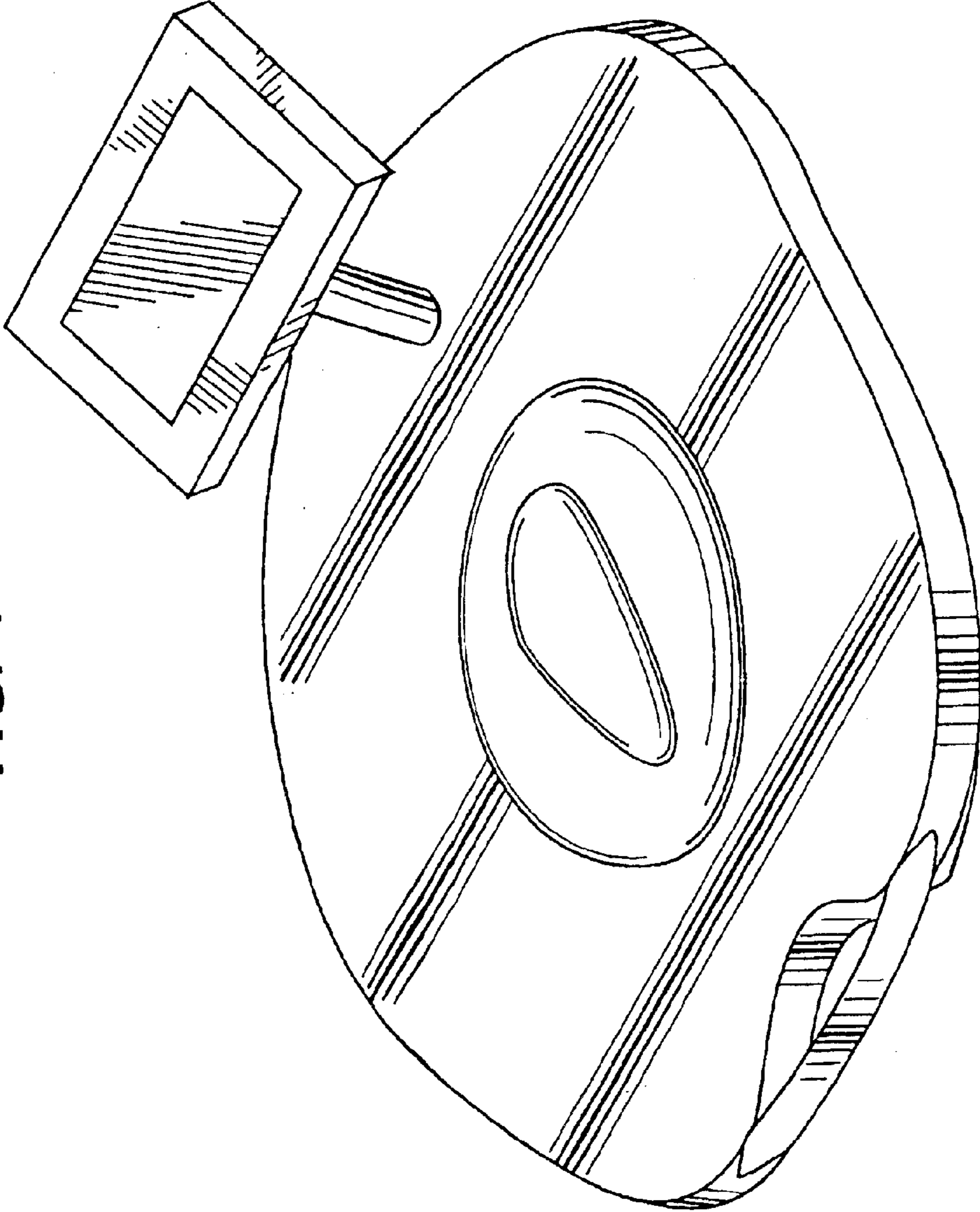


FIG. 2

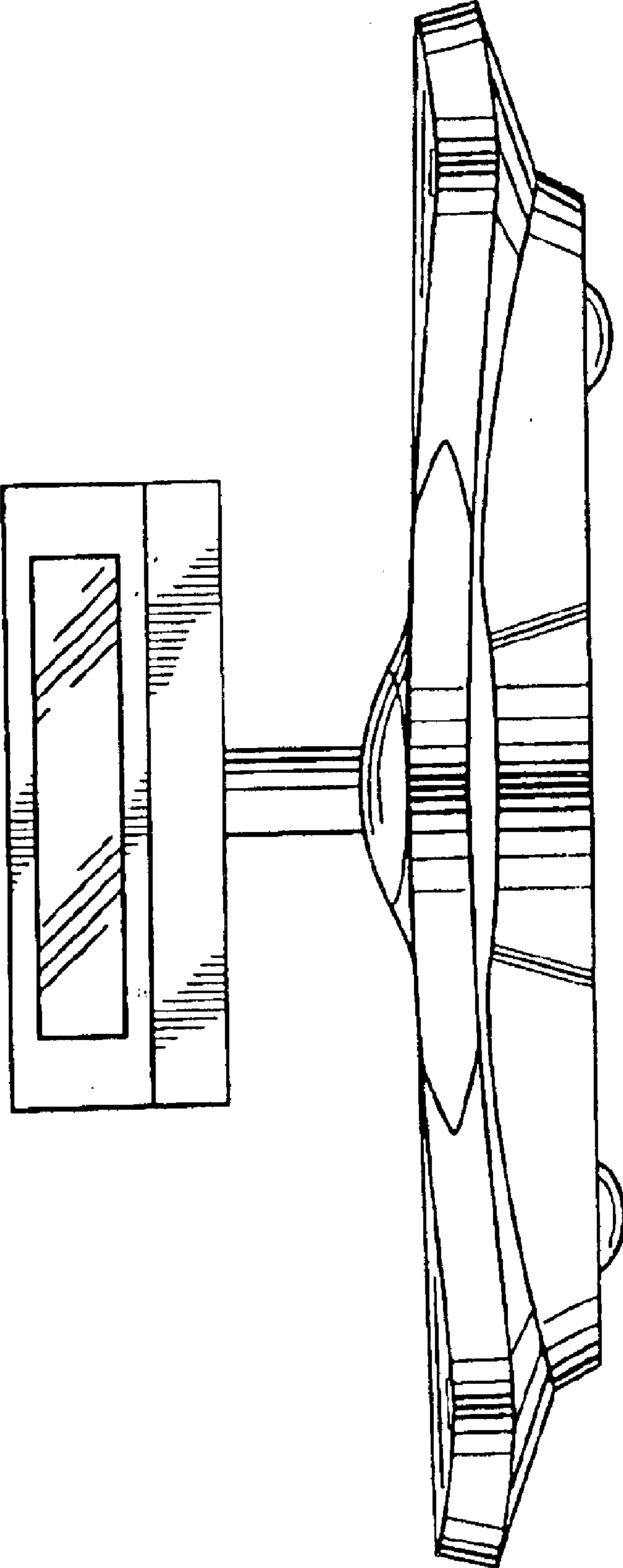
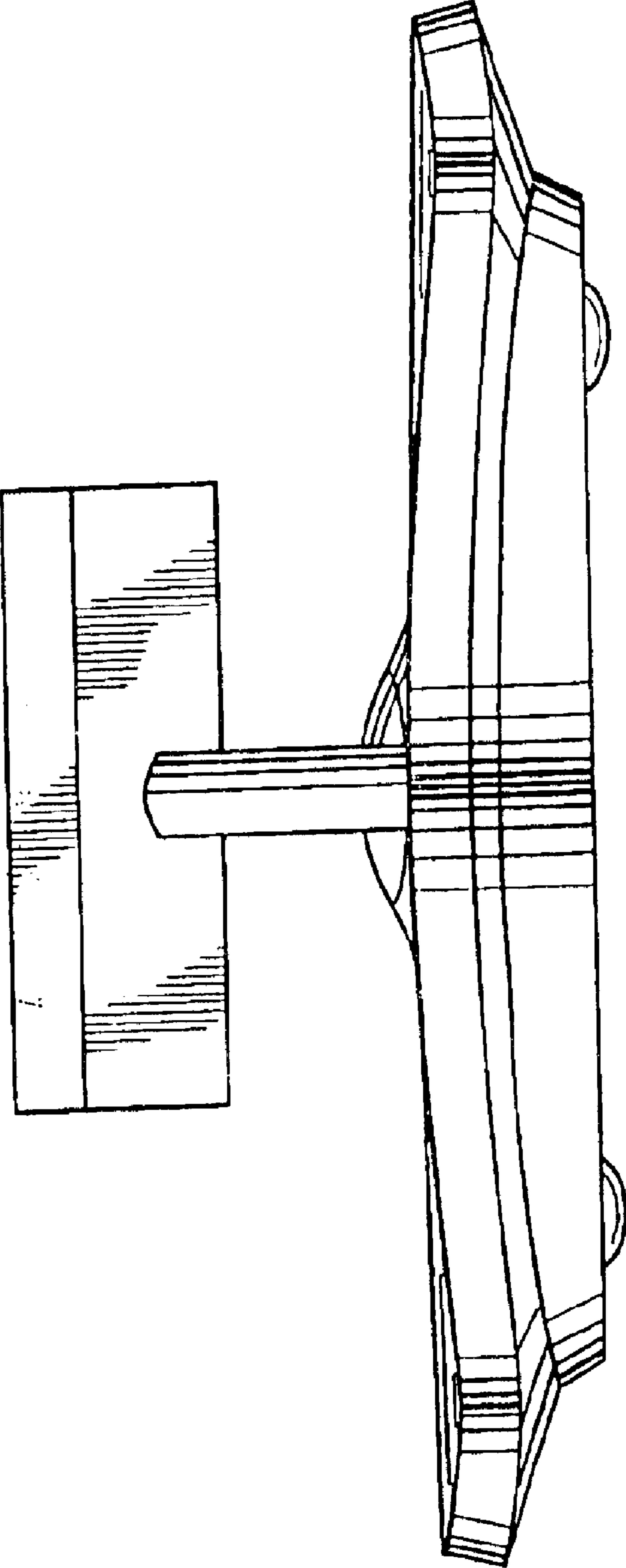


FIG. 3



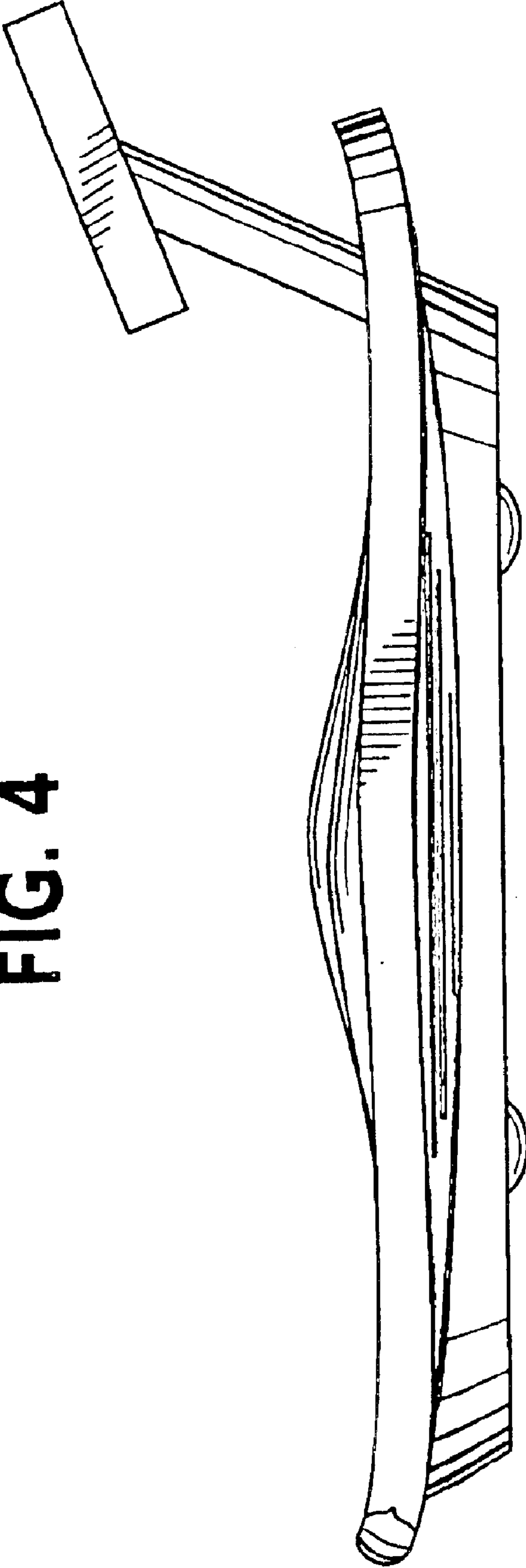


FIG. 4

FIG. 5

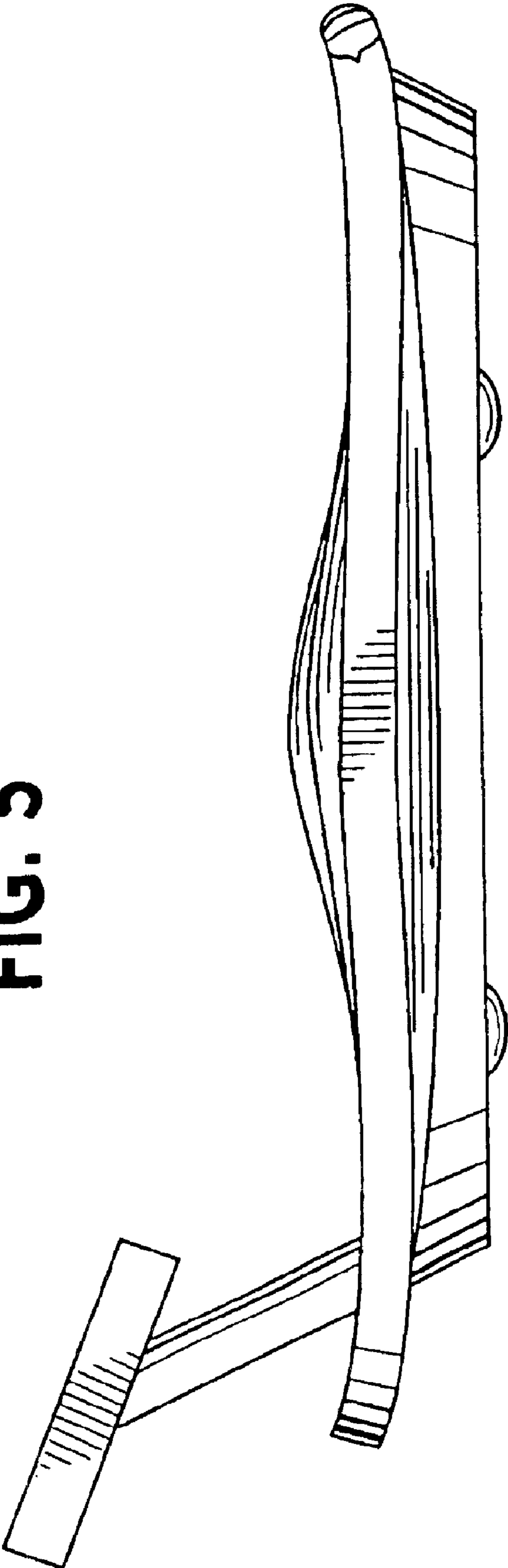


FIG. 6

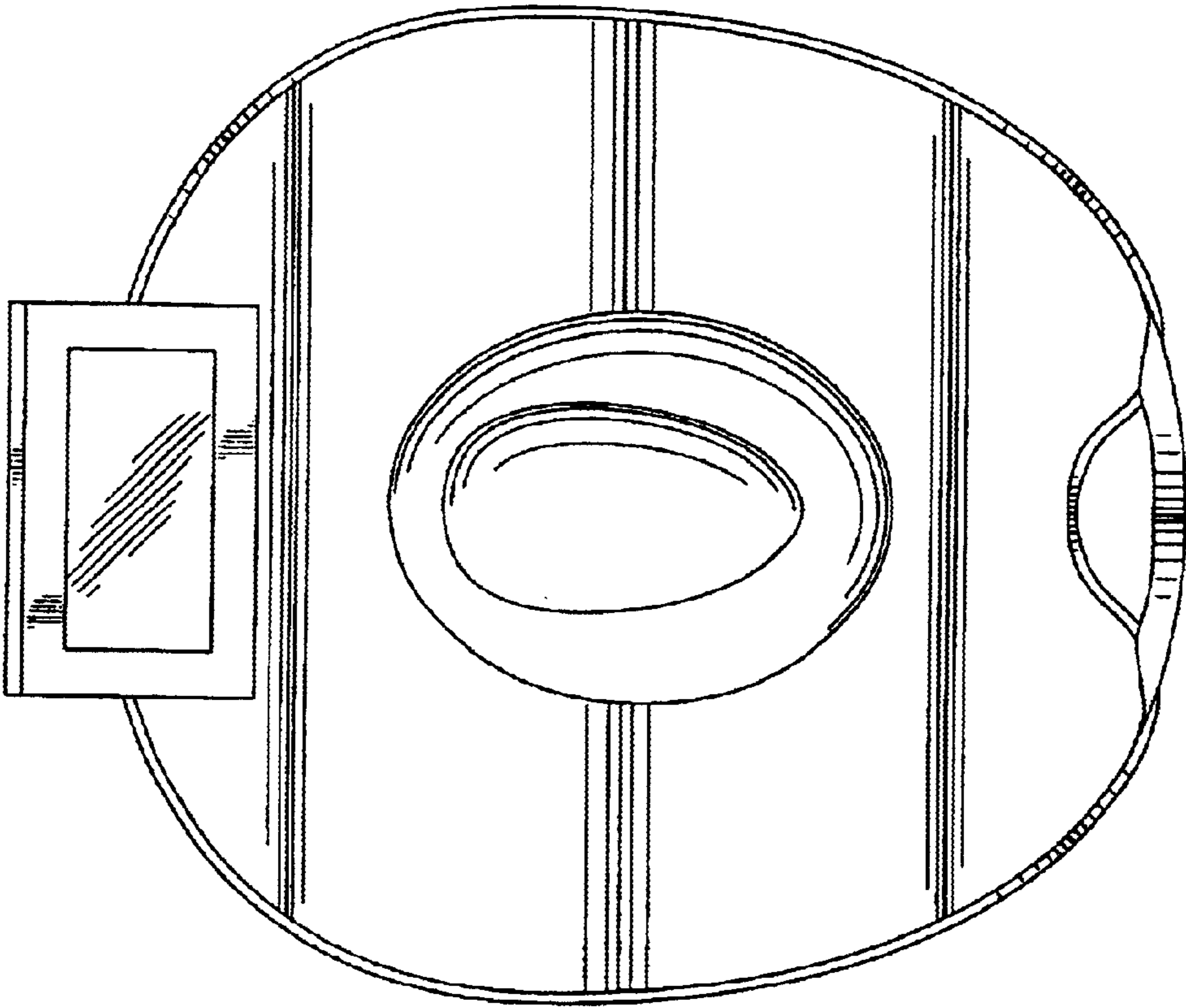


FIG. 7

