

US00D503114S

(12) **United States Design Patent**  
Tse

(10) **Patent No.:** **US D503,114 S**  
(45) **Date of Patent:** **\*\* Mar. 22, 2005**

(54) **CLOCK**

(75) Inventor: **Wai Sze Tse, Hong Kong (CN)**

(73) Assignee: **Diffany Development Co., Limited,**  
**Hong Kong (CN)**

(\*\*) Term: **14 Years**

(21) Appl. No.: **29/205,959**

(22) Filed: **May 24, 2004**

(51) **LOC (7) Cl.** ..... **10-01**

(52) **U.S. Cl.** ..... **D10/15; D10/26**

(58) **Field of Search** ..... **D10/1-40, 122-132;**  
**368/28-30, 41-44, 82-84, 239-242, 276-277,**  
**280-282, 285; D6/335, 363, 360, 366;**  
**D14/238, 125, 129**

(56) **References Cited**

**U.S. PATENT DOCUMENTS**

- D297,690 S \* 9/1988 Opsvik ..... D6/500
- D318,867 S \* 8/1991 Mitchell ..... D16/202
- D326,675 S \* 6/1992 Snell ..... D16/202
- D354,485 S \* 1/1995 Maeno et al. .... D14/129

- D378,714 S \* 4/1997 Beaulieu ..... D6/366
- D392,303 S \* 3/1998 Hern ..... D16/225
- D394,646 S \* 5/1998 Ratzlaff ..... D14/451
- D407,022 S \* 3/1999 Kuo ..... D10/6
- D408,296 S \* 4/1999 Hui ..... D10/15
- D457,527 S \* 5/2002 Manuel et al. .... D14/447
- D462,906 S \* 9/2002 Daniel ..... D10/15

\* cited by examiner

*Primary Examiner*—Nelson C. Holtje

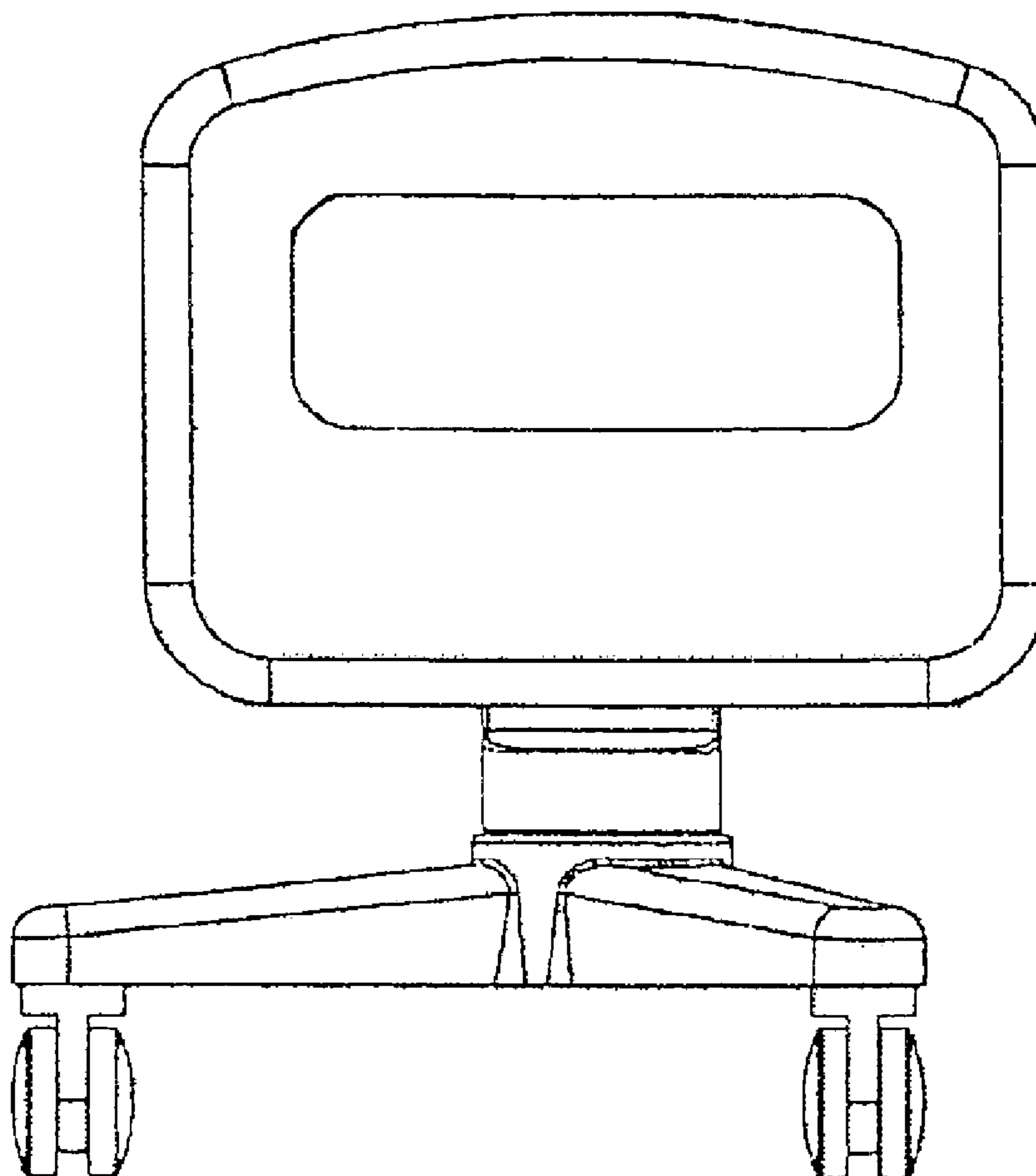
(57) **CLAIM**

The ornamental design for a clock, as shown.

**DESCRIPTION**

The claimed clock is used for measuring or indicating time. FIG. 1 is a front elevational view of a clock showing my new design; FIG. 2 is a rear elevational view thereof; FIG. 3 is a left side view thereof; FIG. 4 is a right side view thereof; FIG. 5 is a top plan view thereof; and, FIG. 6 is a bottom plan view thereof.

**1 Claim, 3 Drawing Sheets**



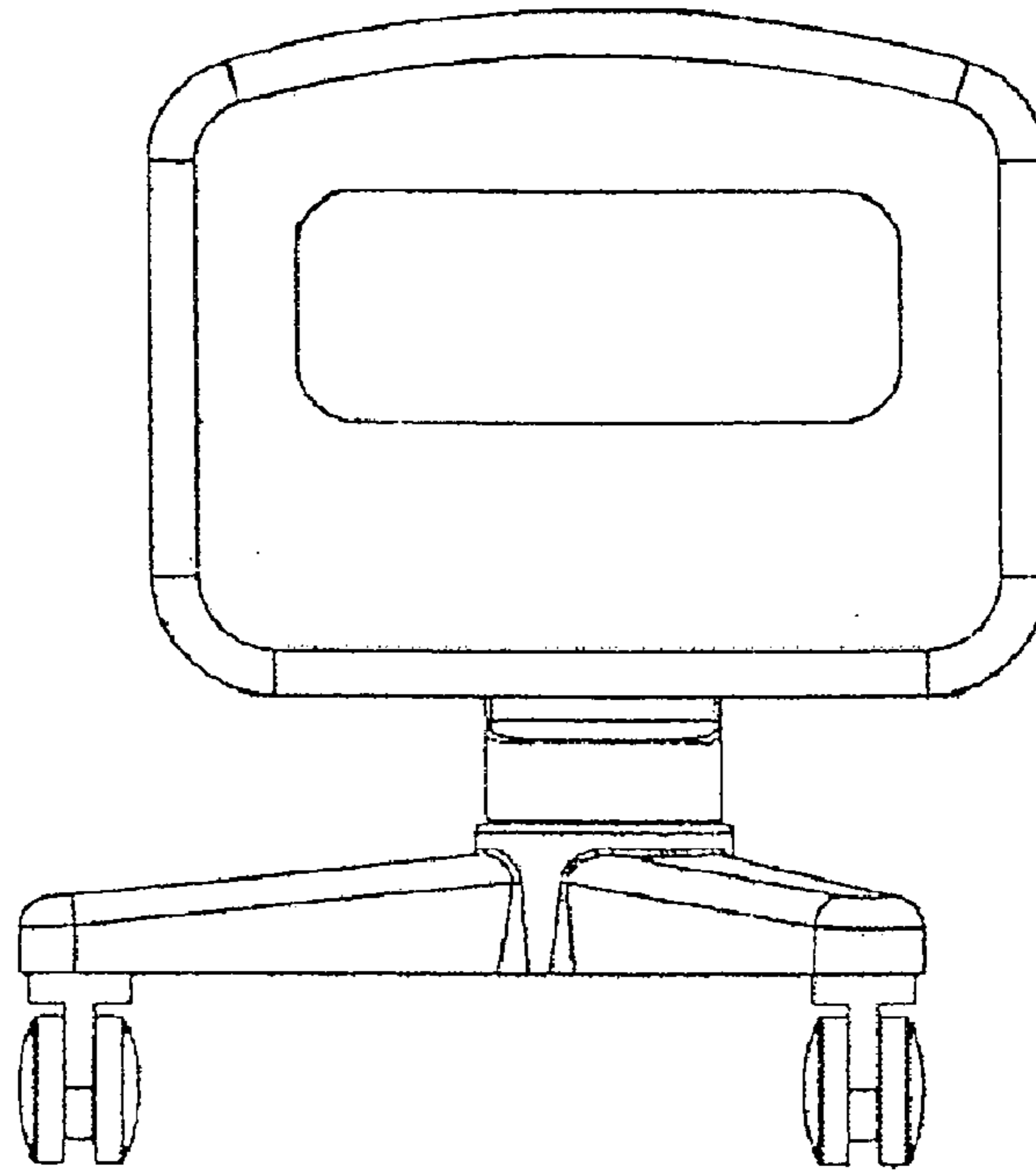


FIG. 1

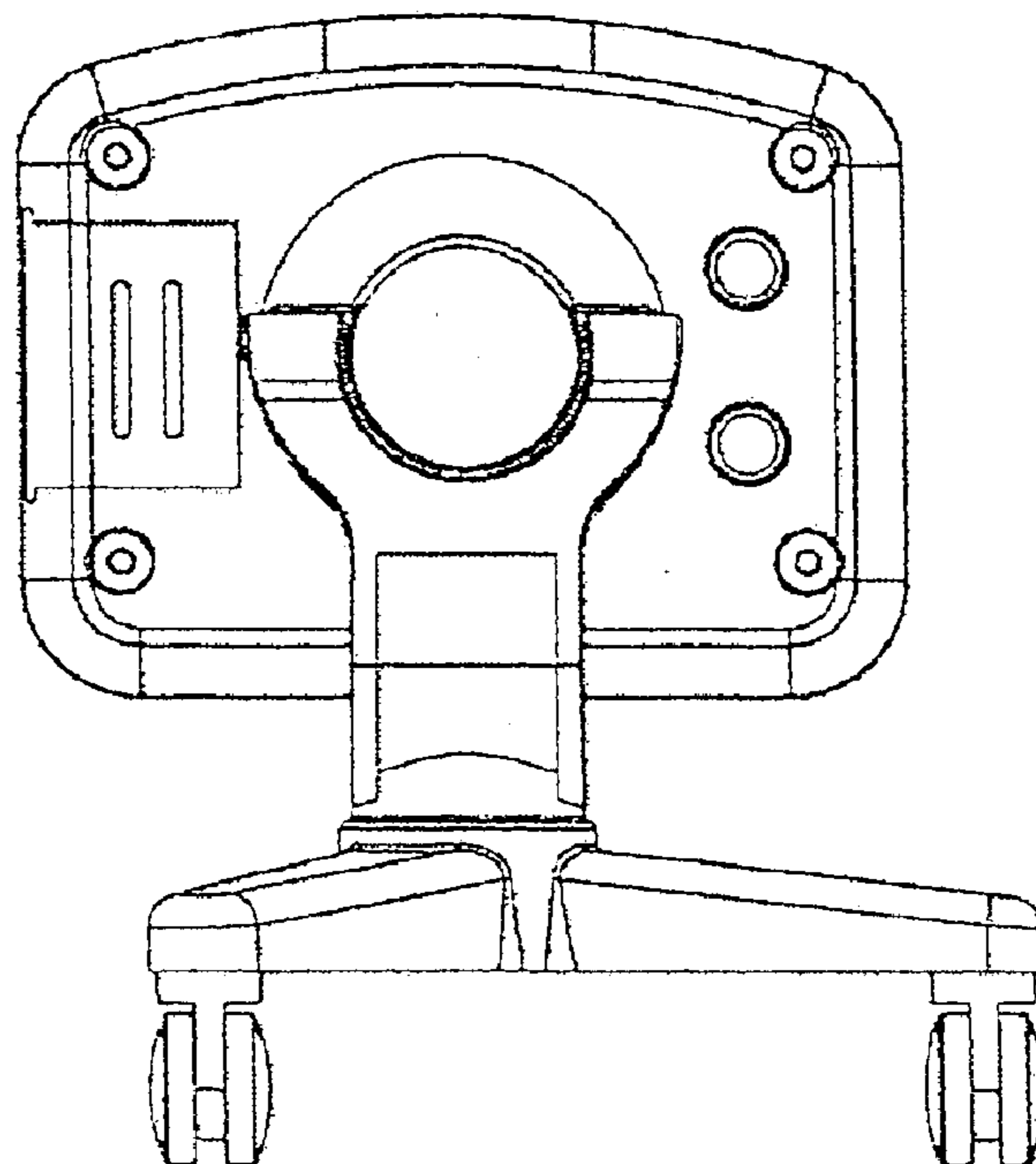


FIG. 2

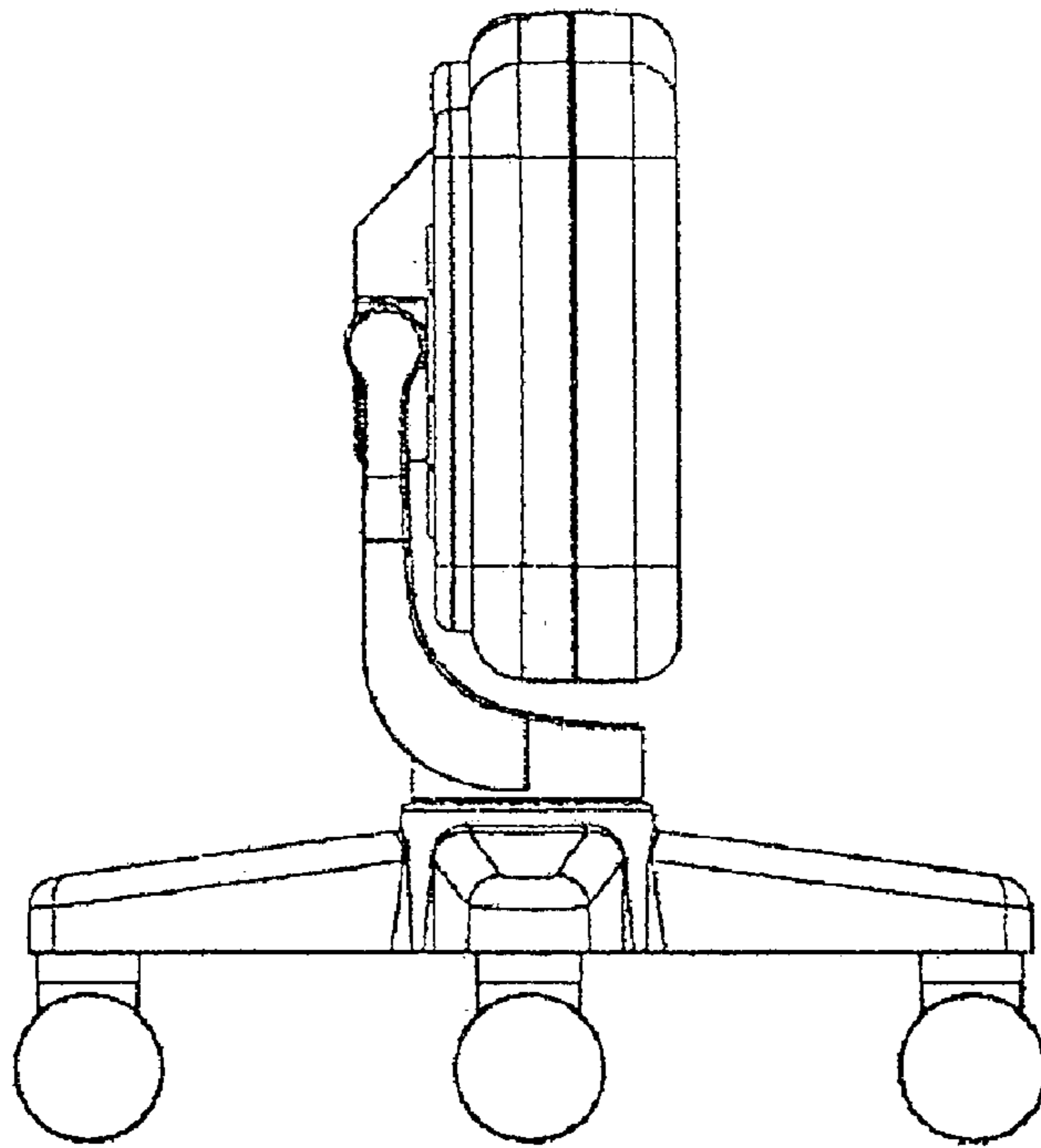


FIG. 3

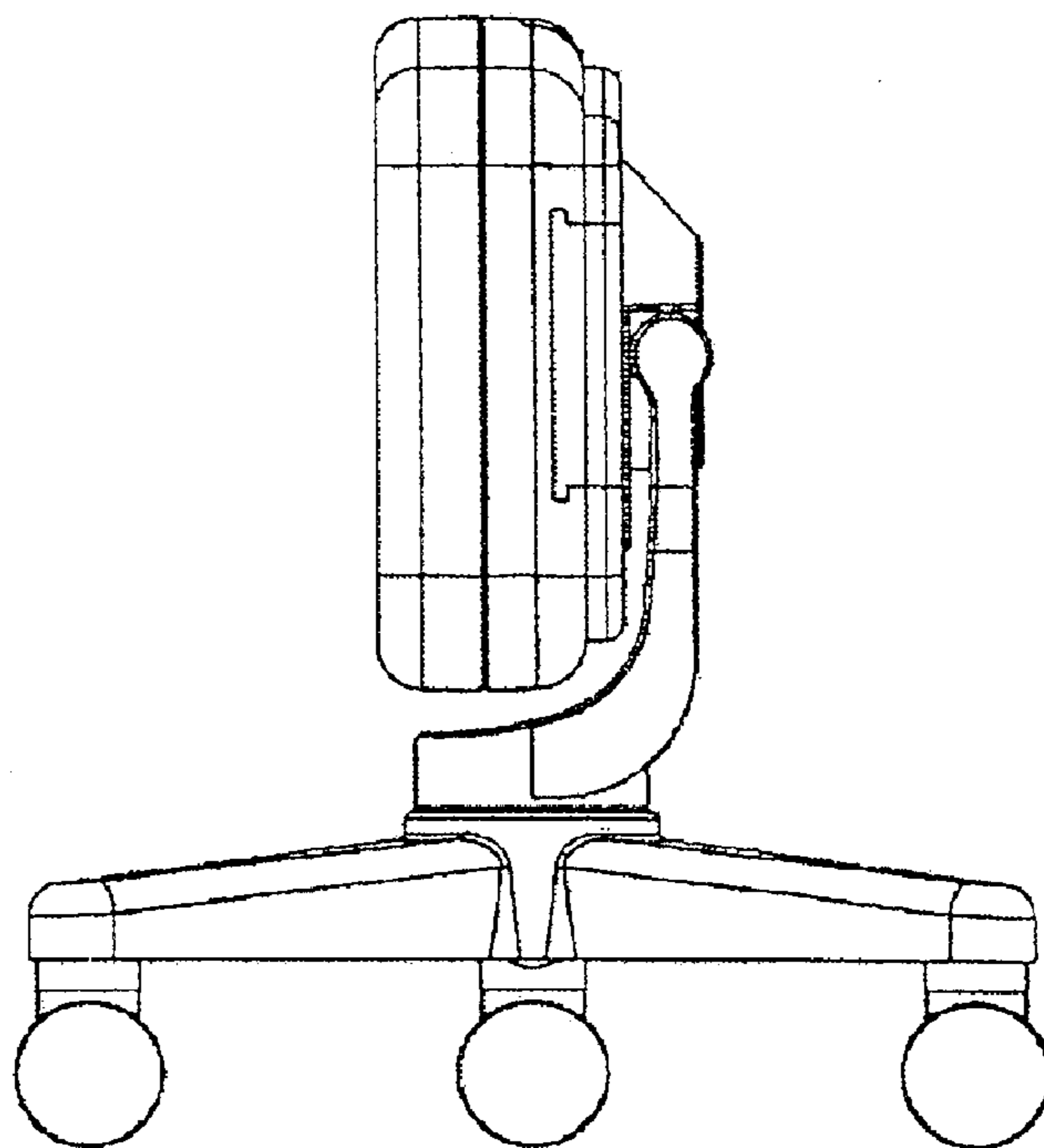


FIG. 4

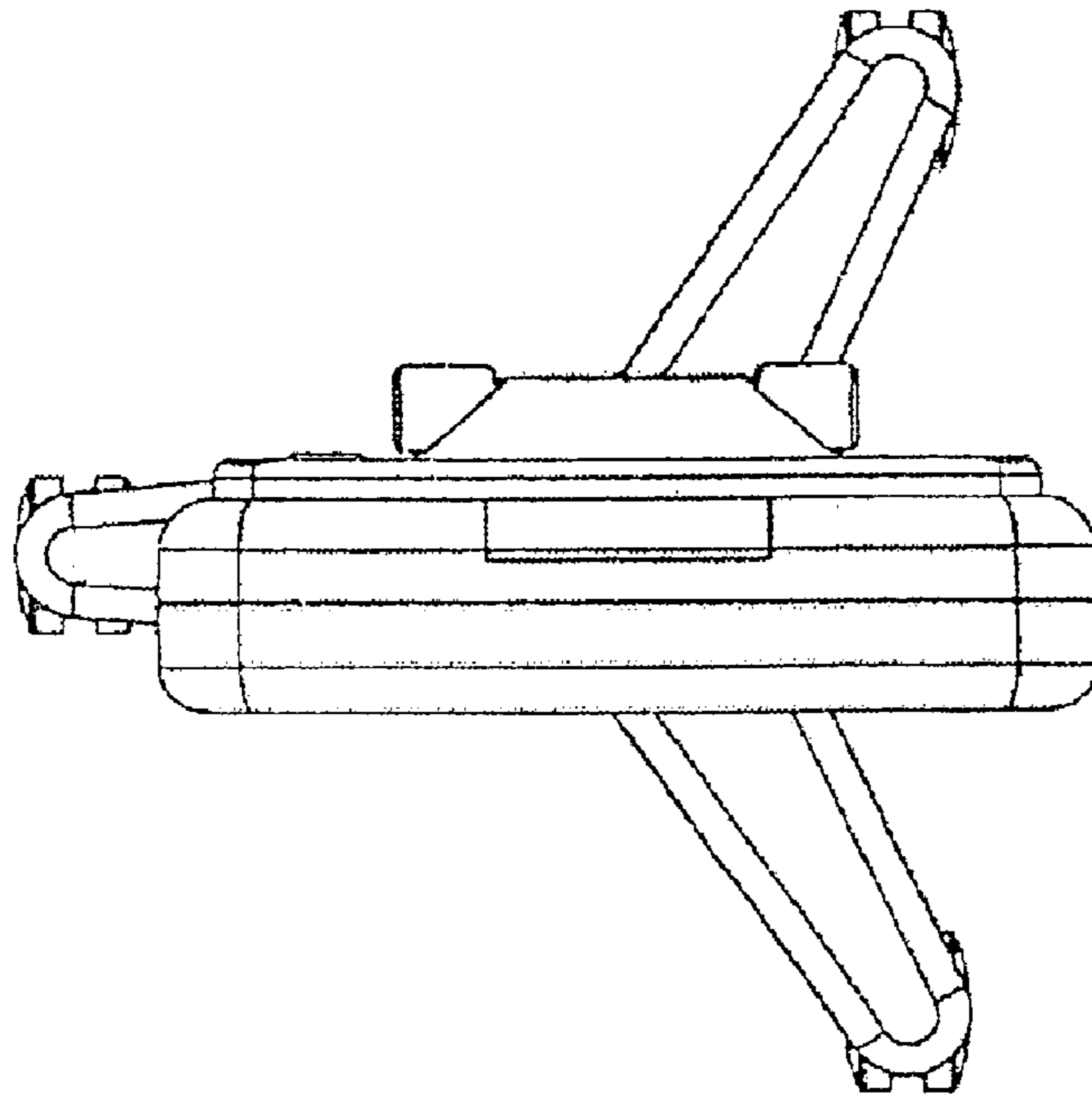


FIG. 5

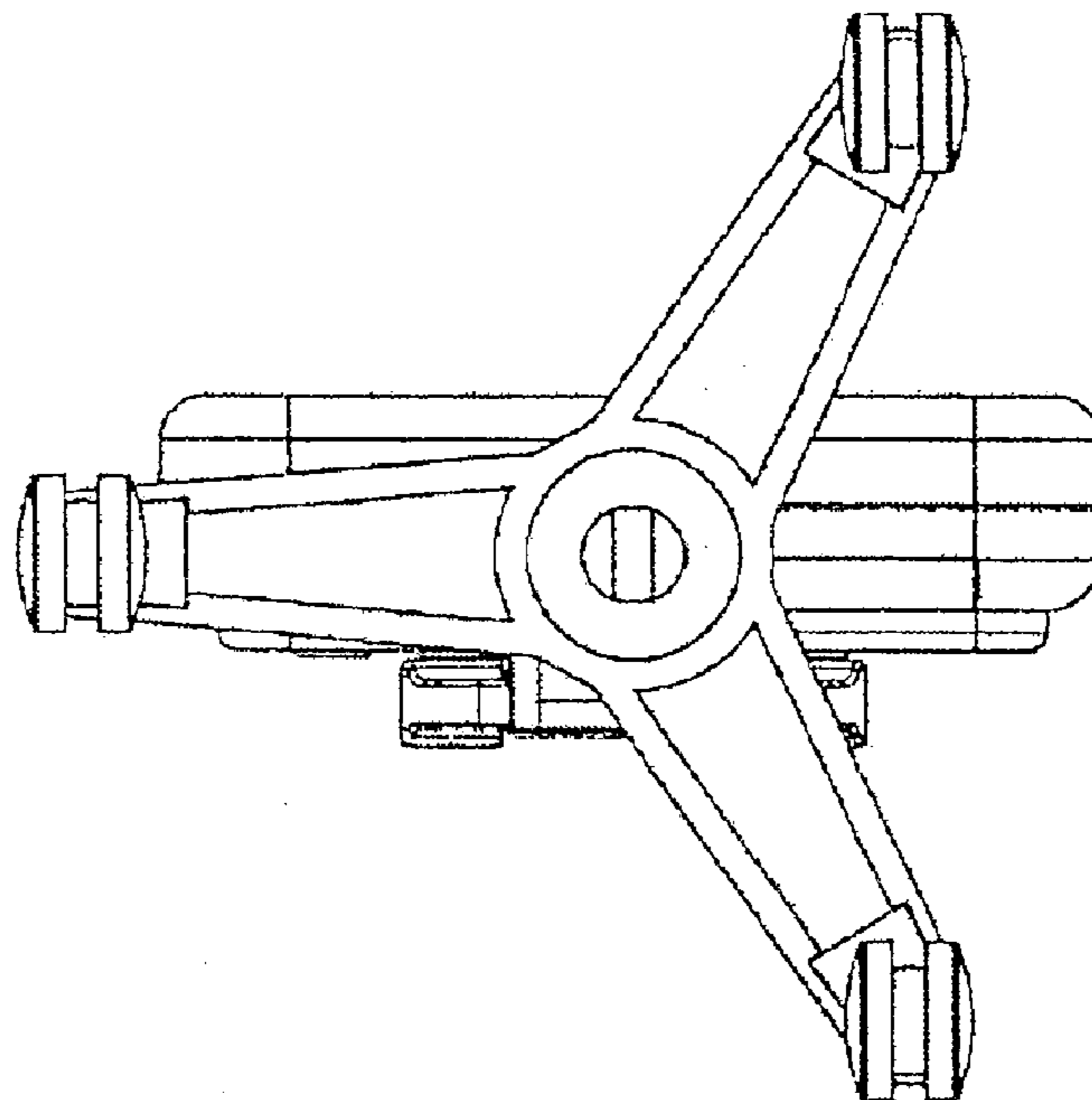


FIG. 6