

US00D503113S

(12) **United States Design Patent**  
**Gillispie**

(10) **Patent No.:** **US D503,113 S**  
(45) **Date of Patent:** **\*\* Mar. 22, 2005**

- (54) **HANDLE FOR FUEL CAN**
- (75) **Inventor:** **John G. Gillispie**, Glen Dale, WV (US)
- (73) **Assignee:** **Eagle Manufacturing Company**,  
Wellsburg, WV (US)
- (\*\*) **Term:** **14 Years**
- (21) **Appl. No.:** **29/159,378**
- (22) **Filed:** **Apr. 19, 2002**
- (51) **LOC (7) Cl.** ..... **09-07**
- (52) **U.S. Cl.** ..... **D9/531**
- (58) **Field of Search** ..... D9/517, 523, 527,  
D9/528, 549, 434, 455, 499; 206/527, 822;  
215/40, 386, 390, 400; 220/694, 735, 737,  
752, 755, 766, 767, 890, DIG. 12, DIG. 14;  
222/191, 465.1

(56) **References Cited**

**U.S. PATENT DOCUMENTS**

D269,253 S	*	6/1983	Gagnon	.....	D9/434
D294,559 S	*	3/1988	Schwalbach	.....	D9/434
D417,393 S	*	12/1999	DiMeo et al.	.....	D9/434
D448,665 S	*	10/2001	Lenczowski	.....	D9/434
D455,348 S	*	4/2002	Fludd	.....	D9/455
D463,279 S	*	9/2002	Piazza	.....	D9/434
D469,015 S	*	1/2003	Le Roux	.....	D9/455

**OTHER PUBLICATIONS**

Eagle Manufacturing Company Catalogue entitled "Compliance Solutions" dated Jan. 2002.

\* cited by examiner

*Primary Examiner*—Philip S. Hyder  
*Assistant Examiner*—Daniel Bui  
(74) *Attorney, Agent, or Firm*—Armstrong, Kratz, Quintos,  
Hanson & Brooks, LLP

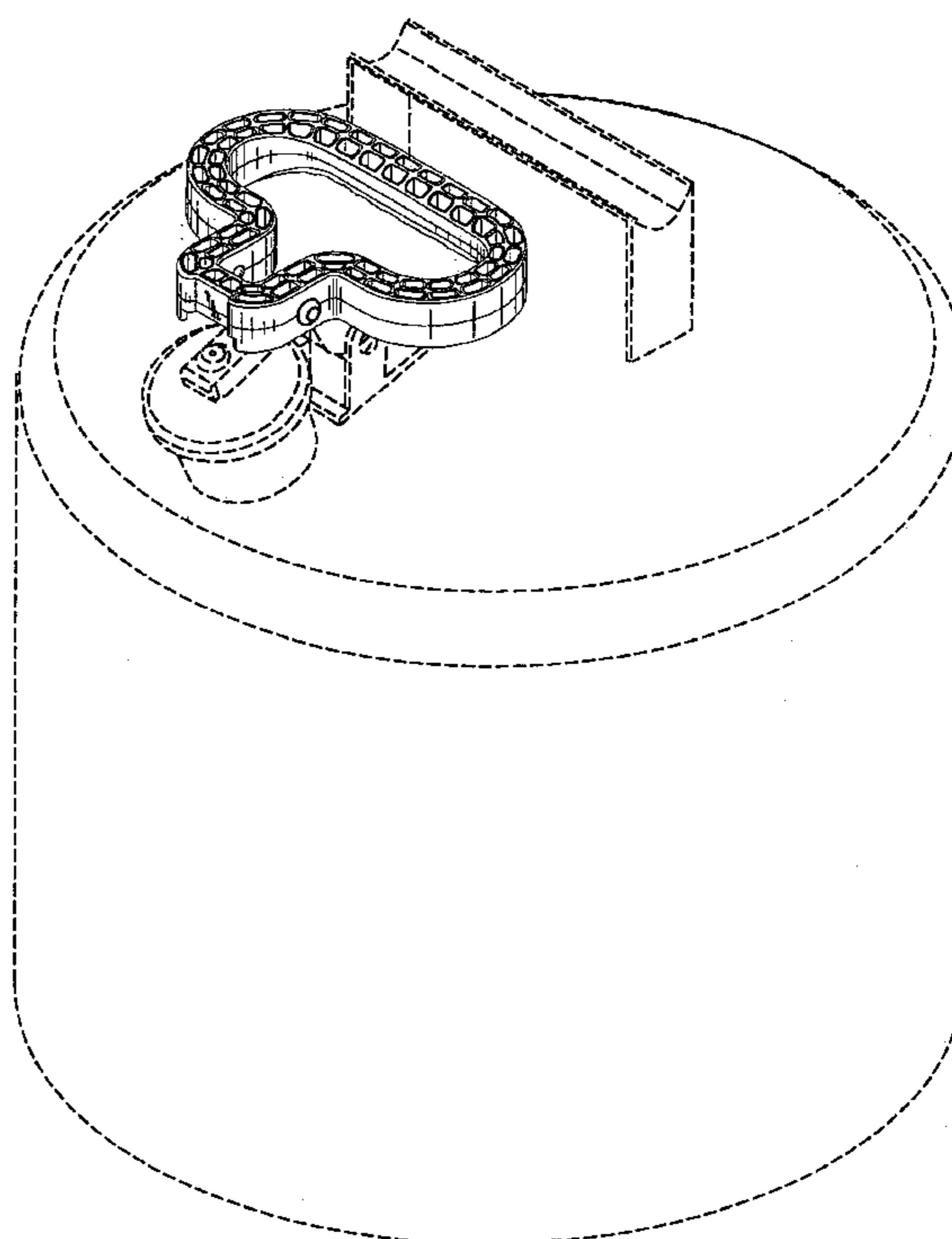
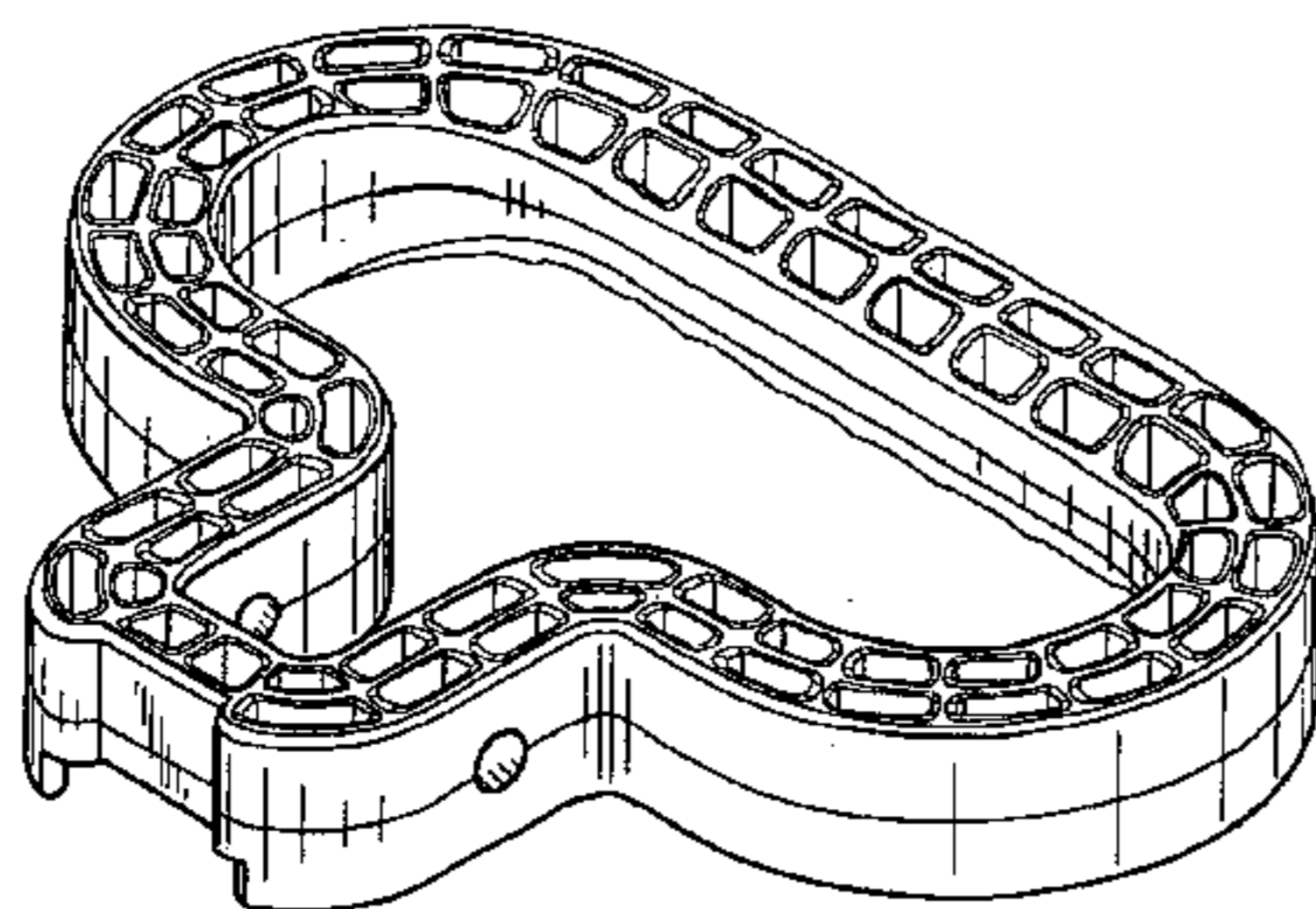
(57) **CLAIM**

The ornamental design for a handle for fuel can, as shown and described.

**DESCRIPTION**

FIG. 1 is a top plan view of the handle for fuel can;  
 FIG. 2 is a bottom plan view thereof;  
 FIG. 3 is a side elevational view thereof in an enlarged scale, the opposite side being a mirror image;  
 FIG. 4 is a front view thereof in an enlarged scale;  
 FIG. 5 is a back view thereof in an enlarged scale;  
 FIG. 6 is a top isometric view thereof;  
 FIG. 7 is a right top isometric view thereof;  
 FIG. 8 is a bottom isometric view thereof;  
 FIG. 9 is a right bottom isometric view thereof; and,  
 FIG. 10 is a top isometric view of the handle for fuel can in a reduced scale. The broken line showing of the environment is for illustrative purposes only and forms no part of the claimed design.

**1 Claim, 5 Drawing Sheets**



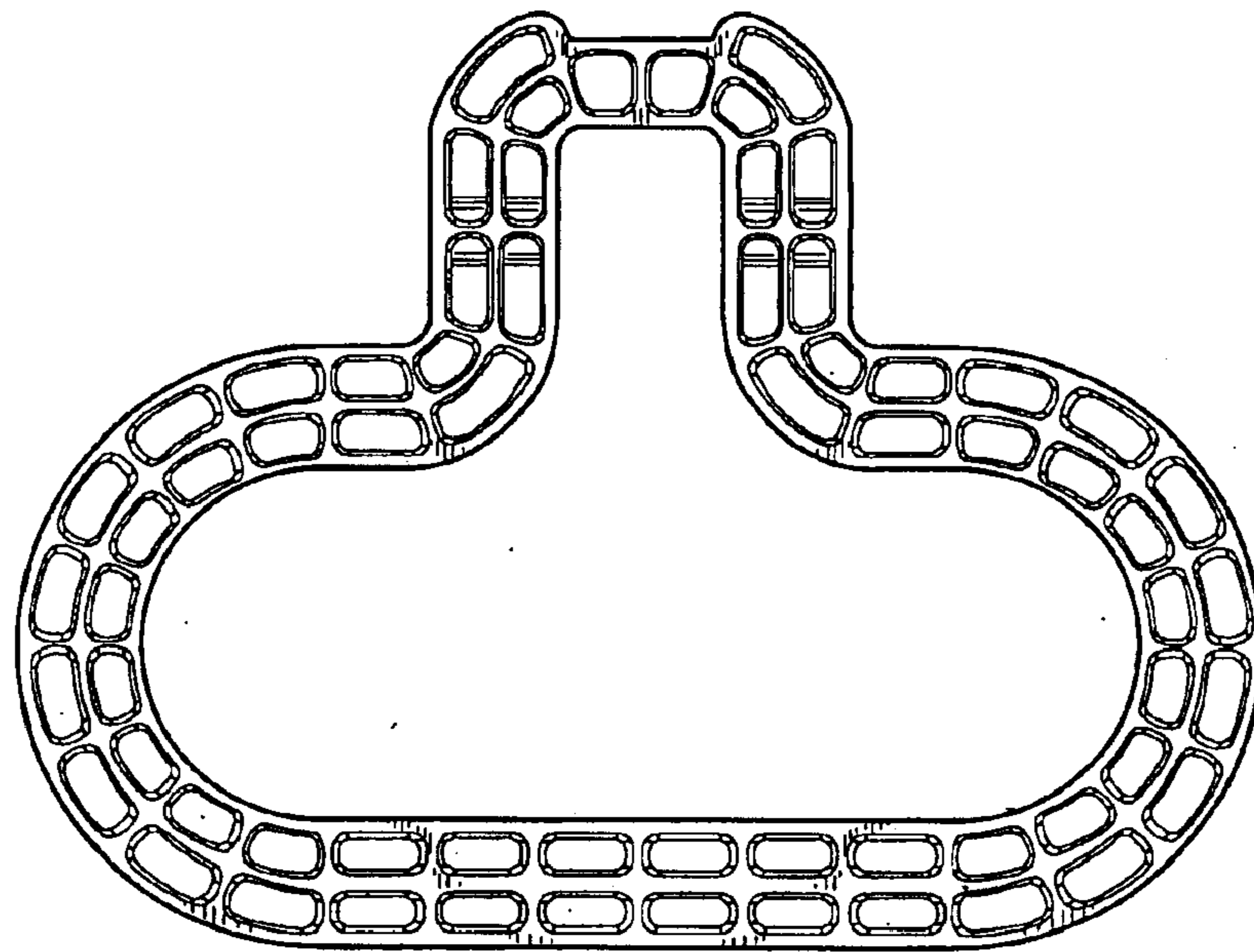


FIG. 1

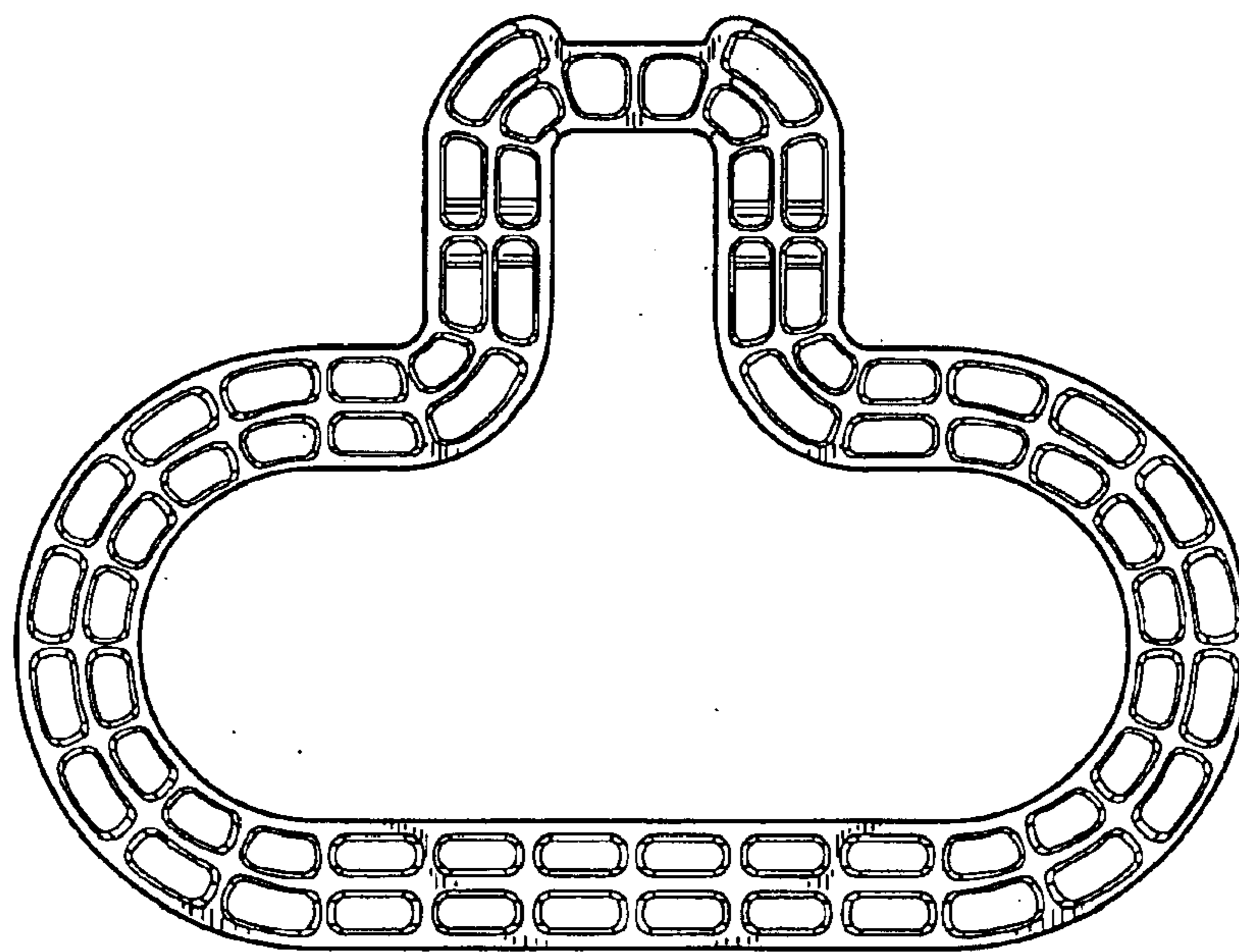


FIG. 2

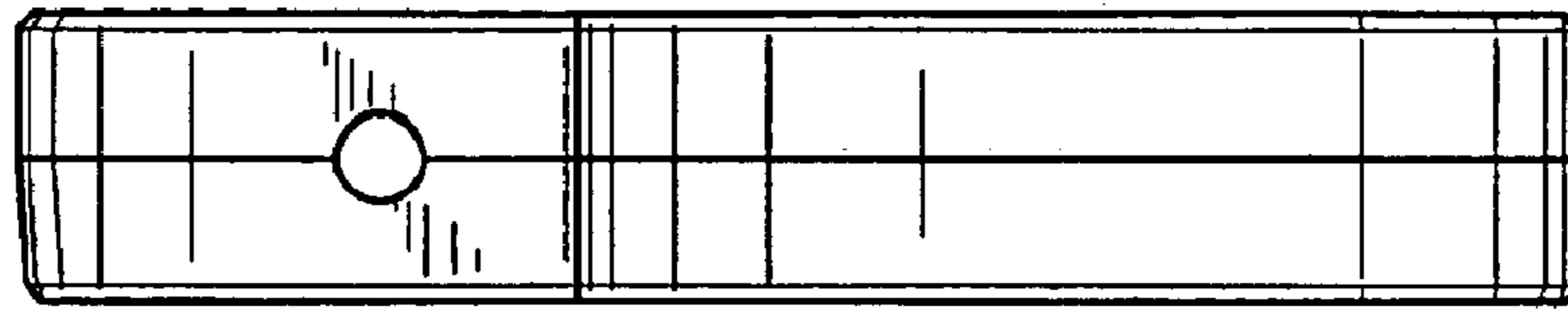


FIG. 3



FIG. 4

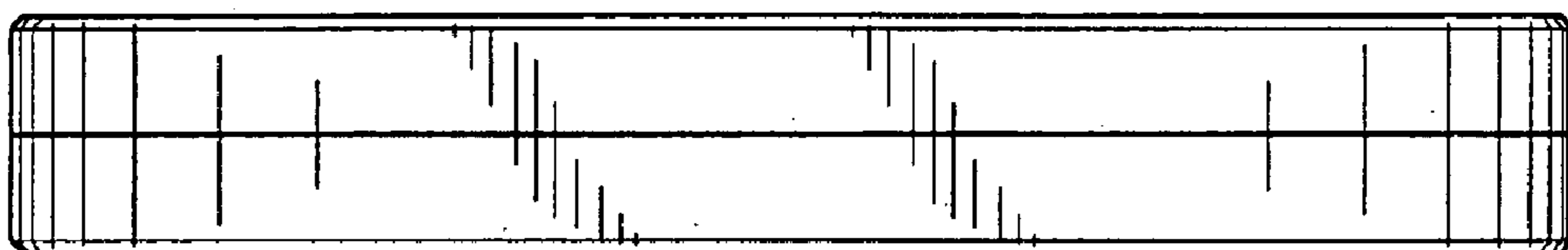


FIG. 5

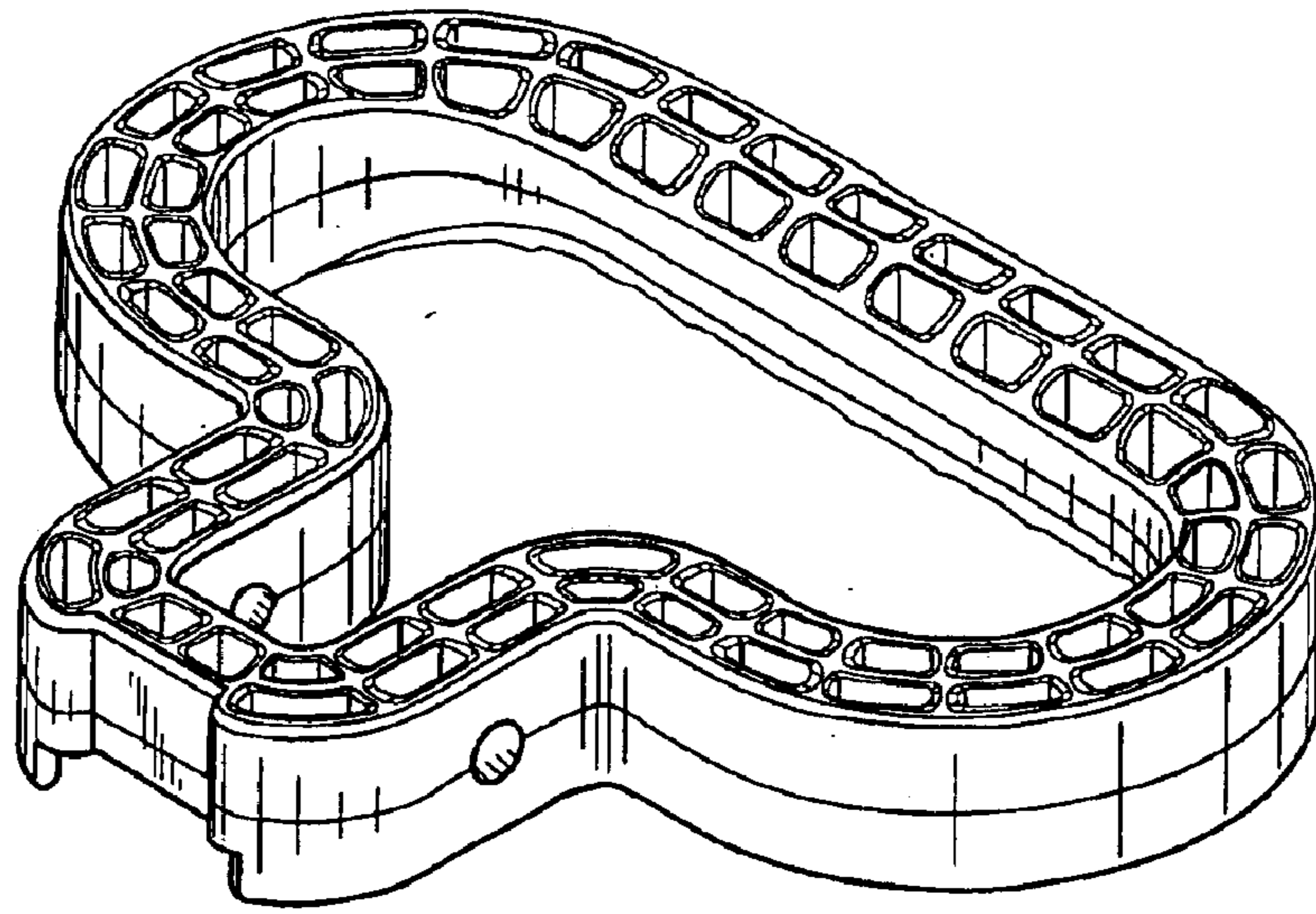


FIG. 6

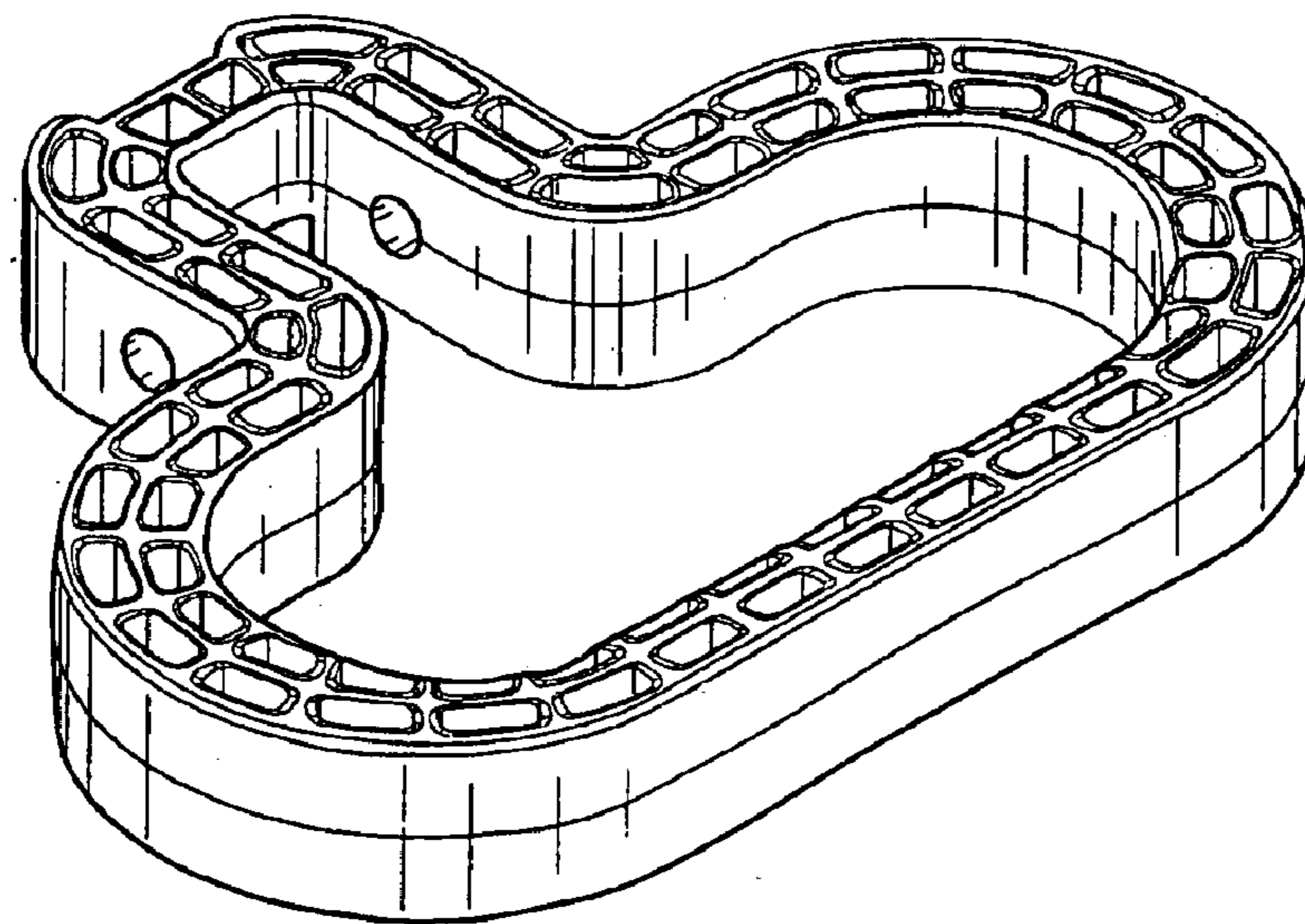


FIG. 7

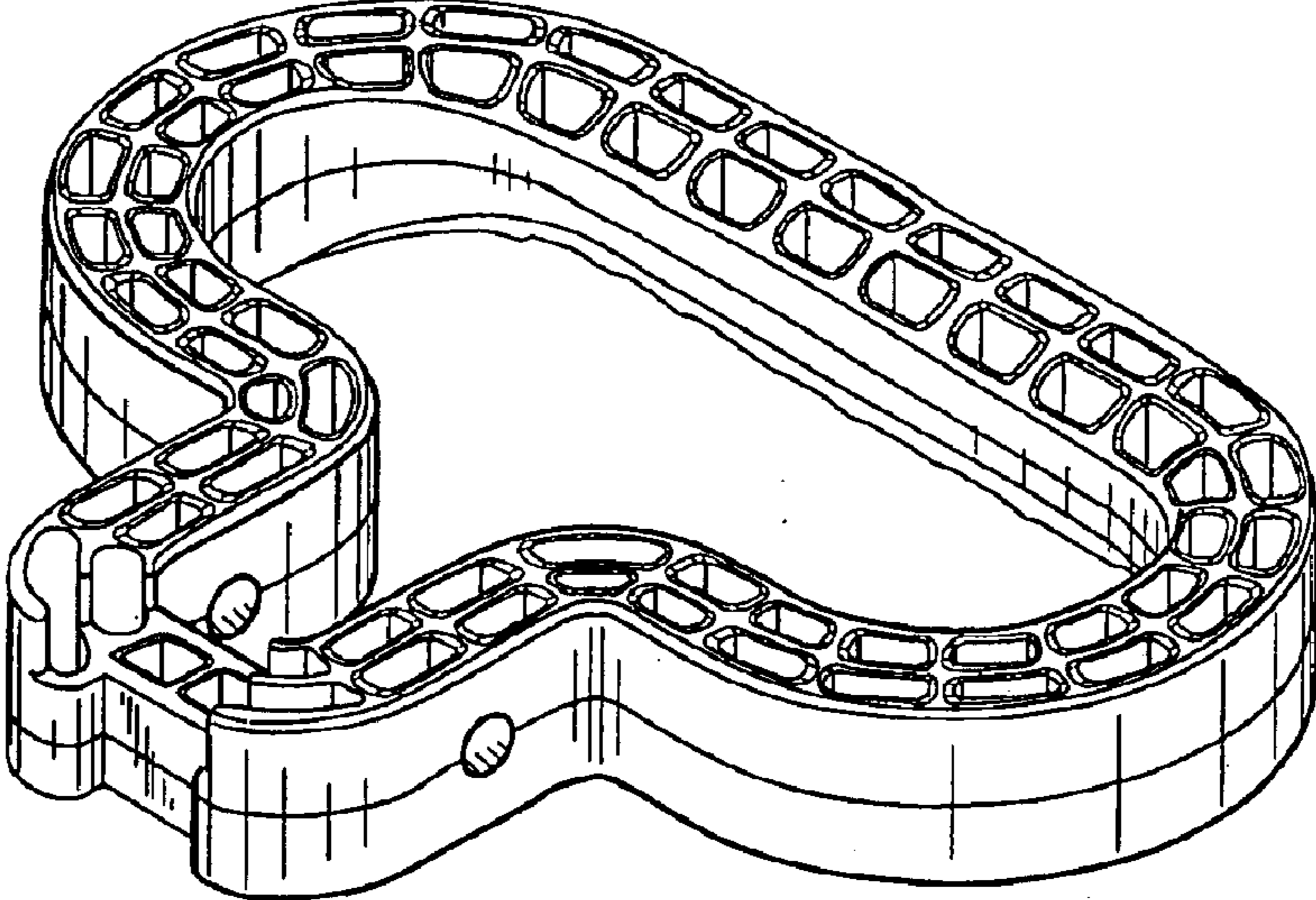


FIG. 8

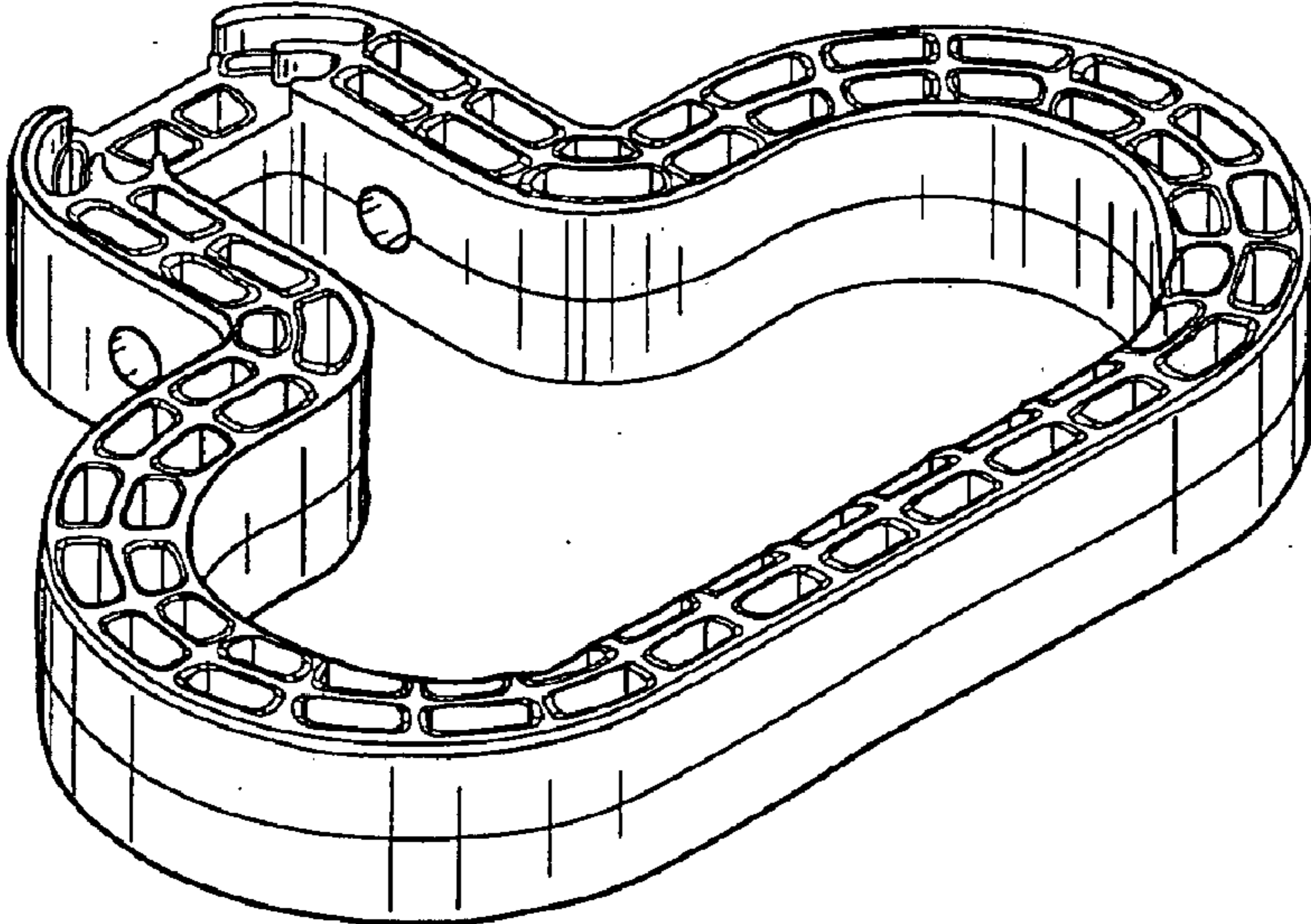


FIG. 9

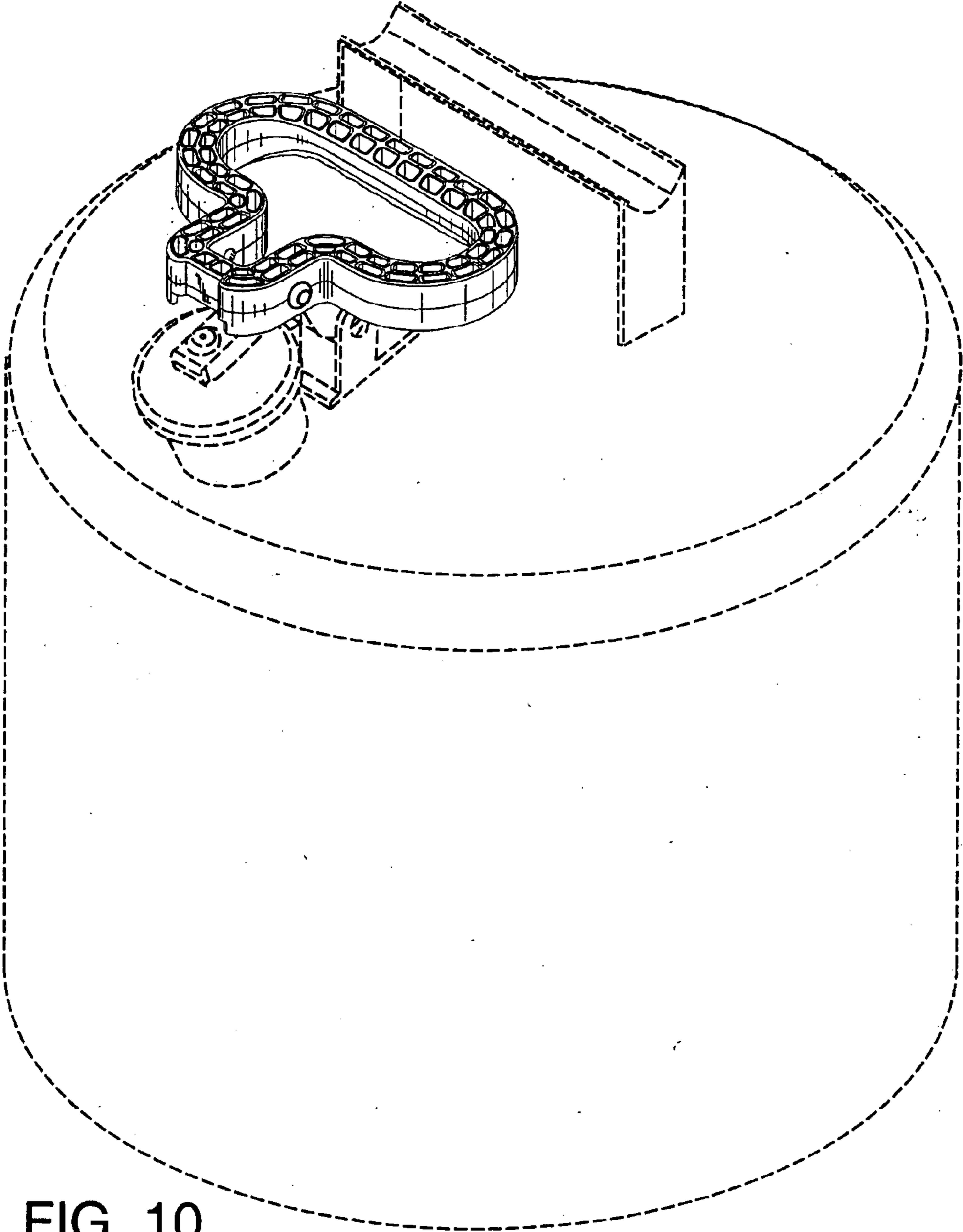


FIG. 10