

US00D503108S

(12) **United States Design Patent**  
**Burr et al.**

(10) **Patent No.: US D503,108 S**  
(45) **Date of Patent: \*\* Mar. 22, 2005**

- (54) **HANDLE**
- (75) Inventors: **Brian M. Burr**, Oceanside, CA (US);  
**Carl Wesley Truly**, Oceanside, CA (US)
- (73) Assignee: **Grabb-It Inc.**, Oceanside, CA (US)
- (\*\*) Term: **14 Years**
- (21) Appl. No.: **29/193,024**
- (22) Filed: **Oct. 30, 2003**
- (51) **LOC (7) Cl.** ..... **09-07**
- (52) **U.S. Cl.** ..... **D9/455; D9/434**
- (58) **Field of Search** ..... D9/456, 457, 455,  
D9/435, 434, 433; D8/14, 300, 315; 294/170,  
171

- EP 0 085 524 A1 8/1983
- GB 2 147 800 A 5/1985
- GB 2 241 432 A 9/1991
- GB 2 246 285 A 1/1992
- GB 2 255 497 A 11/1992

**OTHER PUBLICATIONS**

Lundstrum, Meg, Raising the Roof with Floor Ads, Business Week, Sep. 16, 1999, The McGraw.

*Primary Examiner*—Louis S. Zarfaz  
*Assistant Examiner*—Gregory Andoll

(74) *Attorney, Agent, or Firm*—Kilpatrick Stockton LLP

(57) **CLAIM**

The ornamental design for a handle, as shown and described.

**DESCRIPTION**

FIG. 1 shows a top view of a handle according to a first embodiment of the present invention, shown in an unfolded condition, the bottom view being the same.

FIG. 2 shows a front edge view of the handle of FIG. 1, shown in an unfolded condition.

FIG. 3 shows a rear edge view of the handle of FIG. 1, shown in an unfolded condition.

FIG. 4 shows a right edge view of the handle of FIG. 1, shown in an unfolded condition, the left edge view being the same.

FIG. 5 shows a perspective view of the handle of FIG. 1, shown in a folded condition.

FIG. 6 shows a top view of a handle according to a second embodiment of the present invention, shown in an unfolded condition, the bottom view being the same.

FIG. 7 shows a front edge view of the handle of FIG. 6, shown in an unfolded condition, the rear edge view being the same.

FIG. 8 shows a right edge view of the handle of FIG. 6, shown in an unfolded condition, the left edge view being the same; and,

FIG. 9 shows a perspective view of the handle of FIG. 6, shown in a folded condition.

(56) **References Cited**

**U.S. PATENT DOCUMENTS**

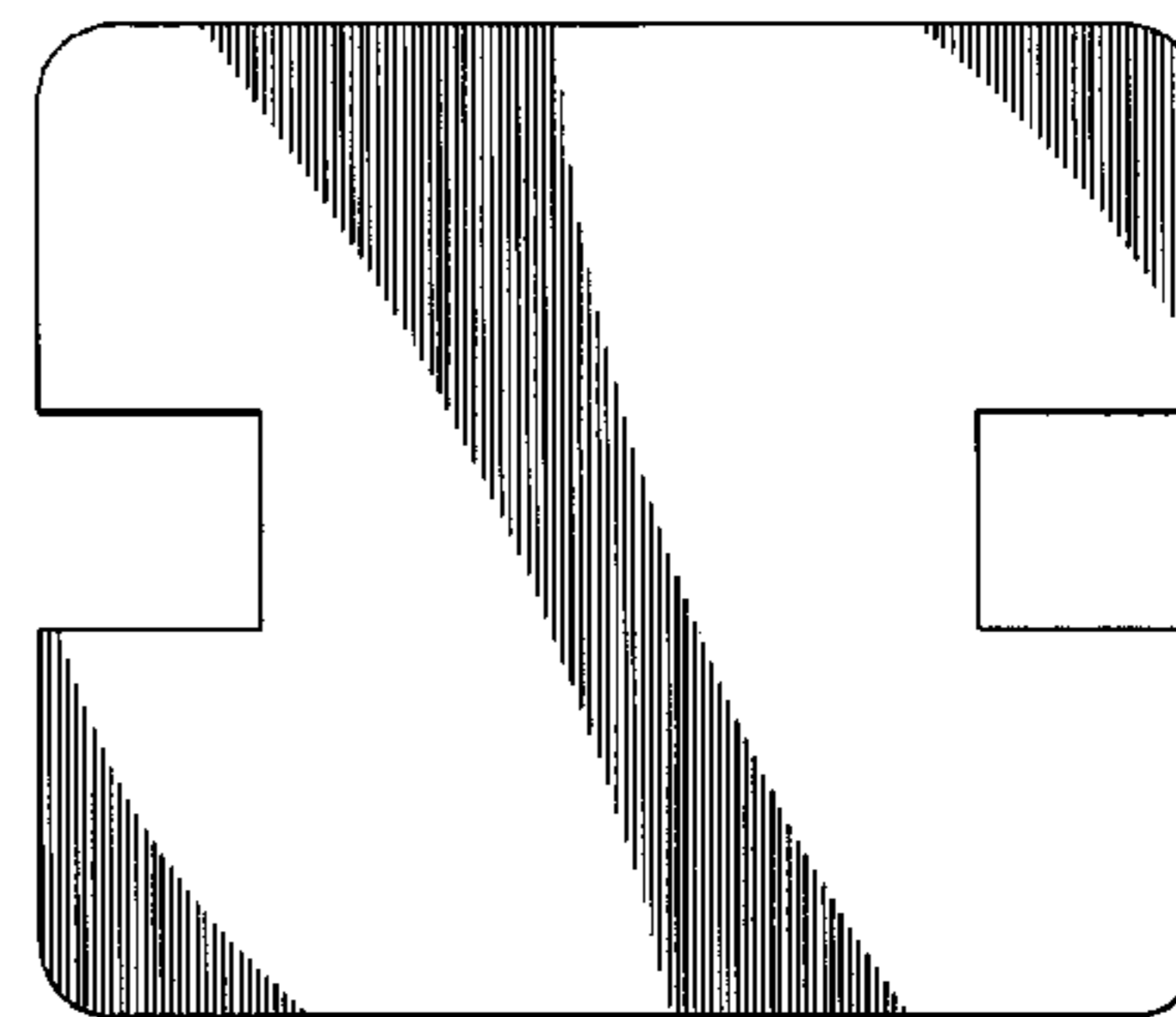
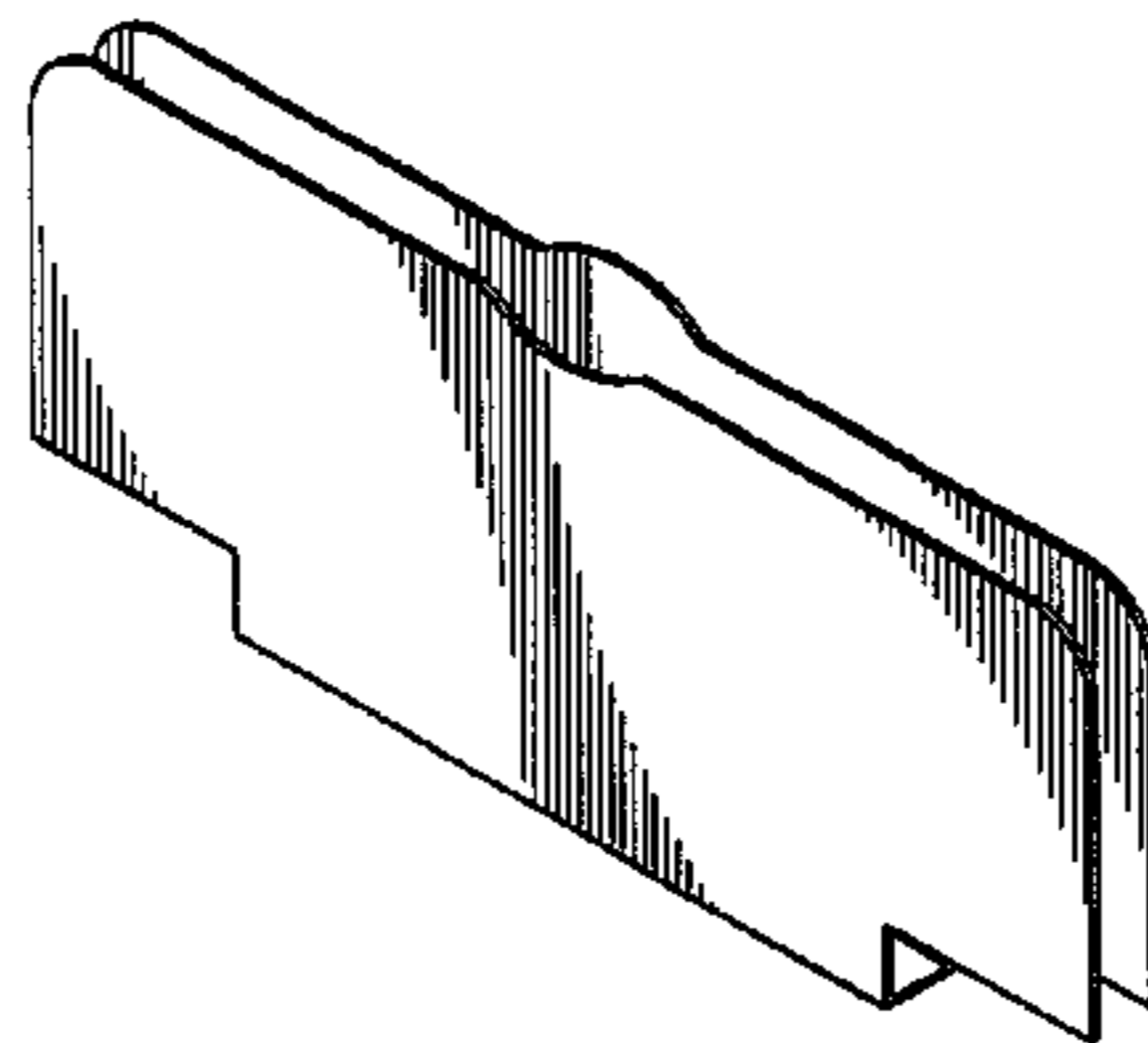
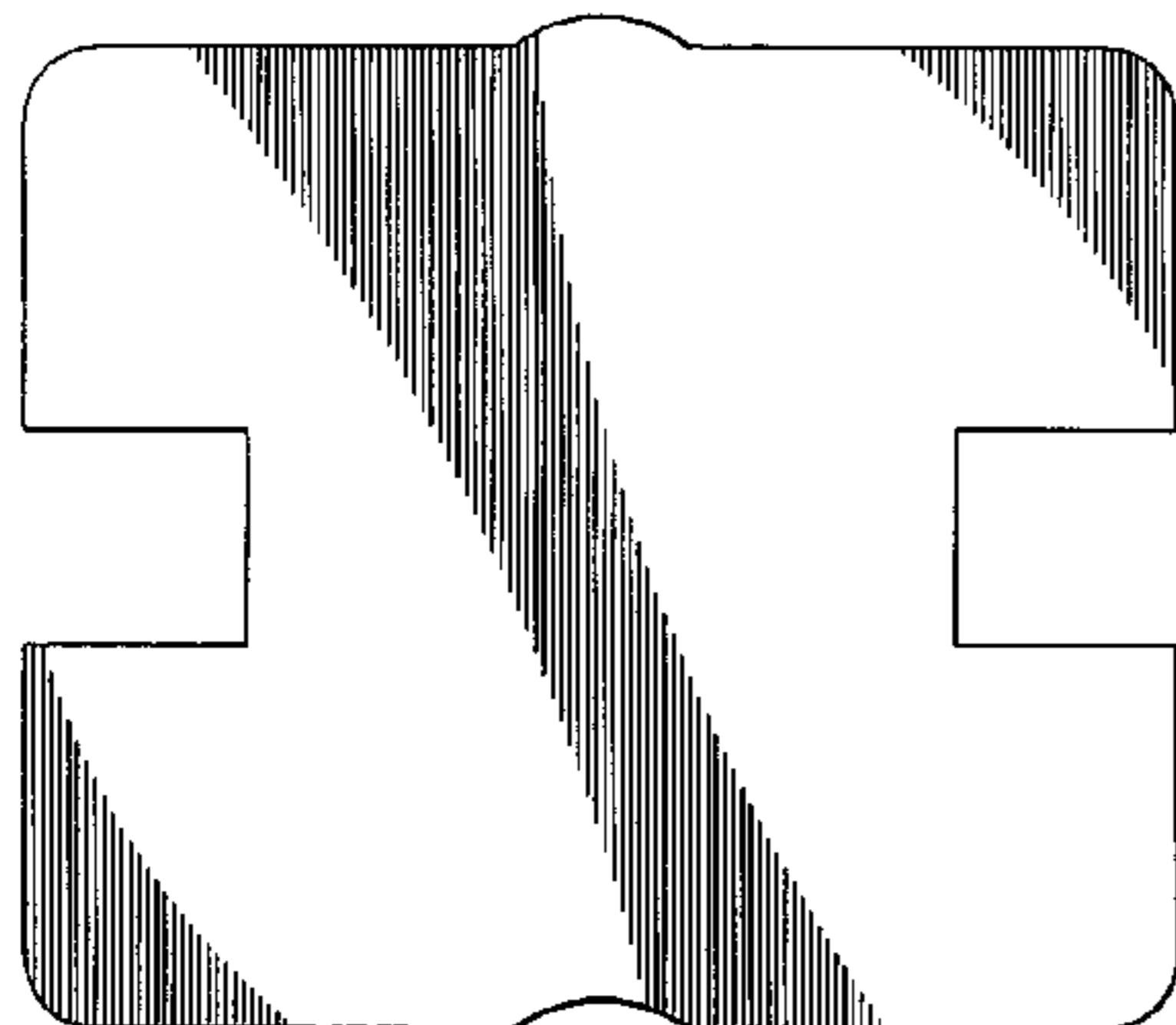
1,691,467 A	11/1928	Carver	
2,215,116 A	9/1940	Crary	
D127,003 S	5/1941	Gibo	
2,274,605 A	2/1942	Hoffmeister	
2,501,037 A	3/1950	Fox	
2,796,210 A	6/1957	Phillips	
3,283,889 A	11/1966	Hetrick et al.	
3,314,592 A	4/1967	Streich	
3,446,416 A	5/1969	Epstein	
D216,637 S	2/1970	Hermalin	
3,610,510 A	10/1971	Hermalin	
D227,660 S	7/1973	Konno	
D231,514 S *	4/1974	Elford	..... D9/433
3,804,323 A	4/1974	Bemel	

(List continued on next page.)

**FOREIGN PATENT DOCUMENTS**

AT	196775	3/1958
CA	2051019	3/1993
DE	3528037 A1	2/1987
DE	3918355 A1	12/1990
EP	0 085 524 A1	5/1983

**1 Claim, 3 Drawing Sheets**



# US D503,108 S

Page 2

## U.S. PATENT DOCUMENTS

D239,919 S	5/1976	Wilson	
4,262,385 A	4/1981	Norman	
4,417,609 A	11/1983	Sherwood	
D286,268 S	10/1986	Wolff	
4,617,215 A	10/1986	Telesco	
D299,433 S	* 1/1989	Gustafsson	..... D9/433
4,796,940 A	1/1989	Rimland	
D307,712 S	5/1990	Ralls et al.	
4,920,675 A	5/1990	Mashimo	
4,932,702 A	6/1990	Sweeny	
4,938,515 A	7/1990	Fazio	
4,982,989 A	1/1991	Sweeny	
5,005,891 A	4/1991	Lunsford	
D317,246 S	6/1991	Driscoll	
D325,156 S	4/1992	Sweeny	
5,257,845 A	11/1993	McConnell	
5,368,393 A	11/1994	Normann	
5,395,298 A	3/1995	Moesmann	
5,425,497 A	6/1995	Sorensen	
D361,935 S	* 9/1995	Johnson	..... D9/434
D363,876 S	11/1995	Morissette	
5,487,582 A	1/1996	Bourgeois et al.	
5,599,052 A	2/1997	Van Davelaar	
D380,382 S	7/1997	Rhone et al.	
5,658,029 A	8/1997	Franko	
D386,408 S	* 11/1997	Wasielewski et al.	..... D9/434
D395,602 S	6/1998	Sakko	
5,775,757 A	7/1998	Tipp	
5,803,522 A	* 9/1998	Lisbon	..... 294/171
5,865,494 A	* 2/1999	Tipp	..... 294/171
5,881,432 A	3/1999	Good	
D408,259 S	4/1999	Hagen	
D410,385 S	* 6/1999	Bjornholt	..... D9/433
5,992,803 A	11/1999	LeRoux	
5,996,180 A	12/1999	Eisenzopf	
D438,797 S	3/2001	Bozlee	
D442,085 S	5/2001	Bozlee	
D451,389 S	12/2001	Bozlee	
D451,390 S	12/2001	Bozlee	
D451,391 S	12/2001	Bozlee	
6,354,645 B2	3/2002	Bozlee	
6,481,771 B1	11/2002	Friedman	
D480,645 S	10/2003	Putnam	
D493,108 S	* 7/2004	Burr et al.	..... D9/433
D496,587 S	* 9/2004	Burr et al.	..... D9/434

\* cited by examiner

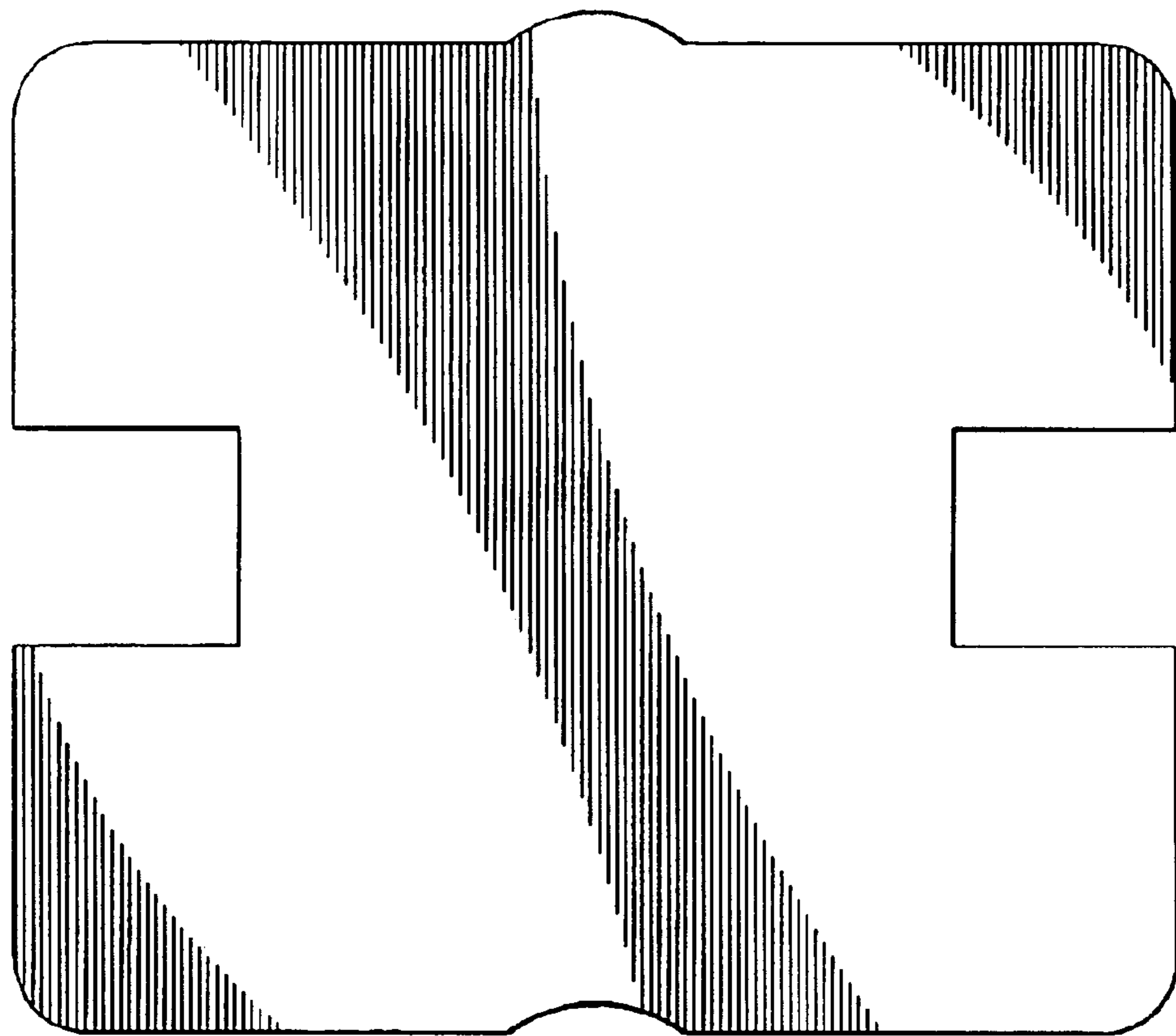


FIG. 1



FIG. 2



FIG. 3



FIG. 4

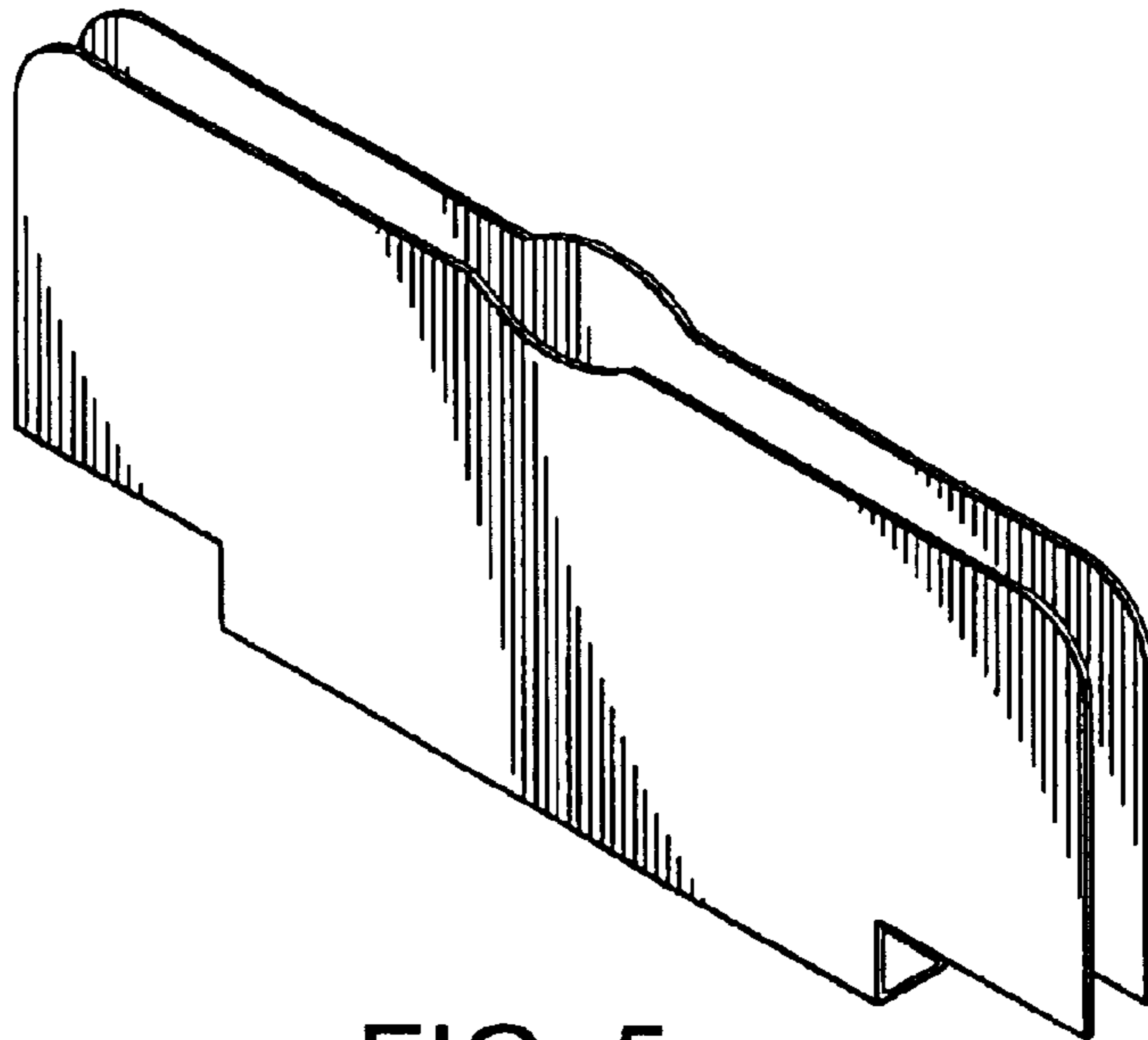


FIG. 5



FIG. 8

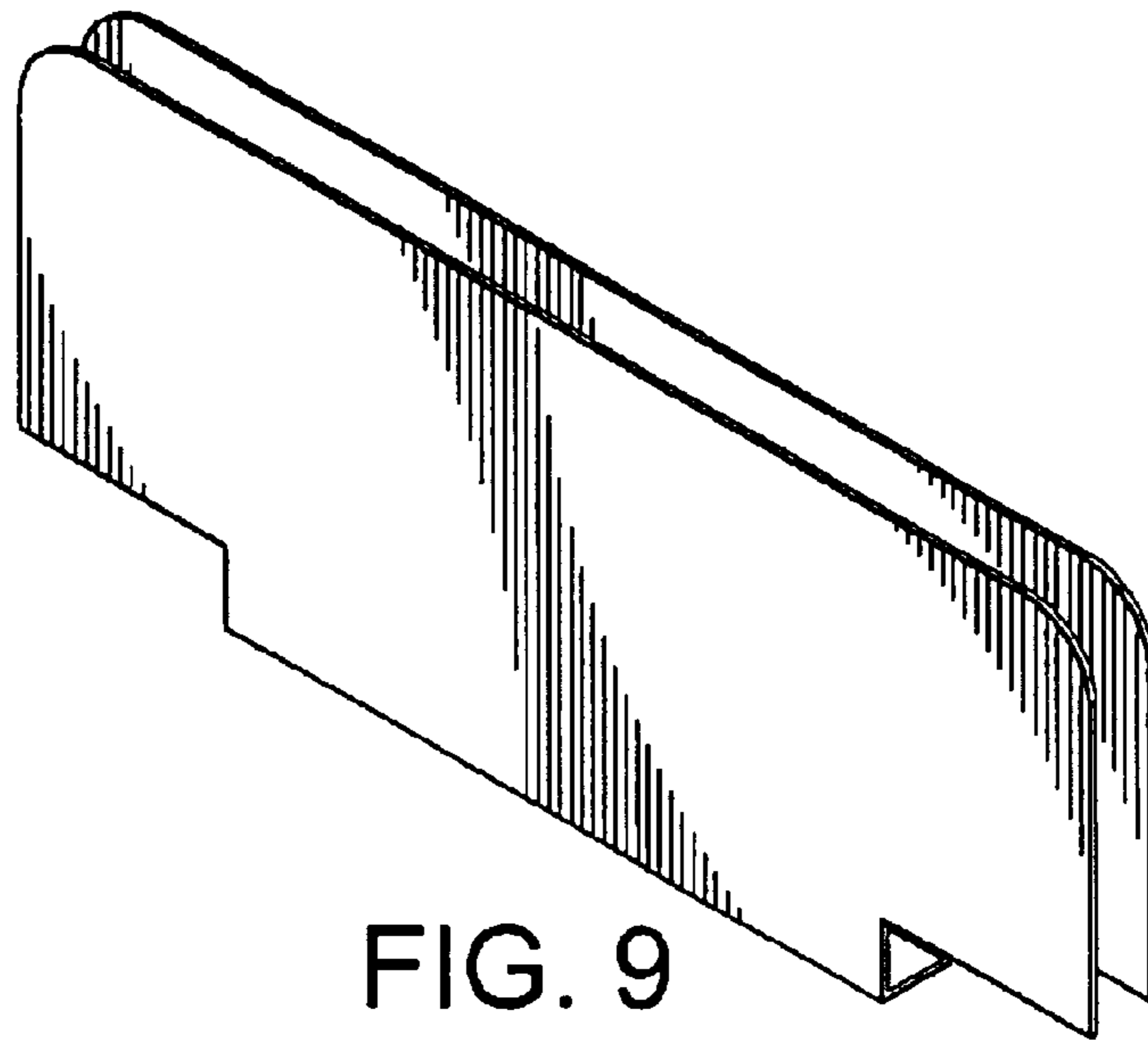


FIG. 9

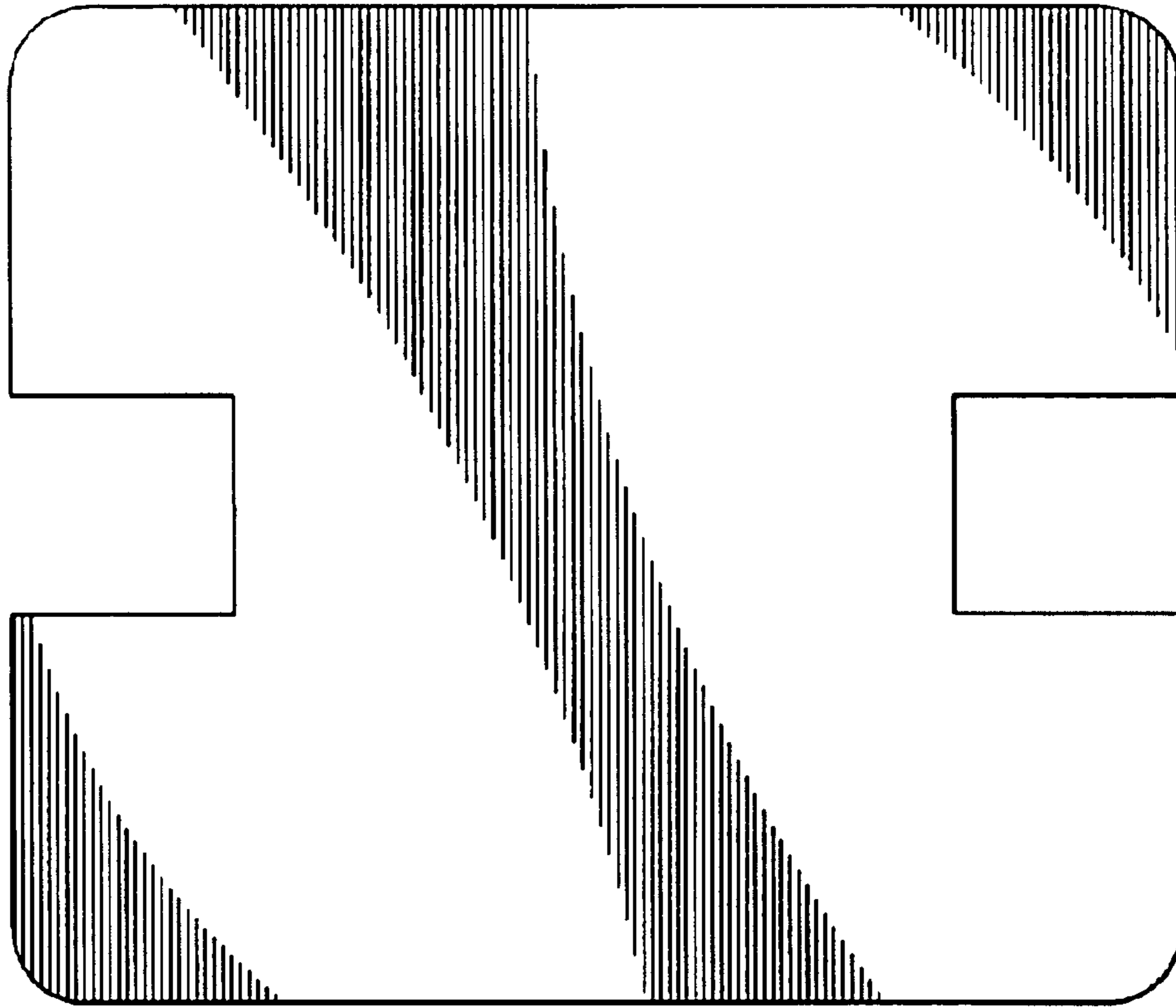


FIG. 6



FIG. 7