

US00D503099S

(12) **United States Design Patent**
Burr et al.

(10) **Patent No.:** **US D503,099 S**
(45) **Date of Patent:** **** Mar. 22, 2005**

- (54) **HANDLE**
- (75) Inventors: **Brian M. Burr**, Oceanside, CA (US);
Carl Wesley Truly, Oceanside, CA (US)
- (73) Assignee: **Grabb-It Inc.**, Oceanside, CA (US)
- (**) Term: **14 Years**
- (21) Appl. No.: **29/192,977**
- (22) Filed: **Oct. 30, 2003**
- (51) **LOC (7) Cl.** **09-07**
- (52) **U.S. Cl.** **D9/455; 09/434**
- (58) **Field of Search** D9/456, 457, 455,
D9/435, 434, 433; D8/14, 300, 315; 294/170,
171

- GB 2 241 432 A 9/1991
- GB 2 246 285 A 1/1992
- GB 2 255 497 A 11/1992

OTHER PUBLICATIONS

European Search Report for EP 0 085 524 A1, Podes, filed May 9, 1983.
Lundstrum, Meg, Raising the Roof with Floor Ads, Business Week, Sep. 16, 1999, The McGraw.

Primary Examiner—Louis S. Zarfes
Assistant Examiner—Gregory Andoll

(74) *Attorney, Agent, or Firm*—Kilpatrick Stockton LLP

(57) **CLAIM**

The ornamental design for a handle, as shown and described.

DESCRIPTION

FIG. 1 shows a top view of a handle according to a first embodiment of the present invention, shown in an unfolded condition, the bottom view being the same.

FIG. 2 shows a front edge view of the handle of FIG. 1, shown in an unfolded condition.

FIG. 3 shows a rear edge view of the handle of FIG. 1, shown in an unfolded condition.

FIG. 4 shows a right edge view of the handle of FIG. 1, shown in an unfolded condition, the left edge view being the same.

FIG. 5 shows a perspective view of the handle of FIG. 1, shown in a folded condition.

FIG. 6 shows a top view of a handle according to a second embodiment of the present invention, shown in an unfolded condition, the bottom view being the same.

FIG. 7 shows a front edge view of the handle of FIG. 6, shown in an unfolded condition, the rear edge view being the same.

FIG. 8 shows a right edge view of the handle of FIG. 6, shown in an unfolded condition, the left edge view being the same; and,

FIG. 9 shows a perspective view of the handle of FIG. 6, shown in a folded condition.

(56) **References Cited**
U.S. PATENT DOCUMENTS

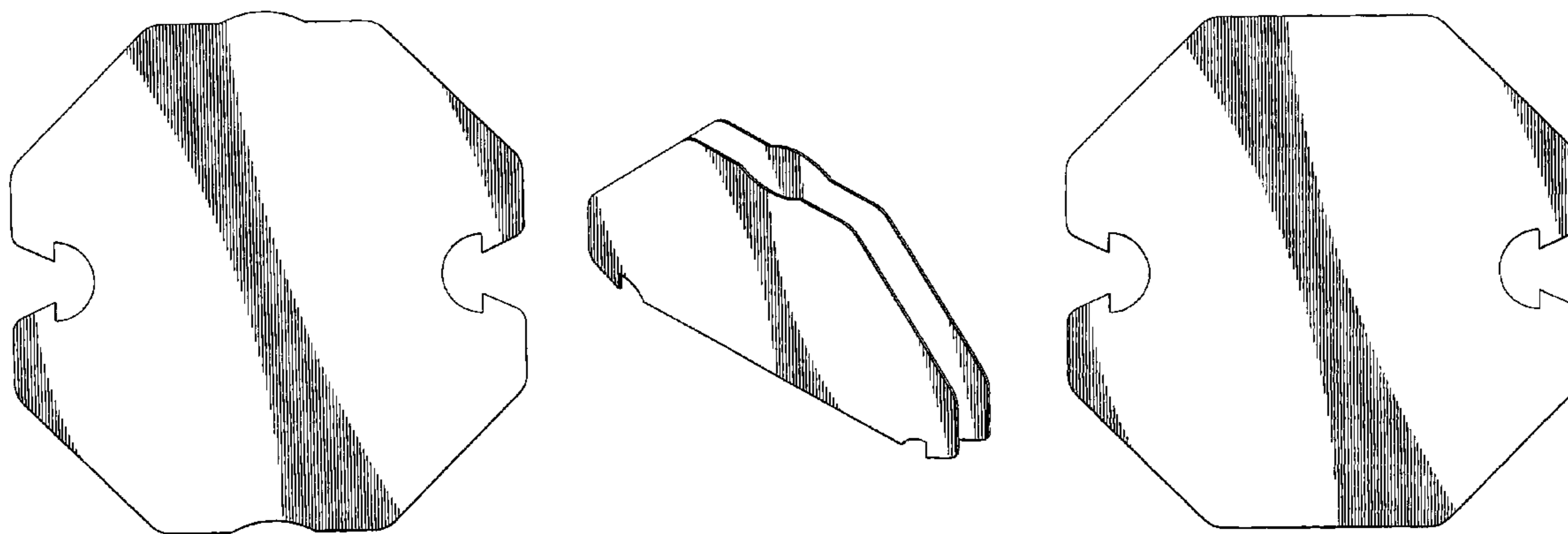
1,691,467 A	11/1928	Carver
2,215,116 A	9/1940	Crary
D127,003 S	5/1941	Gibo
2,274,605 A	2/1942	Hoffmeister
2,501,037 A	3/1950	Fox
2,796,210 A	6/1957	Phillips
3,283,889 A	11/1966	Hetrick et al.
3,314,592 A	4/1967	Streich
3,446,416 A	5/1969	Epstein
D216,637 S	2/1970	Hermalin
3,610,510 A	10/1971	Hermalin
D227,660 S	7/1973	Konno
3,804,323 A	4/1974	Bemel

(List continued on next page.)

FOREIGN PATENT DOCUMENTS

AT	196775	3/1958
CA	2051019	3/1993
DE	3528037 A1	2/1987
DE	3918355 A1	12/1990
EP	0 085 524 A1	8/1983
GB	2 147 800 A	5/1985

1 Claim, 3 Drawing Sheets



US D503,099 S

Page 2

U.S. PATENT DOCUMENTS

D239,919 S	5/1976	Wilson		5,599,052 A	2/1997	Van Davelaar	
4,262,385 A	4/1981	Norman		D380,382 S	7/1997	Rhone et al.	
4,417,609 A	11/1983	Sherwood		5,658,029 A	8/1997	Franko	
D286,268 S	10/1986	Wolff		D395,602 S	6/1998	Sakko	
4,617,215 A	10/1986	Telesco		5,775,757 A	7/1998	Tipp	
D290,813 S	* 7/1987	Forbes, Jr. D9/433	5,881,432 A	3/1999	Good	
D299,432 S	* 1/1989	Gustafsson D9/433	D408,259 S	4/1999	Hagen	
4,796,940 A	1/1989	Rimland		5,992,803 A	11/1999	LeRoux	
D307,712 S	5/1990	Ralls et al.		5,996,180 A	12/1999	Eisenzopf	
4,920,675 A	5/1990	Mashimo		D418,753 S	* 1/2000	DuBow D9/440
4,932,702 A	6/1990	Sweeny		D438,797 S	3/2001	Bozlee	
4,938,515 A	7/1990	Fazio		D442,085 S	5/2001	Bozlee	
4,982,989 A	1/1991	Sweeny		D451,389 S	12/2001	Bozlee	
5,005,891 A	4/1991	Lunsford		D451,390 S	12/2001	Bozlee	
D317,246 S	6/1991	Driscoll		D451,391 S	12/2001	Bozlee	
D325,156 S	4/1992	Sweeny		6,354,645 B2	3/2002	Bozlee	
5,257,845 A	11/1993	McConnell		6,481,771 B1	11/2002	Friedman	
5,368,393 A	11/1994	Normann		D466,810 S	* 12/2002	Ekkert D9/435
5,395,298 A	3/1995	Moesmann		D480,645 S	10/2003	Putnam	
5,425,497 A	6/1995	Sorensen		D493,108 S	* 7/2004	Burr et al. D9/433
D363,876 S	11/1995	Morissette		D496,587 S	* 9/2004	Burr et al. D9/434
5,487,582 A	1/1996	Bourgeois et al.					

* cited by examiner

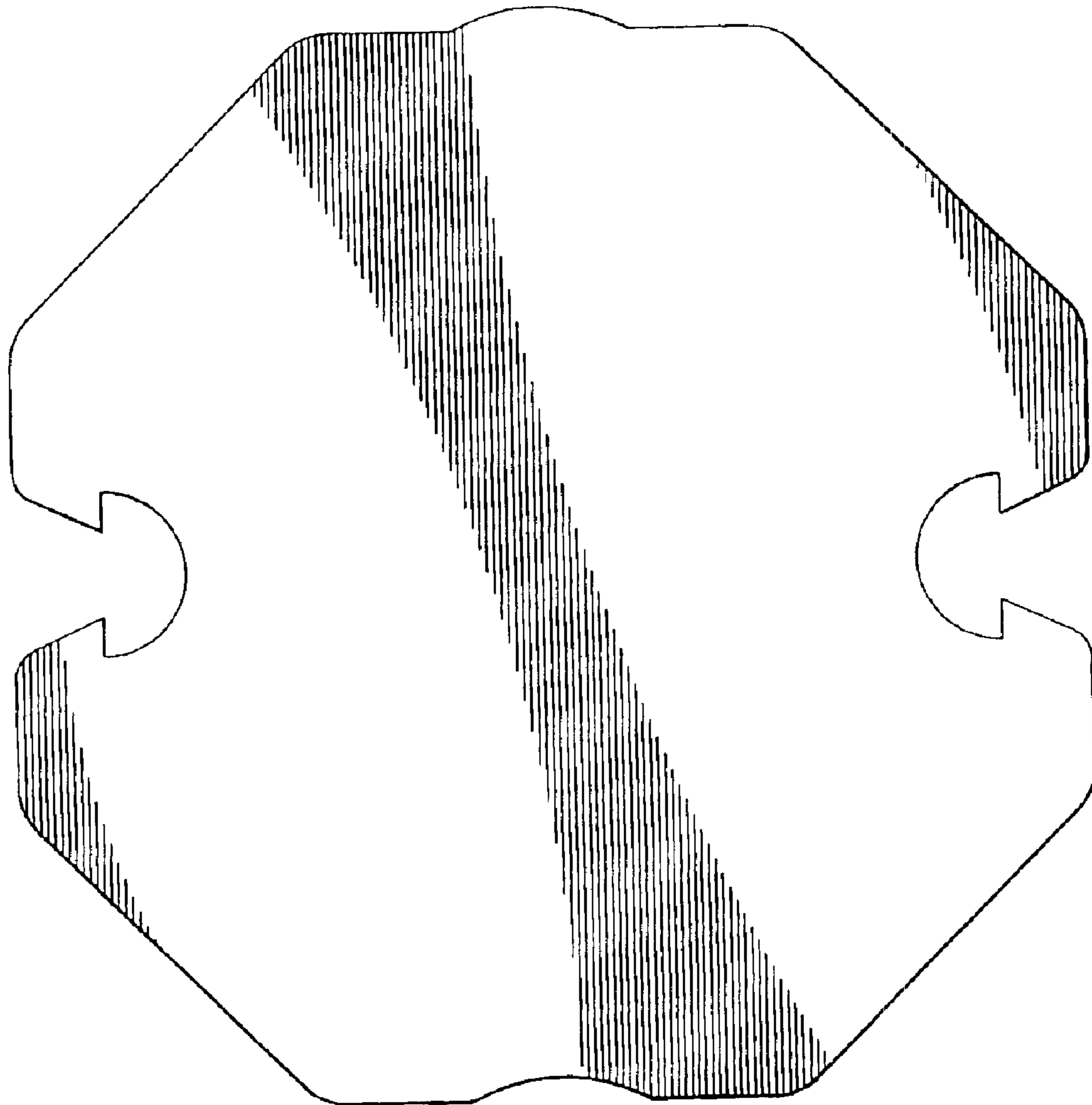


FIG. 1

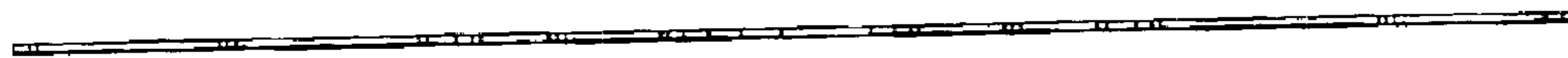


FIG. 2

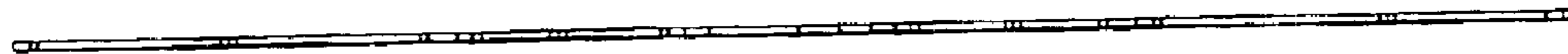
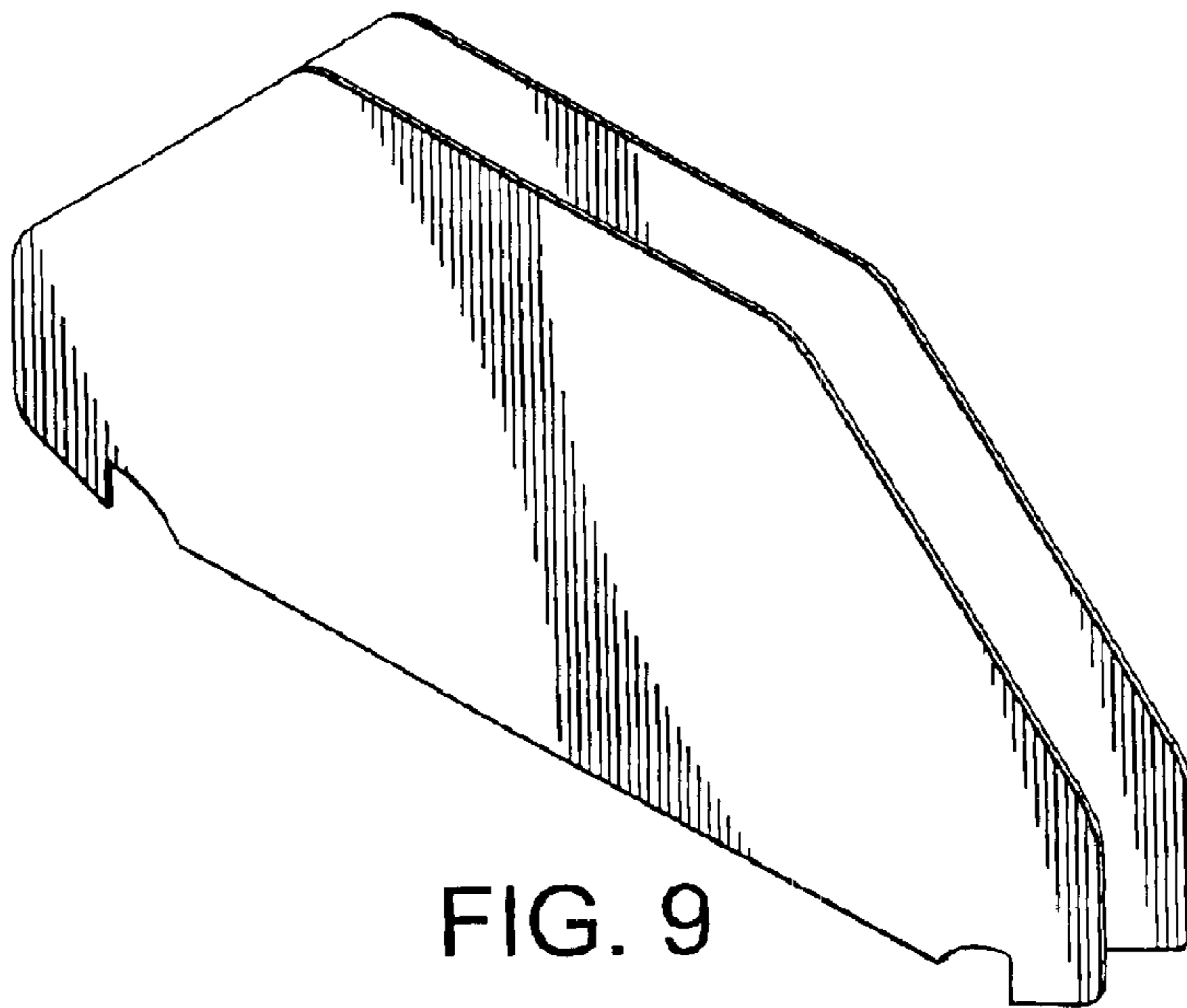
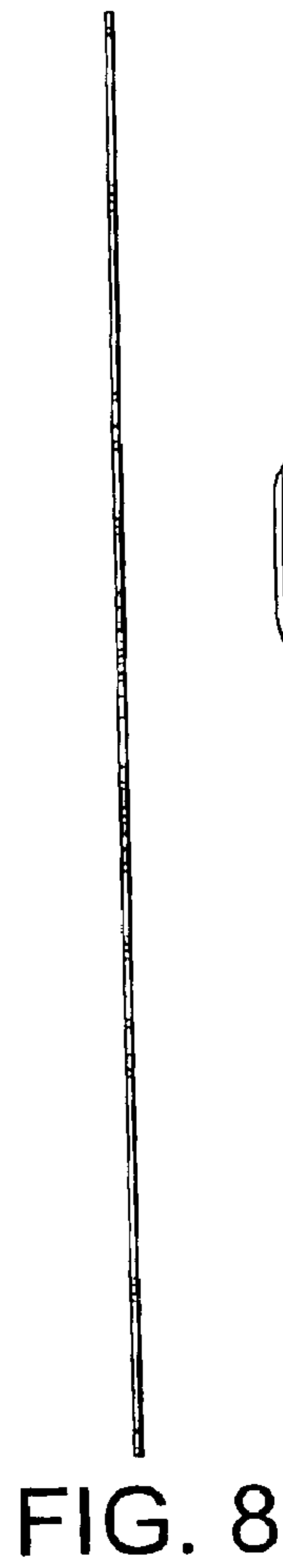
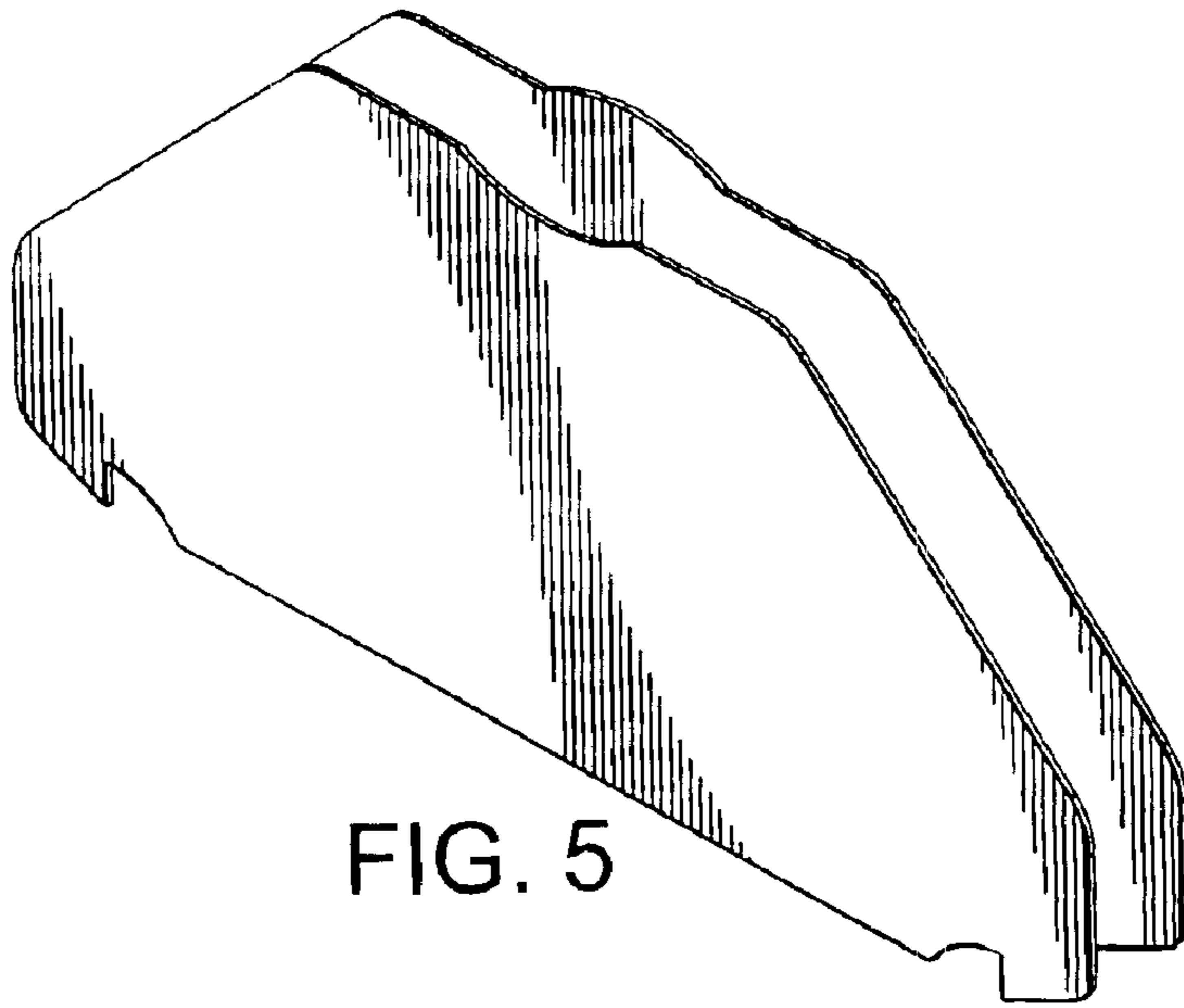
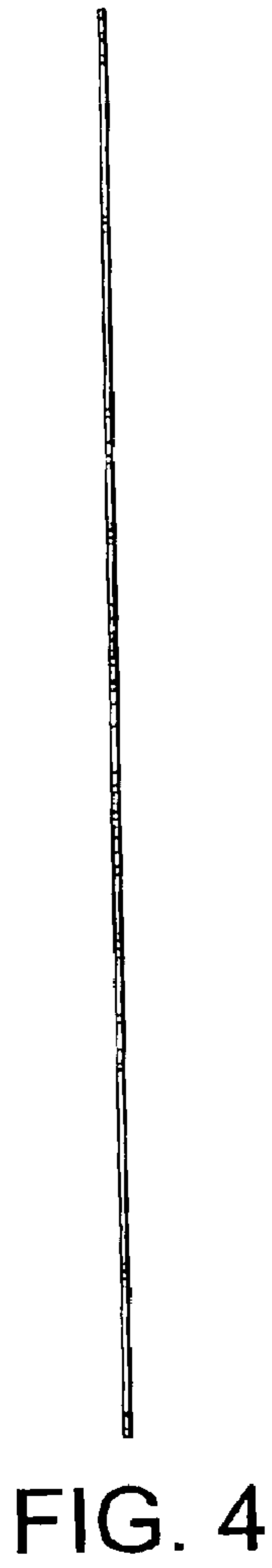


FIG. 3



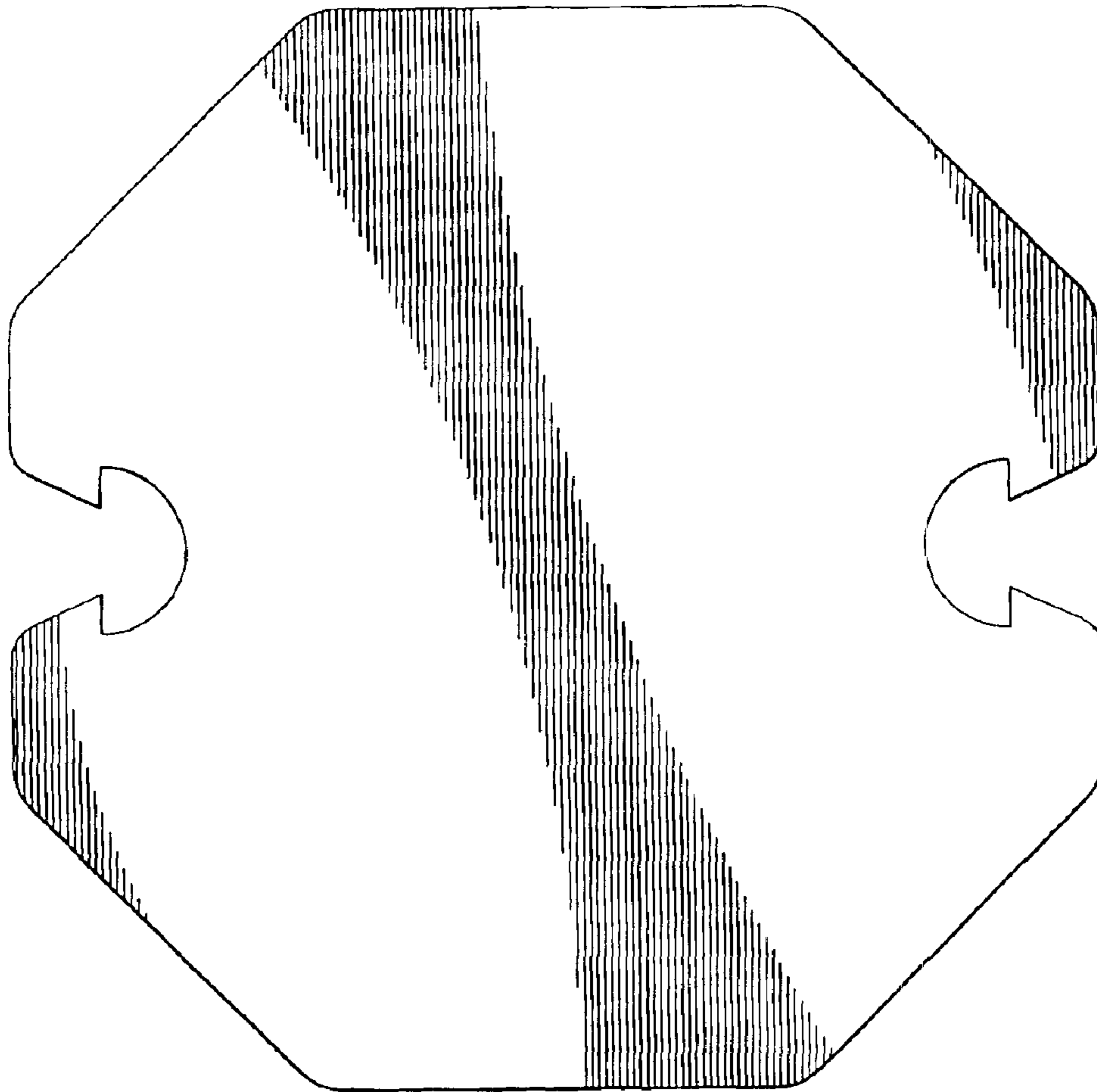


FIG. 6



FIG. 7