

US00D503085S

(12) **United States Design Patent** (10) **Patent No.:** **US D503,085 S**
McGrath, Jr. (45) **Date of Patent:** **** Mar. 22, 2005**

(54) **GOLF TOWEL CLIP**

(76) Inventor: **Terence J. McGrath, Jr.**, 193
Hulsetown Rd., Chester, NY (US)
10940

(**) Term: **14 Years**

(21) Appl. No.: **29/192,699**

(22) Filed: **Oct. 27, 2003**

(51) **LOC (7) Cl.** **08-08**

(52) **U.S. Cl.** **D8/395**

(58) **Field of Search** D8/394–395; D11/222–223,
D11/226; D21/708; 24/3.1, 3.12, 350, 352,
511

(56) **References Cited**

U.S. PATENT DOCUMENTS

D204,467 S	*	4/1966	Olson	D8/395
D347,787 S	*	6/1994	Galmines et al.	D8/387
D359,257 S	*	6/1995	Miller	D11/223
D380,405 S	*	7/1997	Obatake	D11/89
D405,224 S	*	2/1999	Falconio	D27/183

OTHER PUBLICATIONS

CP Promotional Concepts golf poncho ball with clip. Datasheet [online]. CP Promotional concepts, 2002 [retrieved on Nov. 12, 2004]. Retrieved from internet: http://web.archive.org/web/20021020000113/www.promoconcepts.com/acatalog/promotional_concepts_custom_.*

* cited by examiner

Primary Examiner—Holly Baynham
(74) *Attorney, Agent, or Firm*—Sturm & Fix LLP

(57) **CLAIM**

The ornamental design for a golf towel clip, as shown and described.

DESCRIPTION

A portion of the disclosure of this patent document, including appendices, may contain material which is subject to copyright protection. The copyright owner has no objection to the facsimile reproduction by anyone of the patent document or the patent disclosure, as it appears in the Patent and Trademark Office patent file or records, but otherwise reserves all copyright rights whatsoever.

FIG. 1 is a perspective view of the golf towel clip showing my new design;

FIG. 2 is a front elevational view thereof;

FIG. 3 is a rear elevational view thereof;

FIG. 4 is a top plan view thereof;

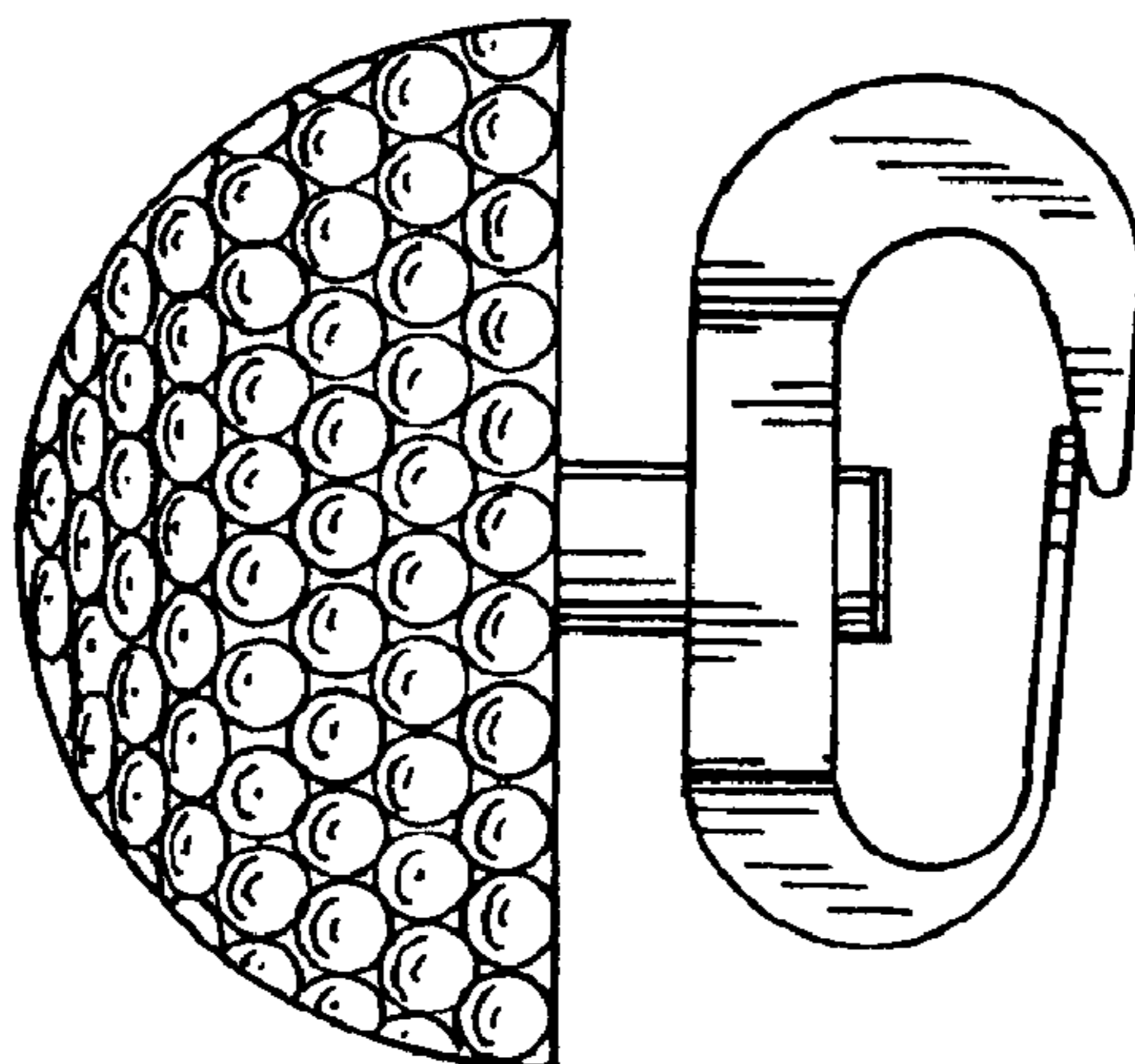
FIG. 5 is a bottom plan view thereof;

FIG. 6 is a right side elevational view thereof; and,

FIG. 7 is a left side elevational view thereof.

The dashed line showing of parts of a golf bag and golf towel in FIG. 1 are for illustrative purposes only, and do not form a part of the invention.

1 Claim, 1 Drawing Sheet



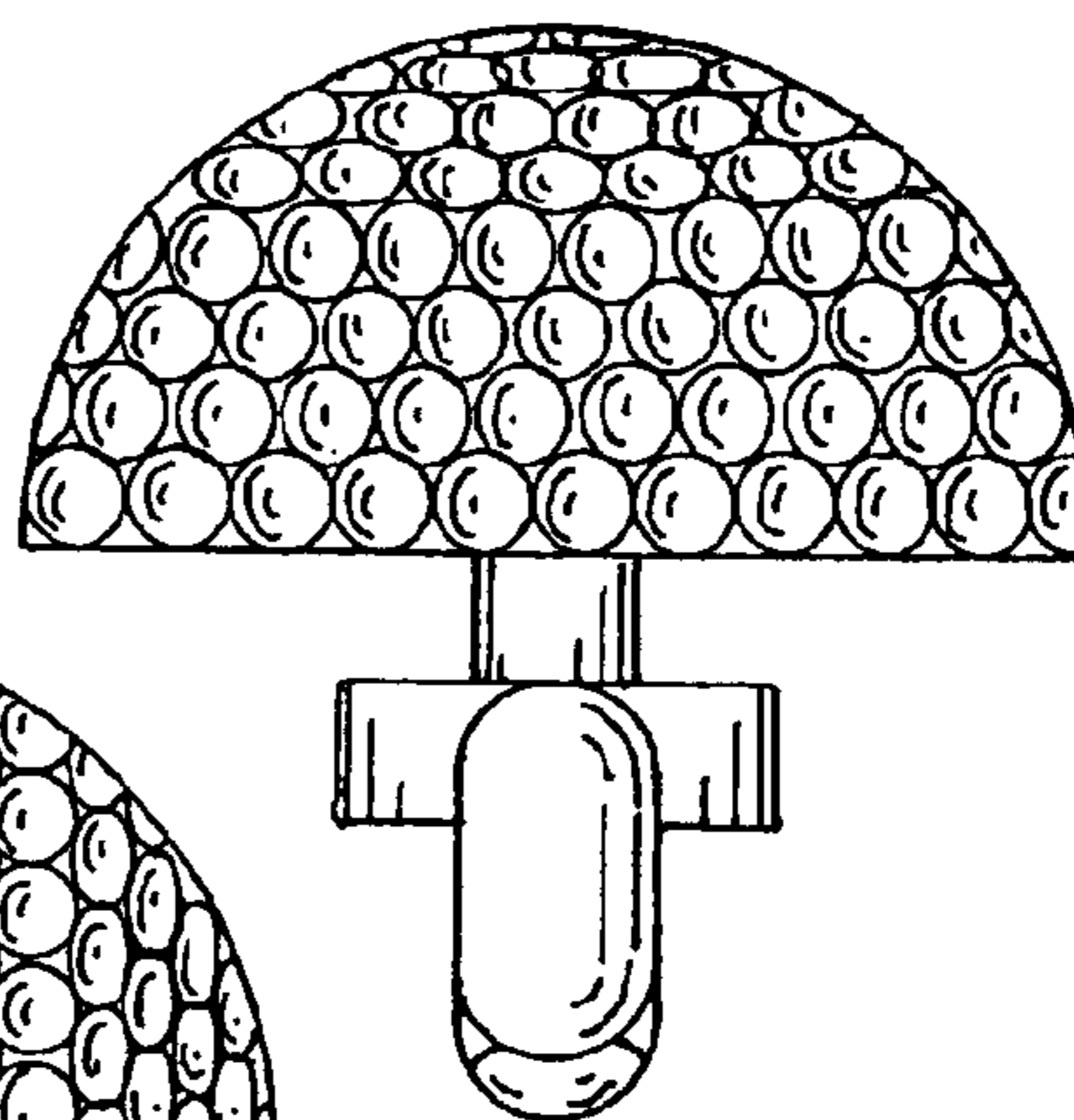
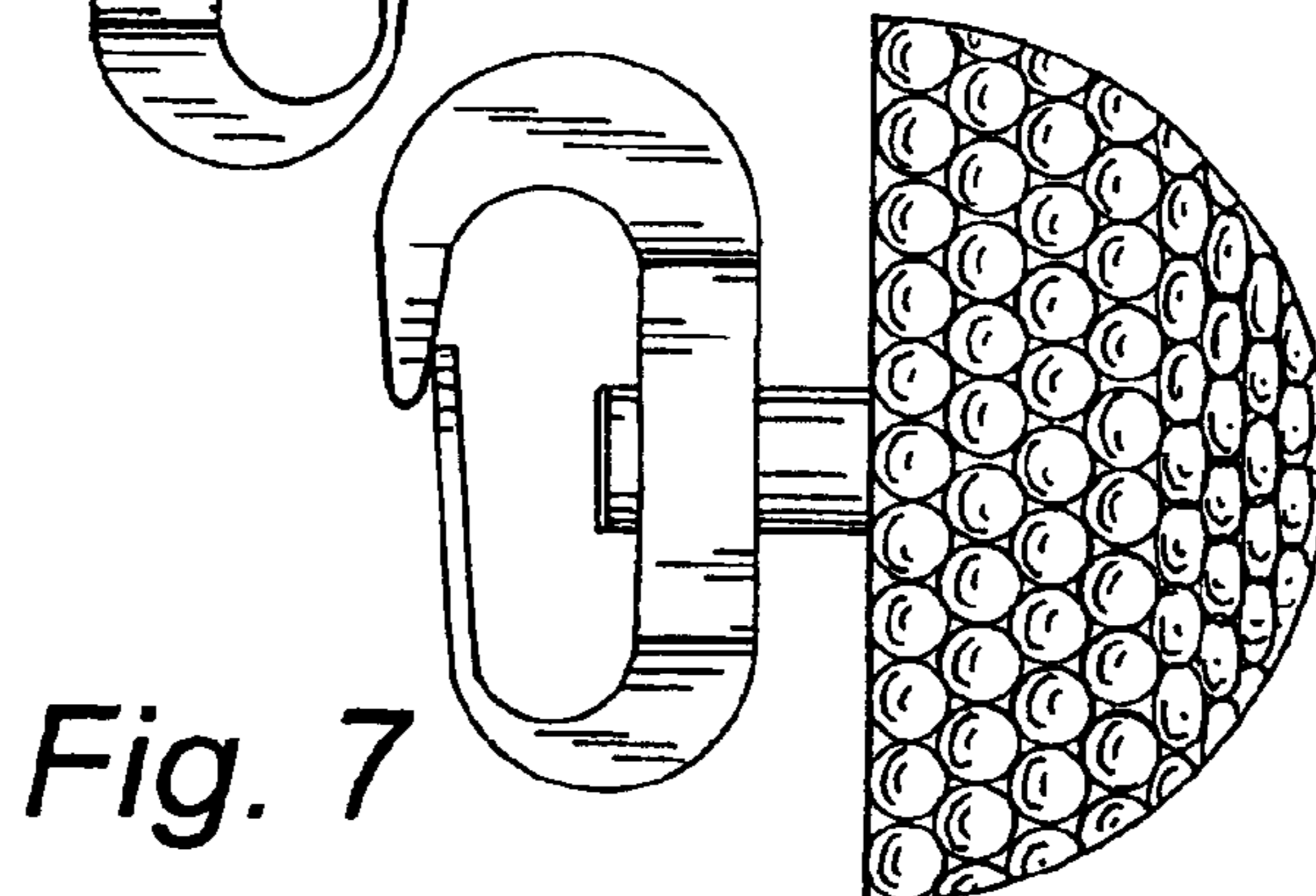
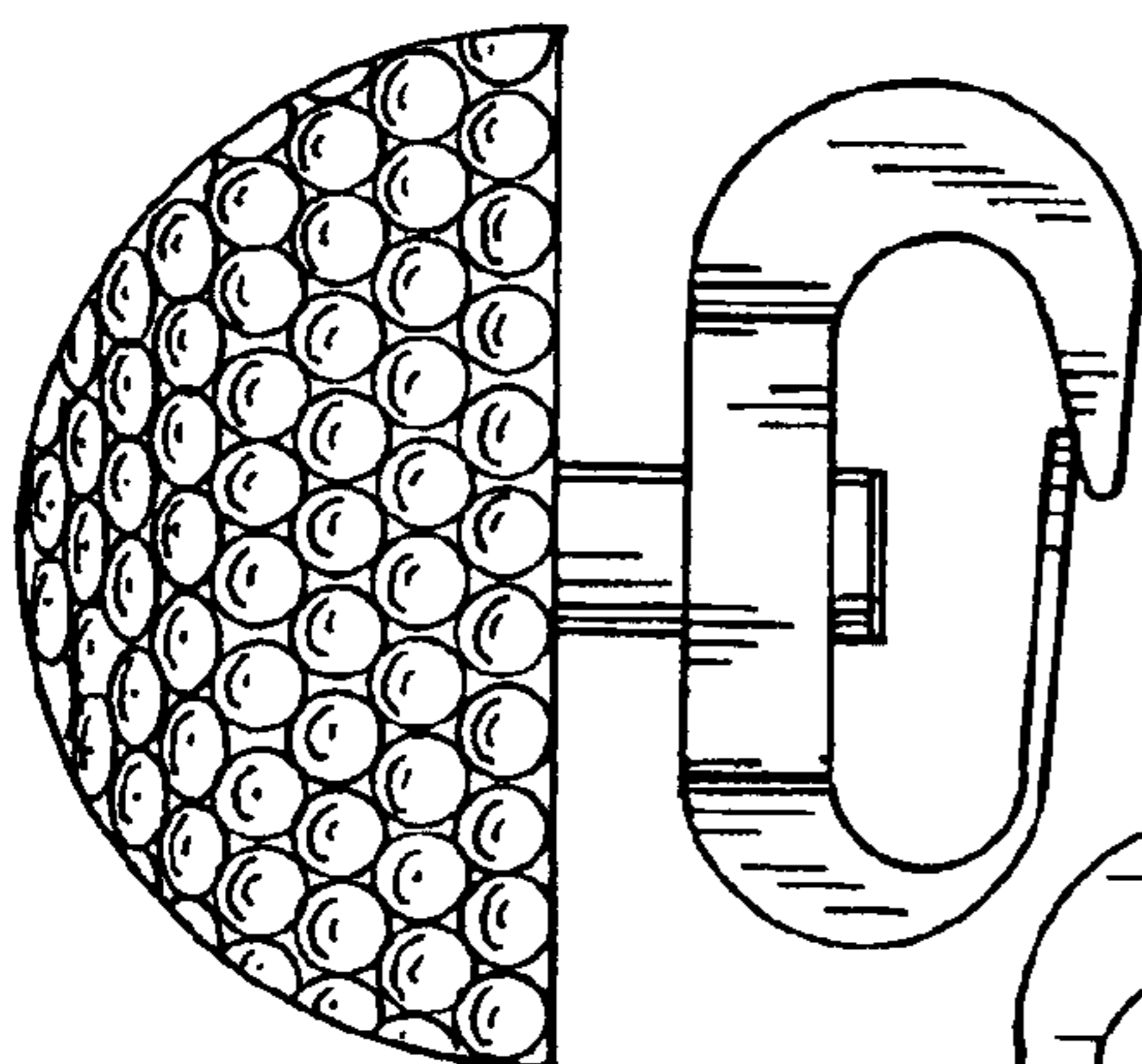
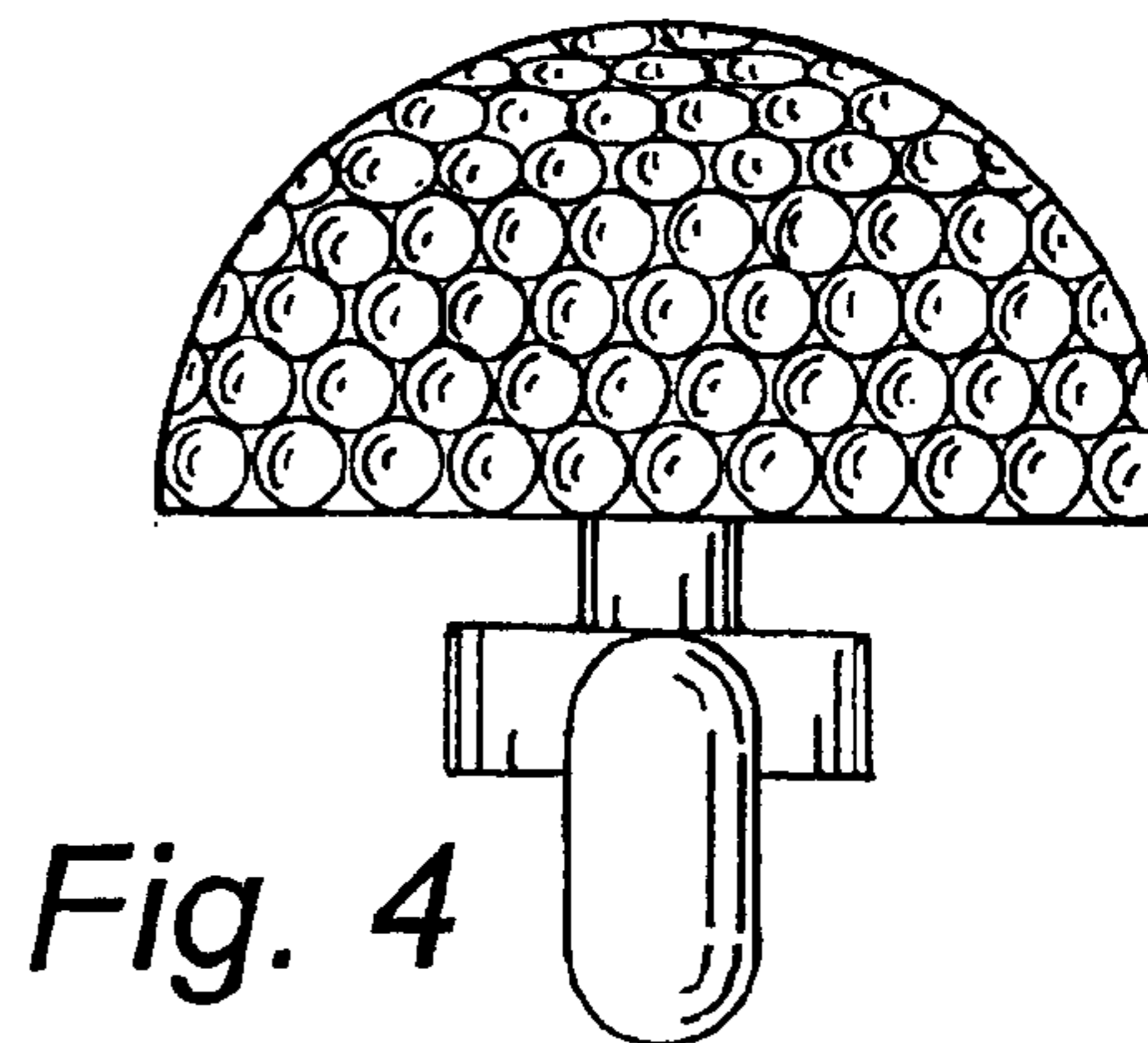
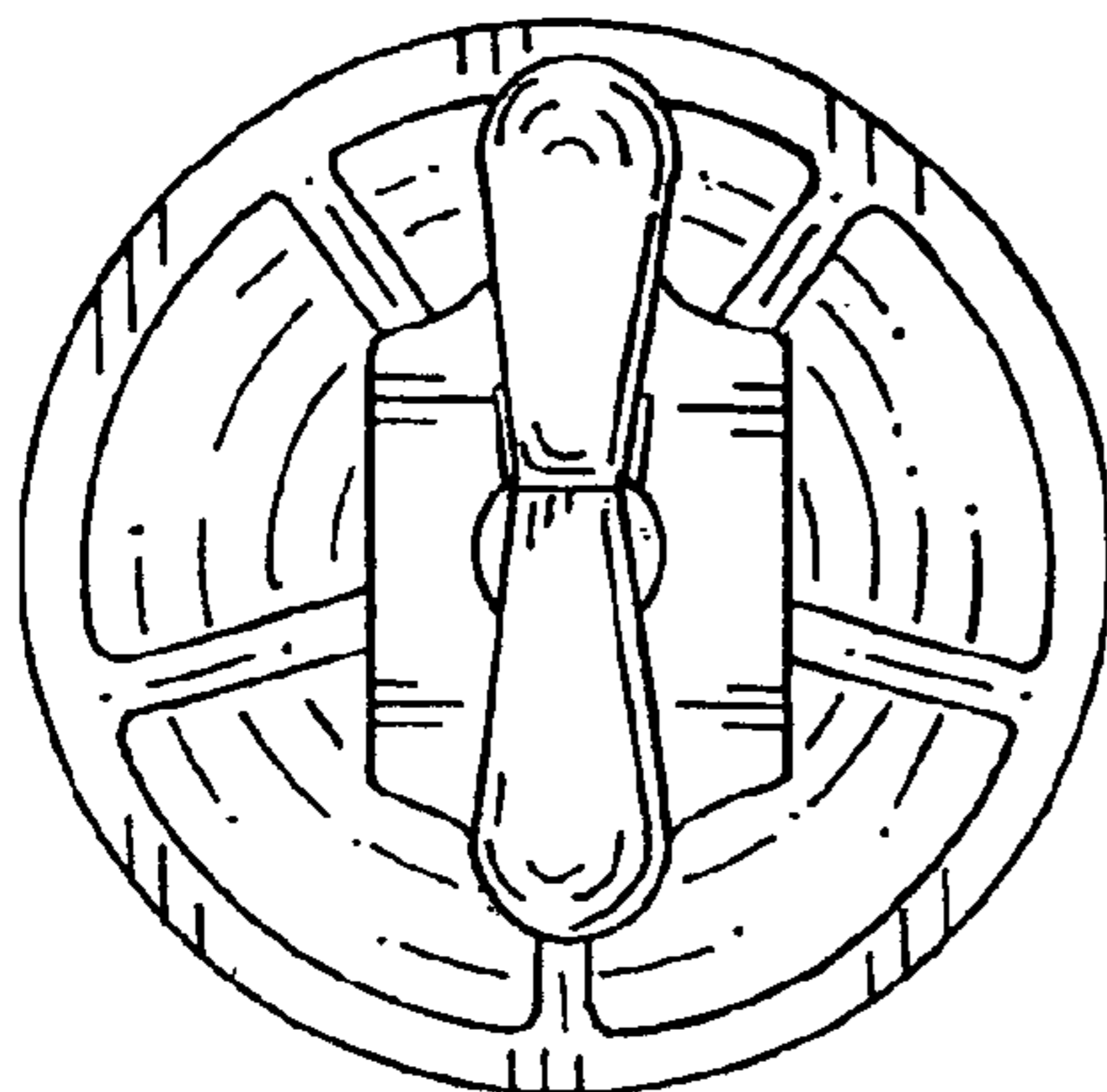
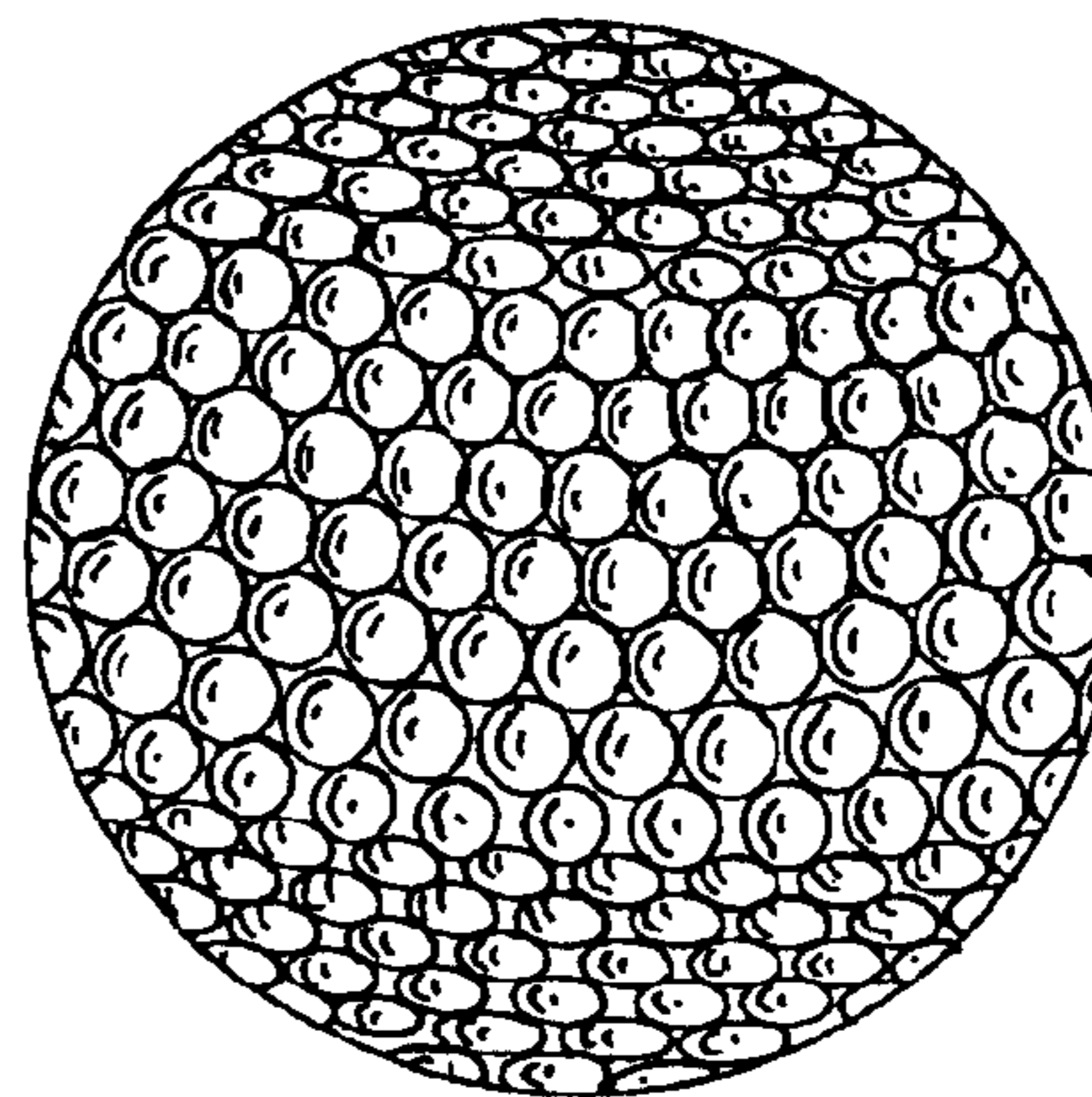
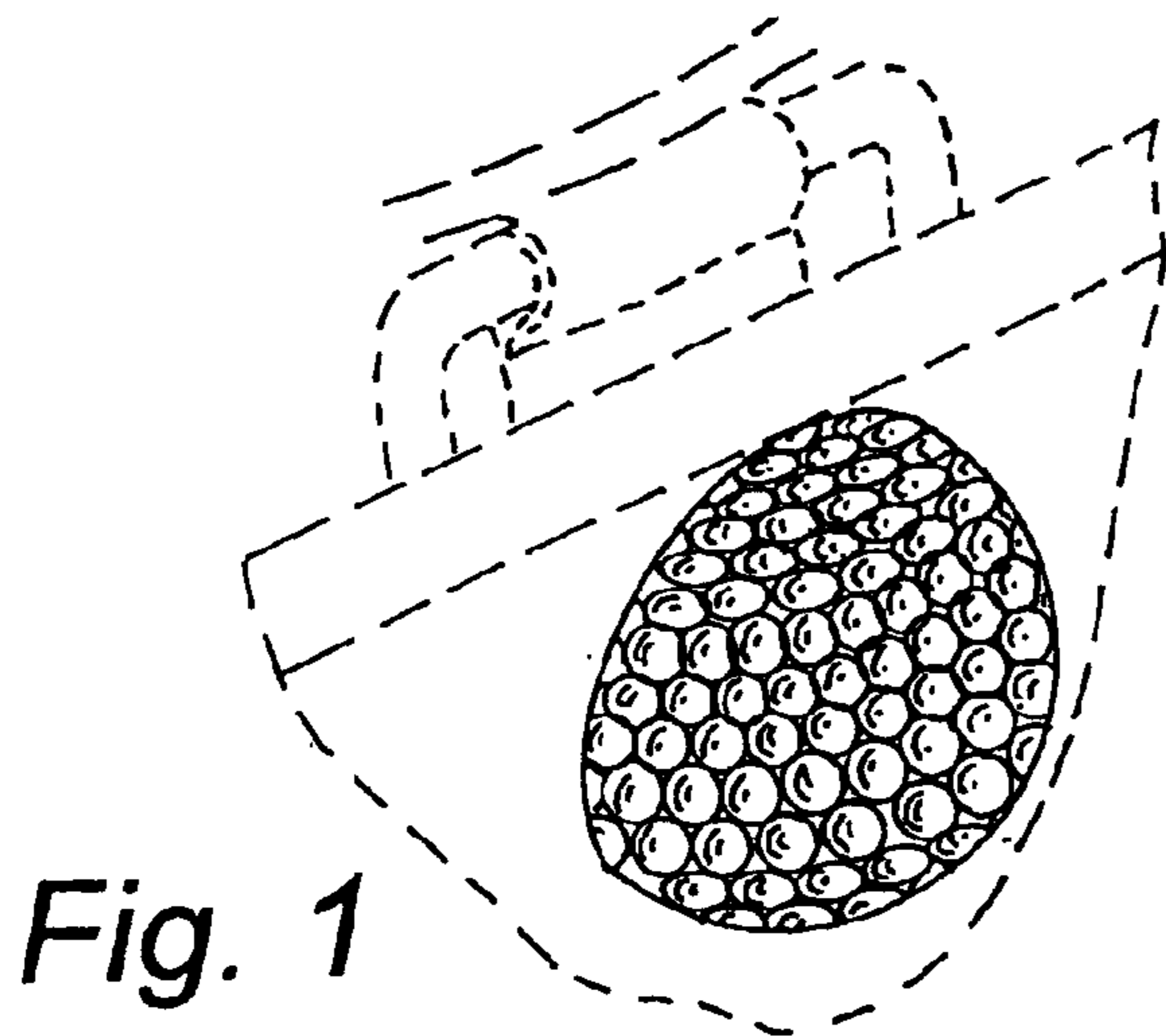


Fig. 5