

US00D503082S

(12) **United States Design Patent**
Denoual

(10) **Patent No.:** **US D503,082 S**
(45) **Date of Patent:** **** Mar. 22, 2005**

(54) **DOOR HANDLESET**

(75) Inventor: **Thierry Denoual**, St. Gabriel Brecy (FR)

(73) Assignee: **Studio 1884 sarl**, Flers (FR)

(**) Term: **14 Years**

(21) Appl. No.: **29/191,223**

(22) Filed: **Oct. 3, 2003**

(51) **LOC (7) Cl.** **08-06**

(52) **U.S. Cl.** **D8/301; D8/310; D8/352**

(58) **Field of Search** D8/300-302, 308,
D8/310, 315-320, 338, 341, 350-353; D23/254;
292/336.3, 347, 356, 357; 16/402, 412,
441; D6/323, 550, 537

(56) **References Cited**

U.S. PATENT DOCUMENTS

470,919 A * 3/1892 Rogers 16/441
D153,803 S * 5/1949 Huppert D8/352
2,655,398 A * 10/1953 Birbaum 292/356
3,017,213 A * 1/1962 Kendrick 292/357
D247,844 S * 5/1978 Palm, Jr. D8/352

D271,464 S * 11/1983 Carlson D8/301
5,005,886 A * 4/1991 Carroll 292/336.3
D318,215 S * 7/1991 Fleming D8/301
D435,972 S * 1/2001 Moore D6/323
D453,899 S * 2/2002 LaPlume et al. D8/352

* cited by examiner

Primary Examiner—Paula A. Greene

(74) *Attorney, Agent, or Firm*—Craig M. Stainbrook; Larry D. Johnson; Johnson & Stainbrook, LLP

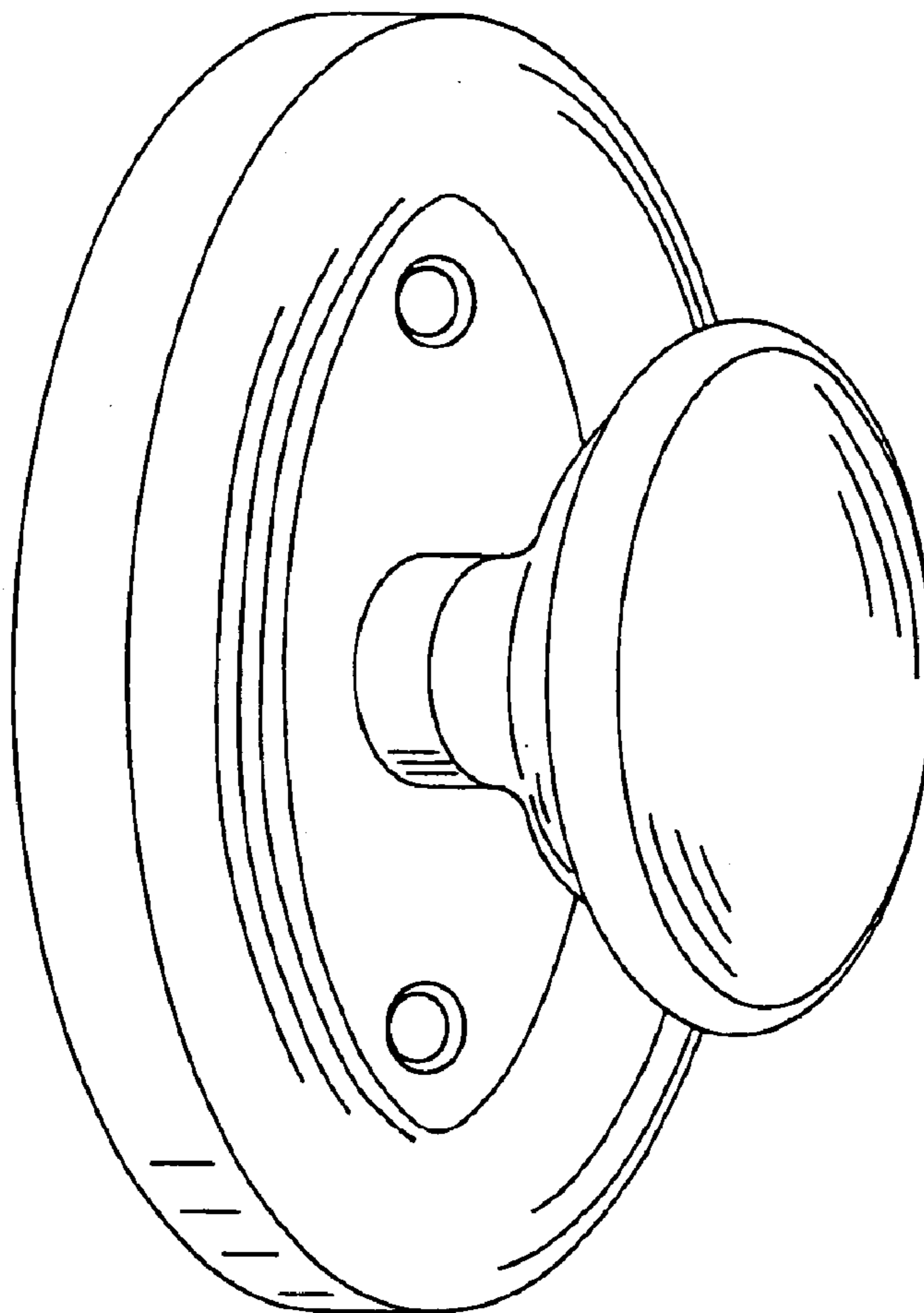
(57) **CLAIM**

The ornamental design for a door handleset, as shown and described.

DESCRIPTION

FIG. 1 is a perspective view of a door handleset showing my new design;
FIG. 2 is a front elevation view thereof, the rear being unornamented;
FIG. 3 is a right side elevation view thereof;
FIG. 4 is a left side elevation view thereof;
FIG. 5 is a top plan view thereof; and,
FIG. 6 is a bottom plan view thereof.

1 Claim, 6 Drawing Sheets



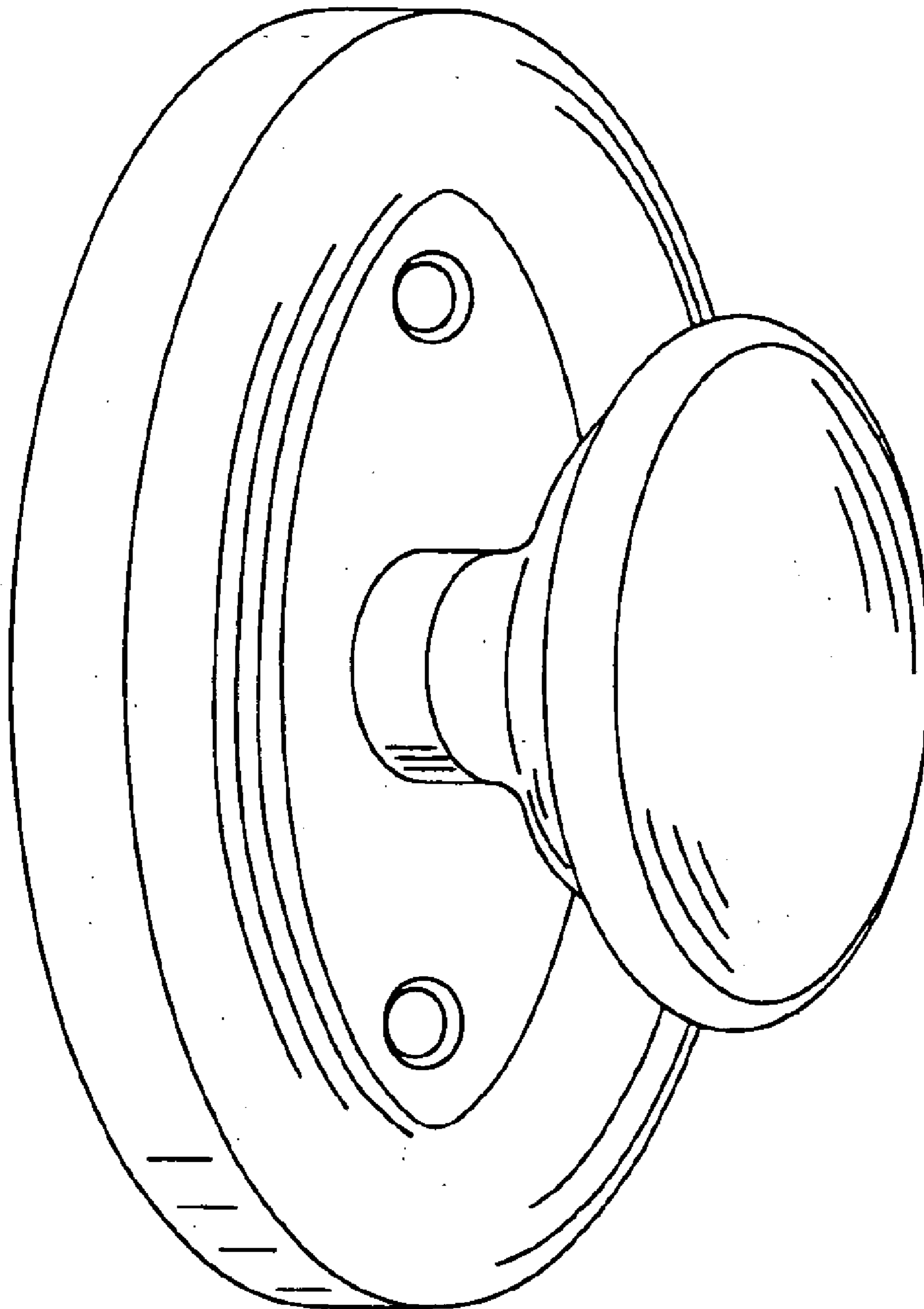


Fig-1

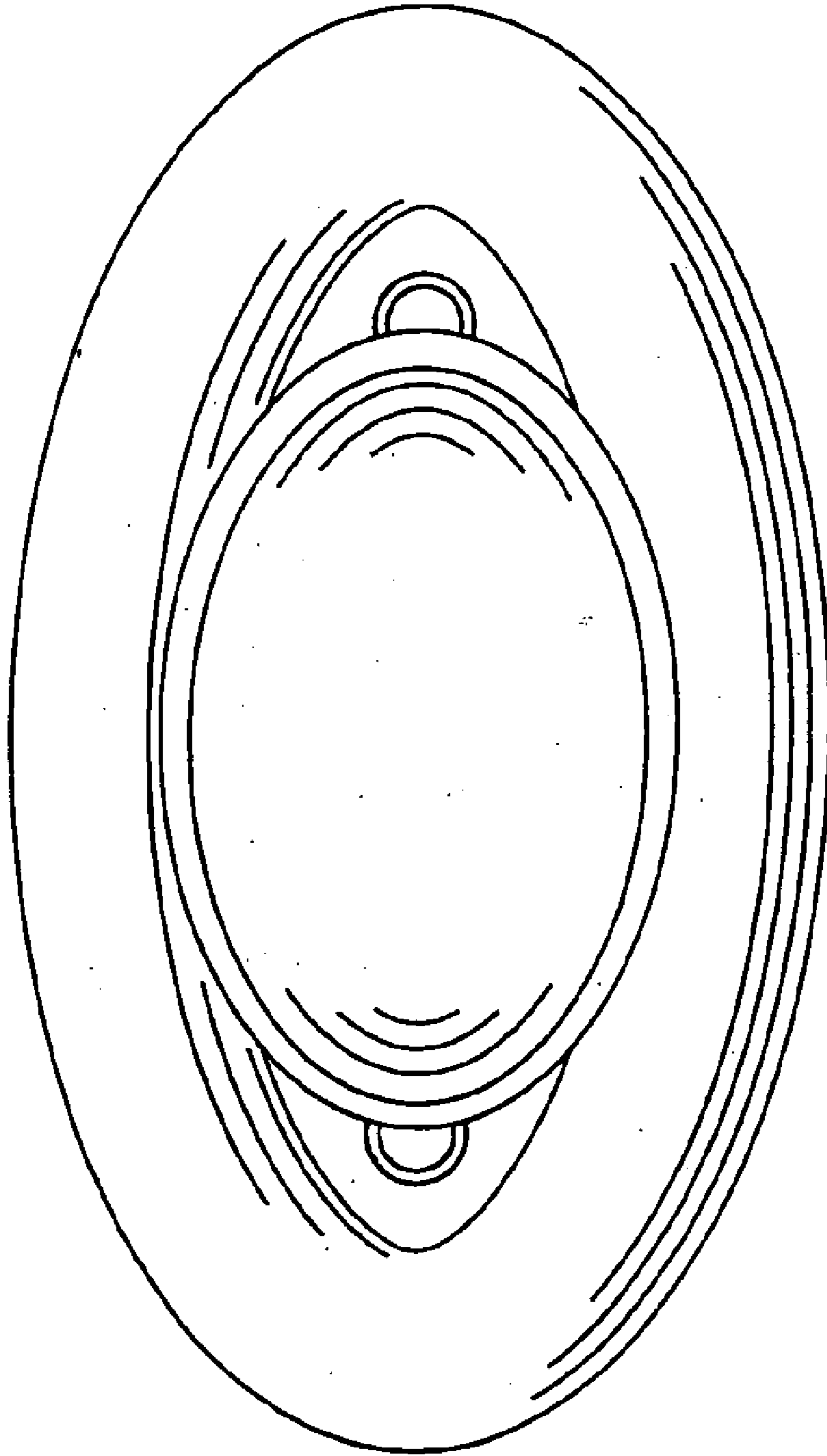


Fig-2

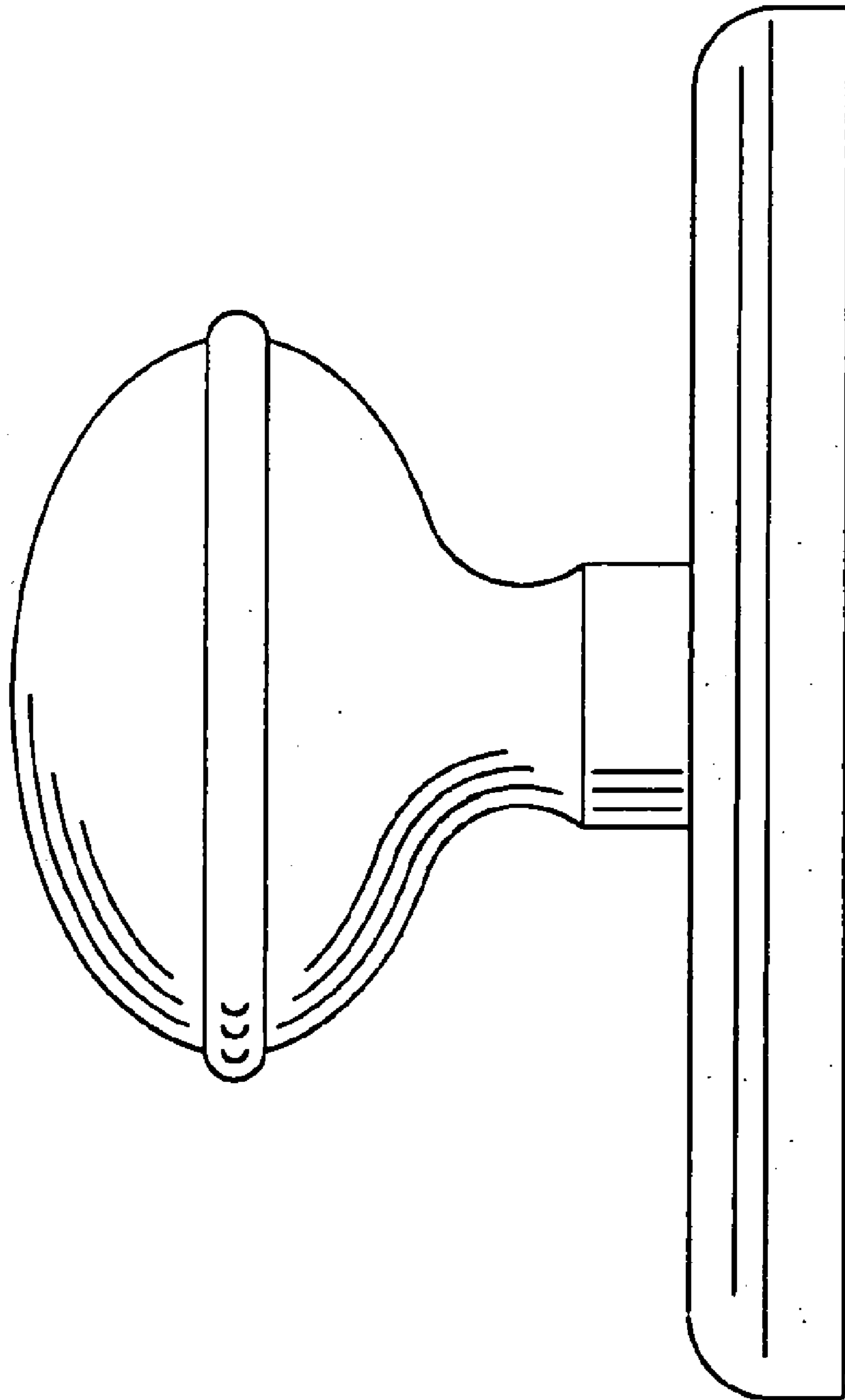


Fig-3

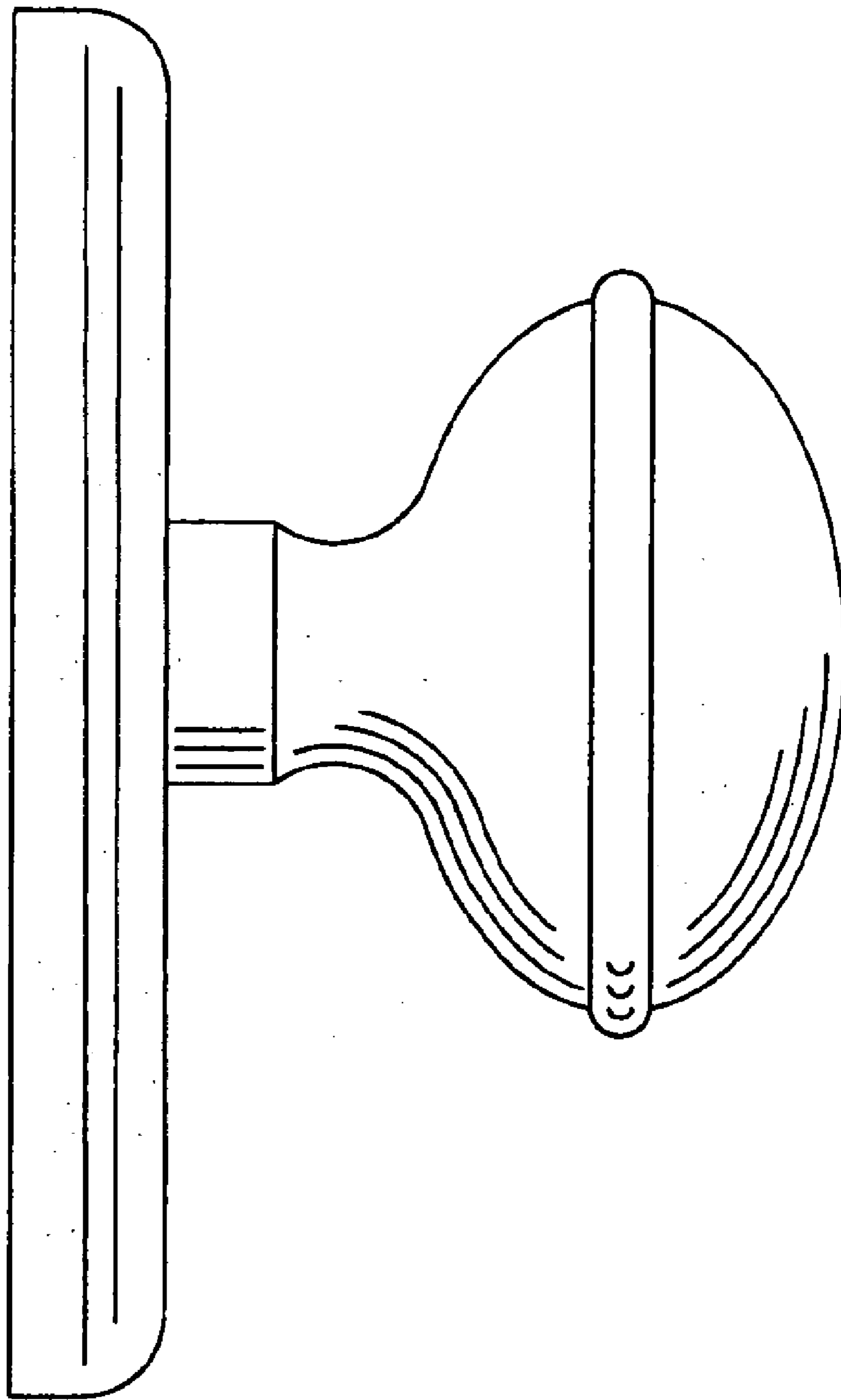


Fig-4

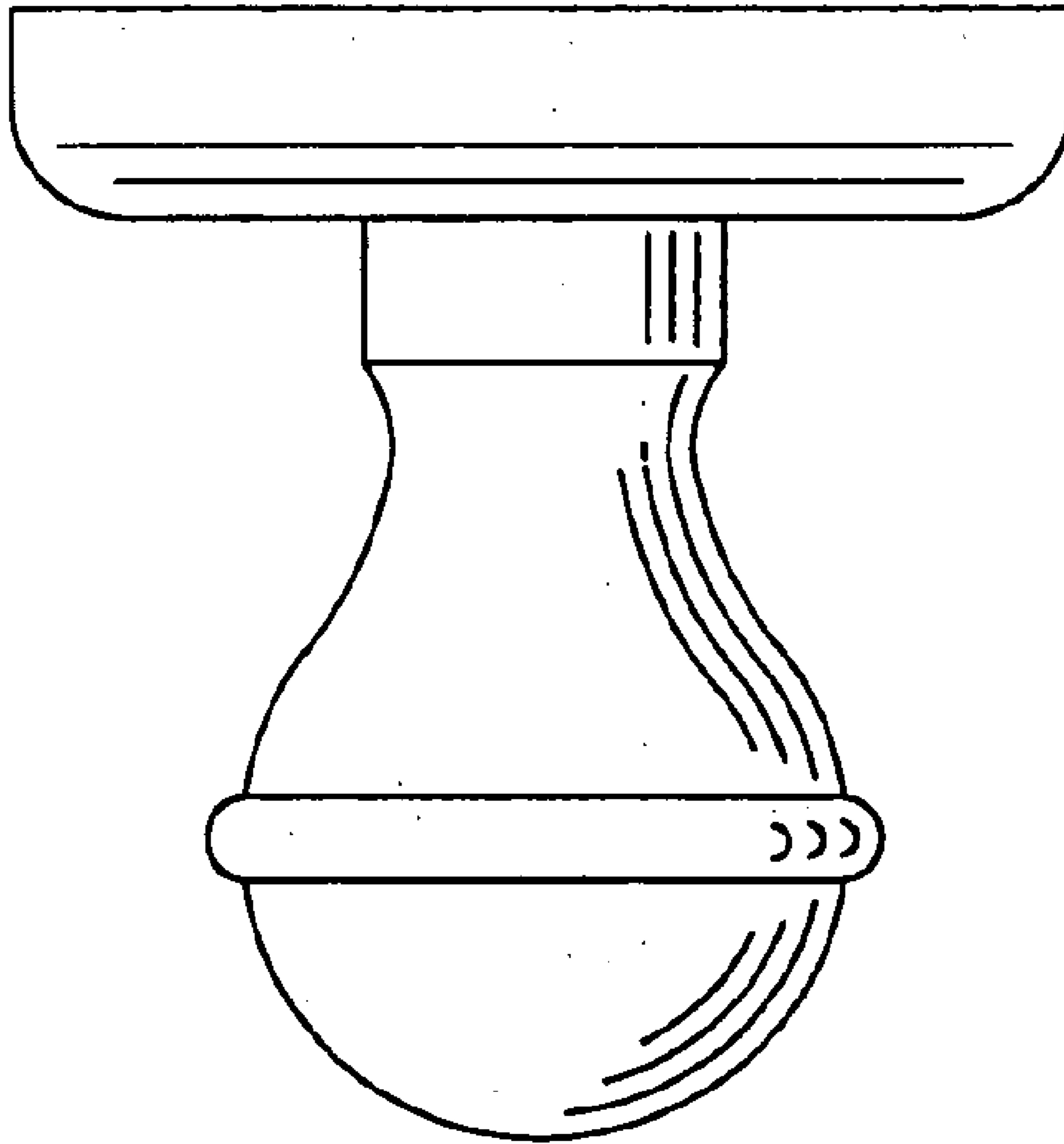


Fig-5

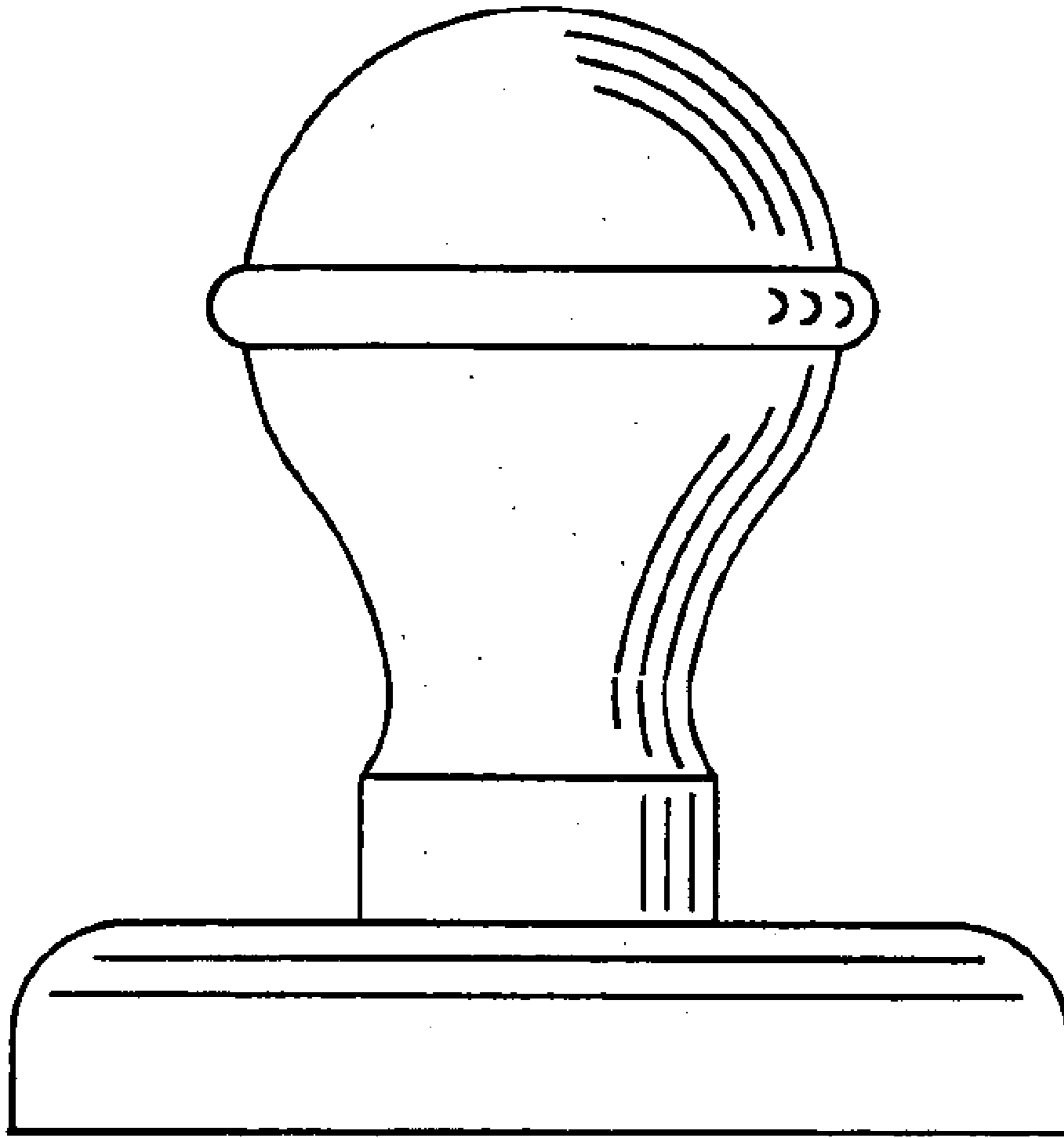


Fig-6