

US00D503075S

(12) **United States Design Patent** (10) **Patent No.:** **US D503,075 S**
Martin (45) **Date of Patent:** **** Mar. 22, 2005**

(54) **CONTAINER**

(76) Inventor: **Laura Ann Martin**, 450 Avenue of the Americas, Apt. 3-C, New York, NY (US) 10011

(**) Term: **14 Years**

(21) Appl. No.: **29/206,423**

(22) Filed: **May 28, 2004**

Related U.S. Application Data

(63) Continuation of application No. 29/180,461, filed on Apr. 24, 2003, now Pat. No. Des. 495,212, which is a continuation of application No. 10/314,504, filed on Dec. 9, 2002.

(51) **LOC (7) Cl.** **07-06**

(52) **U.S. Cl.** **D7/592**

(58) **Field of Search** D7/590-597, 701, D7/707, 708; D6/569, 514, 553, 574; D9/500-504, 506, 515, 549, 559, 572-575; 211/71.01, 74, 75; 222/142.1-142.9, 480; 248/311.2, 206.5

(56) **References Cited**

U.S. PATENT DOCUMENTS

- 165,670 A 7/1875 Goodwin et al.
- 178,878 A 6/1876 Putnam
- 345,554 A 7/1886 Tate
- 425,768 A 4/1890 Ezell
- 1,215,018 A 2/1917 Grossman
- 1,216,252 A 2/1917 Ferguson
- 1,394,545 A 10/1921 French
- D67,752 S 7/1925 Frahm
- 1,547,080 A 7/1925 Swan
- 1,712,140 A 5/1929 Flegenheimer
- 2,217,514 A 10/1940 Henry
- 2,480,606 A 8/1949 Rabbitt
- 2,514,416 A 7/1950 Plunkett
- D190,510 S 6/1961 Grandinetti
- 3,063,602 A 11/1962 Anderson
- 3,096,910 A 7/1963 Pehr
- 3,184,098 A 5/1965 Sabaka
- 3,335,915 A 8/1967 Shannon

- 3,642,122 A 2/1972 Von Ende
- 3,695,487 A 10/1972 Slayton et al.
- 3,731,819 A 5/1973 Sandhage
- D233,815 S 12/1974 Salviato
- 3,878,971 A 4/1975 Freedman
- 4,019,638 A 4/1977 Miller
- 4,346,823 A 8/1982 Eppenbach
- D267,847 S 2/1983 Pielert
- 4,378,889 A 4/1983 Lebowitz
- 4,484,682 A 11/1984 Crow
- 4,541,551 A 9/1985 Vierkotter et al.
- 4,544,063 A 10/1985 Neward
- 4,583,667 A 4/1986 Fishman et al.
- 4,819,815 A 4/1989 Tarlow et al.
- D303,900 S 10/1989 Ancona et al.
- 4,984,720 A 1/1991 Groya et al.
- D314,491 S 2/1991 Carter et al.
- 5,020,699 A 6/1991 Sams
- 5,054,663 A 10/1991 Groya et al.

(List continued on next page.)

OTHER PUBLICATIONS

- S.T. International Group, Inc., Catalog, "Storage Boxes," p. 73.
- Lionel Trains Library, Catalog, "Magnetic Milk Can Set 1947-1959," updated Mar. 24, 2000.
- John Cleary, Clearco Products Co., Inc., Declaration and Catalog pages.
- Kamenstein, Catalog for Magnet Ware, copyrighted 1998.
- Lee Valley & Veritas, Fall Projects flyer, 1999.
- Lee Valley, Fine Woodworking Tools flyer, 1996.

Primary Examiner—Terry A. Wallace
(74) *Attorney, Agent, or Firm*—Armstrong Teasdale

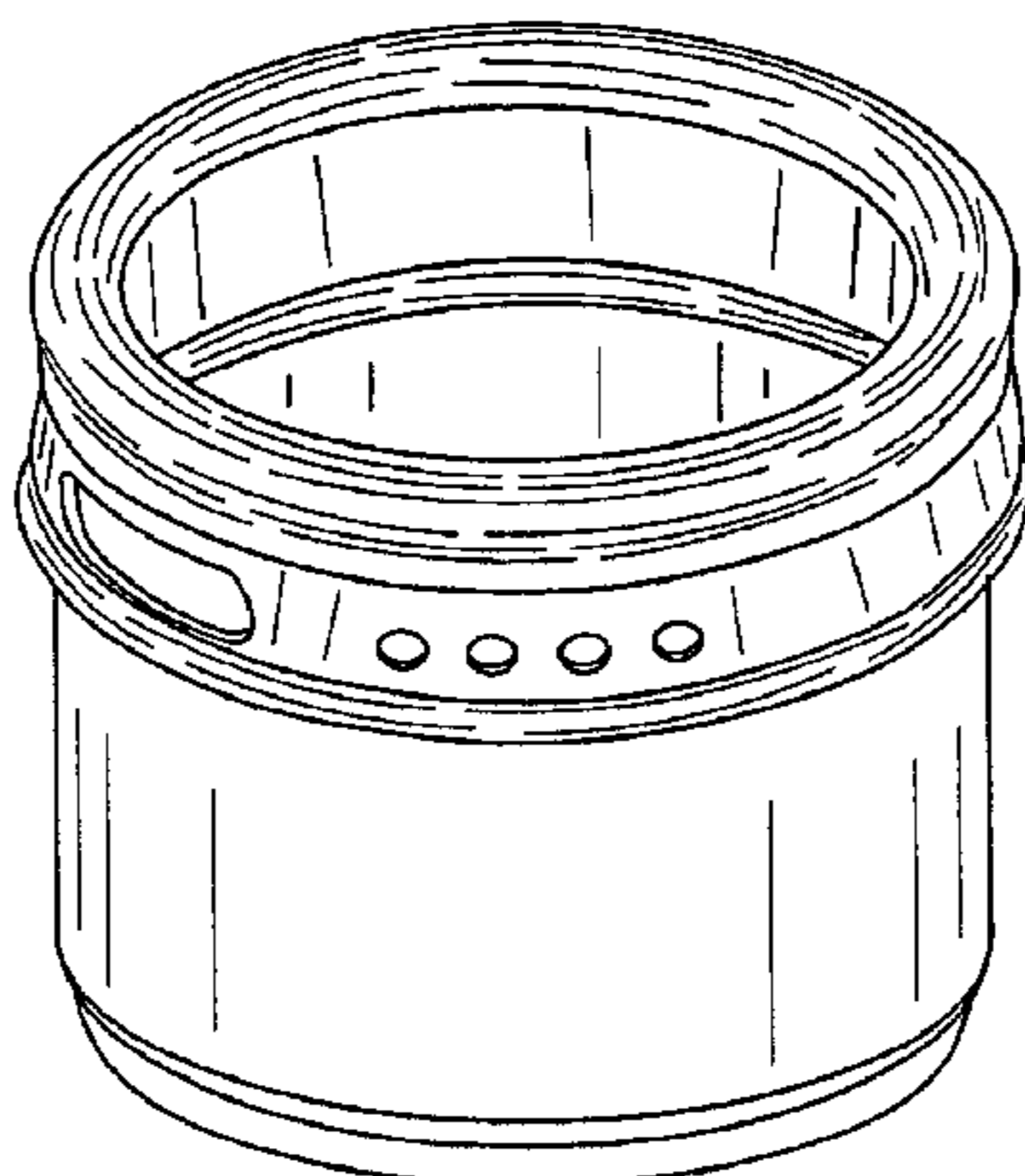
(57) **CLAIM**

I claim the ornamental design for a container, as shown and described.

DESCRIPTION

FIG. 1 is a perspective view of an exemplary container; and, FIG. 2 is a plan view of the container as shown in FIG. 1.

1 Claim, 2 Drawing Sheets



U.S. PATENT DOCUMENTS					
			D402,512 S	12/1998	Lee et al.
5,123,574 A	6/1992	Poulos	5,850,950 A	12/1998	Hofmann
5,193,722 A	3/1993	Groya et al.	D405,999 S	2/1999	Lee et al.
5,240,155 A	8/1993	Mueller et al.	5,871,107 A	2/1999	Johnson et al.
5,367,278 A	11/1994	Yoshikawa	D407,306 S	3/1999	Saab
5,368,203 A	11/1994	Friedrich et al.	5,947,329 A	9/1999	Bailey
5,407,107 A	4/1995	Smith	6,039,224 A	3/2000	Dallas, Jr. et al.
5,411,186 A	5/1995	Robbins, III	6,047,837 A	4/2000	Kessens
5,456,359 A	10/1995	Horn	6,065,632 A	5/2000	Moore, Jr.
5,465,871 A	11/1995	Robbins, III	6,279,760 B1	8/2001	Broeski
5,489,049 A	2/1996	Robbins, III	6,283,339 B1	9/2001	Morrow
5,544,747 A	8/1996	Horn	6,305,656 B1	10/2001	Wemyss
D379,148 S	5/1997	Robbins, III et al.	6,318,569 B1	11/2001	Rothing
5,655,673 A	8/1997	Weterrings et al.	6,422,426 B1	7/2002	Robbins, III et al.
5,660,276 A	8/1997	Winnard	D468,162 S	1/2003	Martin
5,669,516 A	9/1997	Horn	2004/0026420 A1	2/2004	Smith

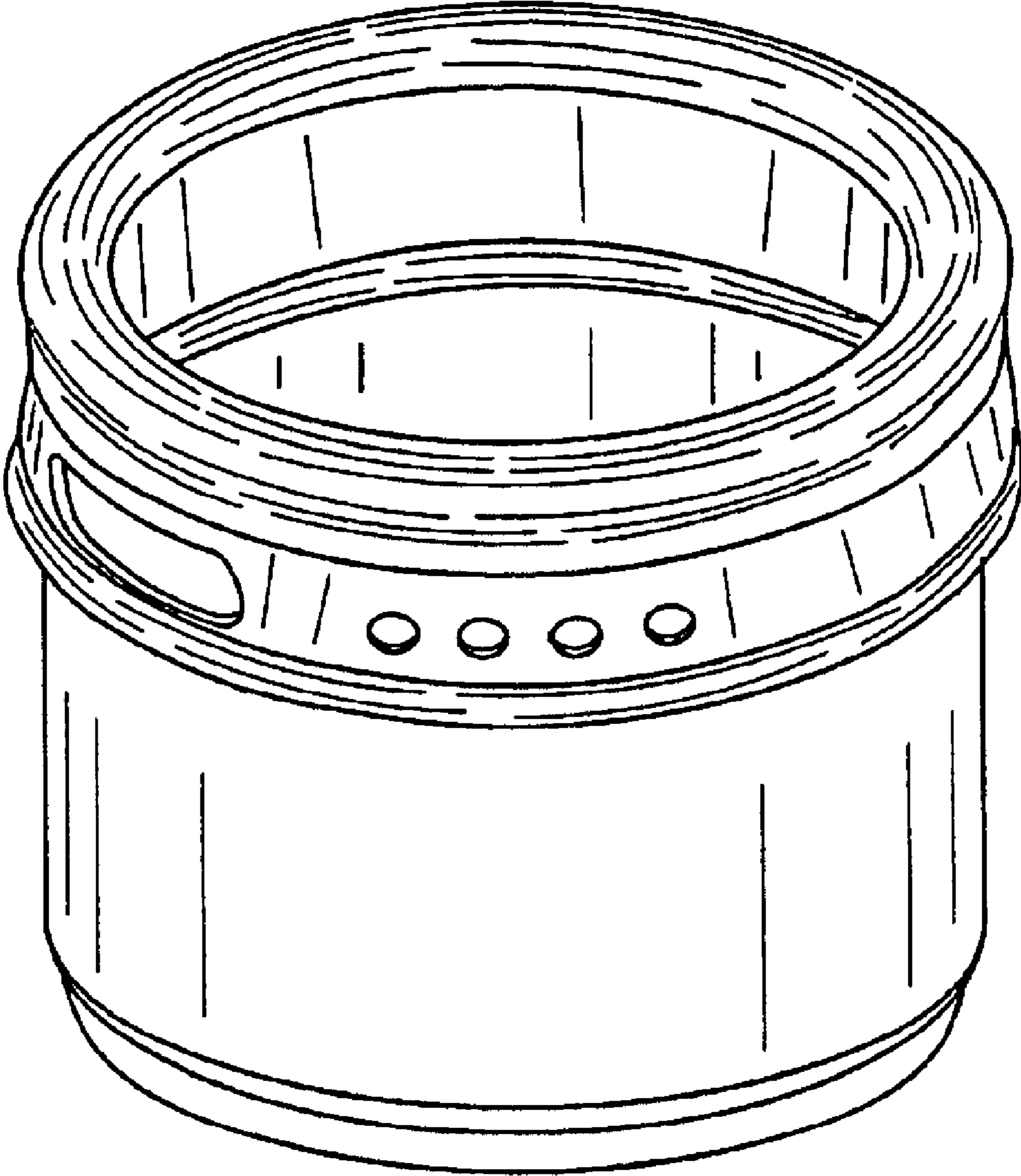


FIG. 1

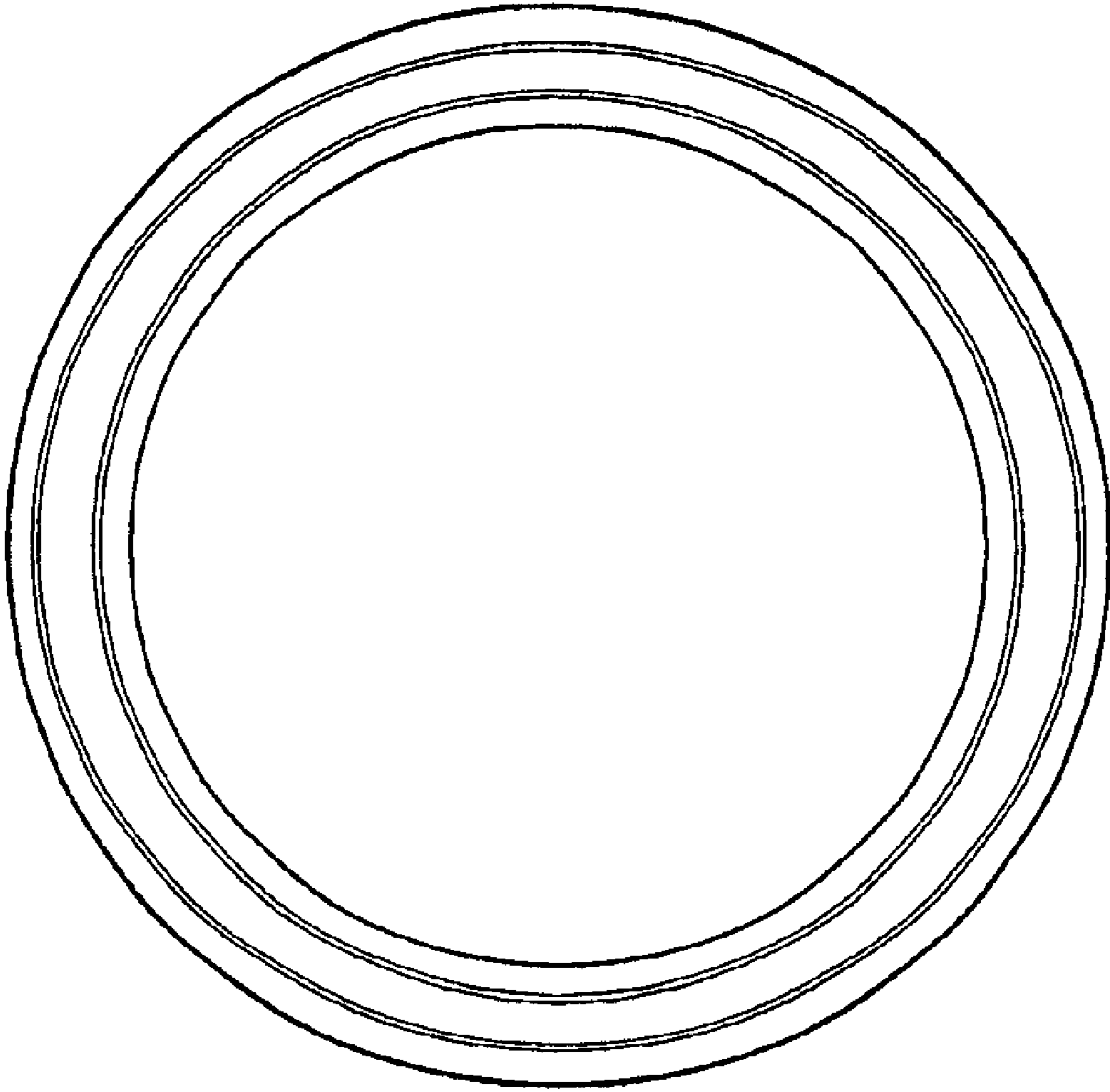


FIG. 2