

US00D503073S

(12) **United States Design Patent** (10) **Patent No.:** **US D503,073 S**
Lapsker (45) **Date of Patent:** **** Mar. 22, 2005**

(54) **BEVERAGEWARE**

(75) Inventor: **Ron Lapsker, Maple (CA)**

(73) Assignee: **Prosoft International, Inc., St. Michael (BB)**

(**) Term: **14 Years**

(21) Appl. No.: **29/197,276**

(22) Filed: **Jan. 13, 2004**

(51) **LOC (7) Cl.** **07-01**

(52) **U.S. Cl.** **D7/532; D7/533; D7/523**

(58) **Field of Search** **D7/509, 533.5, D7/36, 532, 523, 510, 511, 394; 220/710.5, 719, 729, 713, 23.86, 703, 737, 592.1; 215/396, 398; 206/217, 527; 229/400; 294/31.2, 33; 248/346.1, 205; D23/332**

(56) **References Cited**

U.S. PATENT DOCUMENTS

D29,252 S	8/1898	Bogert	
D70,476 S	6/1926	Heisey	
D73,031 S	* 7/1927	Heisey	D7/532
D81,061 S	* 4/1930	Marsden	D7/532
D94,000 S	* 12/1934	Sebring	D7/536
2,028,566 A	1/1936	Seipel et al.	
D96,566 S	8/1936	Straus	
D108,220 S	2/1938	Shapiro	
D108,957 S	3/1938	Kelly	
D112,799 S	1/1939	Watson	
D118,650 S	1/1940	Sawyer	
D120,135 S	* 4/1940	Morrison	D7/532
D120,226 S	4/1940	Lundy	
D121,573 S	* 7/1940	Lundy	D7/532
D124,317 S	* 12/1940	Lundy	D7/532
D155,289 S	9/1949	Hoople	
D170,409 S	9/1953	Hare	
2,717,619 A	9/1955	Whitman	
2,747,387 A	5/1956	Sweem	
D196,598 S	10/1963	Lewis	
D236,936 S	9/1975	Achenbach	
D243,816 S	* 3/1977	Achenbach	D7/532

D243,911 S	* 4/1977	Thorud	D7/536
D244,502 S	* 5/1977	Harbaugh et al.	D7/532
D246,882 S	1/1978	Thrush	
D250,314 S	11/1978	Elliott et al.	
D277,821 S	3/1985	Nestrock	
D290,568 S	* 6/1987	Feltman et al.	D7/536
4,765,465 A	* 8/1988	Yamada et al.	206/217
D321,626 S	11/1991	Kouts	
D333,067 S	* 2/1993	Feltman, III	D7/536
D337,526 S	7/1993	Teo	

(List continued on next page.)

Primary Examiner—M. N. Pandozzi

(74) *Attorney, Agent, or Firm*—Hodgson Russ LLP

(57) **CLAIM**

The ornamental design for beverageware, as shown and described.

DESCRIPTION

FIG. 1 is a perspective view of beverageware showing my new design;

FIG. 2 is a right-hand side elevational view thereof, the left-hand side view thereof being a mirror image of the side shown;

FIG. 3 is a rear elevational view thereof;

FIG. 4 is a front elevational view thereof;

FIG. 5 is a top plan view thereof;

FIG. 6 is a bottom plan view thereof;

FIG. 7 is a perspective view of an alternate embodiment of the present invention;

FIG. 8 is a right-hand side elevational view thereof, the left-hand side view thereof being a mirror image of the side shown;

FIG. 9 is a rear elevational view thereof;

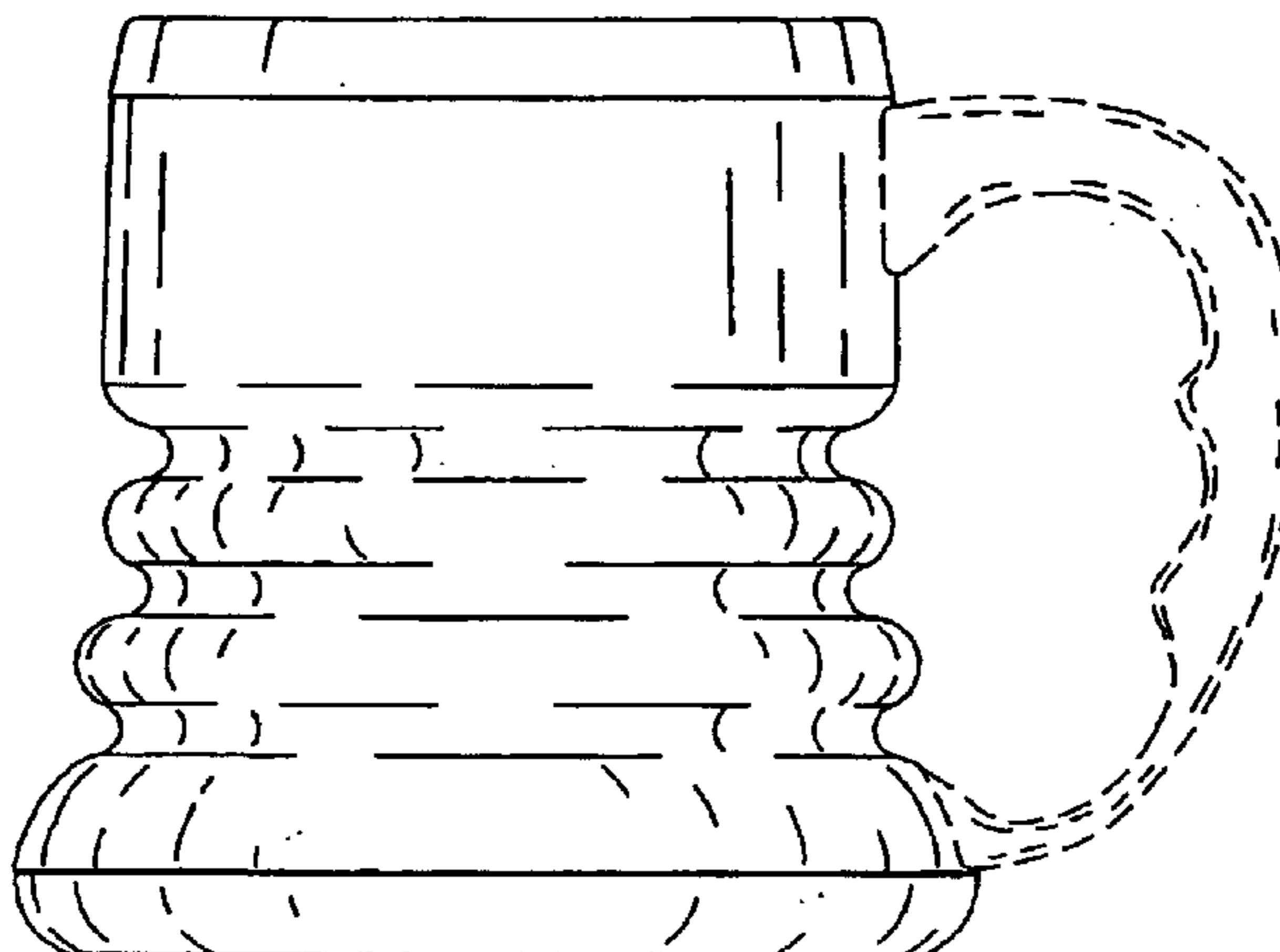
FIG. 10 is a front elevational view thereof;

FIG. 11 is a top plan view thereof; and,

FIG. 12 is a bottom plan view thereof.

The broken line showing of a lid in FIGS. 1 and 7 and of a handle in FIGS. 7-12, is for illustrative purposes only and forms no part of the claimed design.

1 Claim, 6 Drawing Sheets



US D503,073 S

Page 2

U.S. PATENT DOCUMENTS

D347,763 S	6/1994	Kleckauskas et al.	
D359,196 S	6/1995	Nichols	
D362,369 S	9/1995	Bridges	
D363,415 S	10/1995	Carlson	
5,454,482 A	* 10/1995	Simon	220/713
D365,965 S	* 1/1996	Yeh	D7/536
D369,277 S	4/1996	Lin	
D376,073 S	* 12/1996	Griffin et al.	D7/622
D376,731 S	12/1996	Lin	
D387,619 S	12/1997	Gross et al.	
D388,509 S	* 12/1997	Hsiao	D23/332
D397,905 S	9/1998	Hsu	
D397,912 S	9/1998	Goessling, Jr.	
D398,815 S	9/1998	Hatsumoto et al.	
D400,401 S	11/1998	Lynd	
D406,011 S	2/1999	Hatsumoto et al.	
D407,946 S	4/1999	Brewer et al.	
D408,220 S	4/1999	Chomik	
D409,441 S	5/1999	Stephenson	
D410,174 S	5/1999	Sheu	
D412,088 S	* 7/1999	Otake	D7/510
D416,757 S	11/1999	Ginuntoli	
D417,591 S	12/1999	Roehrig	
D422,842 S	4/2000	Freed	
D424,878 S	5/2000	Freed	
D425,758 S	5/2000	Freed	
D426,109 S	6/2000	Freed	
D426,750 S	* 6/2000	Madden-Askew	D7/536
D427,489 S	7/2000	Henry	
D427,853 S	7/2000	Kohlhase	
D431,159 S	9/2000	Otake	
D432,359 S	* 10/2000	Madden-Askew	D7/536
D435,195 S	12/2000	Joergensen	
D436,294 S	1/2001	Marck	
D437,185 S	2/2001	Freed	
D439,473 S	3/2001	Lin	
D442,029 S	5/2001	Otake	
D442,436 S	5/2001	Kleckauskas et al.	
D445,001 S	7/2001	Lin	
D451,762 S	12/2001	Tessmer	
D456,214 S	* 4/2002	Wyche	D7/523
D457,395 S	5/2002	Gluck	
D458,082 S	6/2002	Gluck	
D460,324 S	7/2002	Norris et al.	
D460,661 S	7/2002	Norris et al.	
D462,875 S	9/2002	Norris et al.	
6,450,363 B1	9/2002	Lin	
D467,124 S	12/2002	Janky	
D468,588 S	1/2003	Norris et al.	
6,527,137 B1	3/2003	Kleckauskas et al.	
D472,425 S	4/2003	Hurlbut et al.	
D476,528 S	* 7/2003	Janky et al.	D7/536
D479,669 S	9/2003	Norris et al.	
D479,670 S	9/2003	Webb	
D479,671 S	9/2003	Gluck	
D480,916 S	* 10/2003	Norris et al.	D7/532
D480,917 S	10/2003	Holsinger et al.	
D480,918 S	10/2003	Belton et al.	
D480,919 S	10/2003	Bin	
D481,590 S	11/2003	Lin	
D481,591 S	11/2003	Lin	

* cited by examiner

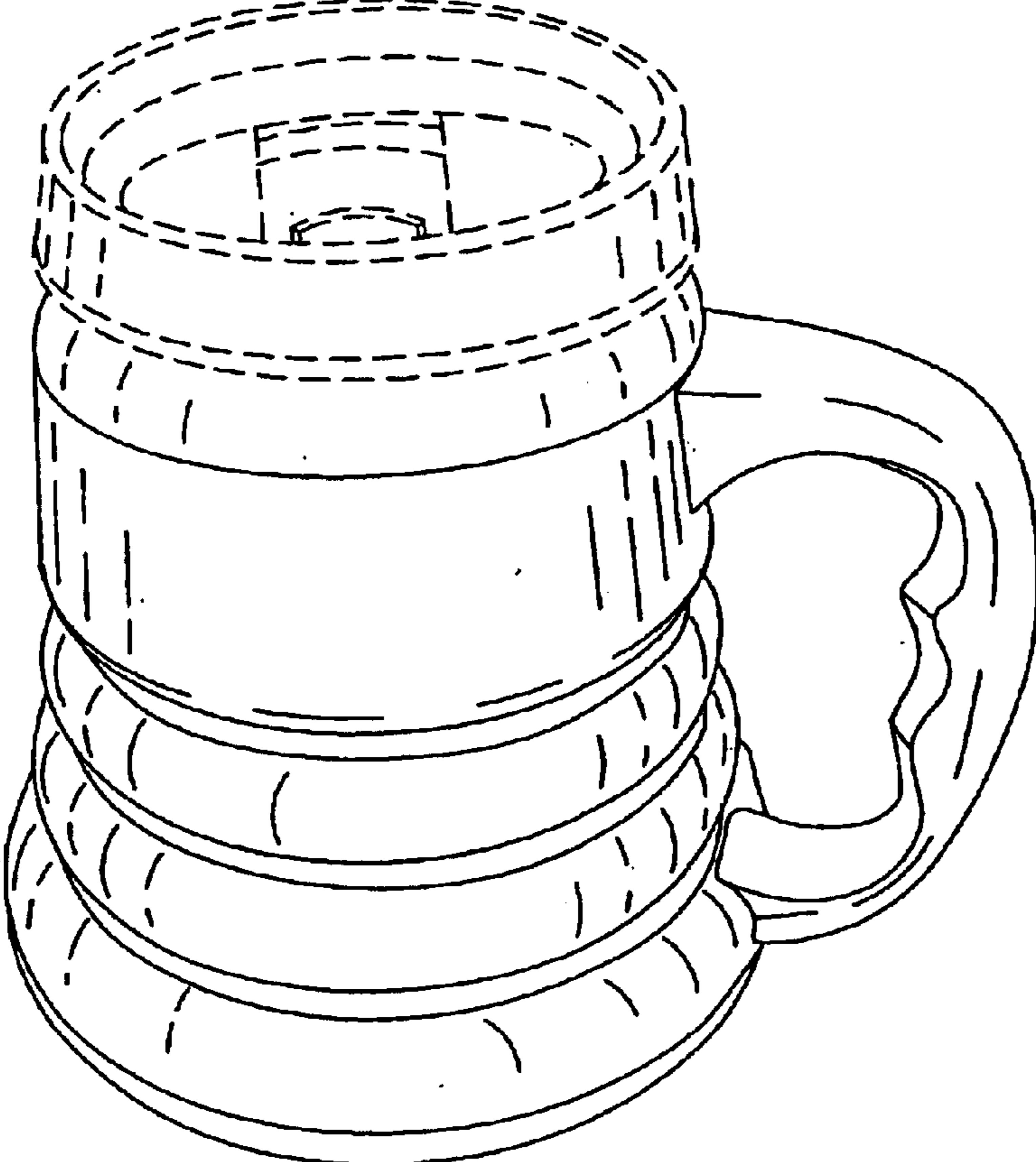


Fig. 1

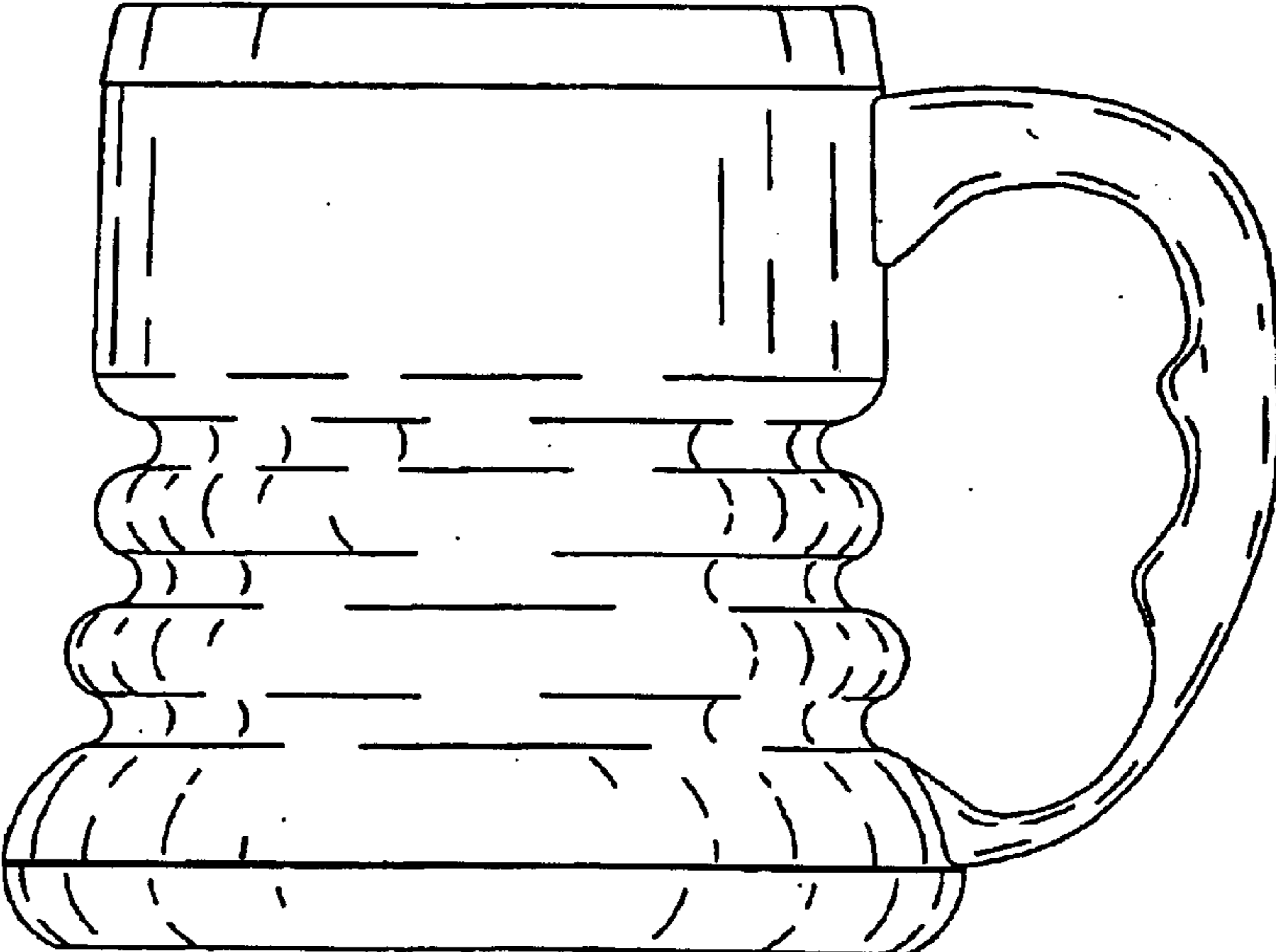


Fig. 2

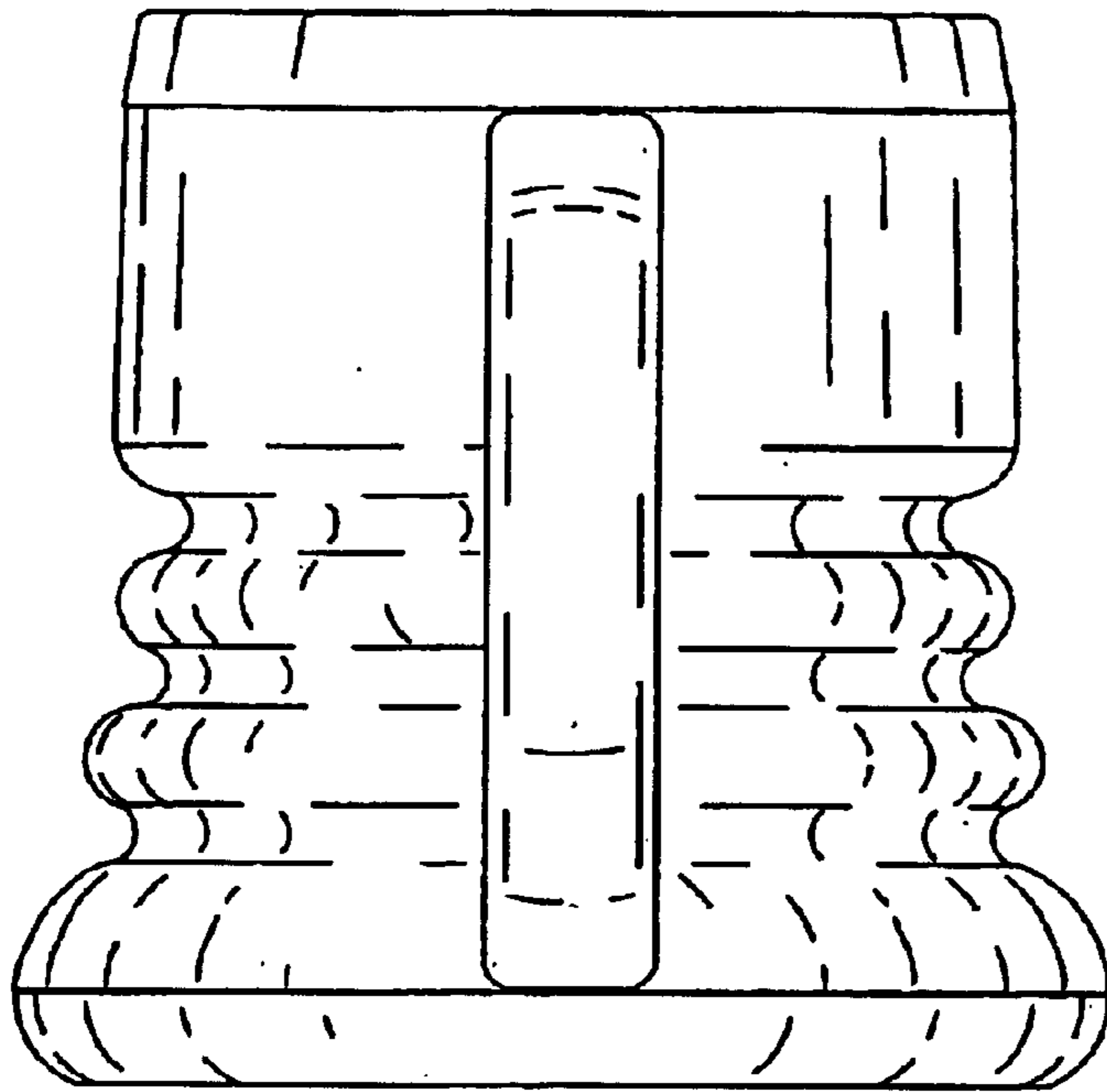


Fig. 3

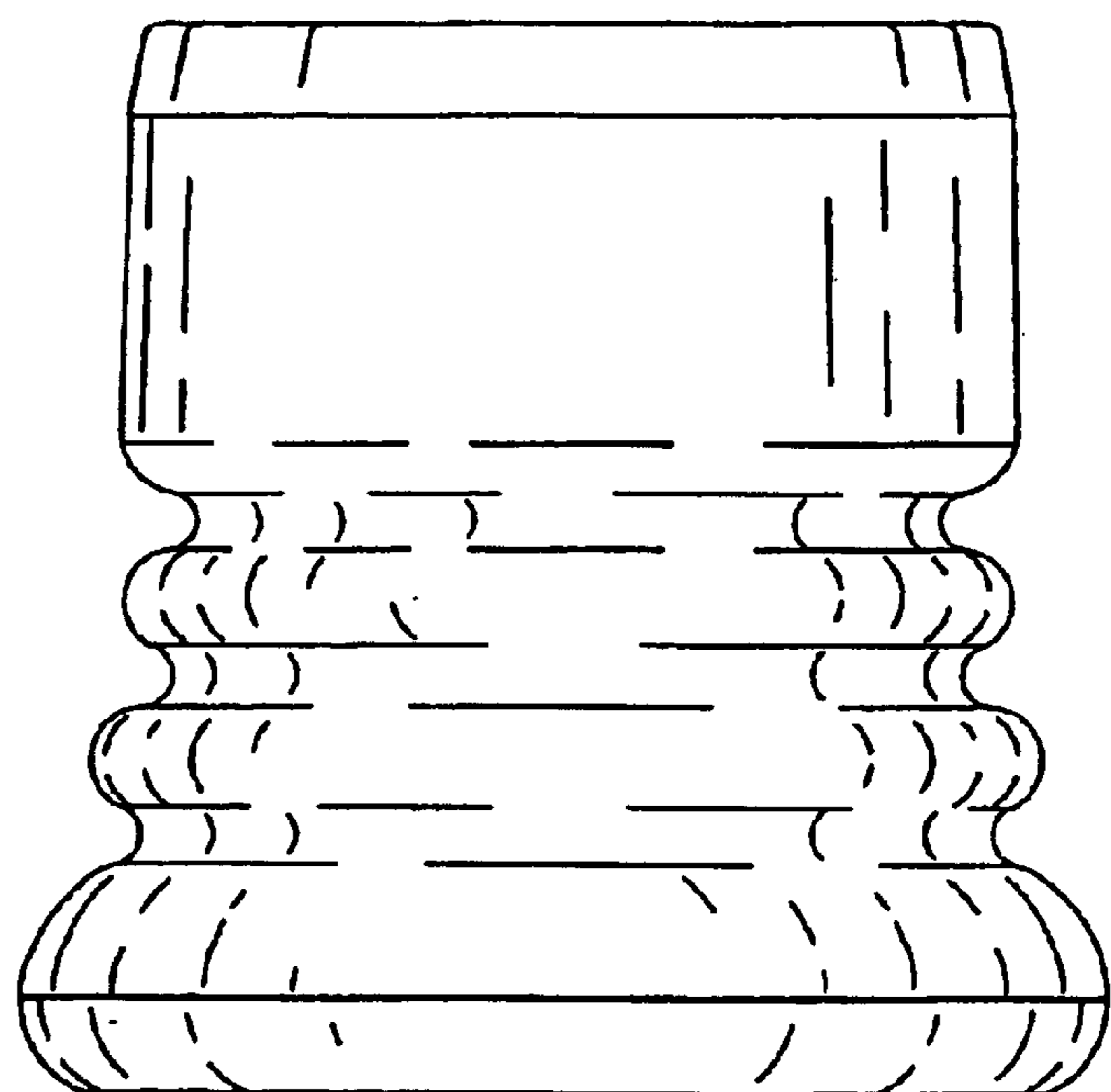


Fig. 4

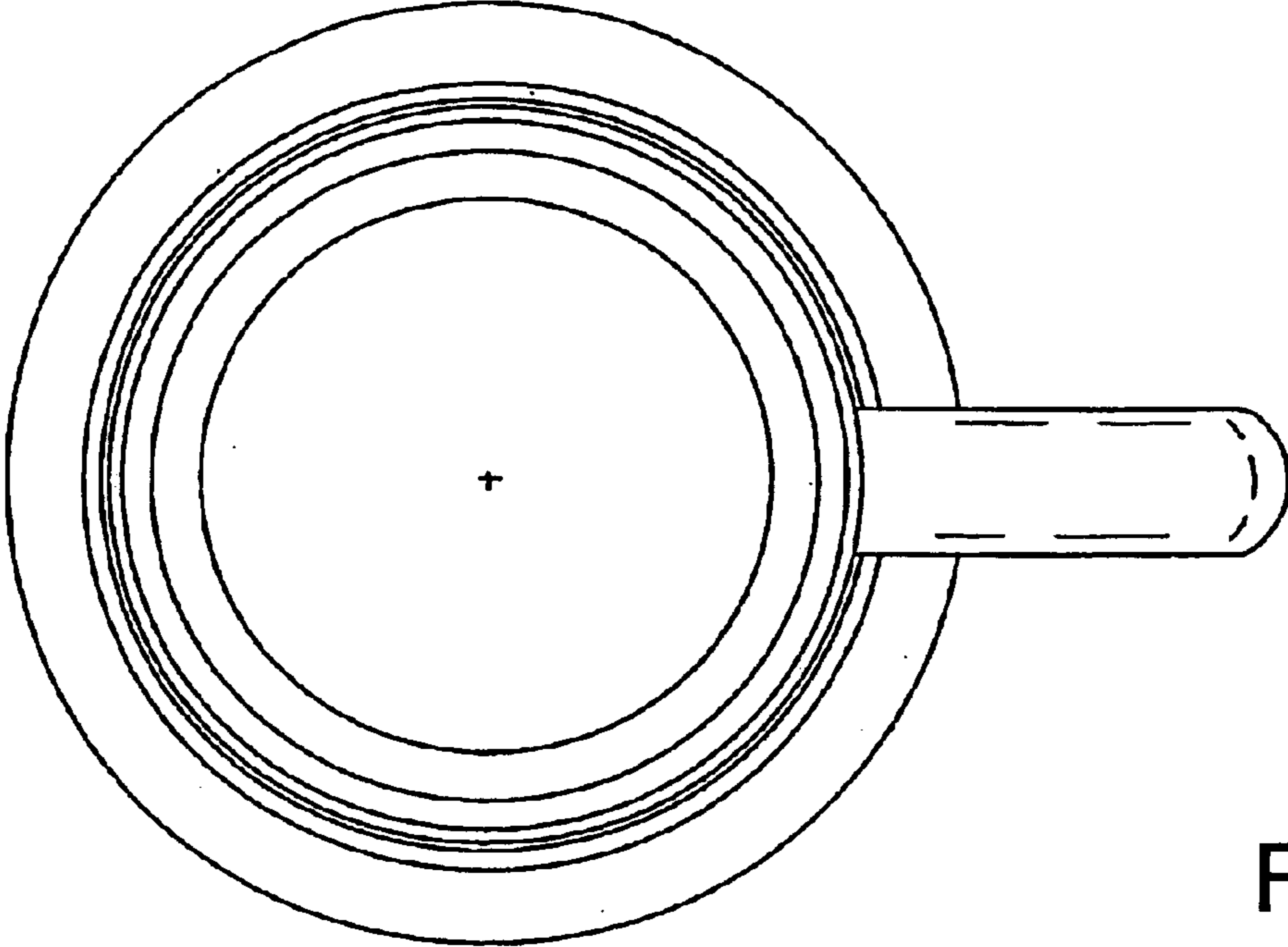


Fig. 5

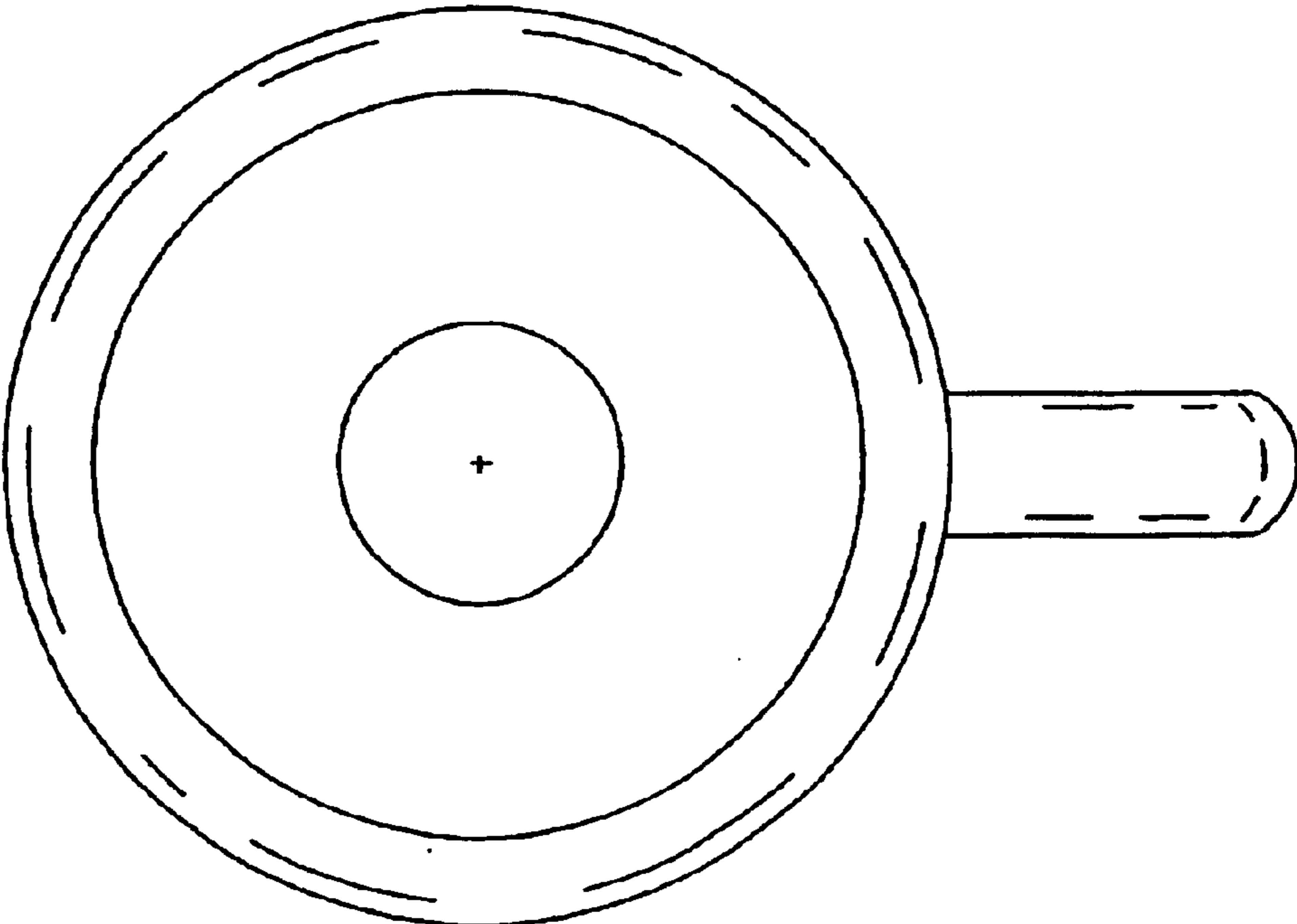


Fig. 6

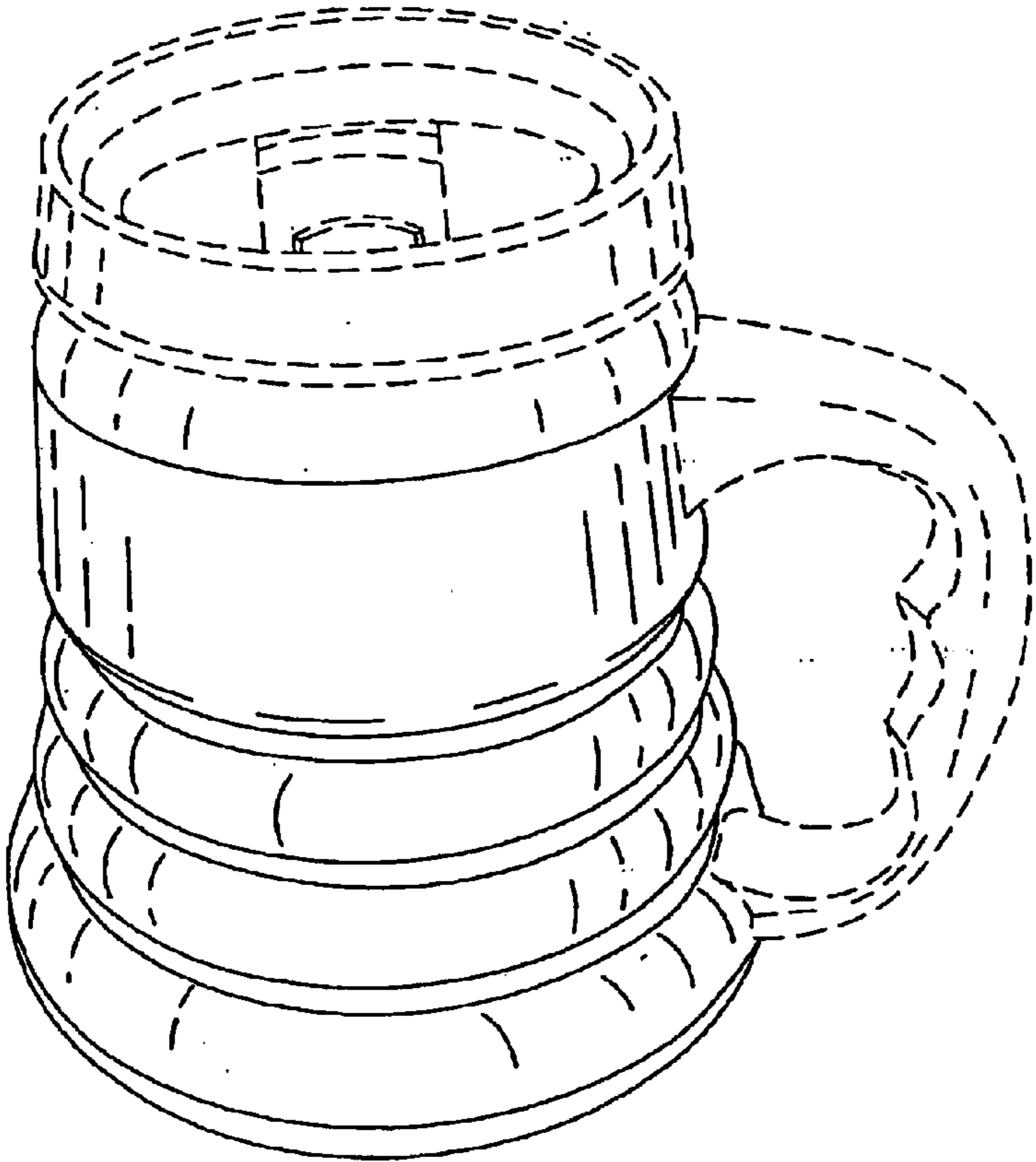


Fig. 7

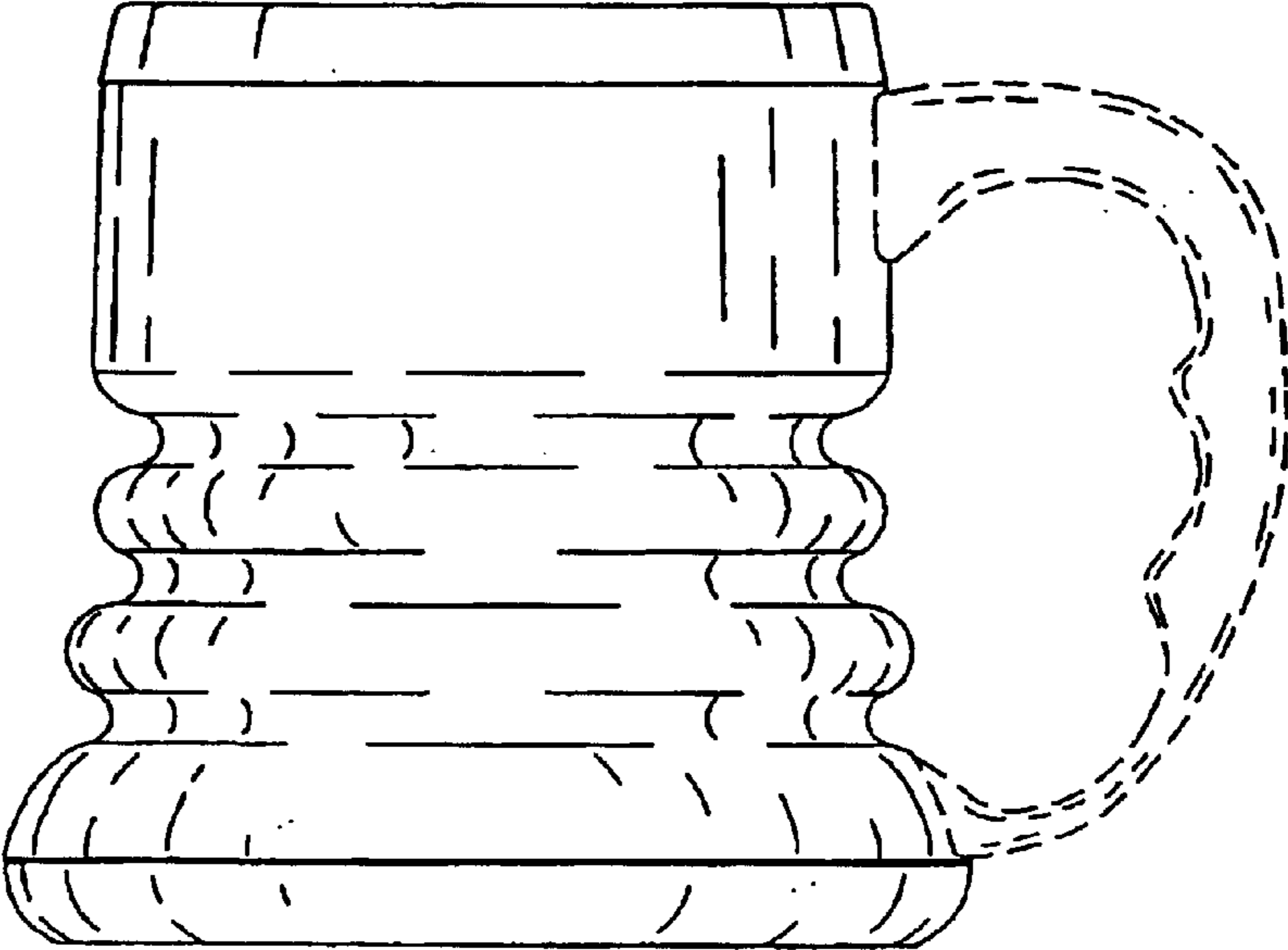


Fig. 8

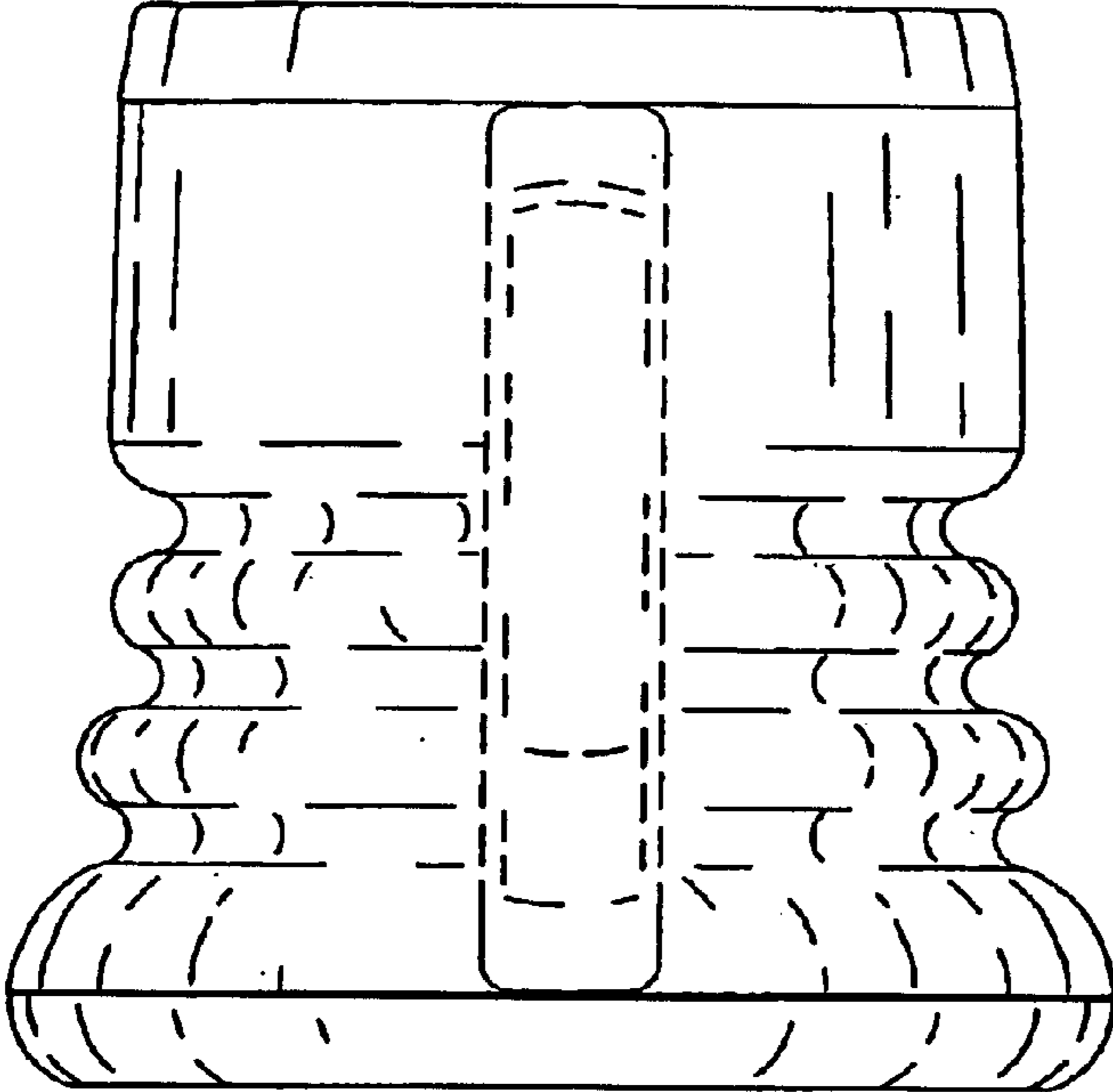


Fig. 9

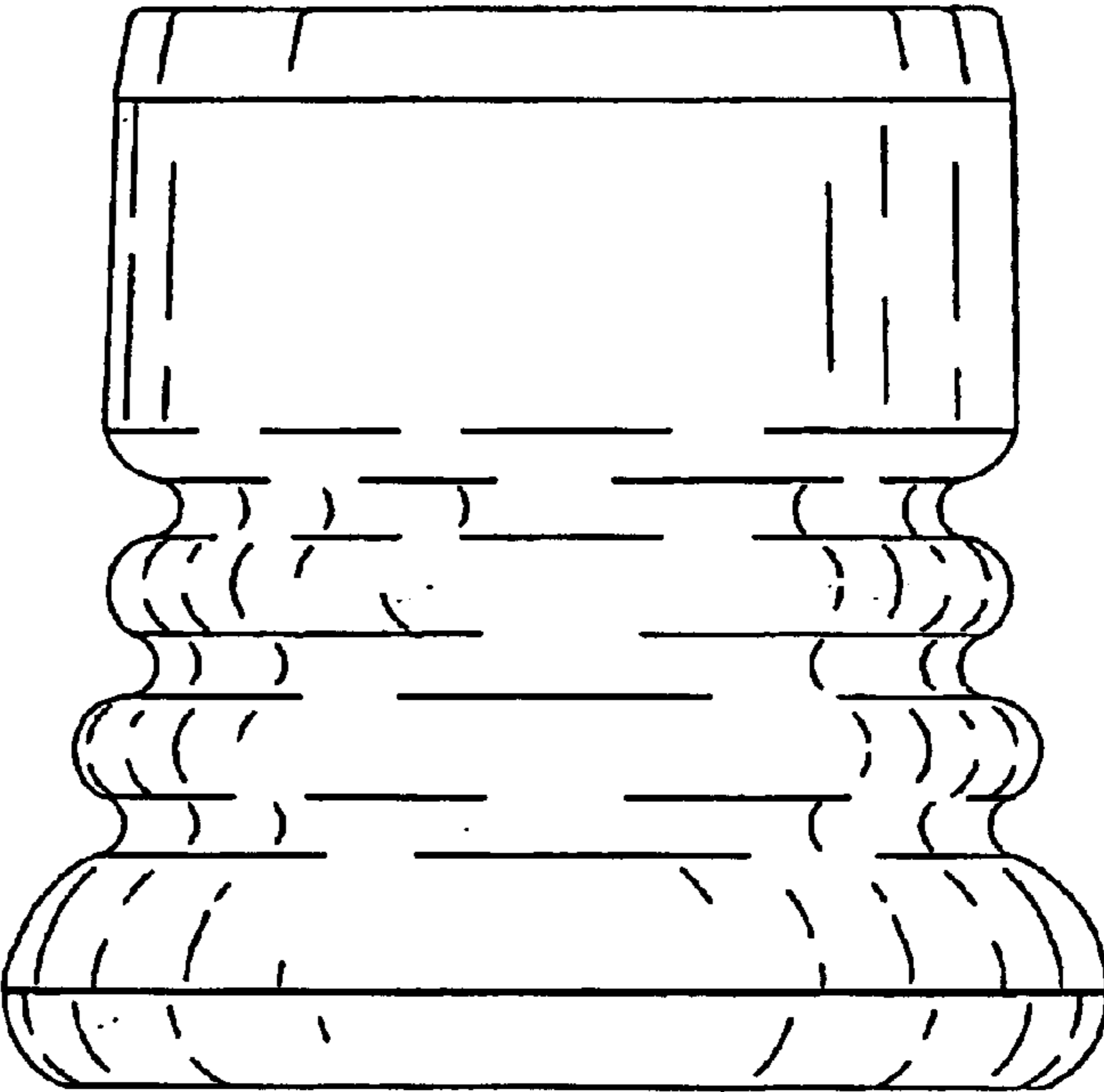


Fig. 10

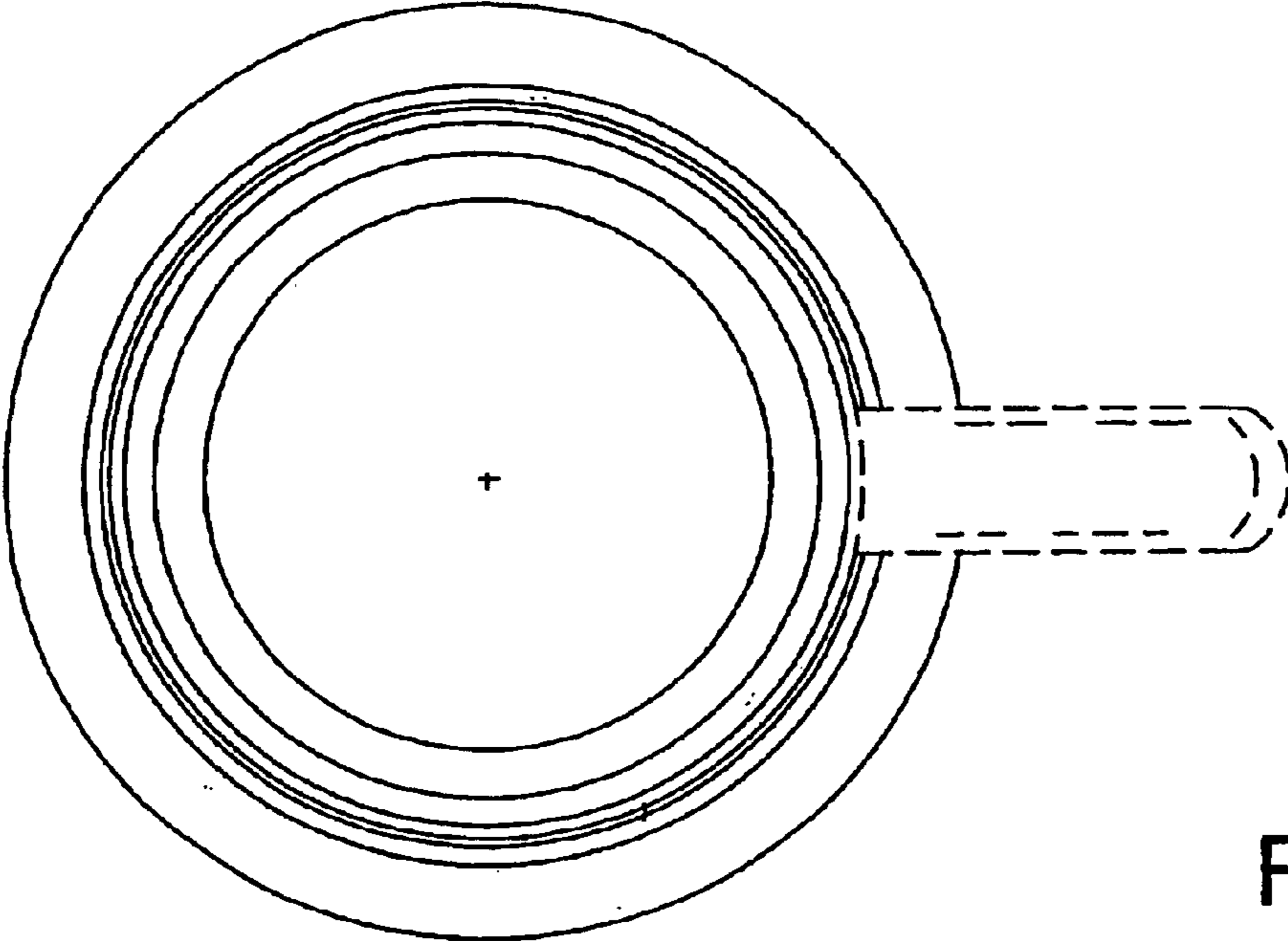


Fig. 11

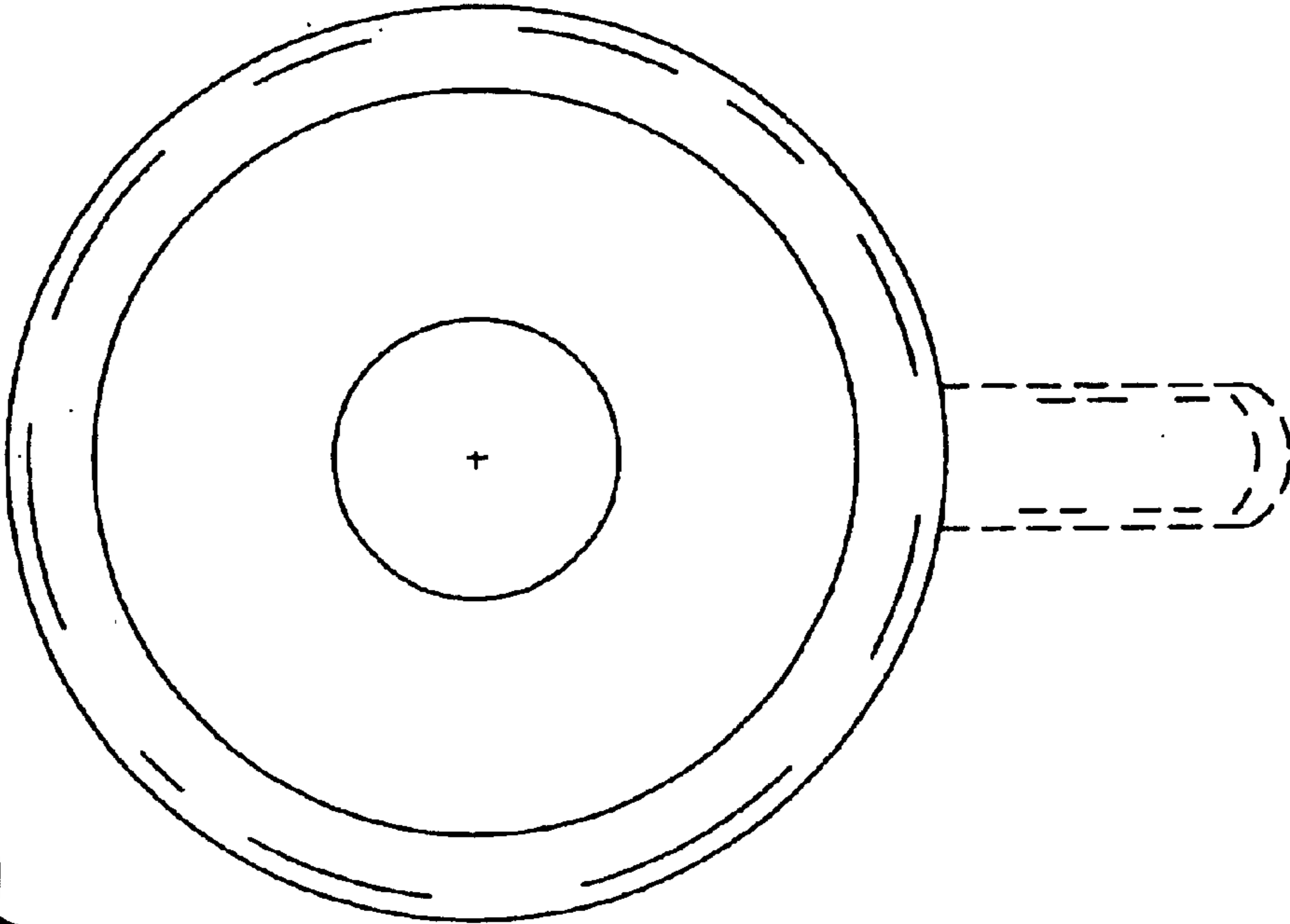


Fig. 12