

US00D503072S

(12) **United States Design Patent** (10) **Patent No.:** **US D503,072 S**  
**Norris et al.** (45) **Date of Patent:** **\*\* Mar. 22, 2005**

(54) **BEVERAGEWARE**

(75) Inventors: **Daniel A. Norris**, Williamsville, NY  
(US); **Ron Lapsker**, Maple (CA)

(73) Assignee: **Prosoft International, Inc.**, St. Michael  
(BB)

(\*\*) Term: **14 Years**

(21) Appl. No.: **29/197,274**

(22) Filed: **Jan. 13, 2004**

(51) **LOC (7) Cl.** ..... **07-01**

(52) **U.S. Cl.** ..... **D7/532; D7/536; D7/523**

(58) **Field of Search** ..... **D7/509, 533.5,**  
**D7/36, 532, 523, 510, 511, 394; 220/710.5,**  
**719, 729, 713, 23.86, 703, 737, 592.1;**  
**215/396, 398; 206/217, 527; 229/400; 294/31.2,**  
**33; 248/346.1, 205; D23/332**

(56) **References Cited**

**U.S. PATENT DOCUMENTS**

D29,252 S	8/1898	Bogert	
D70,476 S	6/1926	Heisey	
D73,031 S	7/1926	Heisey	
D94,000 S	12/1934	Sebring	
D96,566 S	8/1935	Straus	
2,028,566 A	* 1/1936	Seipel	294/31.2
D108,220 S	2/1938	Shapiro	
D108,957 S	3/1938	Kelly	
D112,799 S	1/1939	Watson	
D118,650 S	1/1940	Sawyer	
D120,134 S	* 4/1940	Morrison	D7/532
D120,226 S	4/1940	Lundy	
D124,317 S	12/1940	Lundy	
D155,289 S	* 9/1949	Hoople	D7/536
D170,409 S	9/1953	Harc	
D196,598 S	10/1963	Lewis	
D236,936 S	9/1975	Achenbach	
D243,816 S	3/1977	Achenbach	
D246,882 S	1/1978	Thrush	
D250,314 S	11/1978	Elliott et al.	
D277,821 S	3/1985	Nestrock	

D321,626 S	11/1991	Kouts	
D337,526 S	7/1993	Teo	
D347,763 S	6/1994	Kleckauskas et al.	
D359,196 S	6/1995	Nichols	
D362,369 S	9/1995	Bridges	
D363,415 S	10/1995	Carlson	
D369,277 S	4/1996	Lin	
D372,839 S	* 8/1996	Laib	D7/536
D376,731 S	12/1996	Lin	
D387,619 S	12/1997	Gross et al.	
D388,509 S	12/1997	Hsiao	

(List continued on next page.)

*Primary Examiner*—M. N. Pandozzi

(74) *Attorney, Agent, or Firm*—Hodgson Russ LLP

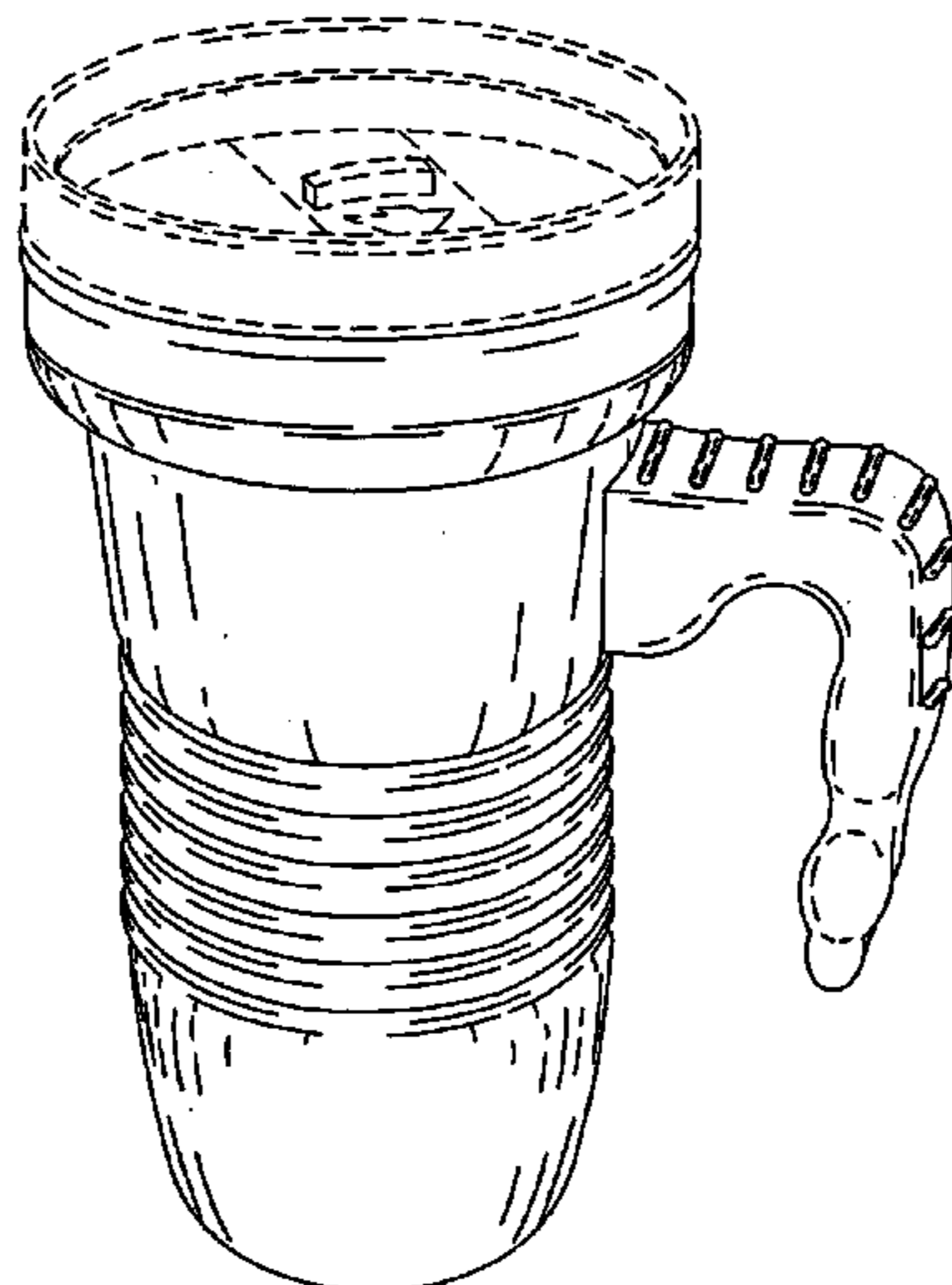
(57) **CLAIM**

The ornamental design for beverageware, as shown and described.

**DESCRIPTION**

FIG. 1 is a perspective view of beverageware showing our new design;  
 FIG. 2 is a right-hand side elevational view thereof, the left-hand side view thereof being a mirror image of the side shown;  
 FIG. 3 is a rear elevational view thereof;  
 FIG. 4 is a front elevational view thereof;  
 FIG. 5 is a top plan view thereof;  
 FIG. 6 is a bottom plan view thereof;  
 FIG. 7 is a perspective view of an alternate embodiment of the present invention;  
 FIG. 8 is a right-hand side elevational view thereof, the left-hand side view thereof being a mirror image of the side shown;  
 FIG. 9 is a rear elevational view thereof;  
 FIG. 10 is a front elevational view thereof;  
 FIG. 11 is a top plan view thereof; and,  
 FIG. 12 is a bottom plan view thereof.  
 The broken line showing of a lid in FIGS. 1 and 7 and of a handle in FIGS. 7-12, is for illustrative purposes only and forms no part of the claimed design.

**1 Claim, 8 Drawing Sheets**



# US D503,072 S

Page 2

## U.S. PATENT DOCUMENTS

D397,905 S	9/1998	Hsu	
D397,912 S	9/1998	Goessling, Jr.	
D398,815 S	9/1998	Hatsumoto et al.	
D400,401 S	11/1998	Lynd	
D406,011 S	2/1999	Hatsumoto et al.	
D407,946 S	4/1999	Brewer et al.	
D408,220 S	4/1999	Chomik	
D409,441 S	5/1999	Stephenson	
D410,174 S	5/1999	Sheu	
D412,088 S	7/1999	Otake	
D416,757 S	11/1999	Ginuntoli	
D417,591 S	12/1999	Roehrig	
D422,842 S	* 4/2000	Freed .....	D7/533
D424,878 S	5/2000	Freed	
D425,758 S	5/2000	Freed	
D426,109 S	6/2000	Freed	
D426,750 S	6/2000	Madden-Askew	
D427,489 S	7/2000	Henry	
D427,853 S	7/2000	Kohlhase	
D429,959 S	* 8/2000	Otake .....	D7/510
D431,159 S	* 9/2000	Otake .....	D7/510
D432,359 S	10/2000	Madden-Askew	
D435,195 S	12/2000	Joergensen	
D436,294 S	1/2001	Marck	
D437,185 S	* 2/2001	Freed .....	D7/510
D439,473 S	3/2001	Lin	
D442,029 S	5/2001	Otake	
D442,436 S	5/2001	Kleckauskas et al.	
D445,001 S	7/2001	Lin	
D451,762 S	12/2001	Tessmer	
D456,214 S	4/2002	Wyche	
D458,082 S	* 6/2002	Gluck .....	D7/510
D460,324 S	* 7/2002	Norris et al. ....	D7/533
D460,661 S	* 7/2002	Norris et al. ....	D7/533
D462,575 S	* 9/2002	Gluck .....	D7/510
D462,578 S	* 9/2002	Janky .....	D7/533
D462,875 S	* 9/2002	Norris et al. ....	D7/533
D468,588 S	* 1/2003	Norris et al. ....	D7/532
D479,437 S	* 9/2003	Gluck .....	D7/523
D479,669 S	* 9/2003	Norris et al. ....	D7/532
D481,591 S	* 11/2003	Lin .....	D7/533
D482,933 S	* 12/2003	Norris et al. ....	D7/533
D483,226 S	* 12/2003	Belton et al. ....	D7/533

\* cited by examiner

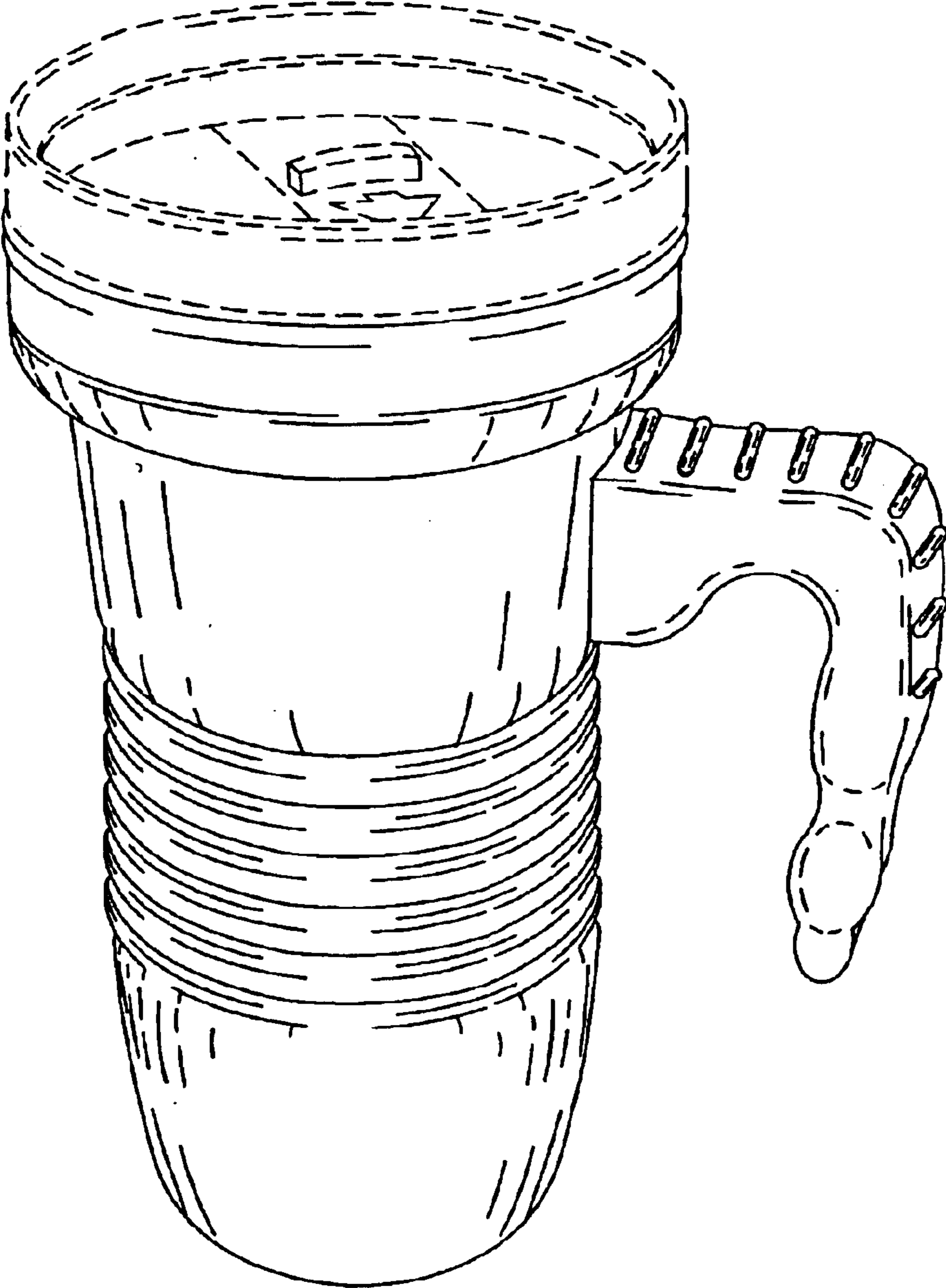


Fig. 1

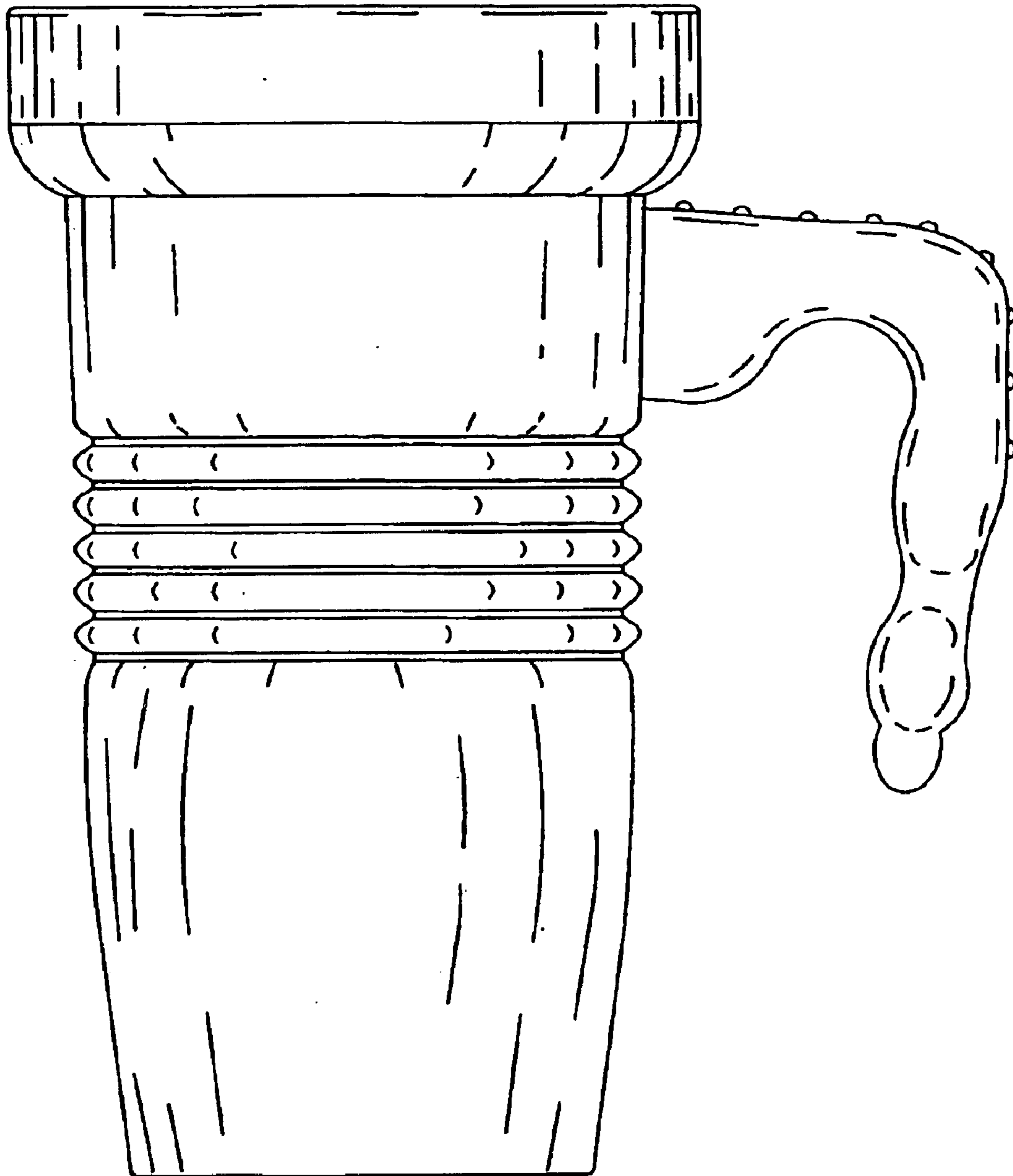


Fig. 2

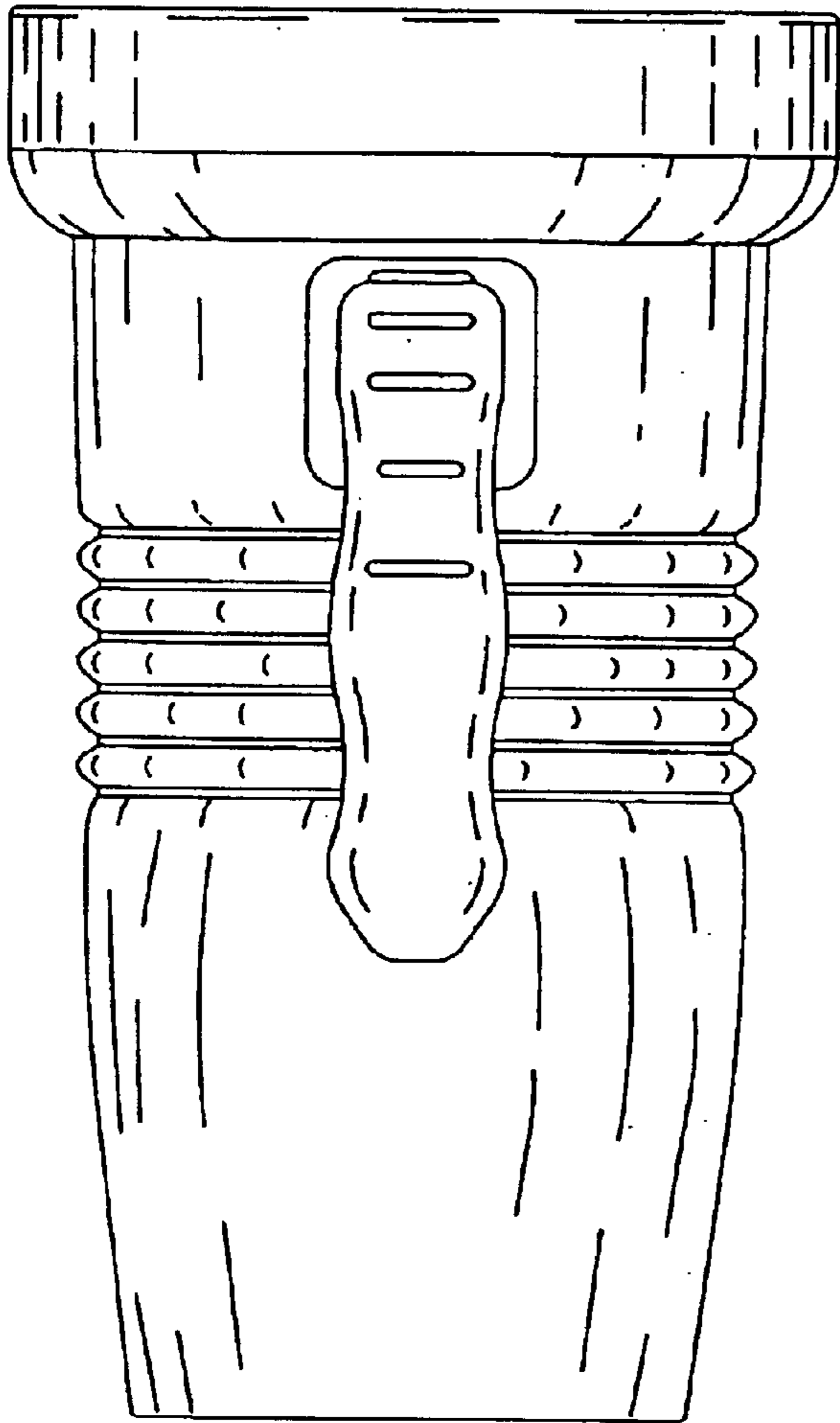


Fig. 3

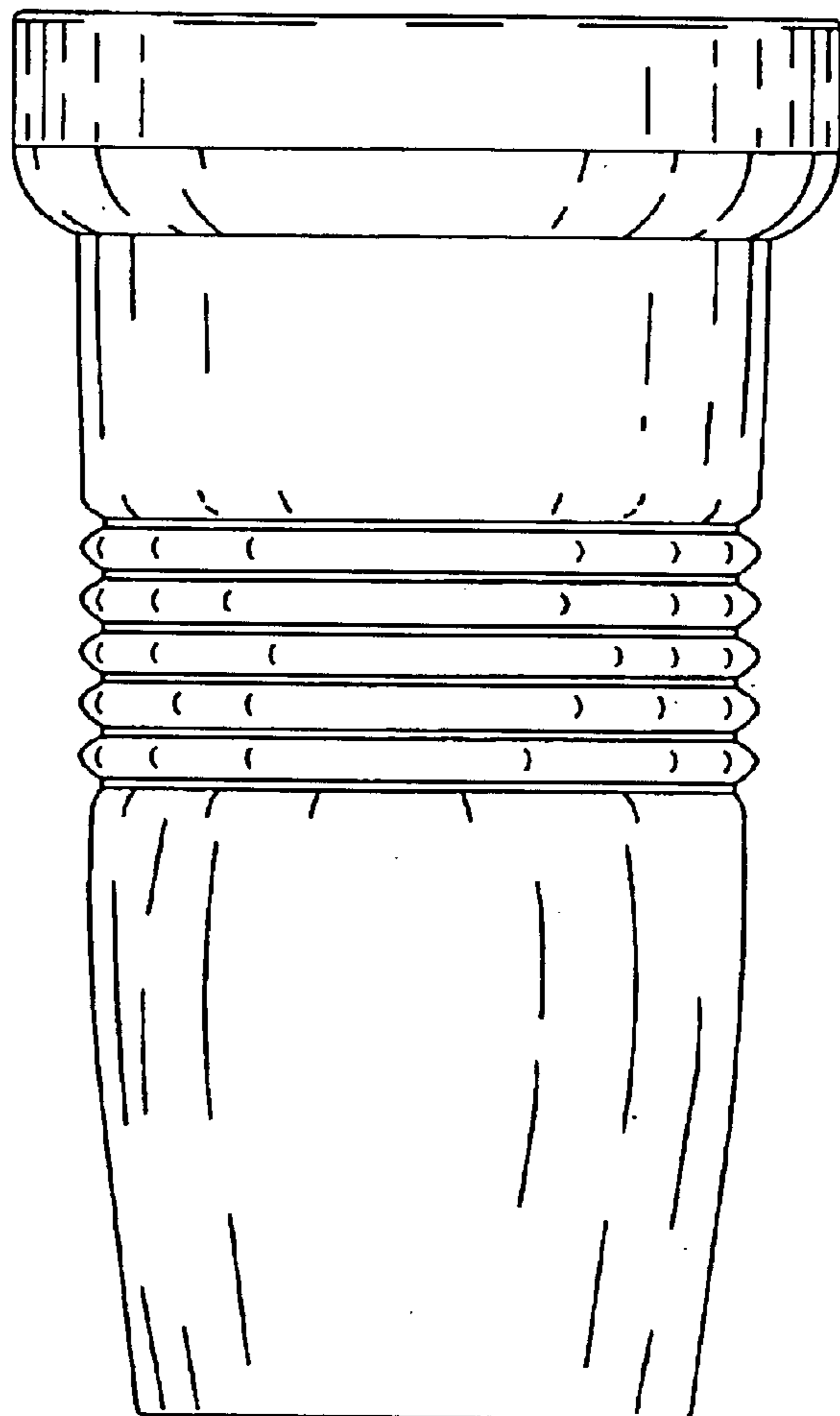


Fig. 4



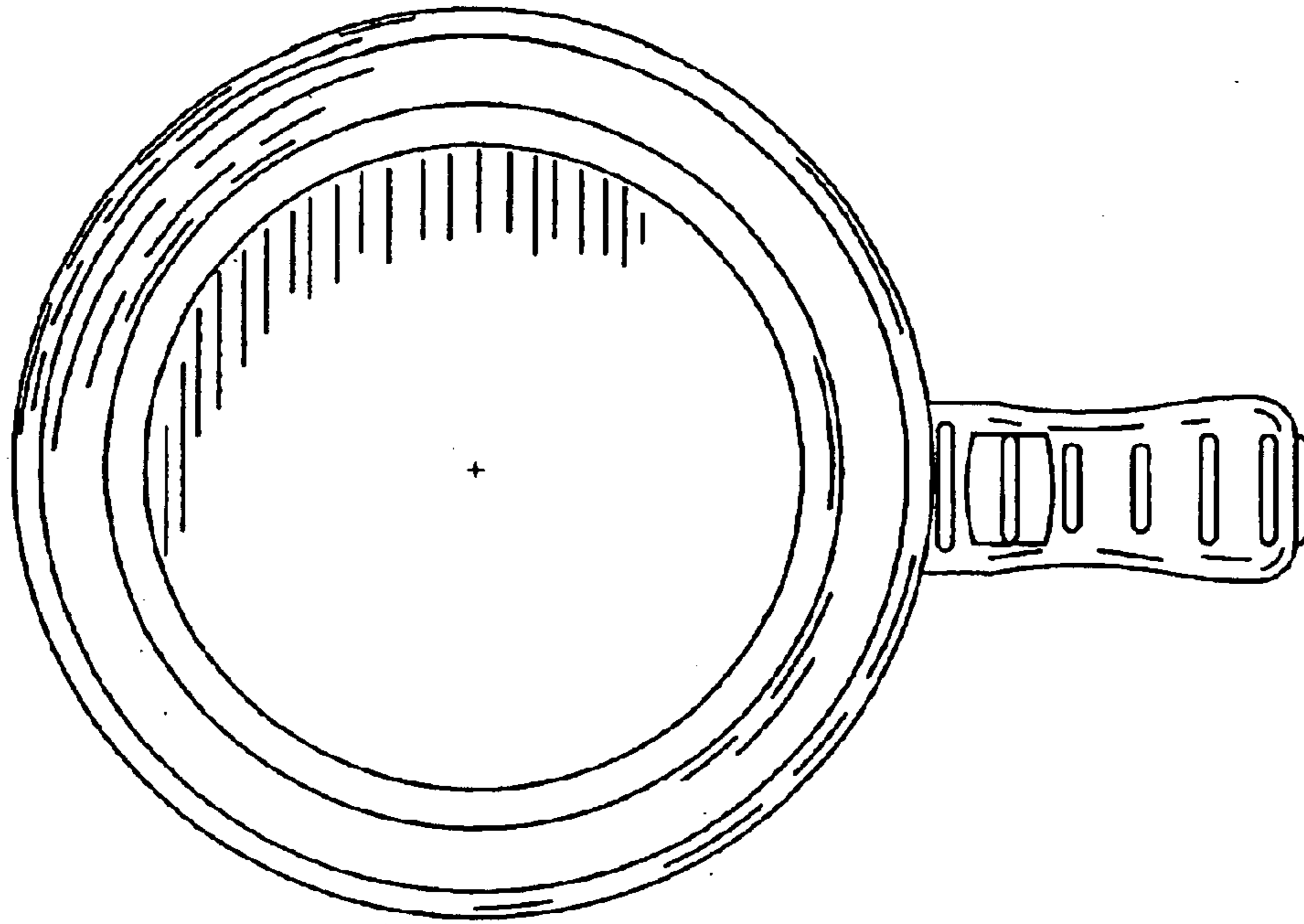


Fig. 5

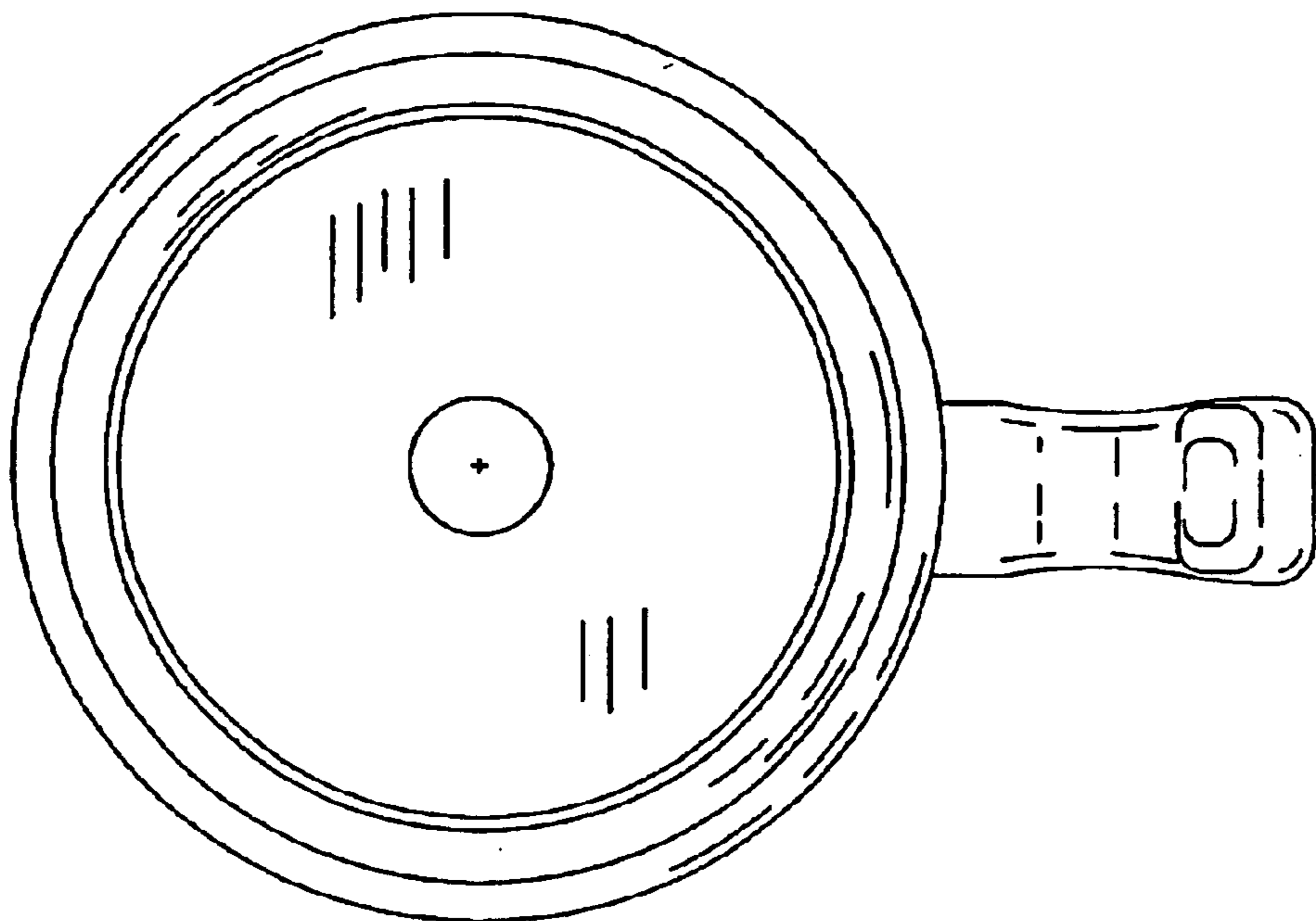


Fig. 6

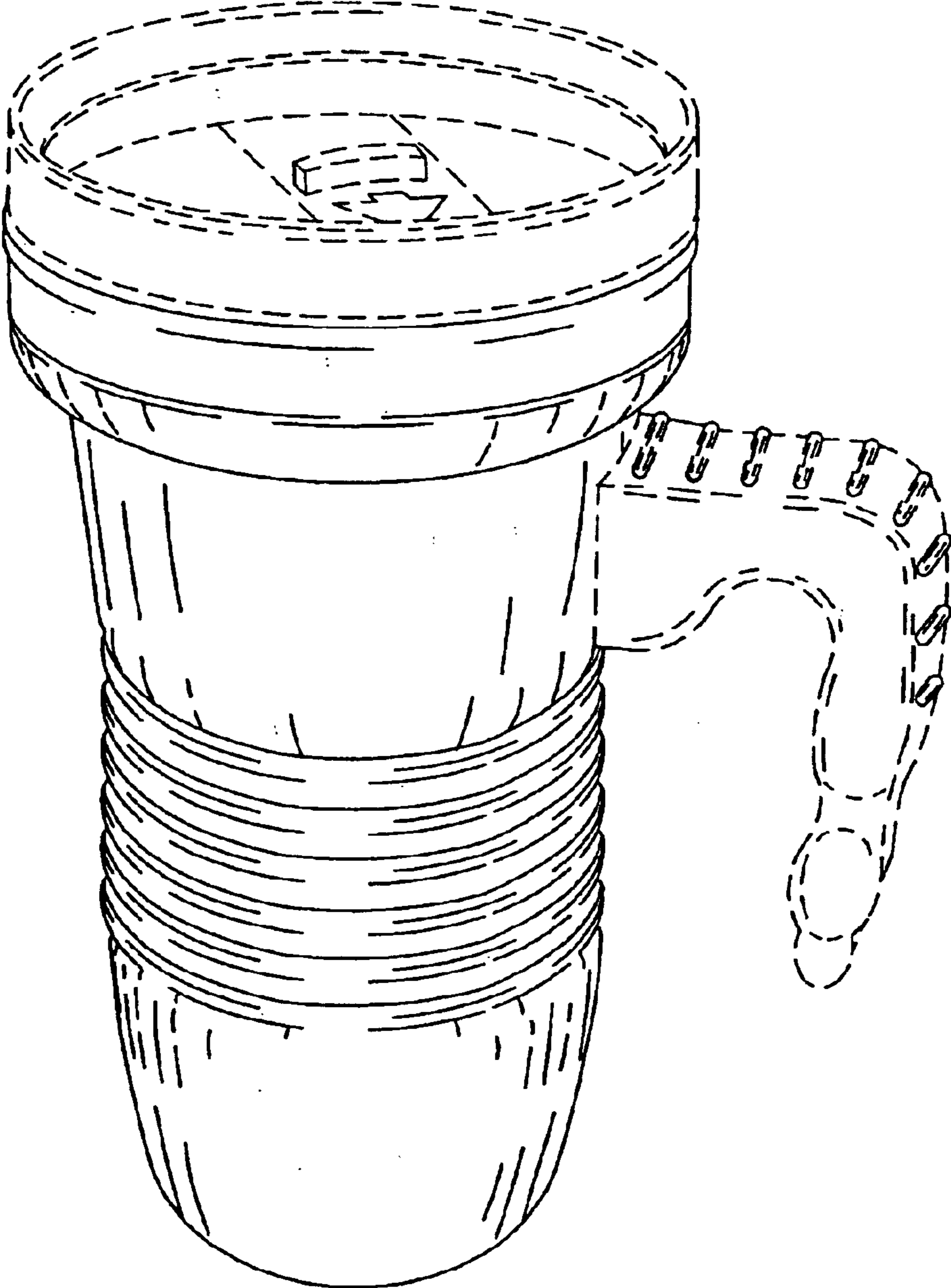


Fig. 7

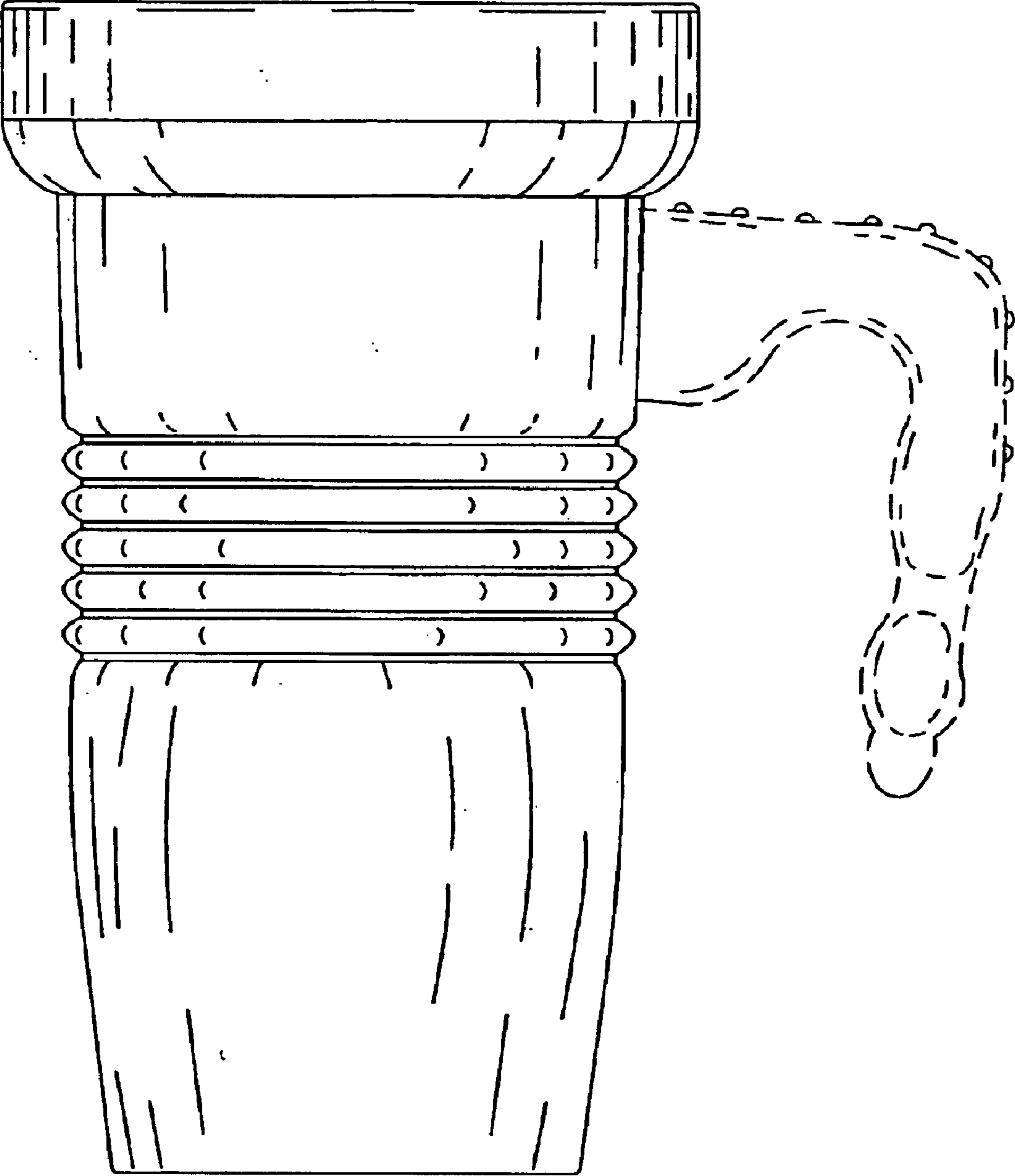


Fig. 8



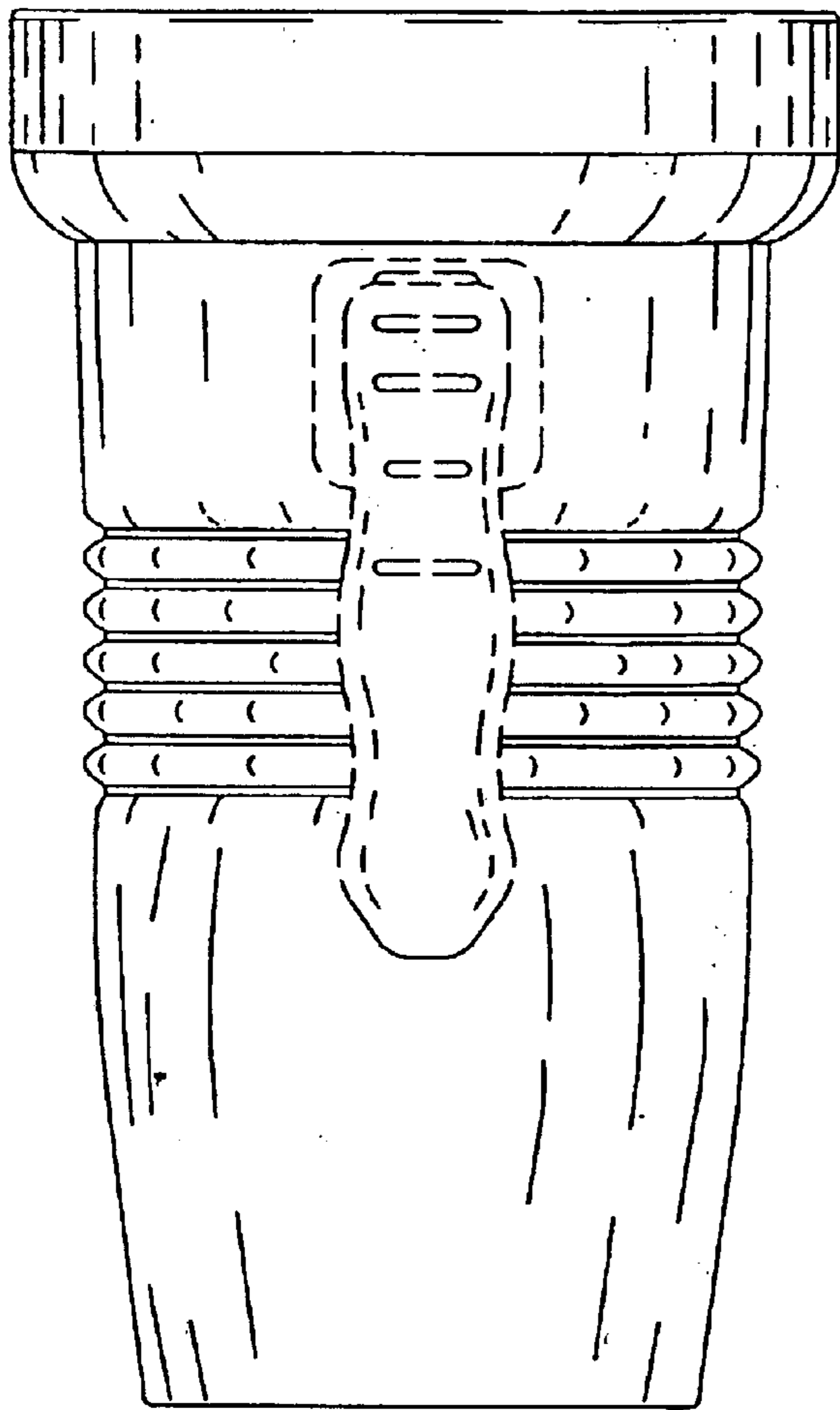


Fig. 9

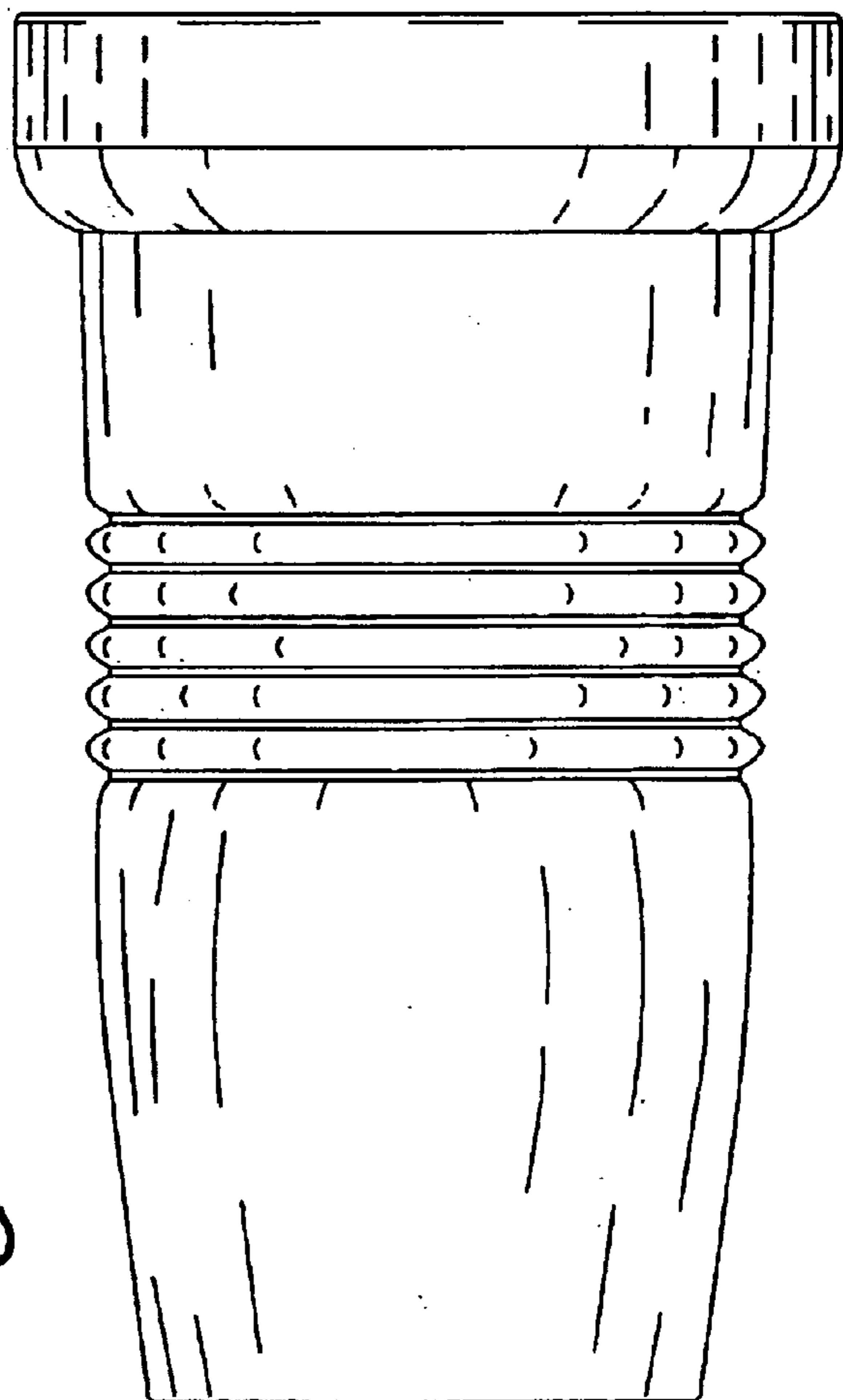


Fig. 10

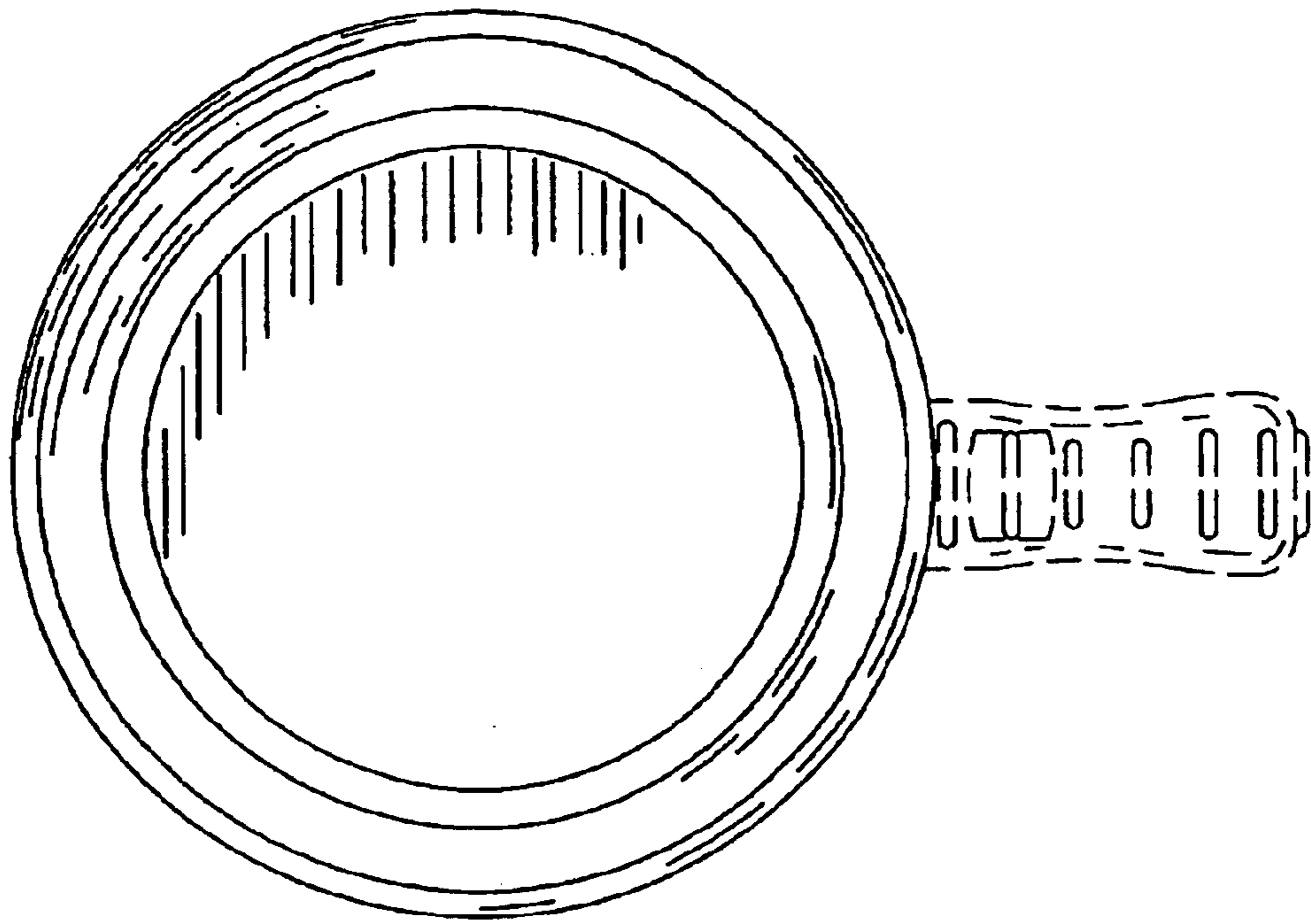


Fig. 11

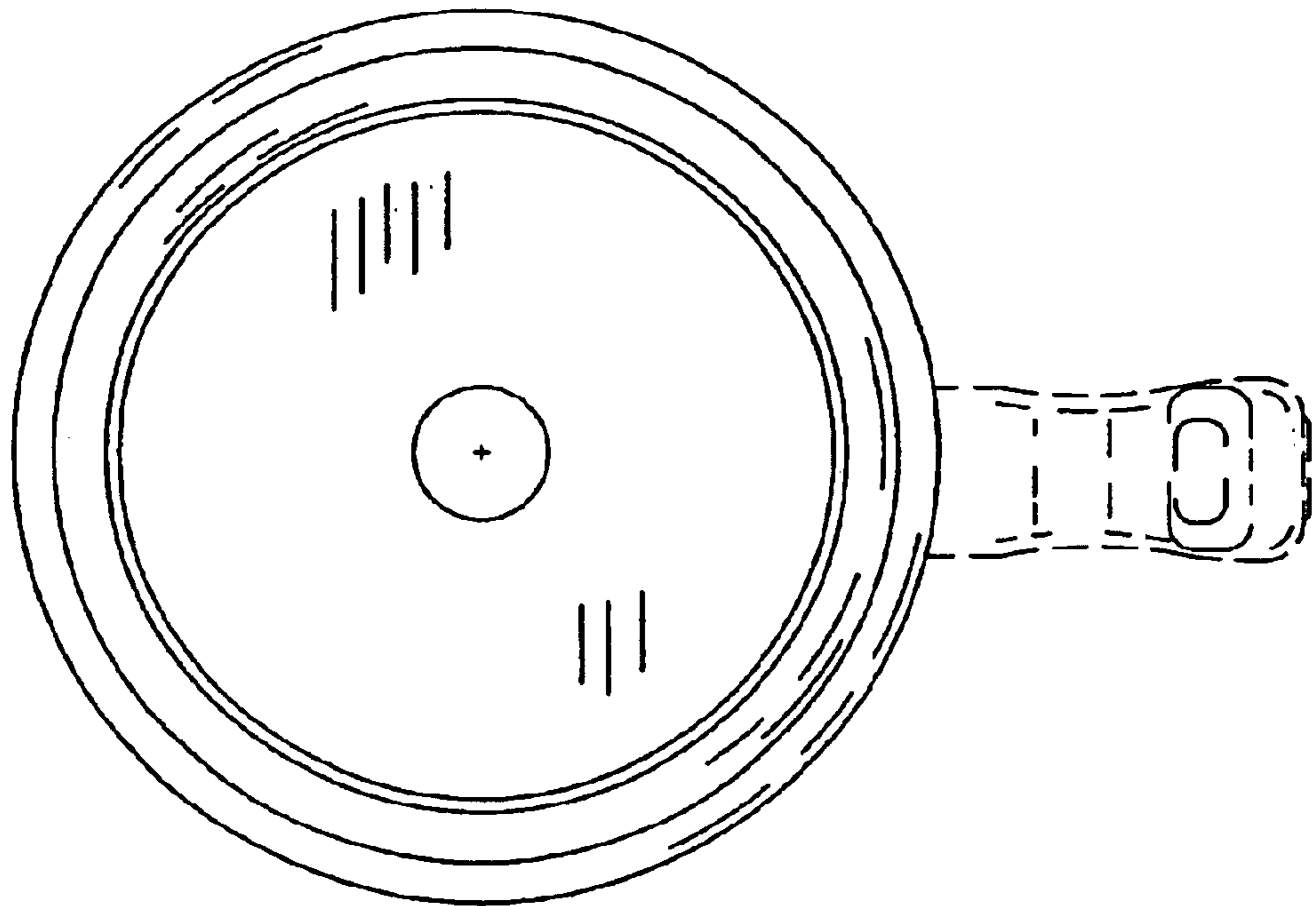


Fig. 12

UNITED STATES PATENT AND TRADEMARK OFFICE  
**CERTIFICATE OF CORRECTION**

PATENT NO. : Des. 503,072 S  
DATED : March 22, 2005  
INVENTOR(S) : Norris et al.

Page 1 of 1

It is certified that error appears in the above-identified patent and that said Letters Patent is hereby corrected as shown below:

Title page.

Item [56], **References Cited**, U.S. PATENT DOCUMENTS, add

-- 2,717,619 09/1955 Whitman  
2,747,387 05/1956 Sweem  
D457,395 05/2002 Gluck  
6,450,363 09/2002 Lin  
D467,124 12/2002 Janky  
6,527,137 03/2003 Kleckauskas et al.  
D472,425 04/2003 Hurlbut et al.  
D479,670 09/2003 Webb  
D479,671 09/2003 Gluck  
D480,916 10/2003 Norris et al. --

Signed and Sealed this

Thirty-first Day of May, 2005

A handwritten signature in black ink on a dotted background. The signature reads "Jon W. Dudas" in a cursive style.

JON W. DUDAS

*Director of the United States Patent and Trademark Office*