



US00D503071S

(12) **United States Design Patent** (10) **Patent No.:** **US D503,071 S**
Lu (45) **Date of Patent:** **** Mar. 22, 2005**

(54) **HANDLE FOR BARBEQUE UTENSILS**

(75) Inventor: **James Lu**, Alpharetta, GA (US)

(73) Assignee: **International Business Corporation**, Alpharetta, GA (US)

(**) Term: **14 Years**

(21) Appl. No.: **29/199,603**

(22) Filed: **Feb. 19, 2004**

(51) **LOC (7) Cl.** **07-02**

(52) **U.S. Cl.** **D7/395**

(58) **Field of Search** D7/393, 395, 401.2, D7/680-696, 642-664; D8/107; 16/110.1, 430, 431, 436, 441, 444; 30/322-328; 294/7, 8, 55, 55.5

(56) **References Cited**

U.S. PATENT DOCUMENTS

D447,385 S	*	9/2001	Saunders et al.	D7/395
D459,943 S	*	7/2002	Richied et al.	D7/395
D477,504 S	*	7/2003	Rowe et al.	D7/686
6,584,692 B1	*	7/2003	Stills et al.	D7/683

* cited by examiner

Primary Examiner—Terry A. Wallace

(74) *Attorney, Agent, or Firm*—Rodgers & Rodgers

(57) **CLAIM**

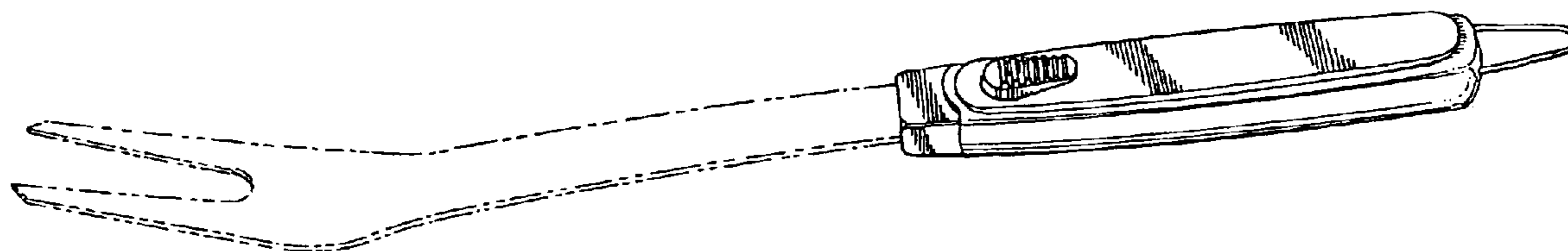
The ornamental design for a handle for barbeque utensils, as shown and described.

DESCRIPTION

FIG. 1 is a perspective view of a first embodiment of a handle for barbeque utensils showing my new design;

FIG. 2 is a top plan view thereof;
 FIG. 3 is a bottom plan view thereof;
 FIG. 4 is front elevational view thereof, the rear being a mirror image thereof;
 FIG. 5 is a perspective view of the second embodiment of the handle for barbeque utensils;
 FIG. 6 is a top plan view thereof;
 FIG. 7 is a bottom plan view thereof;
 FIG. 8 is a front elevational view thereof, the rear being a mirror image thereof;
 FIG. 9 is a perspective view of a third embodiment of the handle for barbeque utensils;
 FIG. 10 is a top plan view thereof;
 FIG. 11 is a bottom plan view thereof;
 FIG. 12 is a front elevational view thereof, the rear being a mirror image thereof;
 FIG. 13 is a perspective view of the fourth embodiment of the handle for barbeque utensils;
 FIG. 14 is a top pan view thereof;
 FIG. 15 is a bottom plan view thereof;
 FIG. 16 is a front elevational view thereof, the rear being a mirror image thereof;
 FIG. 17 is a perspective view of the fifth embodiment of the handle for barbeque utensils;
 FIG. 18 is a front elevational view thereof, the rear being a mirror image thereof;
 FIG. 19 is a top plan view thereof, the bottom being identical in appearance;
 FIG. 20 is a left side elevational view of the handle for barbeque utensils; and,
 FIG. 21 is a right side elevational view of the handle for barbeque utensils.
 The broken lines are for illustrative purposes only and form no part of the claimed ornamental design for a handle for barbeque utensils.

1 Claim, 8 Drawing Sheets



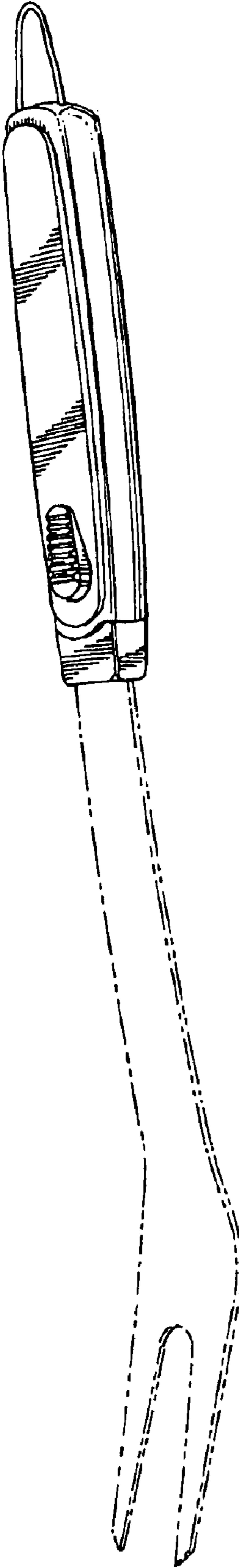


FIG. 1

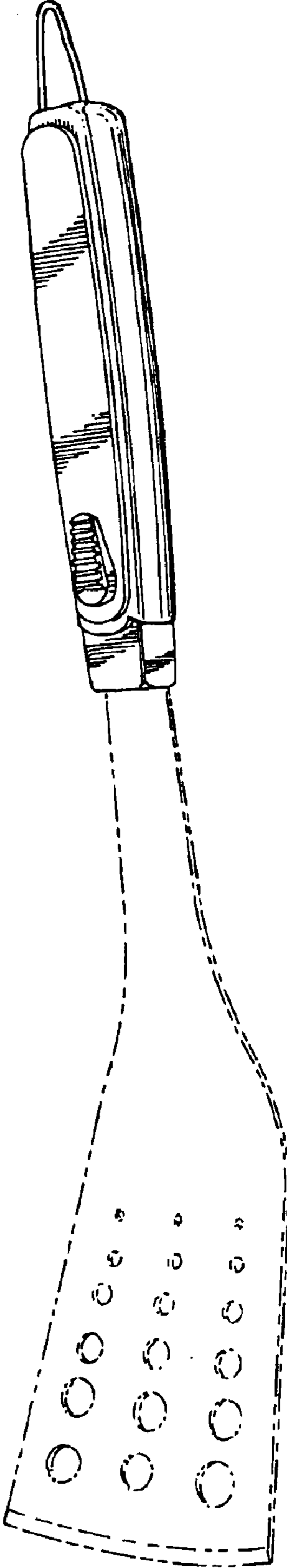


FIG. 5

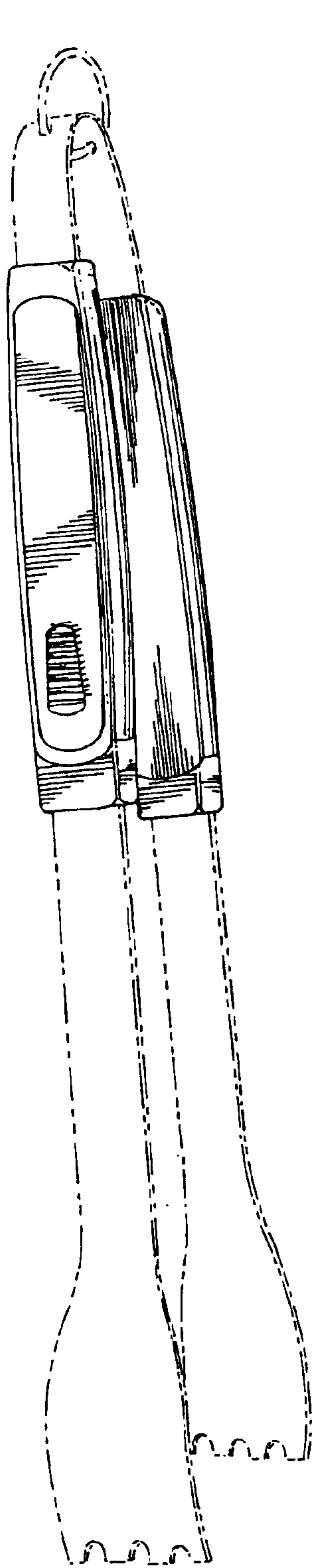


FIG. 17

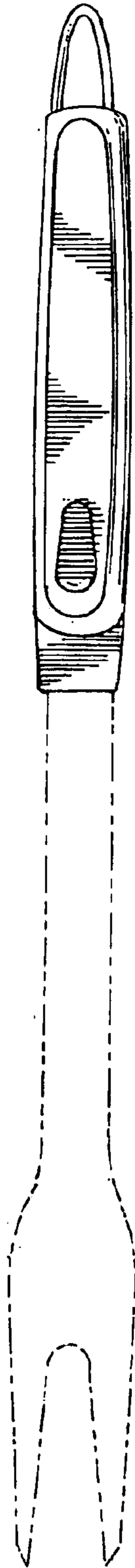


FIG. 2

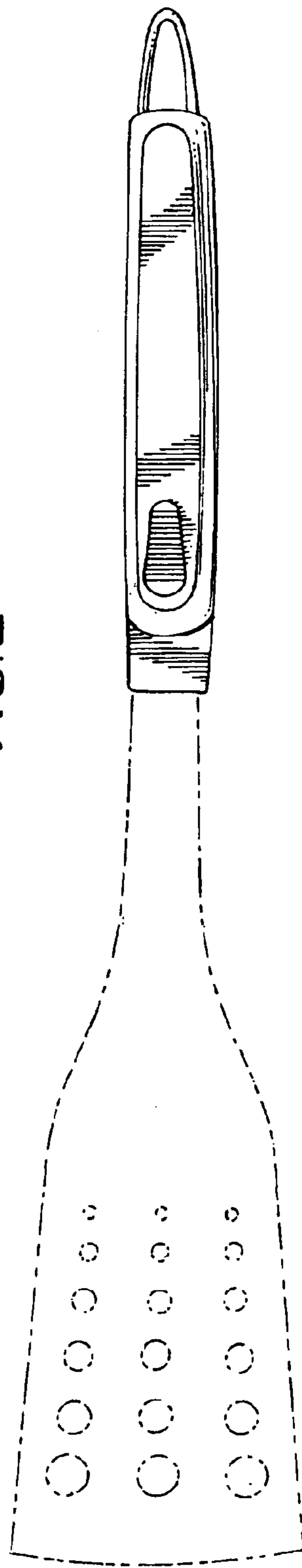


FIG. 6



FIG.3

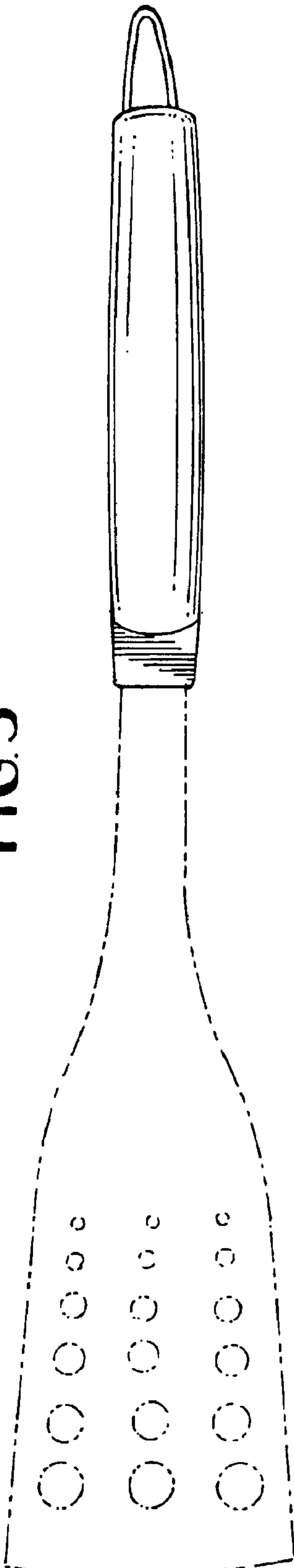


FIG.7

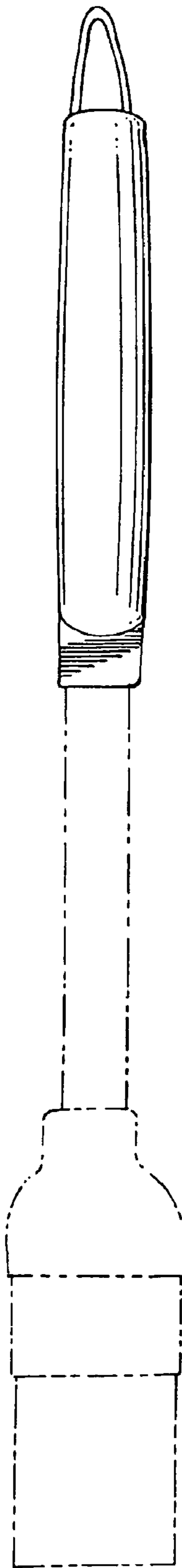


FIG.11

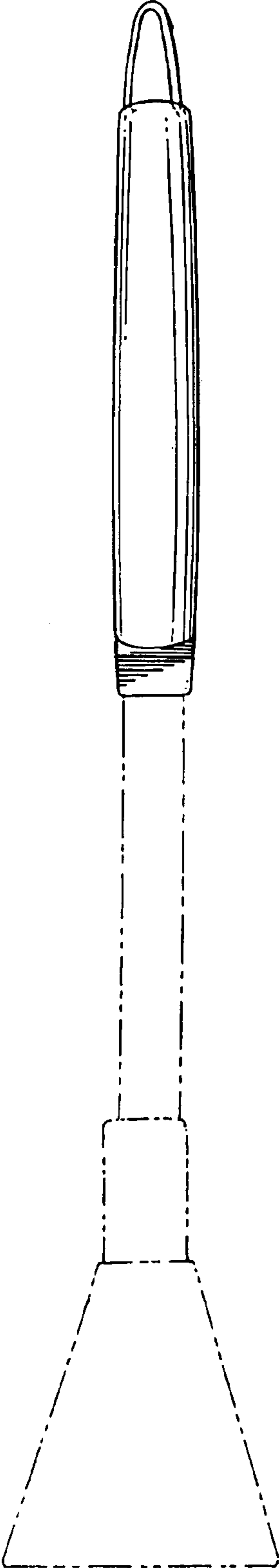


FIG. 15

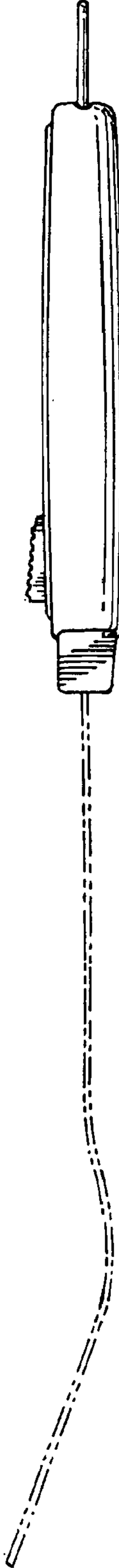


FIG. 4

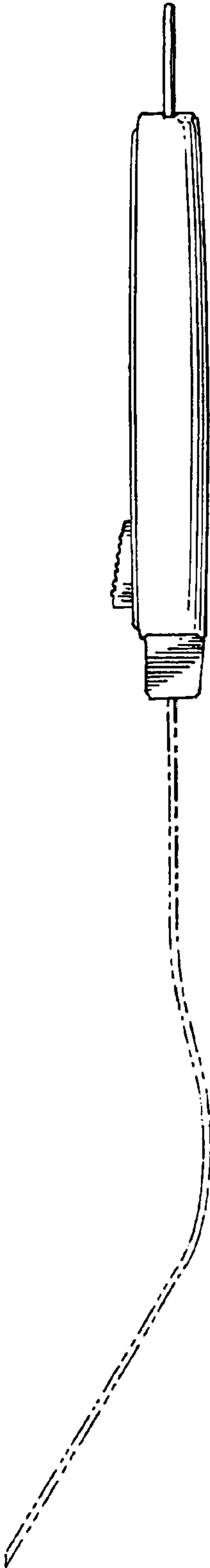


FIG. 8

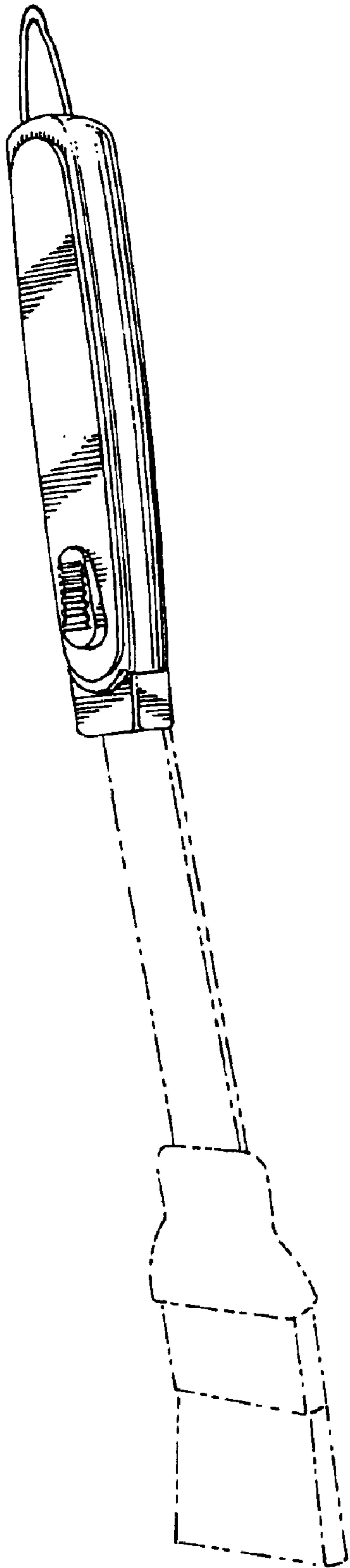


FIG. 9

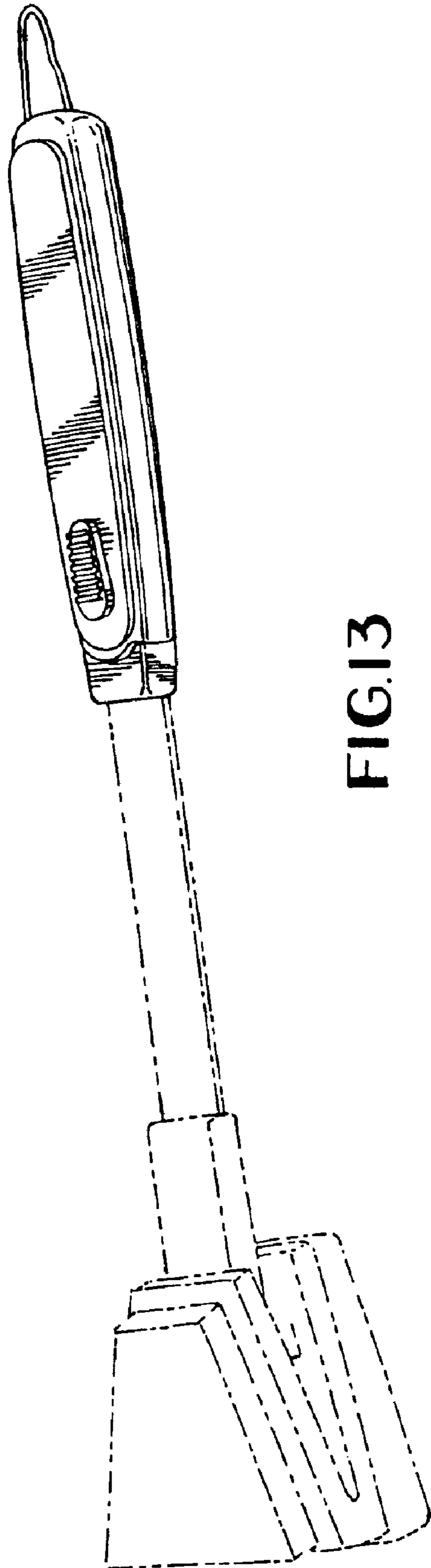


FIG. 13

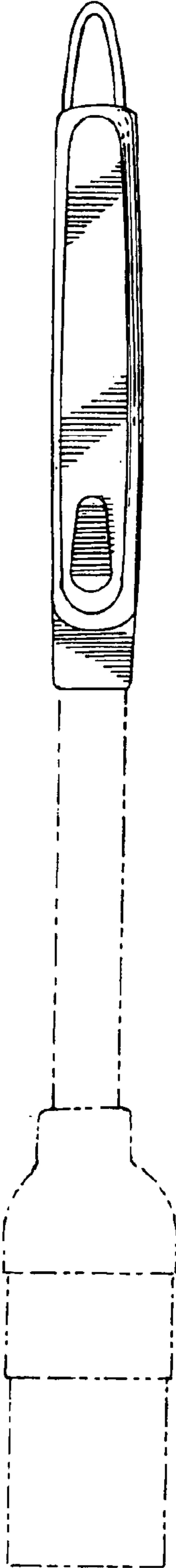


FIG. 10

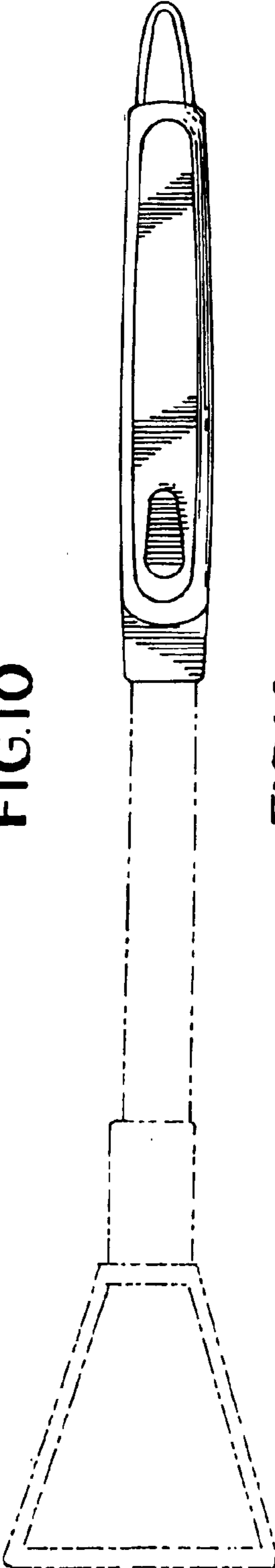


FIG. 14

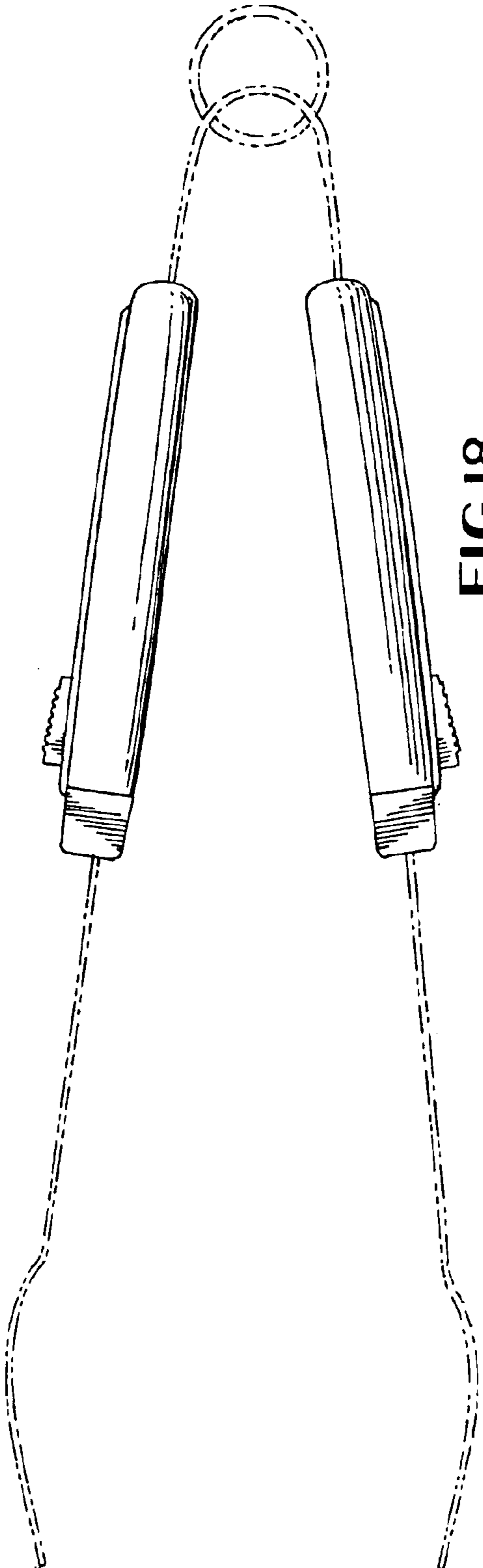


FIG. 18

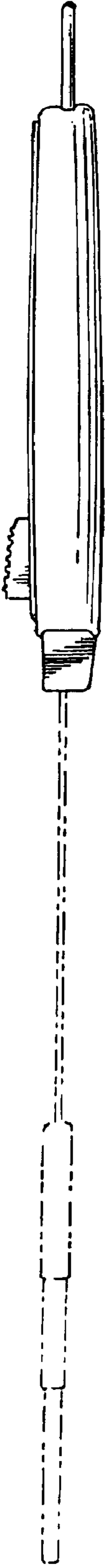


FIG. 12

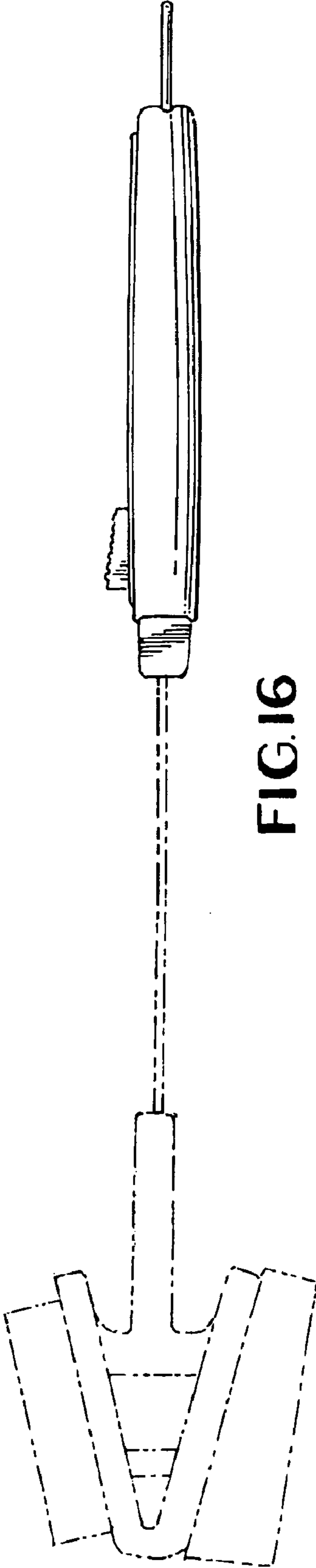


FIG. 16

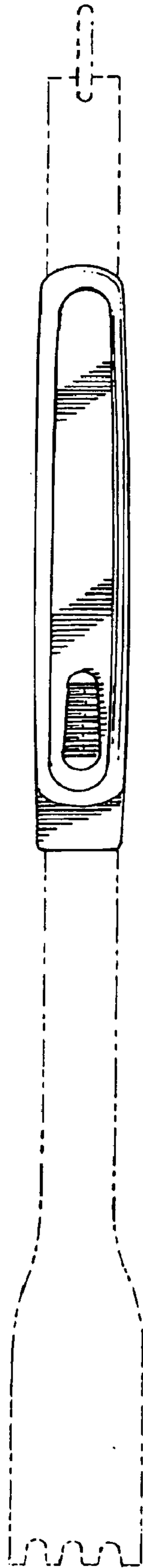


FIG.19



FIG.20

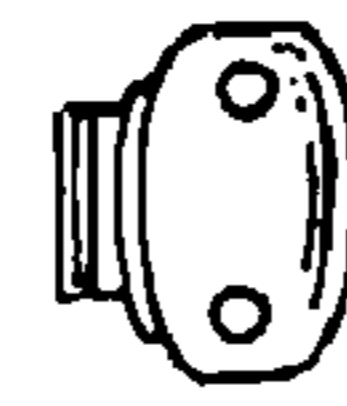


FIG.21