



US00D503069S

(12) **United States Design Patent**  
**Dilollo et al.**

(10) **Patent No.:** **US D503,069 S**  
(45) **Date of Patent:** **\*\* Mar. 22, 2005**

(54) **LID AND A HANDLE OF A COFFEE MAKER**

(75) Inventors: **Stefano Dilollo**, LaSalle (CA); **Pierre Tardif**, Longueuil (CA)

(73) Assignee: **Trudeau Corporation 1889 Inc.**, Quebec (CA)

(\*\*) Term: **14 Years**

(21) Appl. No.: **29/197,066**

(22) Filed: **Jan. 9, 2004**

(51) **LOC (7) Cl.** ..... **07-01**

(52) **U.S. Cl.** ..... **D7/392; D7/392.1**

(58) **Field of Search** ..... **D7/312-321, 392, D7/392.1, 393, 394; 222/465.1, 475.1; 16/110.1, 475**

(56) **References Cited**

**U.S. PATENT DOCUMENTS**

3,717,288 A	*	2/1973	Schlegel	.....	222/465.1
D342,414 S		12/1993	Jorgensen		
D343,333 S		1/1994	Jorgensen		
D343,759 S		2/1994	Jorgensen		
D377,132 S		1/1997	Jorgensen		
D378,261 S		3/1997	Jorgensen		
D381,238 S		7/1997	Joergensen		
D384,539 S		10/1997	Joergensen		
D384,540 S		10/1997	Joergensen		
D386,040 S		11/1997	Joergensen		
D388,275 S		12/1997	Joergensen		
D401,466 S		11/1998	Joergensen		
D403,200 S		12/1998	Joergensen		
D413,480 S		9/1999	Joergensen		

D413,484 S	9/1999	Joergensen	
D414,984 S	10/1999	Joergensen	
D415,648 S	10/1999	Joergensen	
D417,582 S	12/1999	Joergensen	
D420,250 S	2/2000	Joergensen	
D435,996 S	1/2001	Joergensen	
D445,640 S	* 7/2001	Cruz et al.	..... D7/392

\* cited by examiner

*Primary Examiner*—Terry A. Wallace

(74) *Attorney, Agent, or Firm*—Cooper & Dunham LLP

(57) **CLAIM**

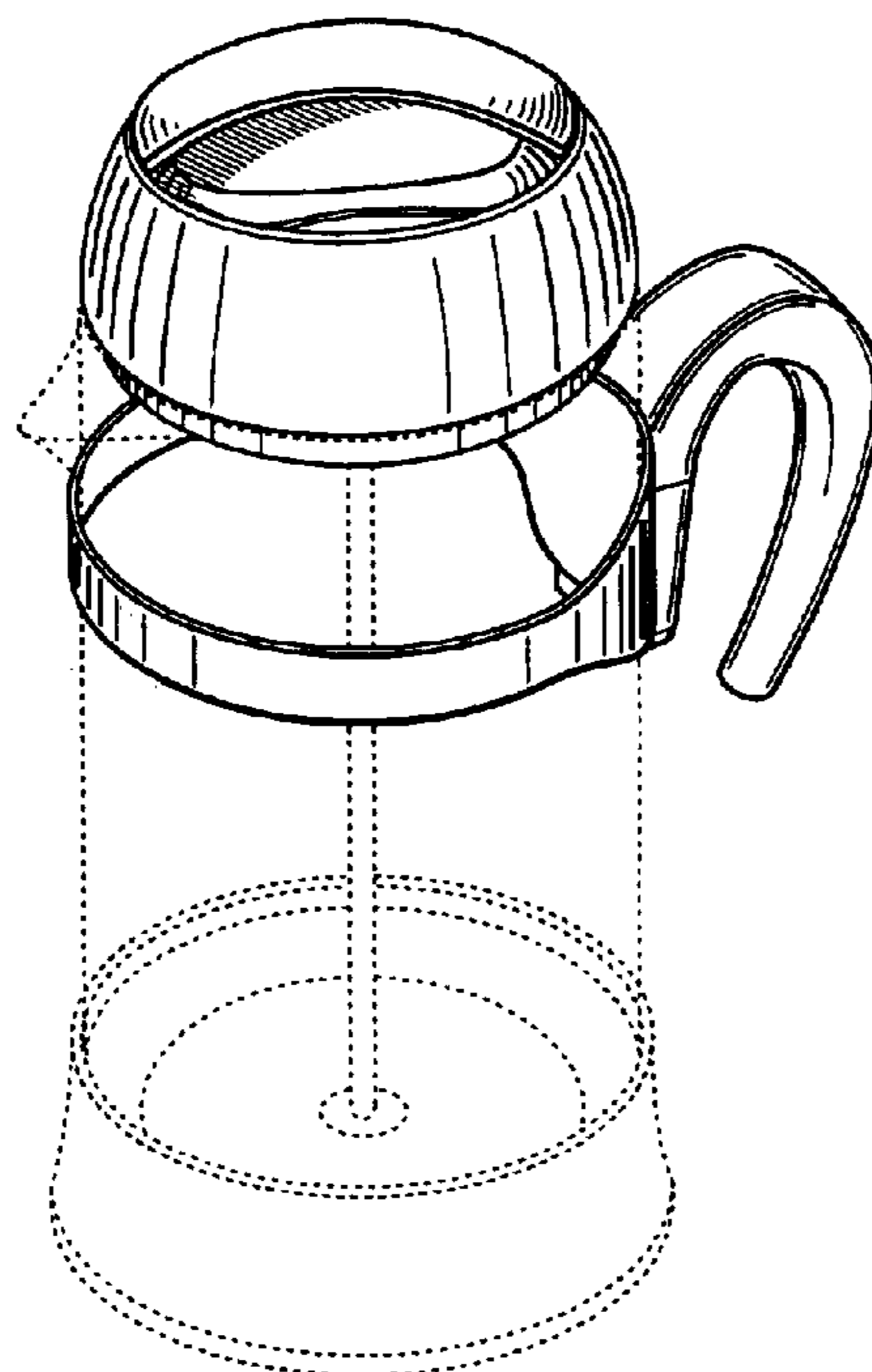
We claim the ornamental design for a lid and a handle of a coffee maker, as shown and described.

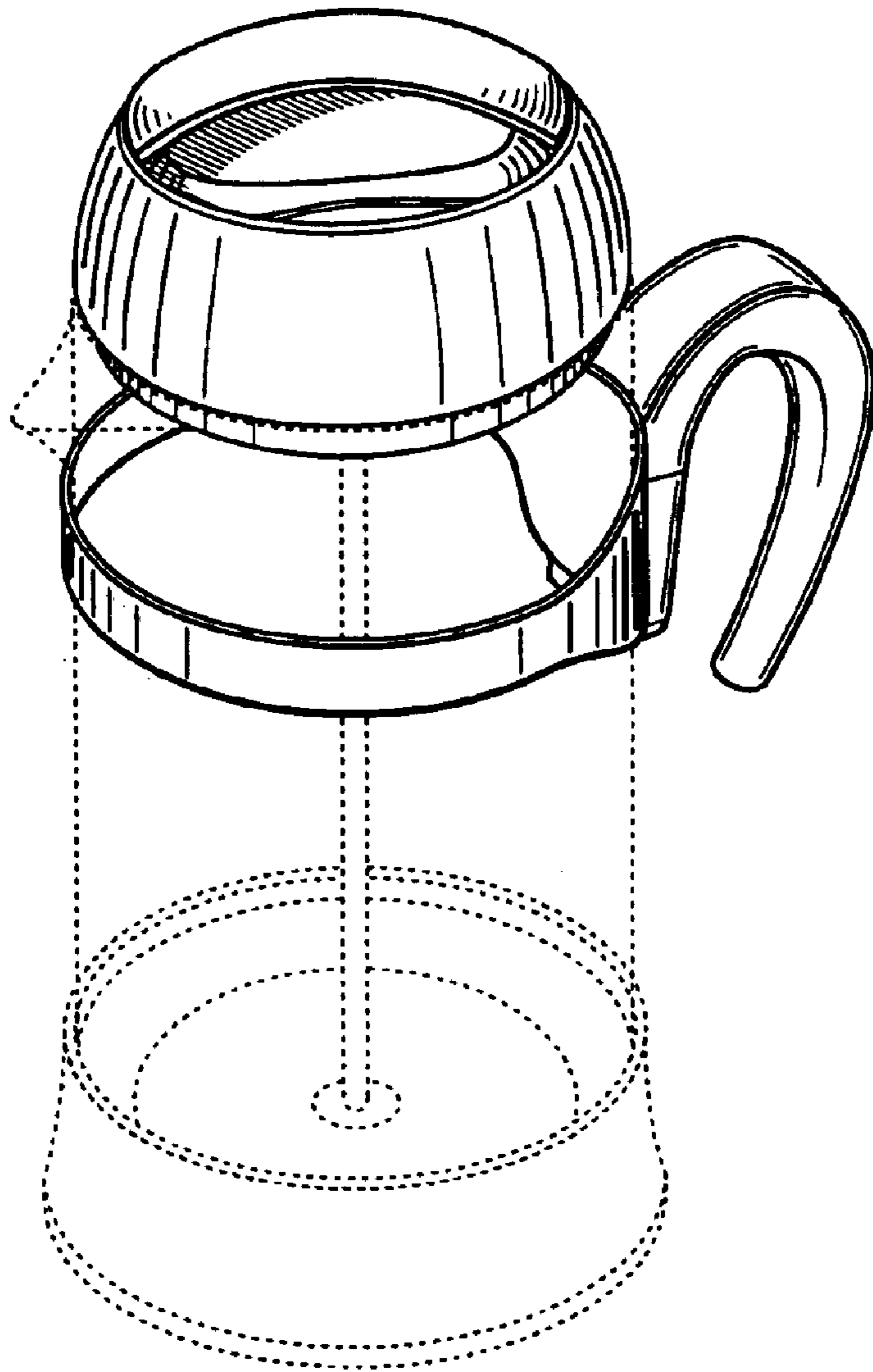
**DESCRIPTION**

FIG. 1 is a perspective view of a lid and a handle of a coffee maker according to the present design; FIG. 2 is a right side elevational view of the lid and a handle of a coffee maker of FIG. 1, the left side elevational view being a mirror image thereof; FIG. 3 is a rear elevational view of the lid and a handle of a coffee maker of FIG. 1; FIG. 4 is a front elevational view of the lid and a handle of a coffee maker of FIG. 1; and, FIG. 5 is a top plan view of the lid and a handle of a coffee maker of FIG. 1.

The bottom view is omitted since the bottom of the lid and handle is unornamented. The broken lines shown in FIGS. 1-5 are for illustrative purposes only and form no part of the claimed design.

**1 Claim, 5 Drawing Sheets**





**FIG. 1**

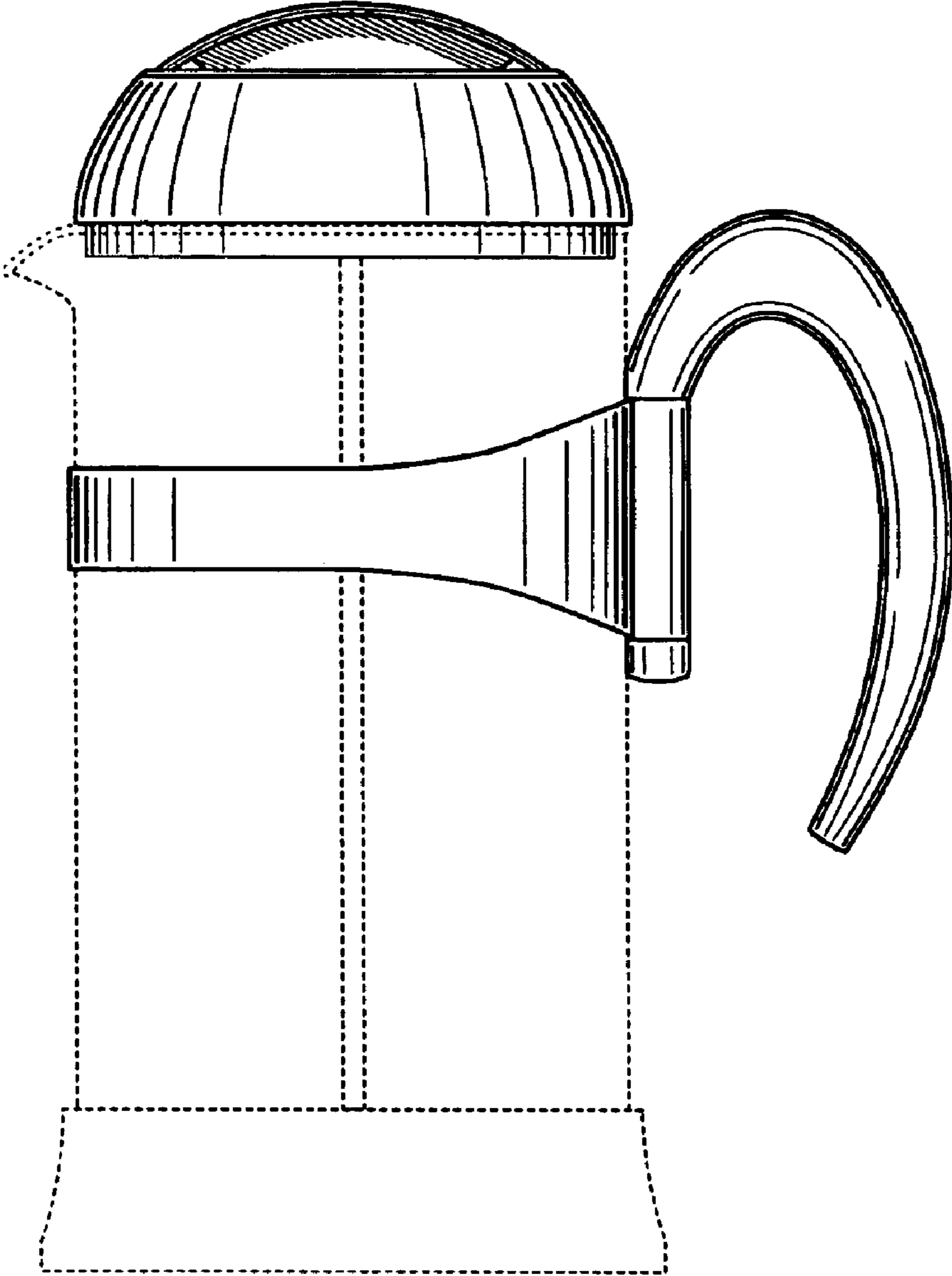
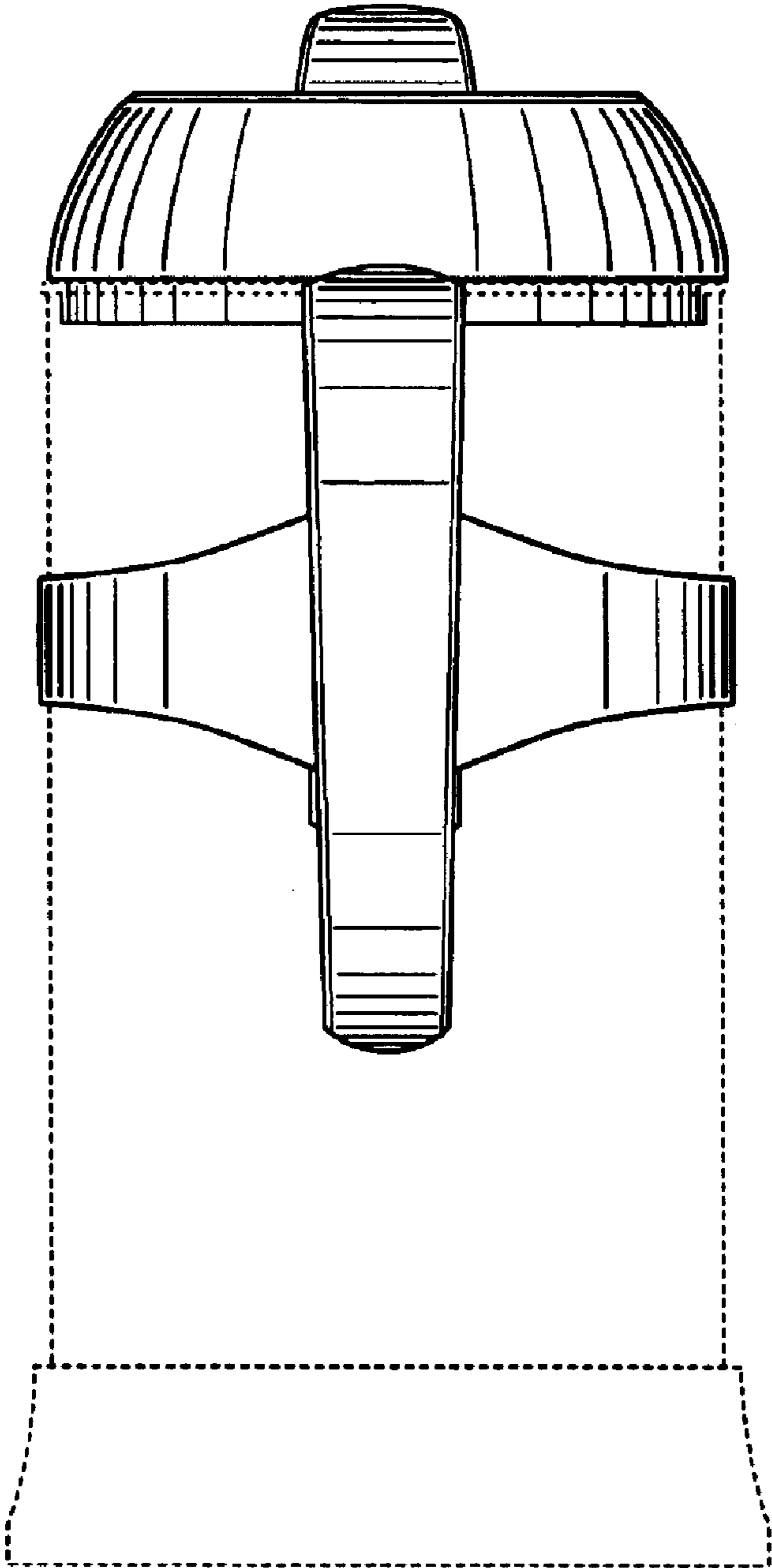


FIG. 2



**FIG. 3**

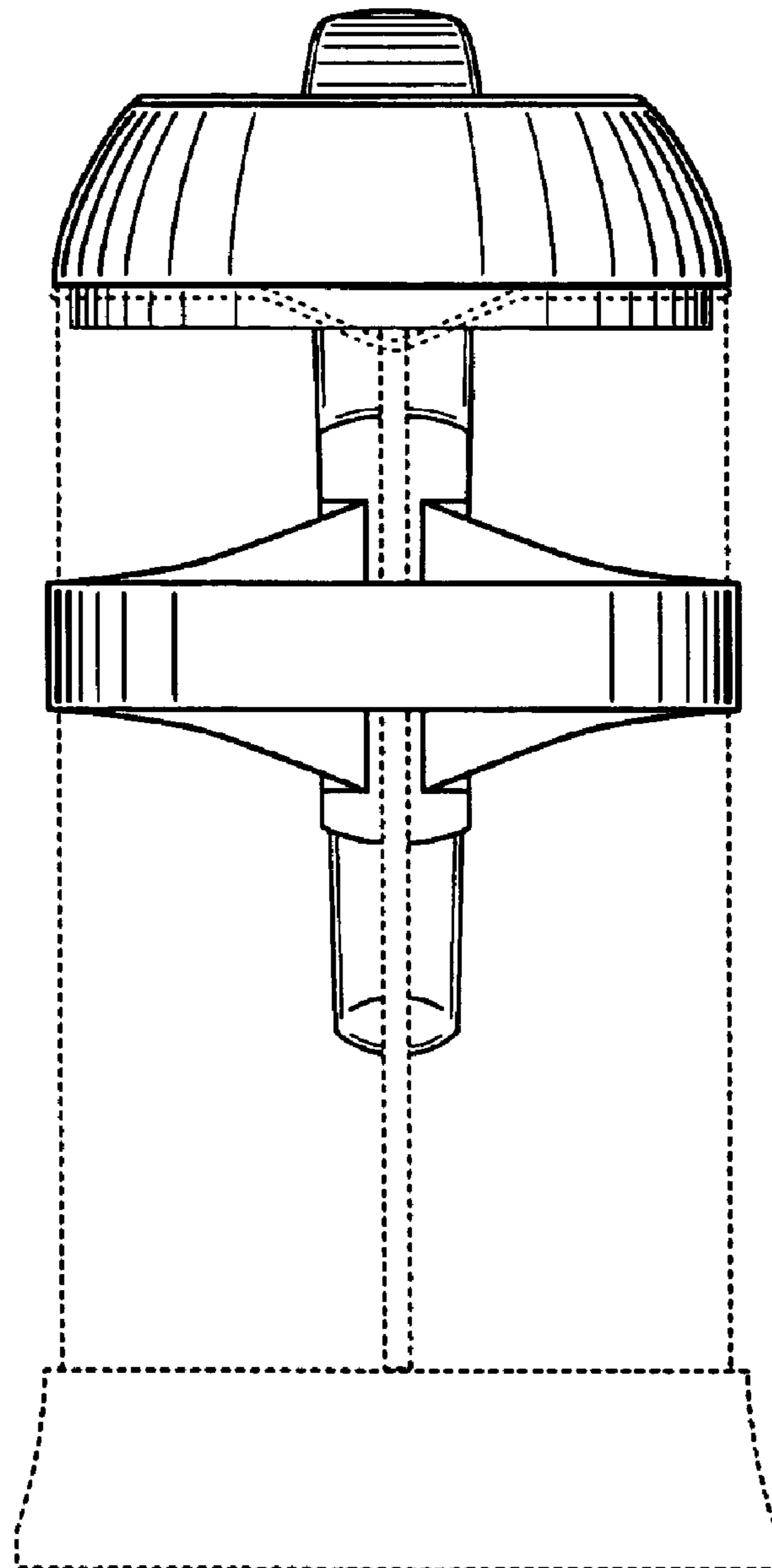
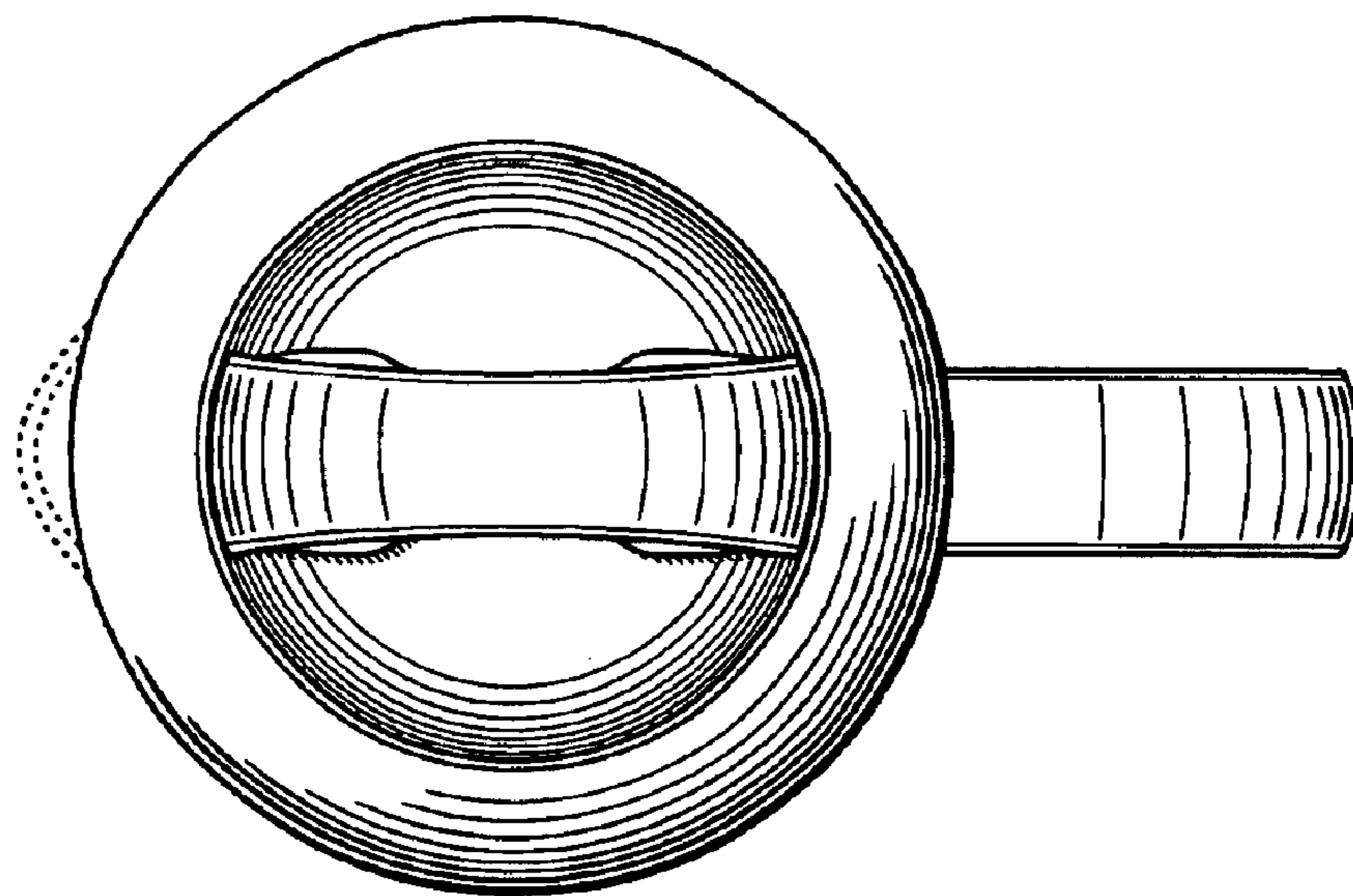


FIG. 4



**FIG. 5**