

US00D503067S

(12) **United States Design Patent**
Lubowicki

(10) **Patent No.:** **US D503,067 S**
(45) **Date of Patent:** **** Mar. 22, 2005**

- (54) **GRILL**
- (75) **Inventor:** **Jean-Pierre Lubowicki, Gruffy (FR)**
- (73) **Assignee:** **Tefal S.A., Rumilly (FR)**
- (**) **Term:** **14 Years**
- (21) **Appl. No.:** **29/195,731**
- (22) **Filed:** **Dec. 15, 2003**
- (51) **LOC (7) Cl.** **07-02**
- (52) **U.S. Cl.** **D7/362**
- (58) **Field of Search** D7/362-367, 332,
D7/337, 402-404, 409, 550.1, 554.3, 359-360,
355; 126/38, 25 R, 9 R, 9 B, 40, 44-45,
41 R; 219/443.1, 450.1, 451.1, 446.1, 452.11,
462.1, 432; 431/247, 344, 211; 99/422-423,
425, 445, 448, 450

- D431,152 S * 9/2000 Lee D7/362
- D437,183 S * 2/2001 Wong et al. D7/362
- D441,250 S * 5/2001 Choi D7/362
- 6,252,204 B1 * 6/2001 Po-Hei 219/450.1
- D444,667 S * 7/2001 Wong et al. D7/362
- D452,630 S * 1/2002 Choi D7/362
- D464,843 S * 10/2002 Schulte et al. D7/337

* cited by examiner

Primary Examiner—Ruth McInroy
(74) *Attorney, Agent, or Firm*—Kirkpatrick & Lockhart
Nicholson Graham LLP; Anthony H. Handal

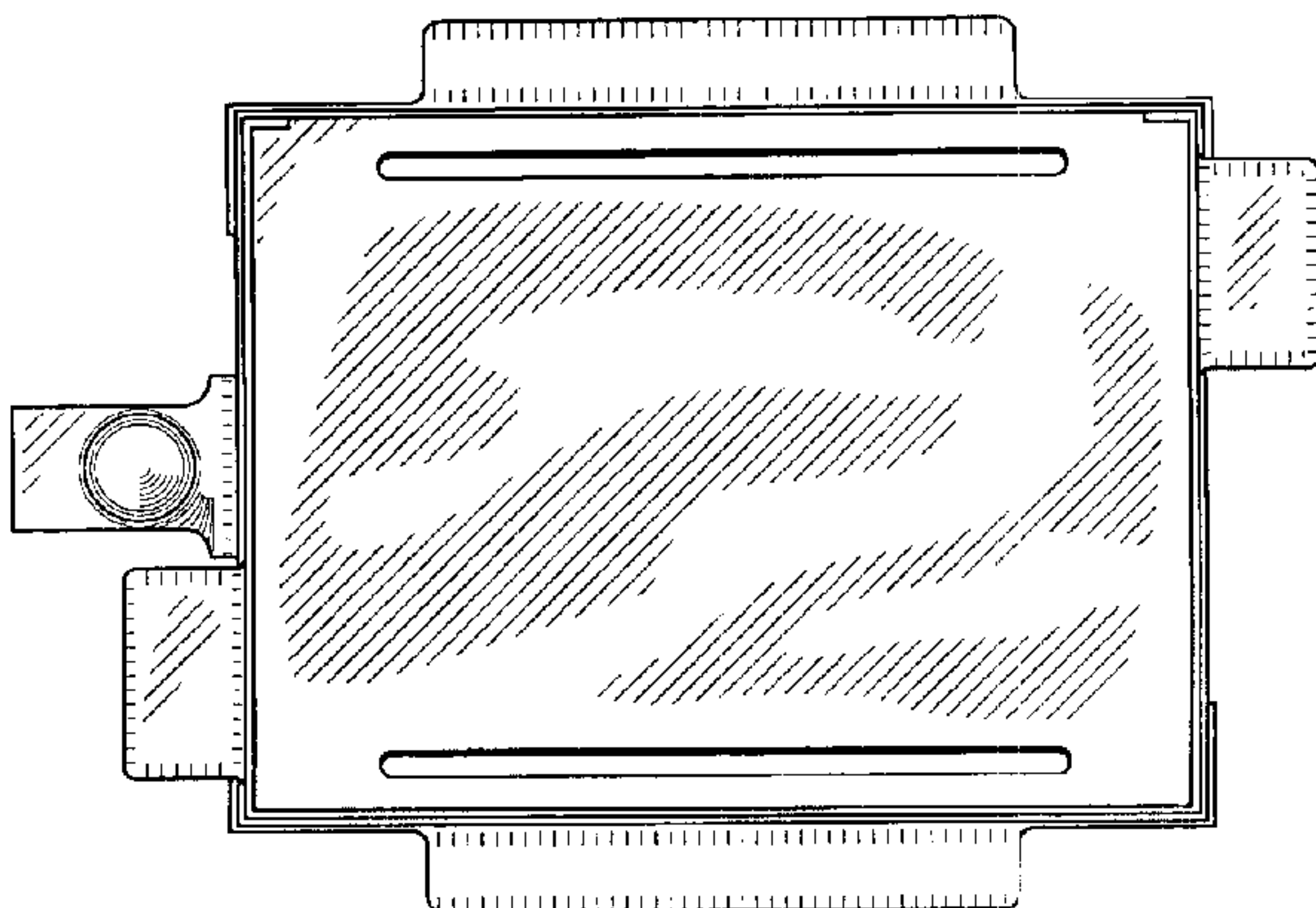
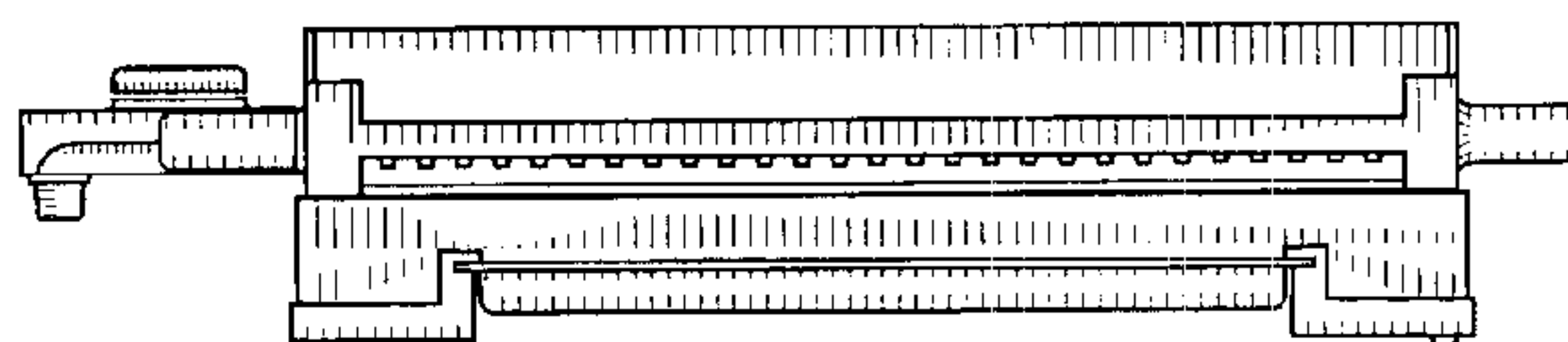
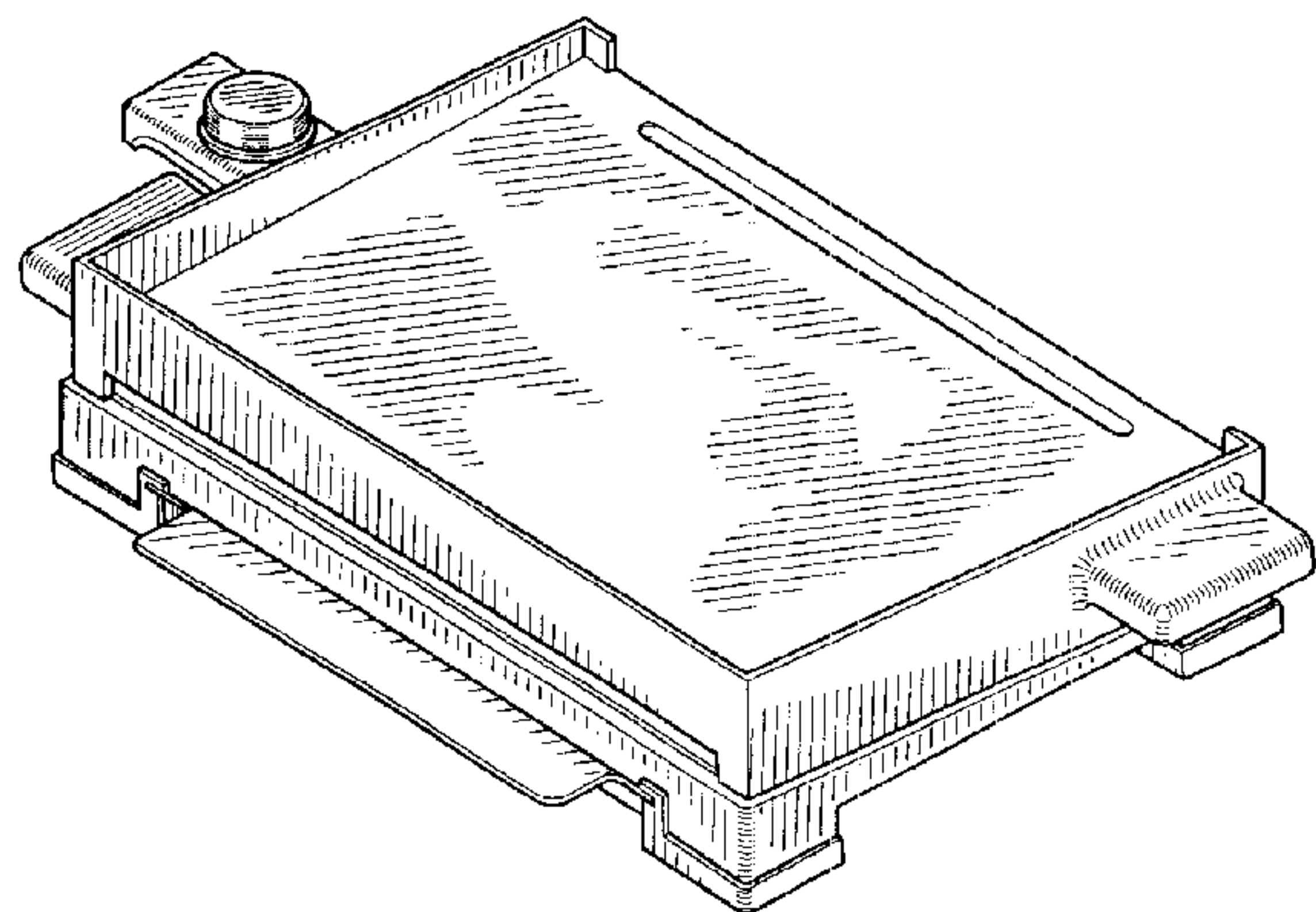
- (56) **References Cited**
U.S. PATENT DOCUMENTS
D190,212 S * 4/1961 Ernest D7/363
D192,671 S * 4/1962 Lerner D7/363
D278,505 S * 4/1985 Mackin D7/337
D321,625 S * 11/1991 Dobson et al. D7/360
6,064,042 A * 5/2000 Glucksman et al. ... 219/452.13

(57) **CLAIM**
I claim the ornamental design for a grill, as shown and described.

DESCRIPTION

FIG. 1 is a front, left and top perspective view of a grill showing my new design;
FIG. 2 is a front view thereof;
FIG. 3 is a top plan view thereof;
FIG. 4 is a bottom plan view thereof;
FIG. 5 is a rear side view thereof;
FIG. 6 is a left side view thereof; and,
FIG. 7 is a right side view thereof.

1 Claim, 7 Drawing Sheets



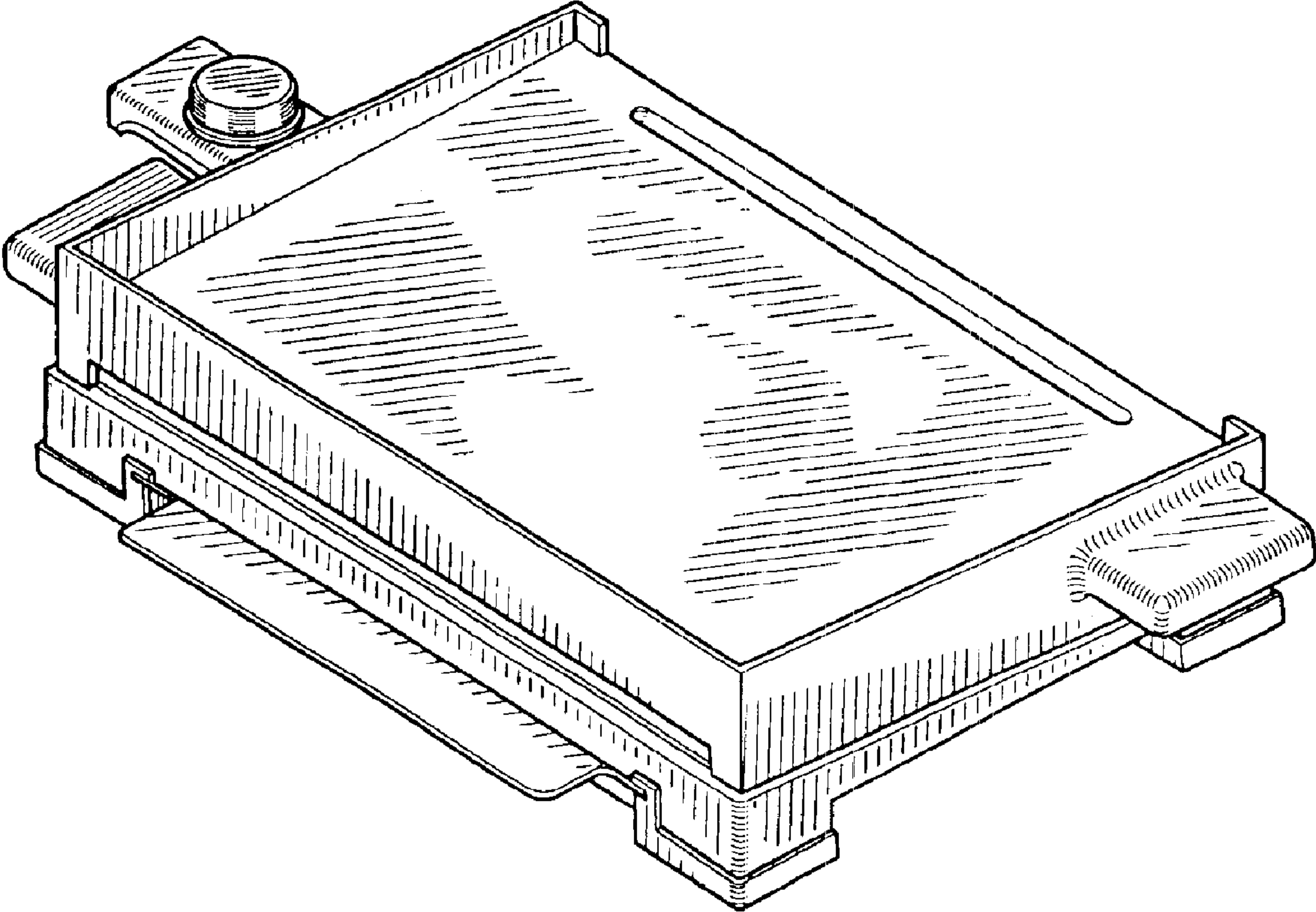


Fig. 1

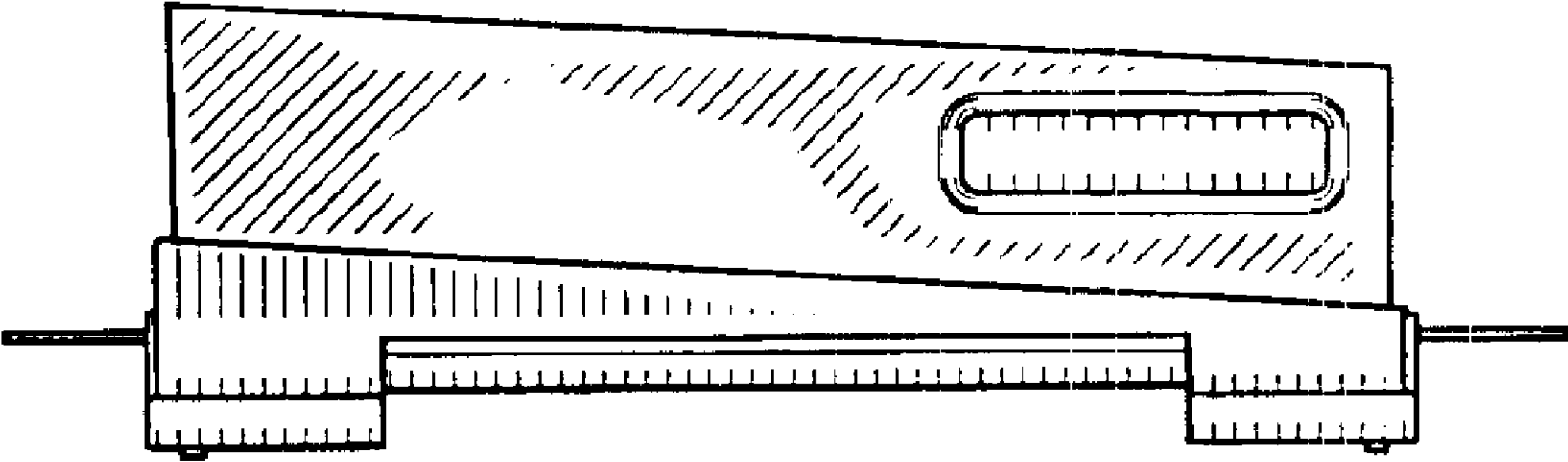


Fig. 2

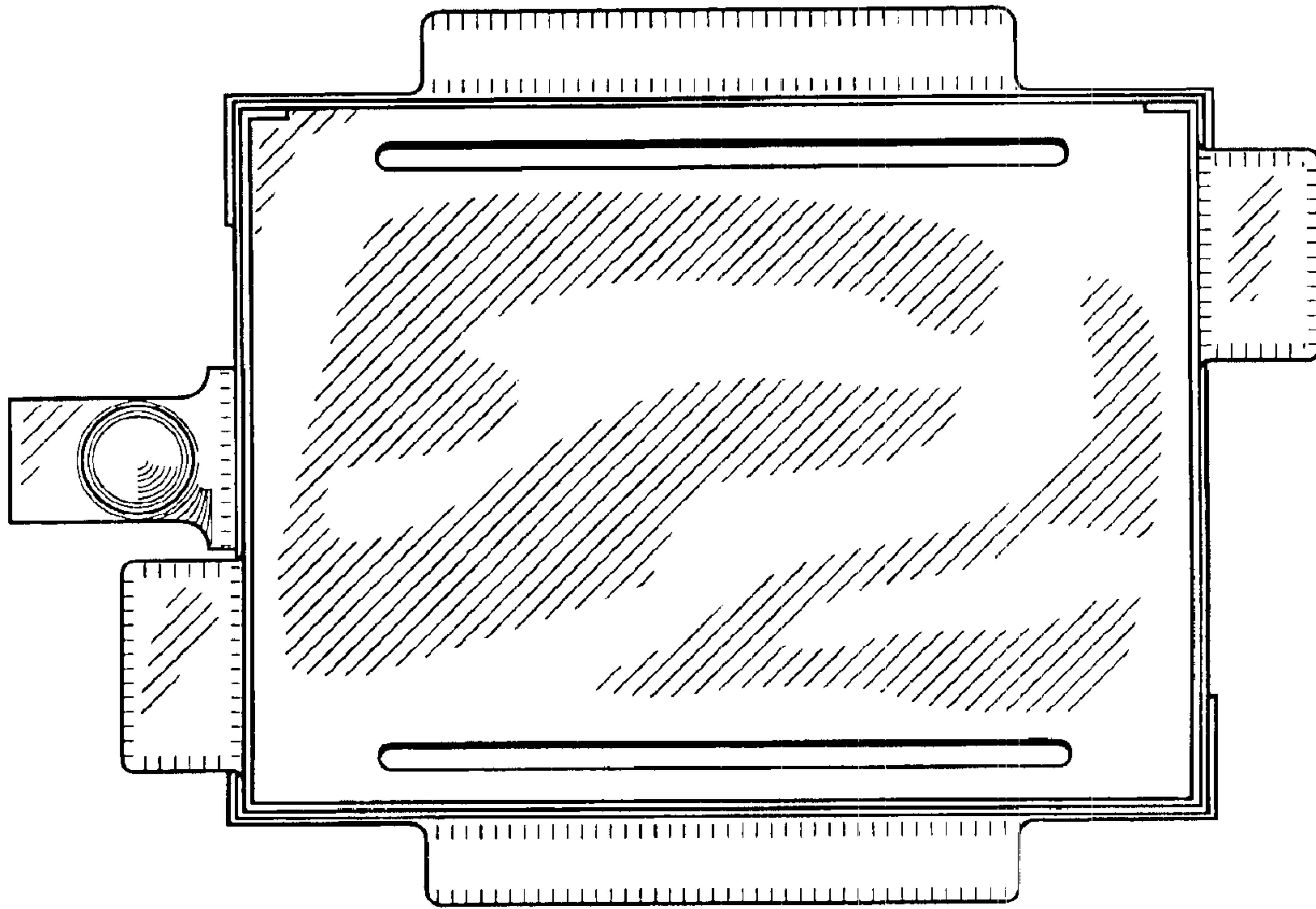


Fig. 3

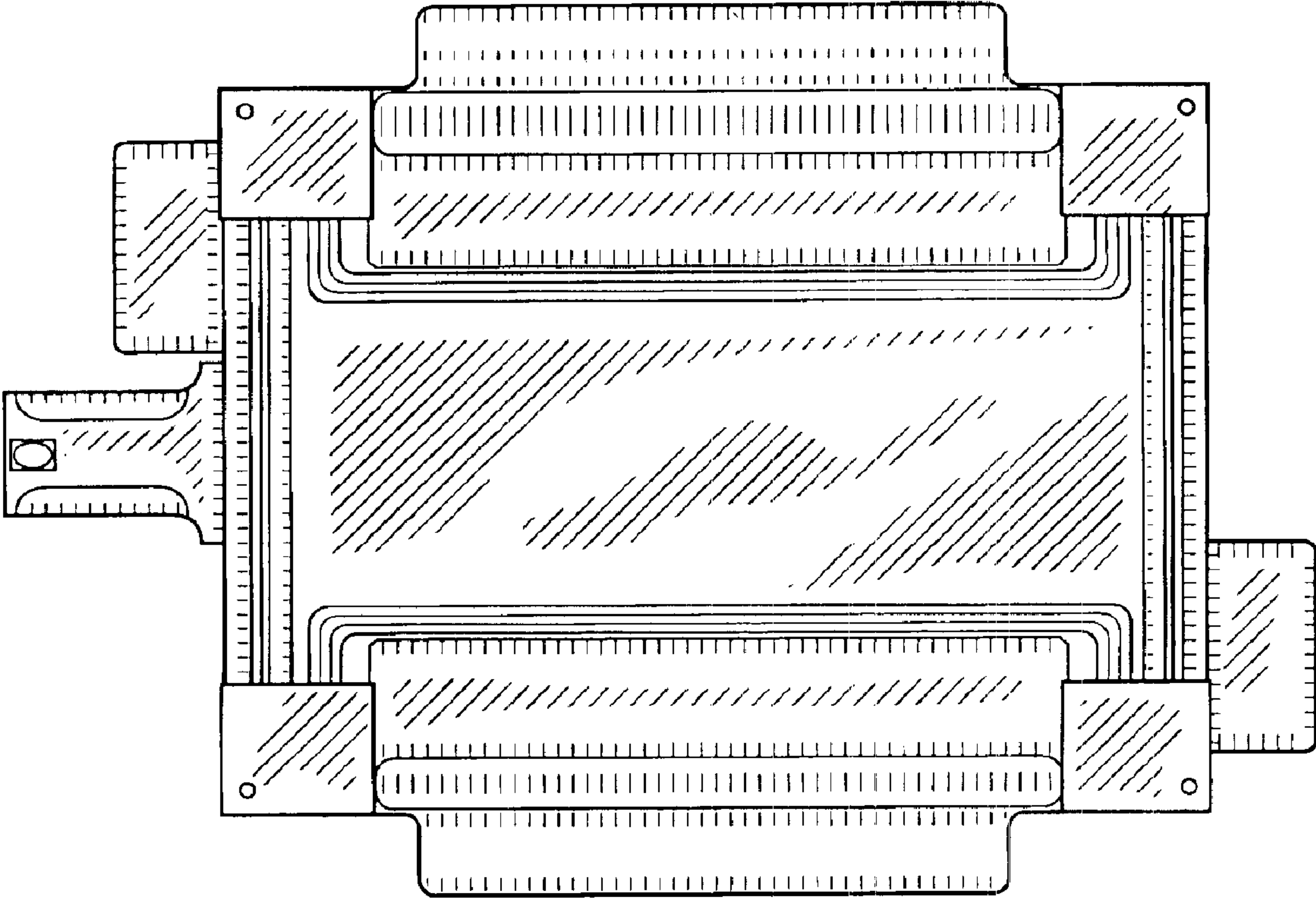


Fig. 4

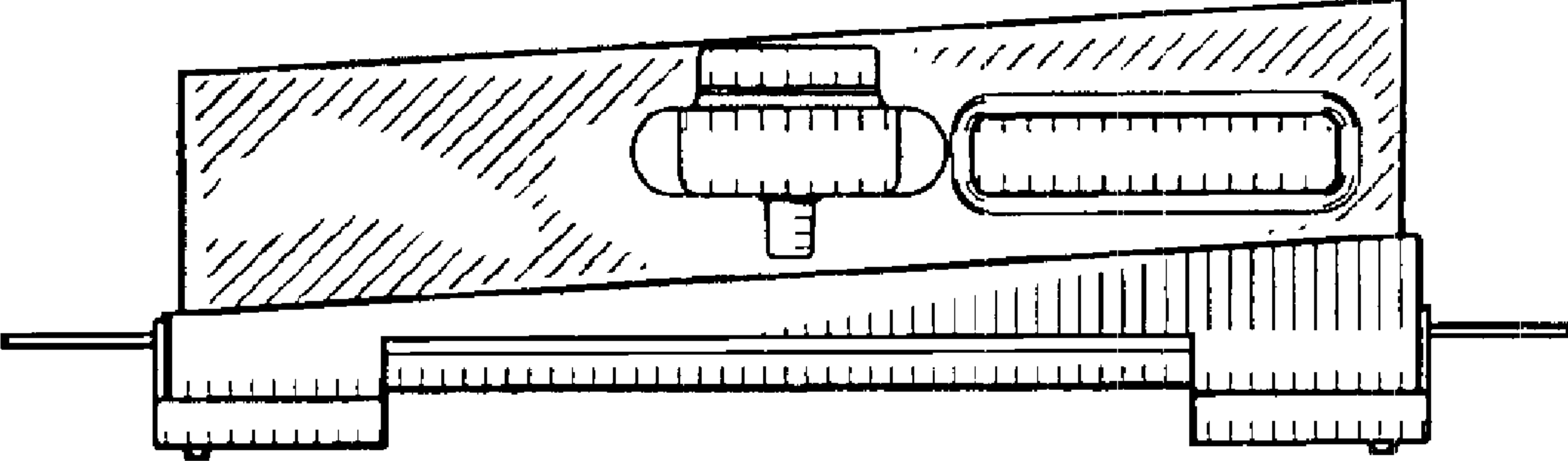


Fig. 5

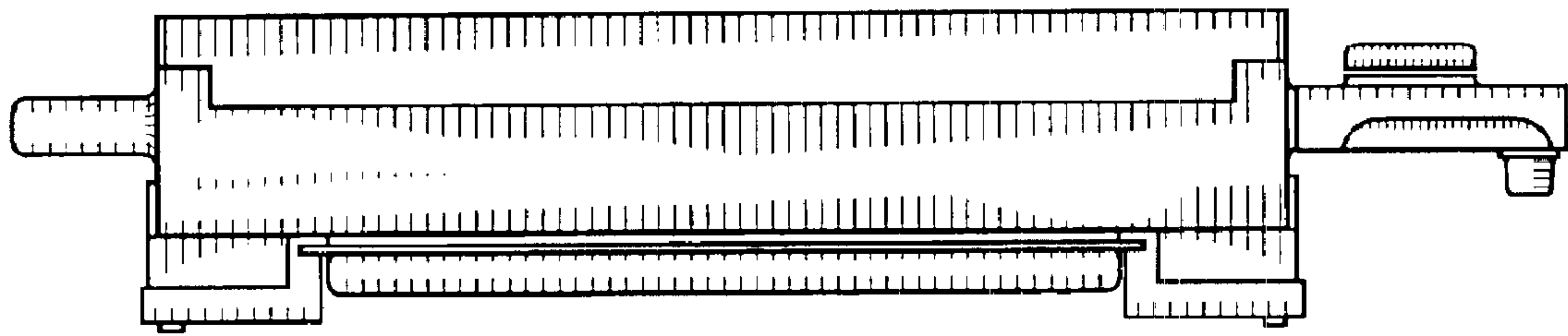


Fig. 6

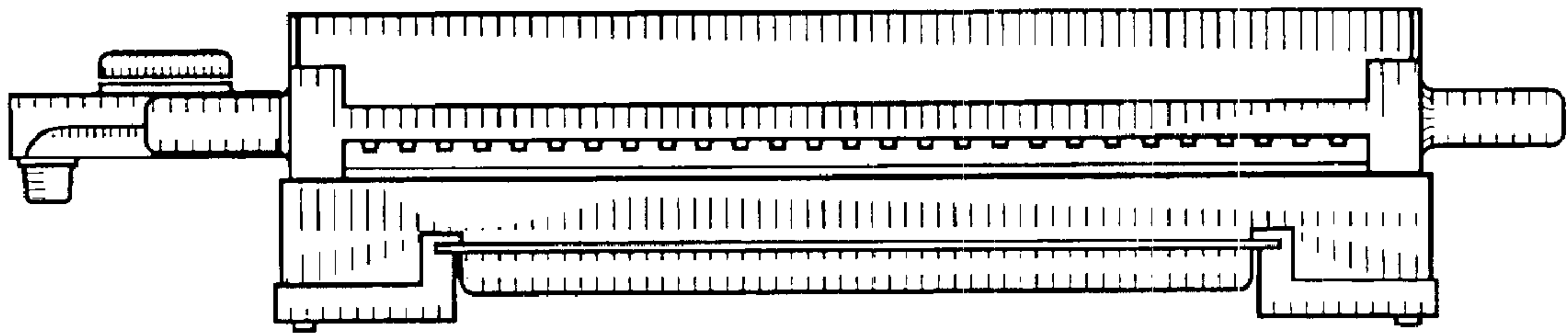


Fig. 7