

US00D503066S

(12) **United States Design Patent**
Militi

(10) **Patent No.:** **US D503,066 S**
(45) **Date of Patent:** **** Mar. 22, 2005**

(54) **COMBINATION GRIDDLE AND GRILL**

(76) **Inventor:** **Ric Militi**, 8951 Appian Way, Los Angeles, CA (US) 90046

(**) **Term:** **14 Years**

(21) **Appl. No.:** **29/201,740**

(22) **Filed:** **Mar. 18, 2004**

(51) **LOC (7) Cl.** **07-02**

(52) **U.S. Cl.** **D7/359**

(58) **Field of Search** D7/362-367, 332, D7/337, 402-404, 409, 360, 550.1, 554.3, 354, 359; 126/38, 25 R, 9 R, 9 B, 40, 44-45, 41 R; 219/443.1, 450.1, 451.1, 446.1, 452.11, 462.1, 432; 431/247, 344, 211; 99/422-423, 425, 445, 448, 450

(56) **References Cited**

U.S. PATENT DOCUMENTS

- 1,204,429 A * 11/1916 Griswold 99/425
- D268,981 S * 5/1983 Monson D7/359
- D365,495 S * 12/1995 O'Higgins D7/359
- D427,009 S * 6/2000 Iyengar et al. D7/360

- D463,202 S * 9/2002 Smith D7/359
- D470,712 S * 2/2003 Swinford et al. D7/360
- D471,397 S * 3/2003 Wright D7/359
- D483,605 S * 12/2003 Gronda D7/359

* cited by examiner

Primary Examiner—Ruth McInroy

(74) *Attorney, Agent, or Firm*—Fulbright & Jaworski

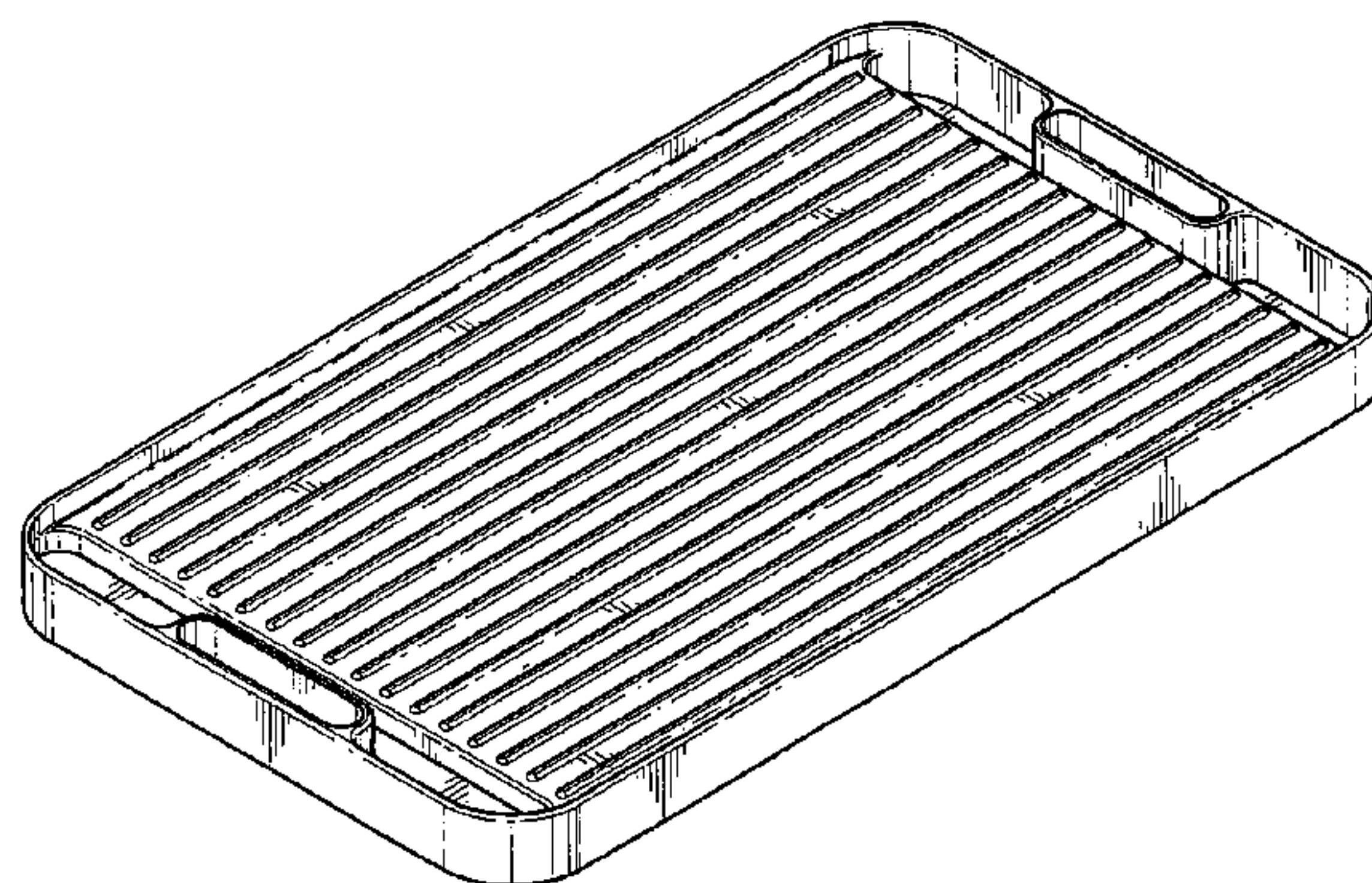
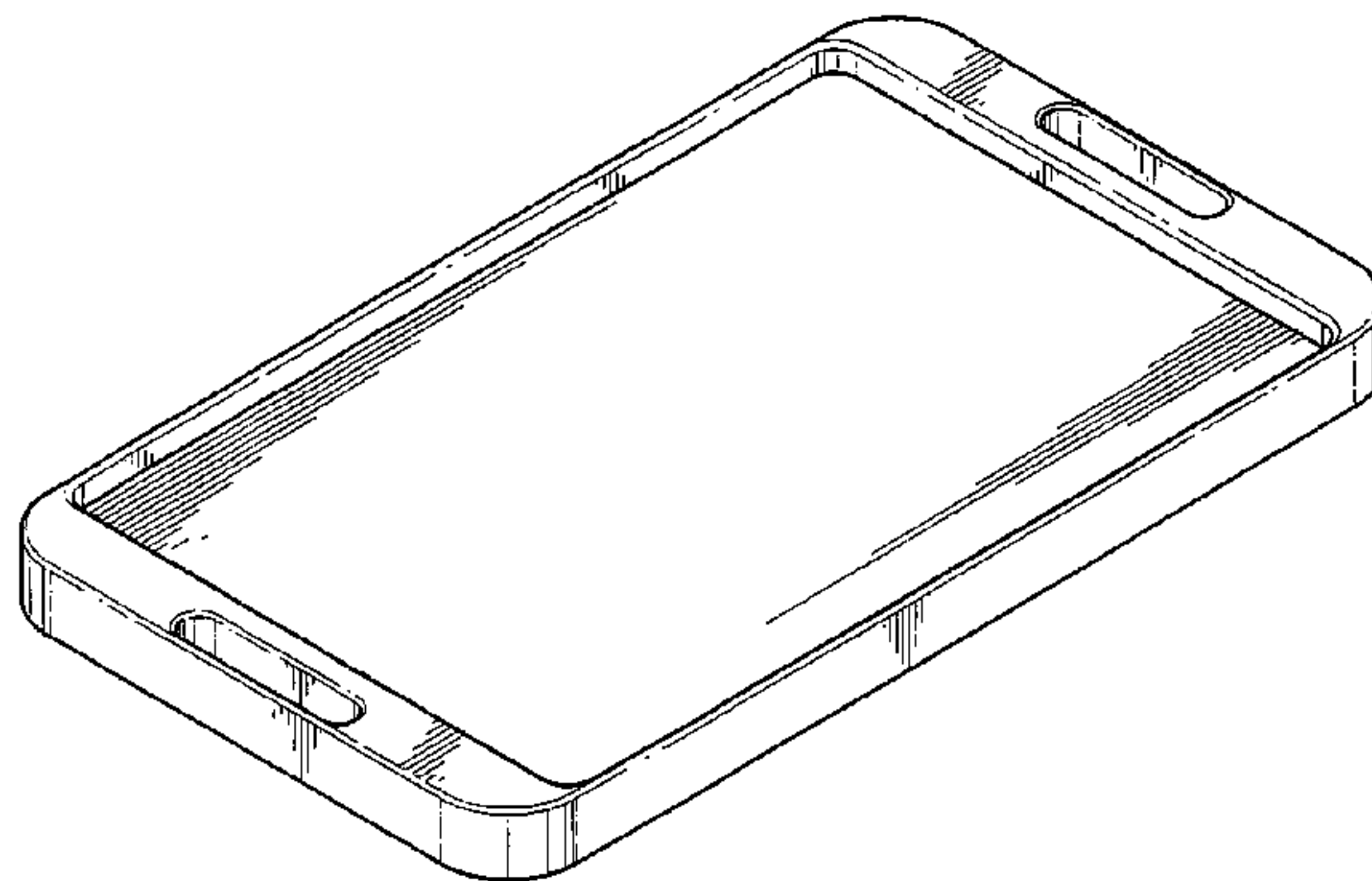
(57) **CLAIM**

The ornamental design for a combination griddle and grill, as shown and described.

DESCRIPTION

FIG. 1 is a top perspective view of a combination griddle and grill showing my new design;
 FIG. 2 is a bottom perspective view thereof;
 FIG. 3 is a top plan view thereof;
 FIG. 4 is a bottom plan view thereof;
 FIG. 5 is a side elevation view thereof, the opposite side being identical; and,
 FIG. 6 is an end elevation view thereof, the opposite side being identical.

1 Claim, 4 Drawing Sheets



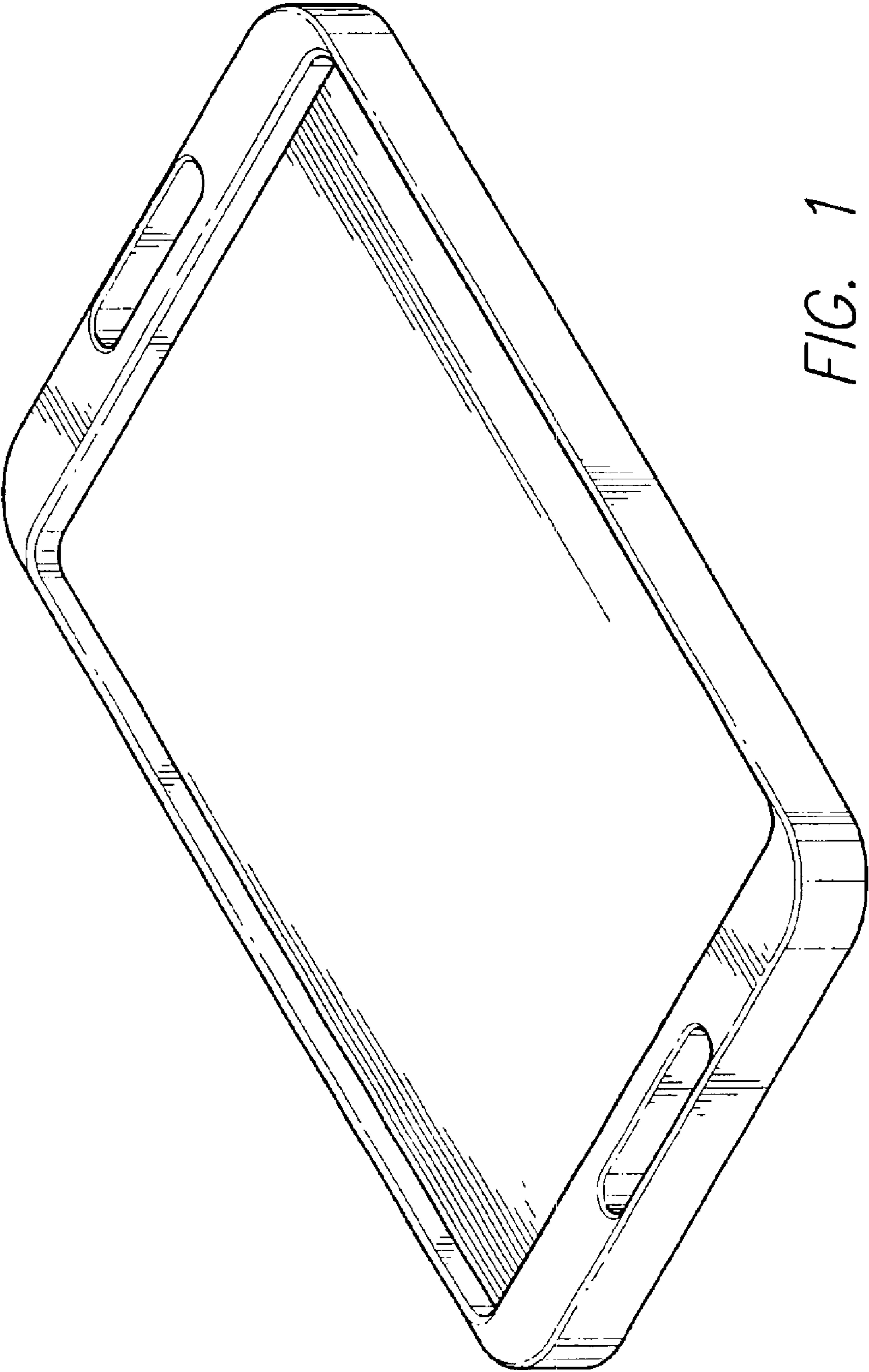


FIG. 1

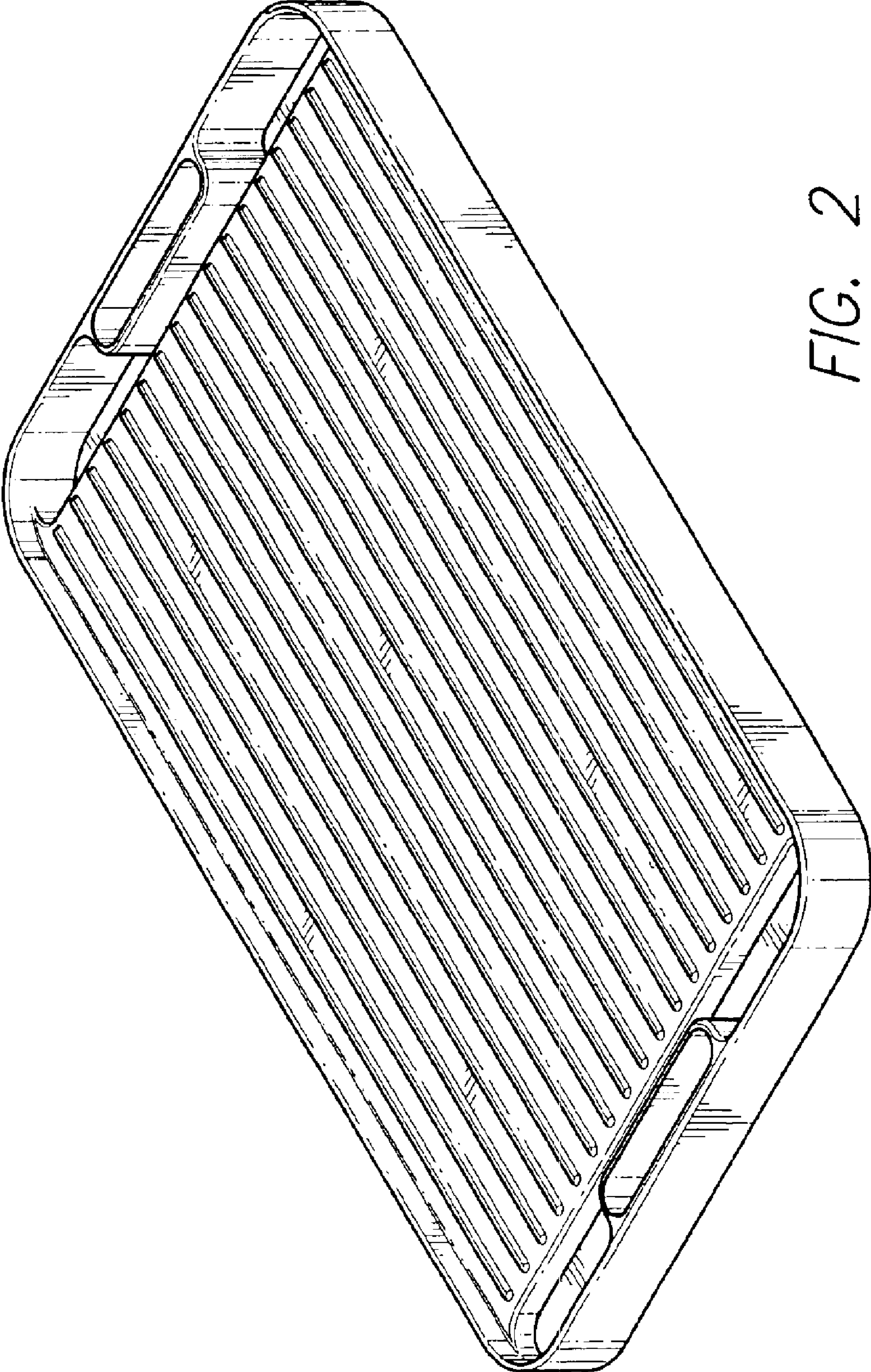


FIG. 2



FIG. 3

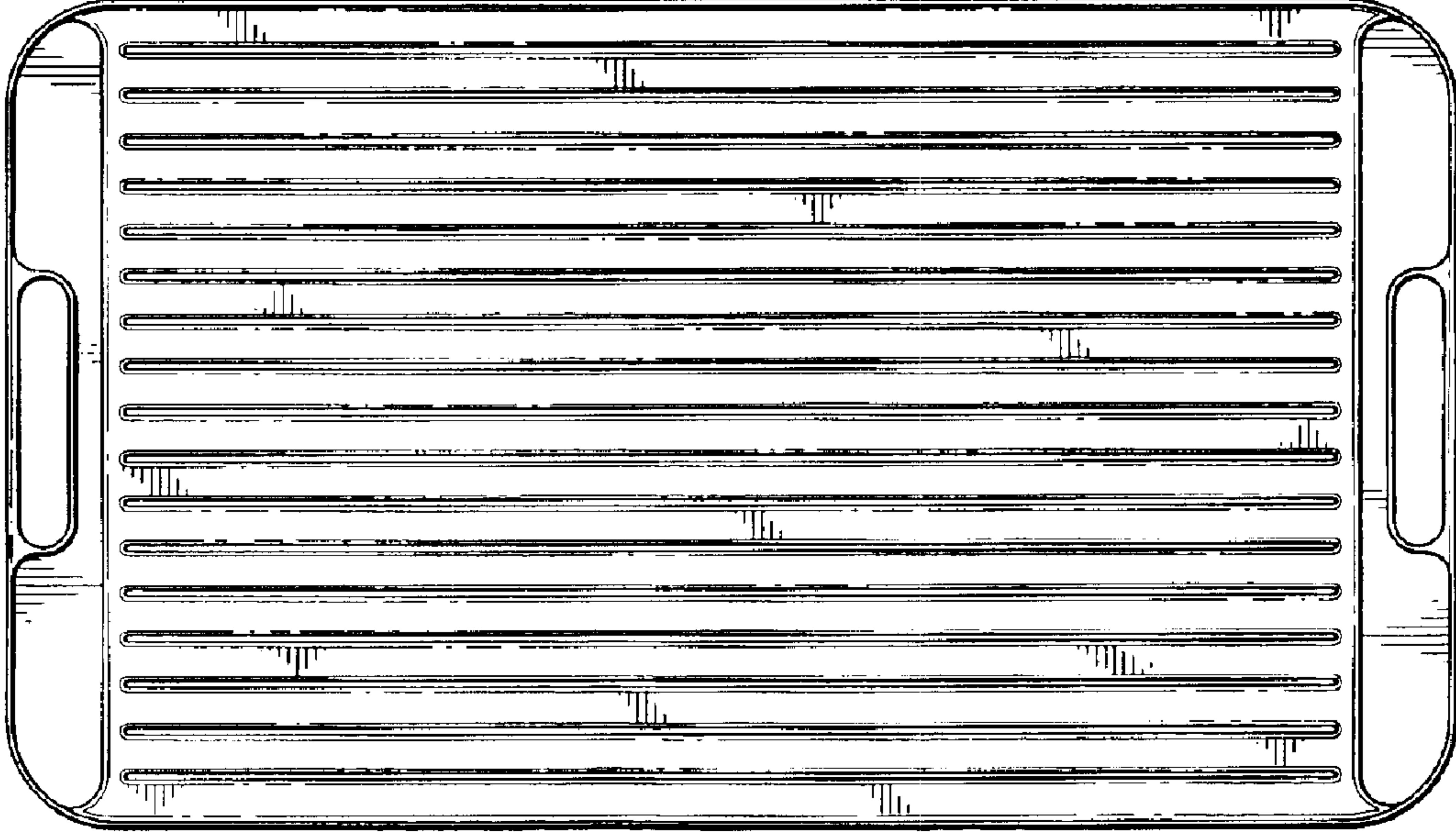


FIG. 4

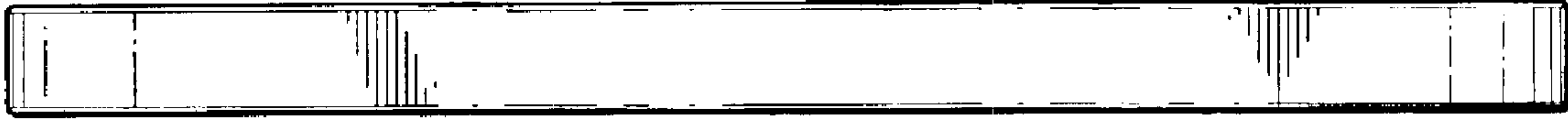


FIG. 5

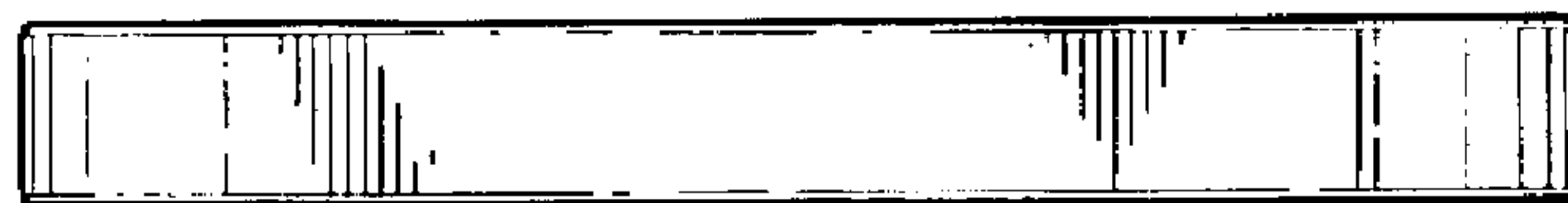


FIG. 6