

US00D503061S

(12) **United States Design Patent** (10) **Patent No.:** **US D503,061 S**
Fuchs (45) **Date of Patent:** **** Mar. 22, 2005**

(54) **TOWEL BAR**

(76) **Inventor:** **Thomas P. Fuchs**, 38 W. 9th St., New York, NY (US) 10012

(**) **Term:** **14 Years**

(21) **Appl. No.:** **29/202,489**

(22) **Filed:** **Mar. 31, 2004**

(51) **LOC (7) Cl.** **06-04**

(52) **U.S. Cl.** **D6/549**

(58) **Field of Search** D6/546-550, 518-519, D6/522-524; D8/300, 303, 315-321; 108/28-29; 211/13.1, 16, 60.1, 86.01, 87.01, 88.01, 88.04, 100, 105.1-105.2, 123, 181.1, 182; 248/175, 176.1, 251, 302; 16/110.1, 412, 415; 242/570, 590, 595-598

(56) **References Cited**

U.S. PATENT DOCUMENTS

D426,734 S	6/2000	Fuchs	
D427,471 S	* 7/2000	Chen	D6/549
D439,087 S	3/2001	Fuchs	
D449,952 S	* 11/2001	Lyndon	D6/549
D454,743 S	* 3/2002	Ou-Young	D6/549
D455,592 S	* 4/2002	Ou-Young	D6/549
D455,823 S	* 4/2002	Zetsche	D6/549
D461,985 S	8/2002	Fuchs	
D462,554 S	9/2002	Fuchs	
D472,417 S	* 4/2003	Hunt	D6/549
D479,931 S	* 9/2003	Gilbert	D6/549
D485,486 S	1/2004	Fuchs	
D492,530 S	* 7/2004	Chen	D6/549

OTHER PUBLICATIONS

“Brass Art Solutions”, Allied Brass Mfg. Co., Full Line Catalog, 10 pages.
 “Knobs & Pulls”, Allied Brass Mfg. Co., Catalog, 8 pages.
 1999 Allied Brass Mfg. Co., Catalog, 4 pages.

1998 Allied Brass Mfg. Co., Catalog, 8 pages.

1995 Allied Brass Mfg. Co., Catalog, 1 page.

1992 Allied Brass Mfg. Co., Catalog, 8 pages.

Originals by Valerie, 1992 Allied Brass Mfg. Co., Catalog, 8 pages.

Wall-Door & Cabinet Hardware, Allied Brass Mfg. Co., 1 page.

“PMC” Monte Carlo, Allied Brass Mfg. Co., 1 page.

* cited by examiner

Primary Examiner—Brian N Vinson

(74) *Attorney, Agent, or Firm*—Carter Ledyard & Milburn LLP; John M. Johnson

(57) **CLAIM**

The ornamental design for a towel bar, substantially as shown and described.

DESCRIPTION

FIG. 1 is a perspective view of a towel bar according to the present invention, the elements of the fixture being shown in broken lines and thus not forming a part of the claimed design;

FIG. 2 is a front view thereof;

FIG. 3 is a back view thereof;

FIG. 4 is a right side view thereof;

FIG. 5 is a left side view thereof;

FIG. 6 is top view thereof; and,

FIG. 7 is a bottom view thereof.

1 Claim, 3 Drawing Sheets

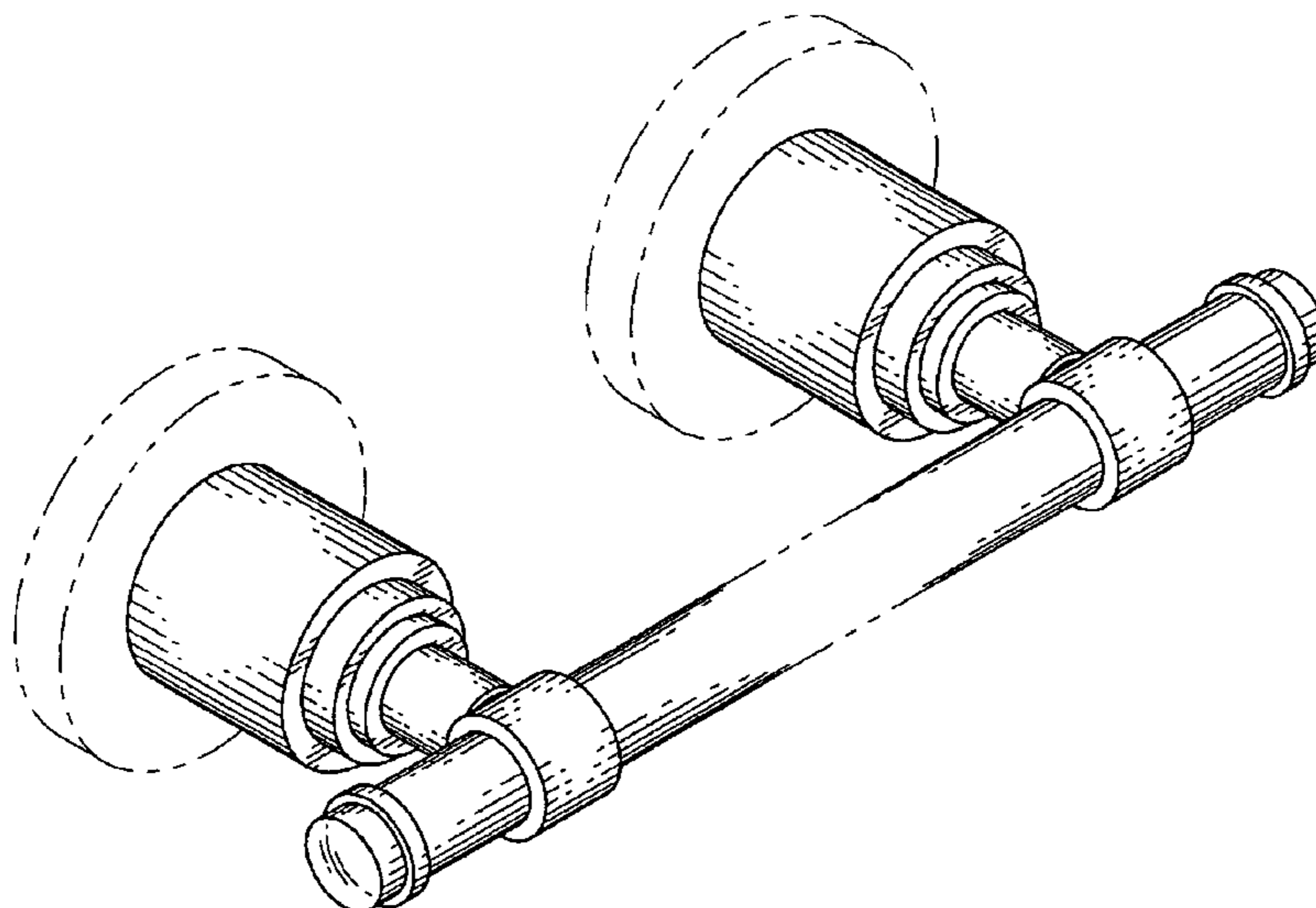


FIG. 1

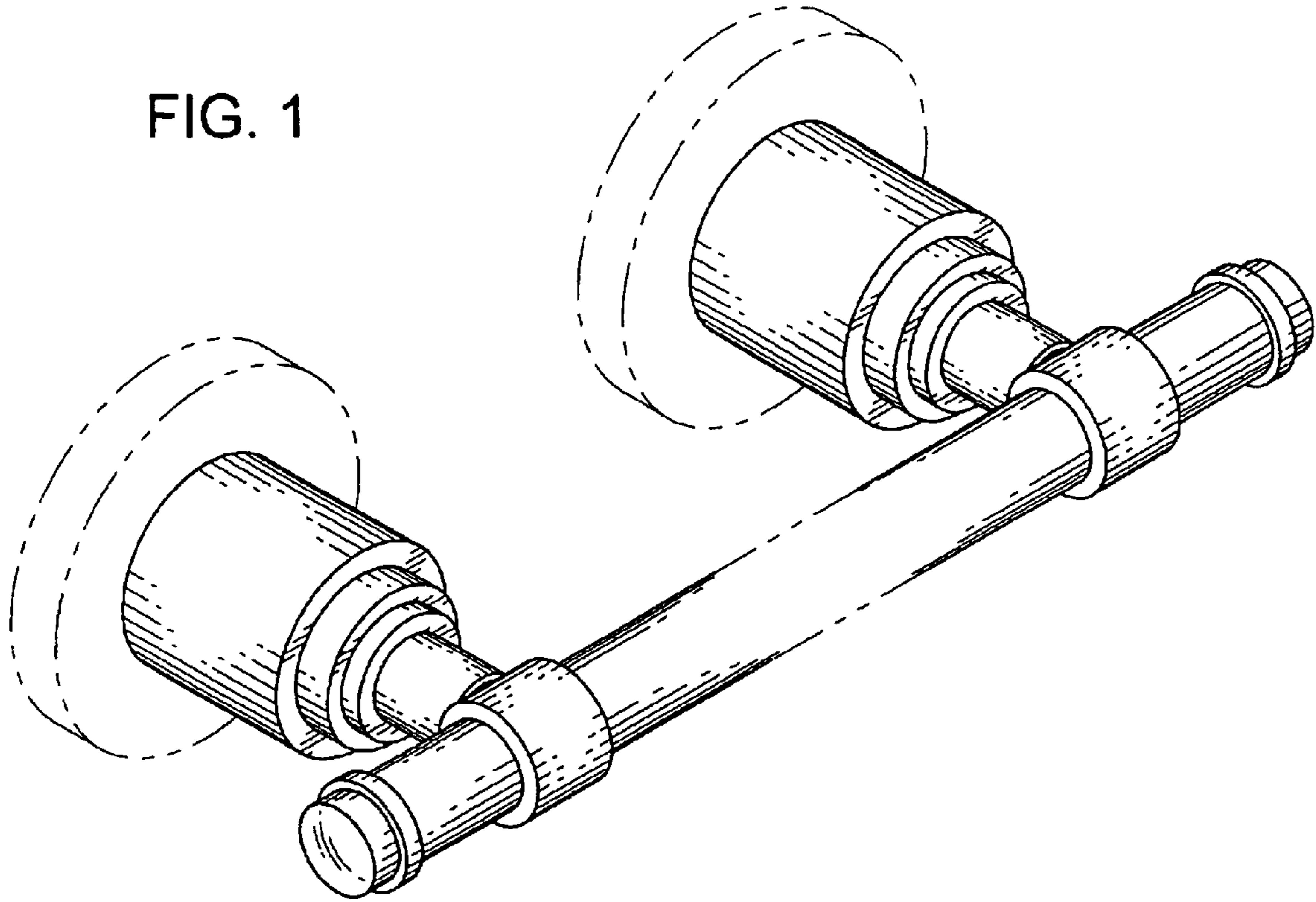


FIG. 4

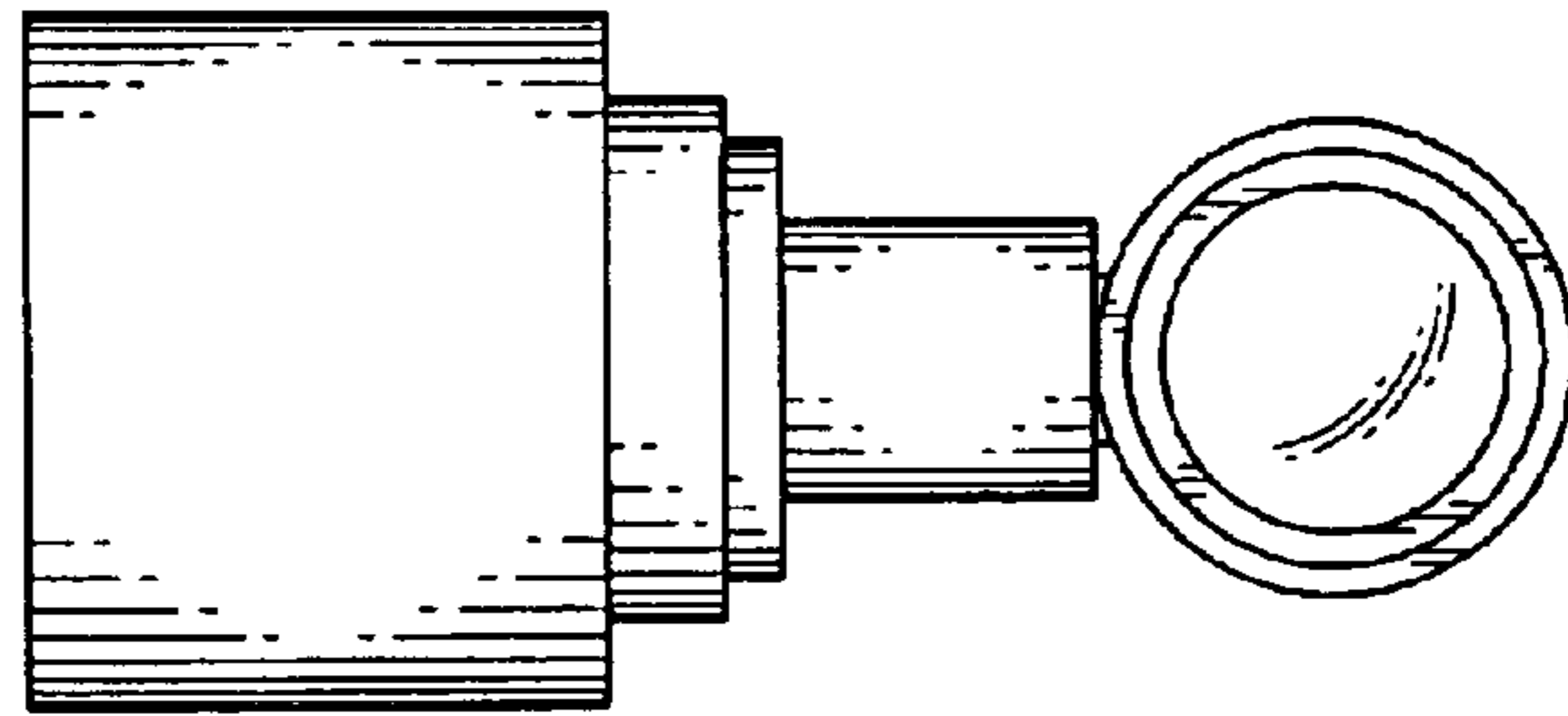


FIG. 5

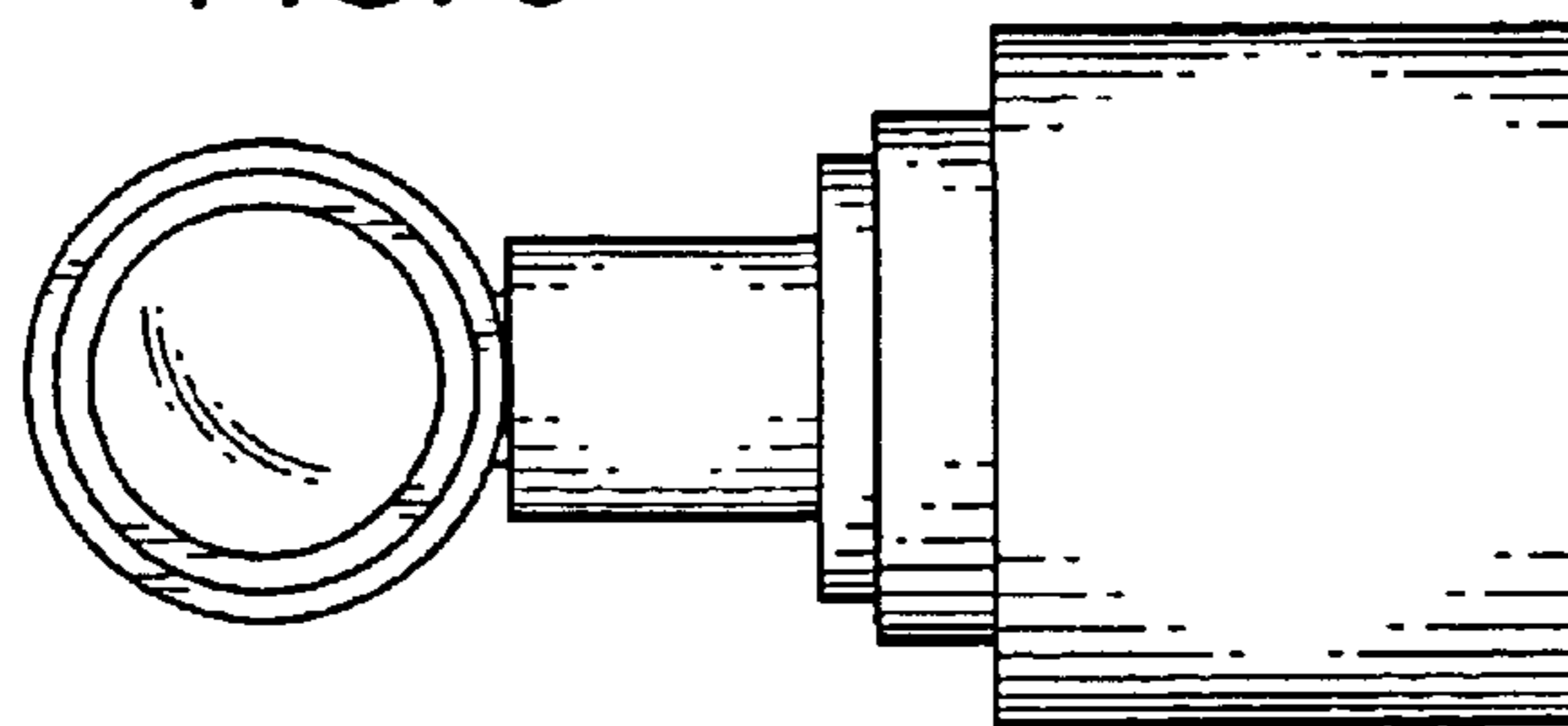


FIG. 2

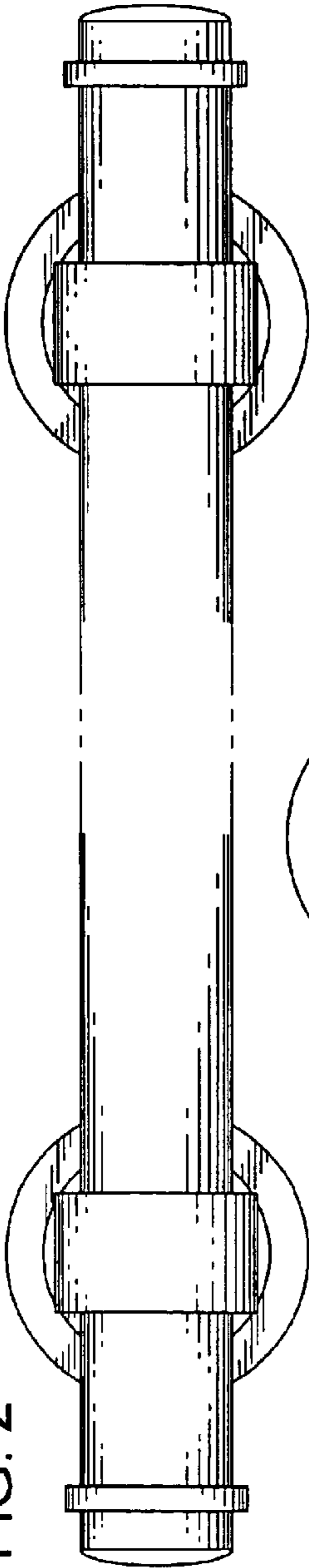


FIG. 3

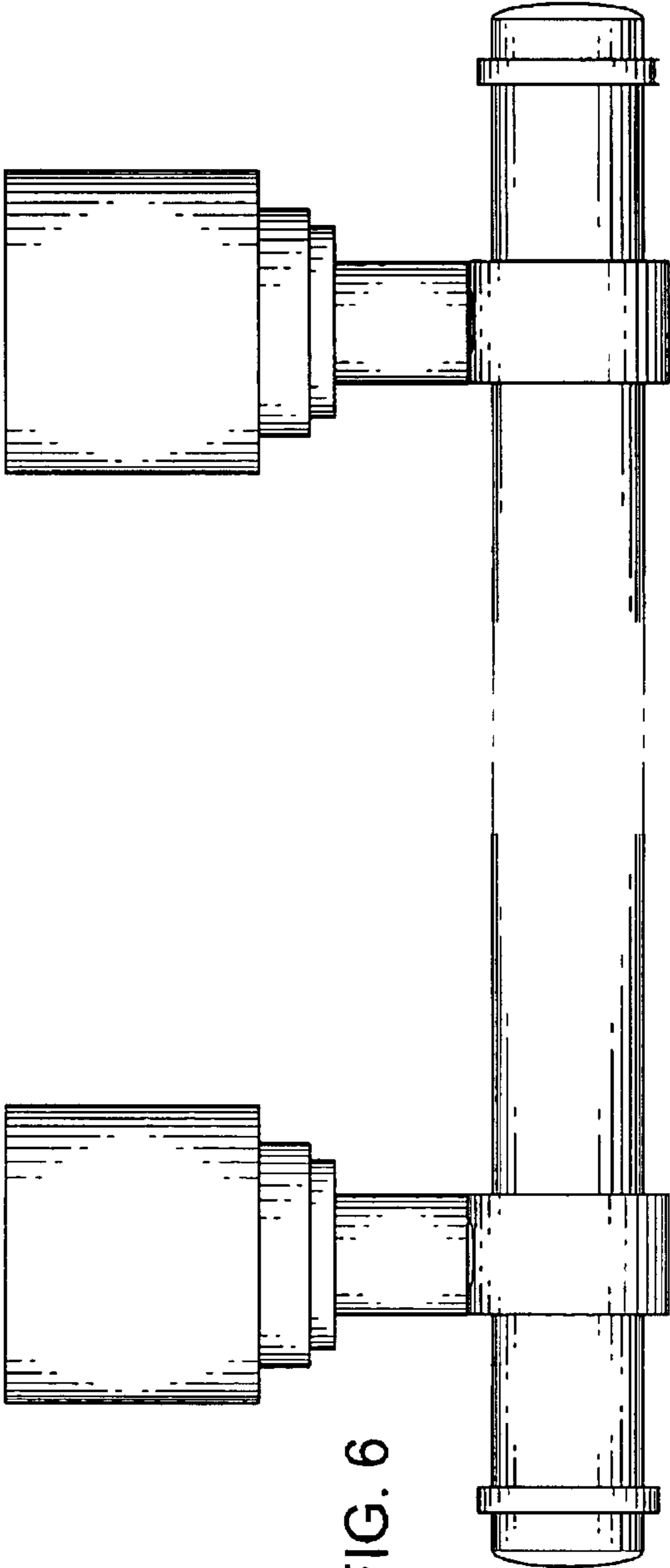
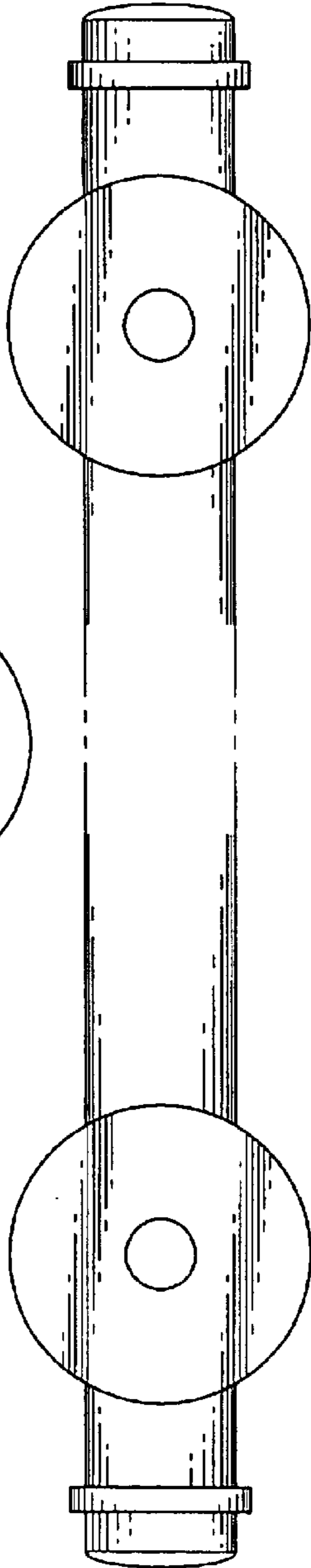


FIG. 6

FIG. 7

