

US00D503060S

(12) **United States Design Patent**
Linder

(10) **Patent No.:** **US D503,060 S**
(45) **Date of Patent:** **** Mar. 22, 2005**

- (54) **WORKSTATION ASSEMBLY**
- (75) Inventor: **Steven E. Linder**, Portland, OR (US)
- (73) Assignee: **Anthro Corporation**, Tualatin, OR (US)
- (**) Term: **14 Years**
- (21) Appl. No.: **29/194,327**
- (22) Filed: **Nov. 21, 2003**

D440,798 S 4/2001 Kuhlman et al.
 D468,142 S 1/2003 Plavsic
 D486,679 S * 2/2004 Linder D6/511

* cited by examiner

Primary Examiner—Janice E. Seeger

(74) *Attorney, Agent, or Firm*—Stoel Rives LLP

(57) **CLAIM**

I claim the ornamental design for a workstation assembly, as shown and described.

Related U.S. Application Data

- (62) Division of application No. 29/160,410, filed on May 10, 2002, now Pat. No. Des. 486,679.
- (51) **LOC (7) Cl.** **06-06**
- (52) **U.S. Cl.** **D6/511**
- (58) **Field of Search** D6/480–489, 511, D6/427; 108/50.01, 50.02; 312/194–196, 204, 208.1, 208.2, 208.4

DESCRIPTION

FIG. 1 is a rear perspective view of a workstation assembly, in use with its intended environment shown in broken lines; FIG. 2 is a front perspective view thereof; FIG. 3 is a front elevation view thereof; FIG. 4 is a rear elevation view thereof; FIG. 5 is a left side elevation view thereof; FIG. 6 is a top plan view thereof; and, FIG. 7 is a bottom plan view thereof.

The broken lines in FIGS. 1–7 are illustrative of an environmental structure only and form no part of the claimed design. The right side elevation view of the workstation assembly is a mirror image of the left side elevation view. Only the left side elevation view is illustrated.

(56) **References Cited**

U.S. PATENT DOCUMENTS

D282,132 S 1/1986 Santner
 D367,378 S 2/1996 Green et al.
 D396,576 S 8/1998 Moore

1 Claim, 6 Drawing Sheets

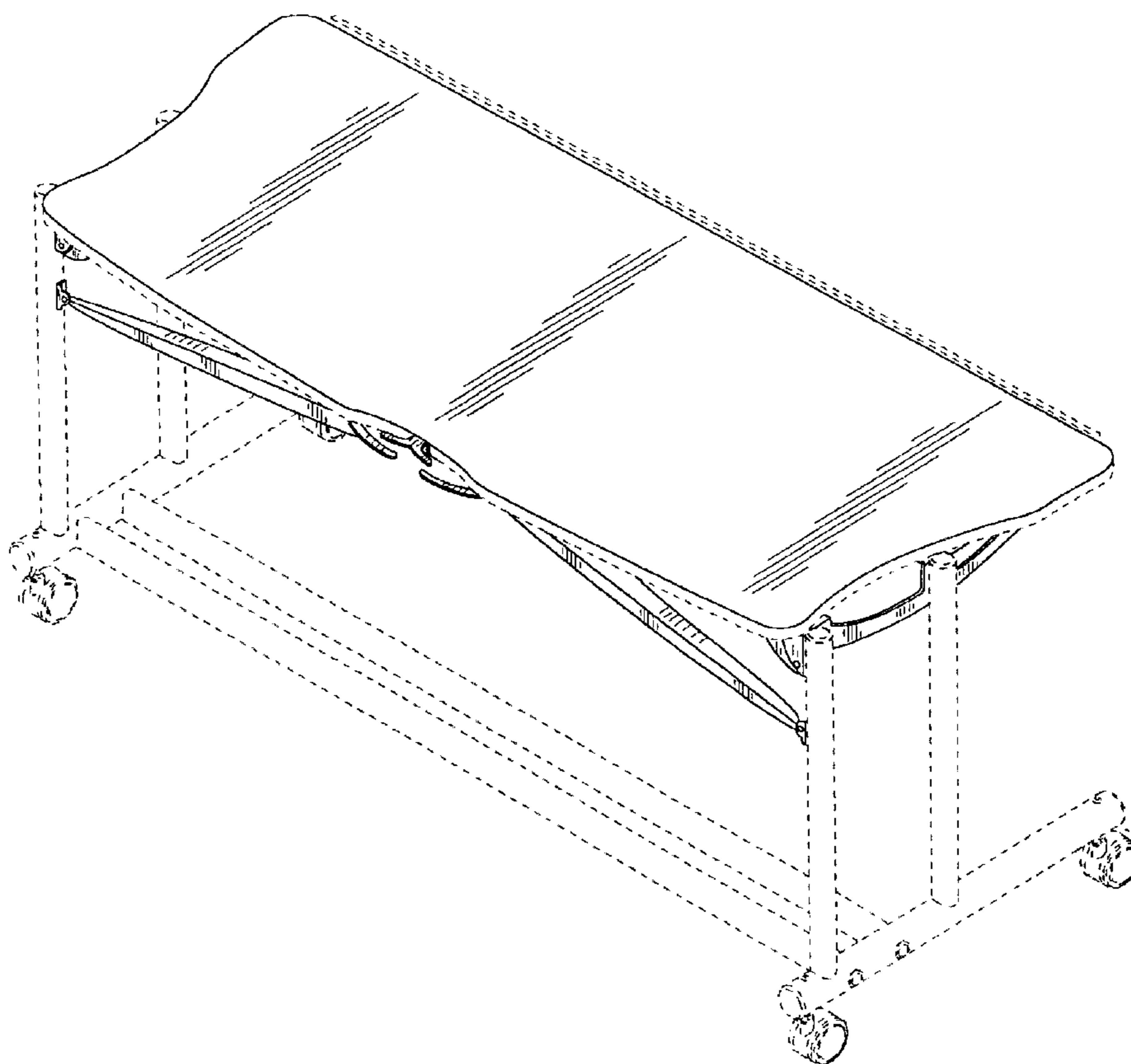


FIG. 1

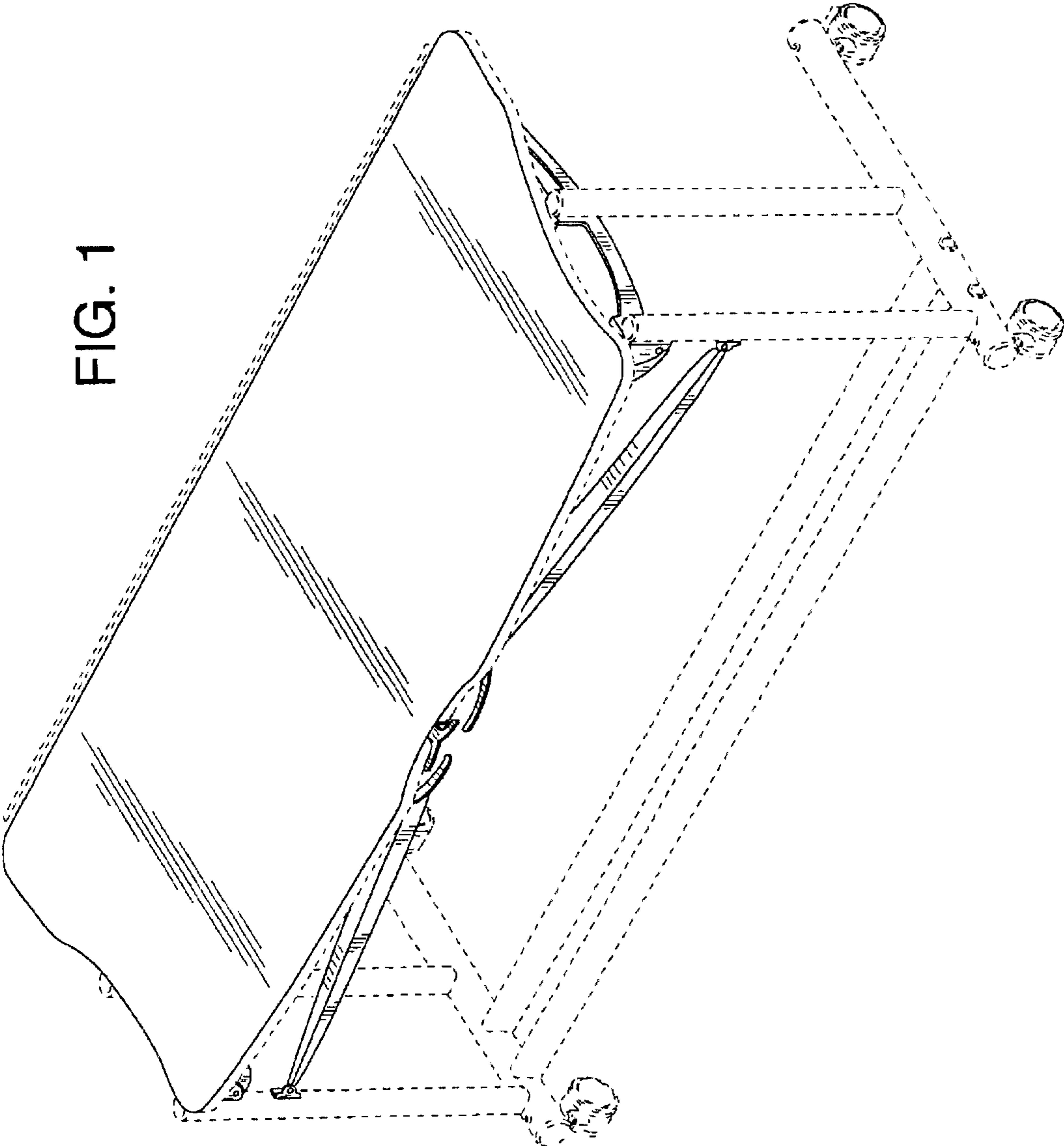
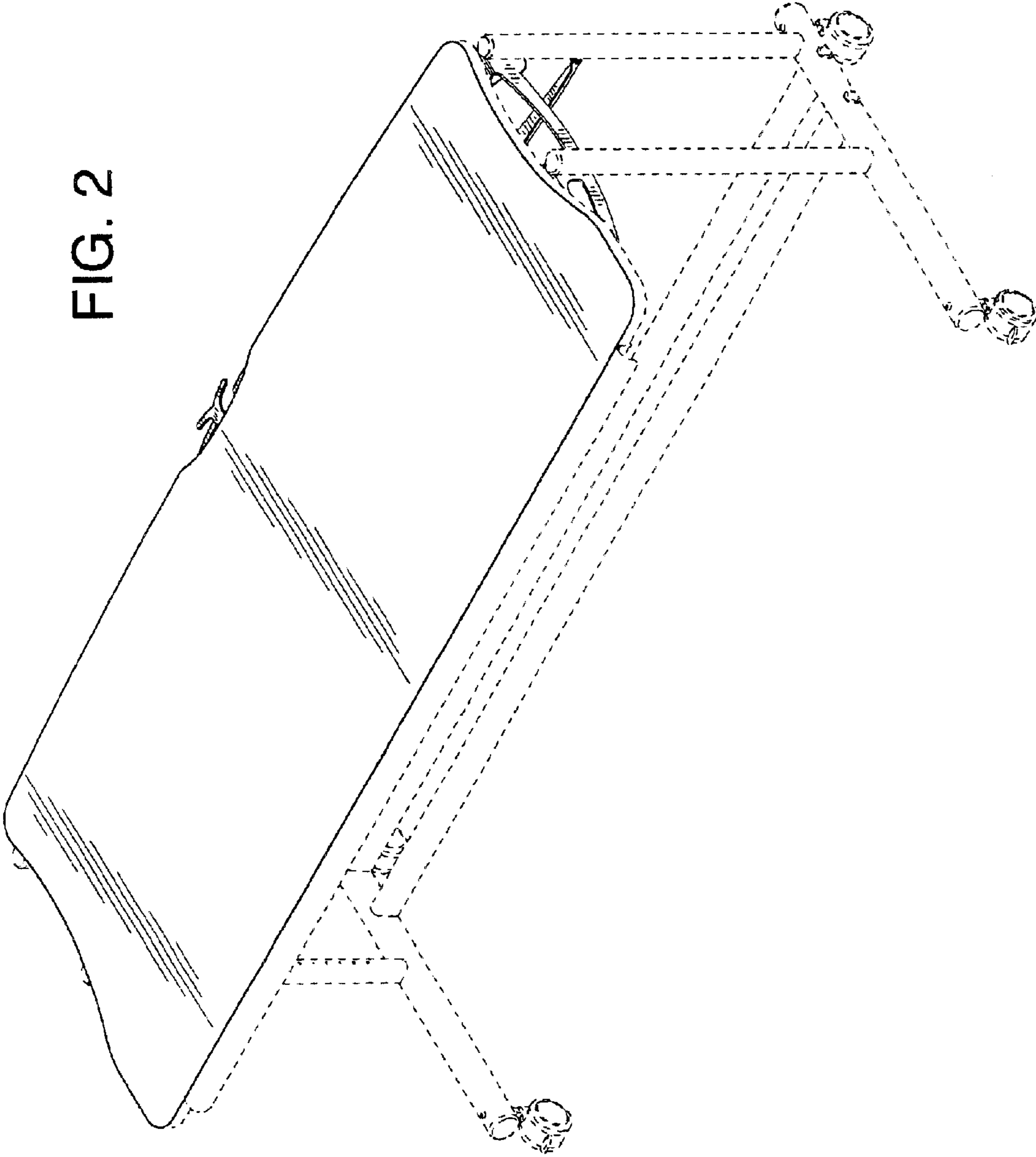


FIG. 2



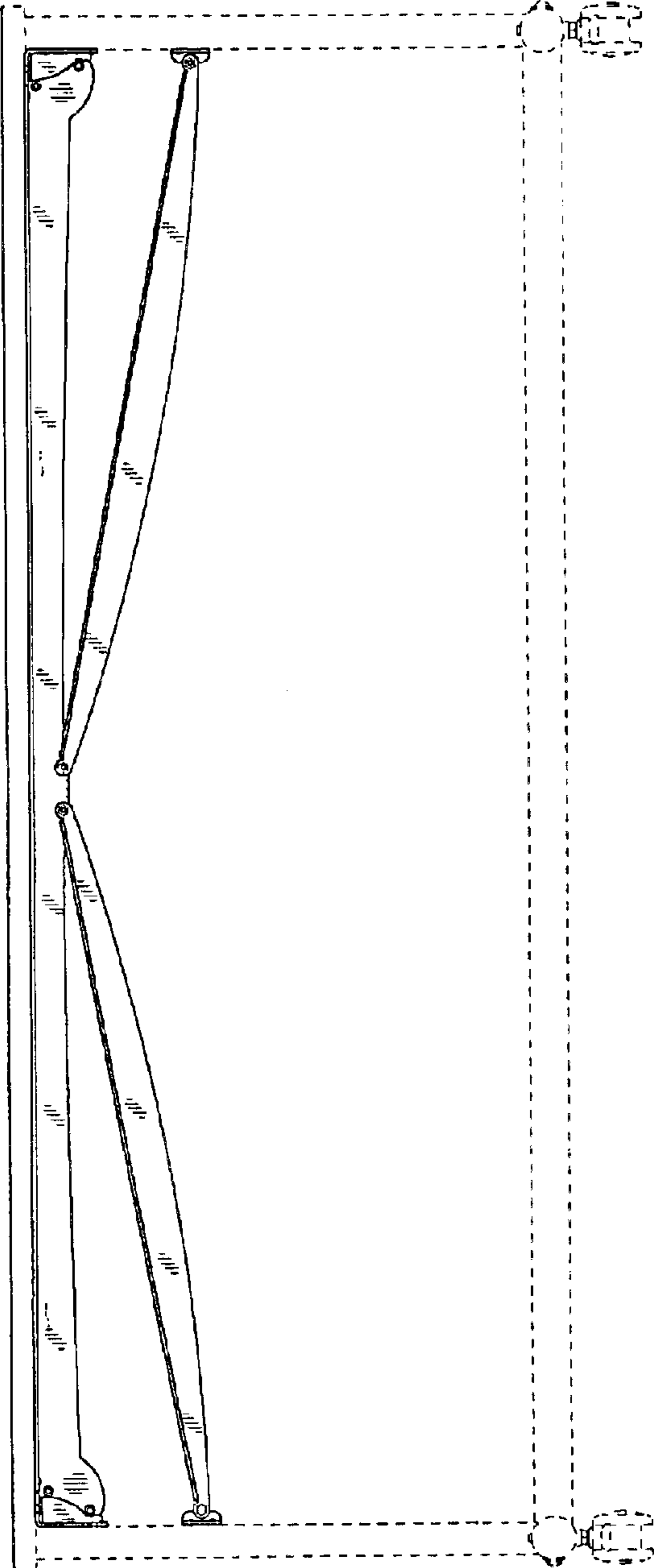


FIG. 3

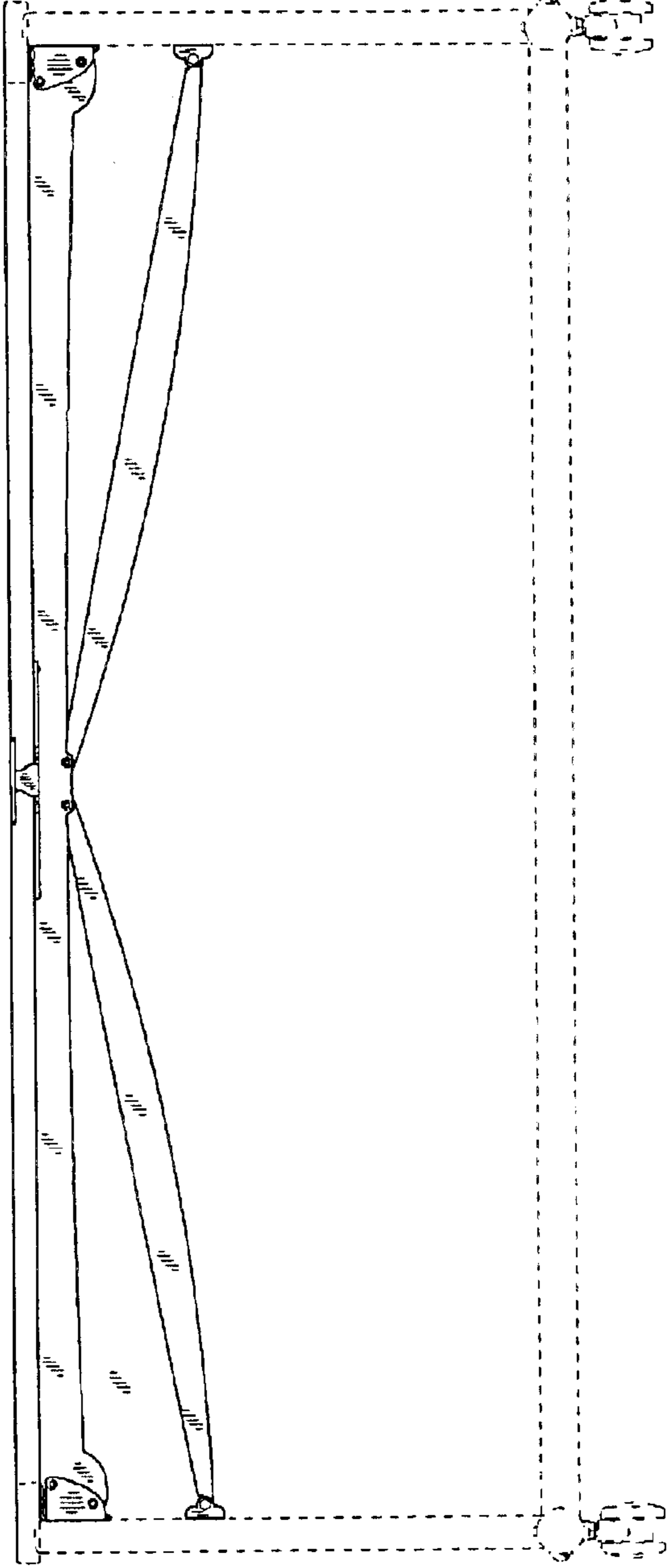


FIG. 4

FIG. 5

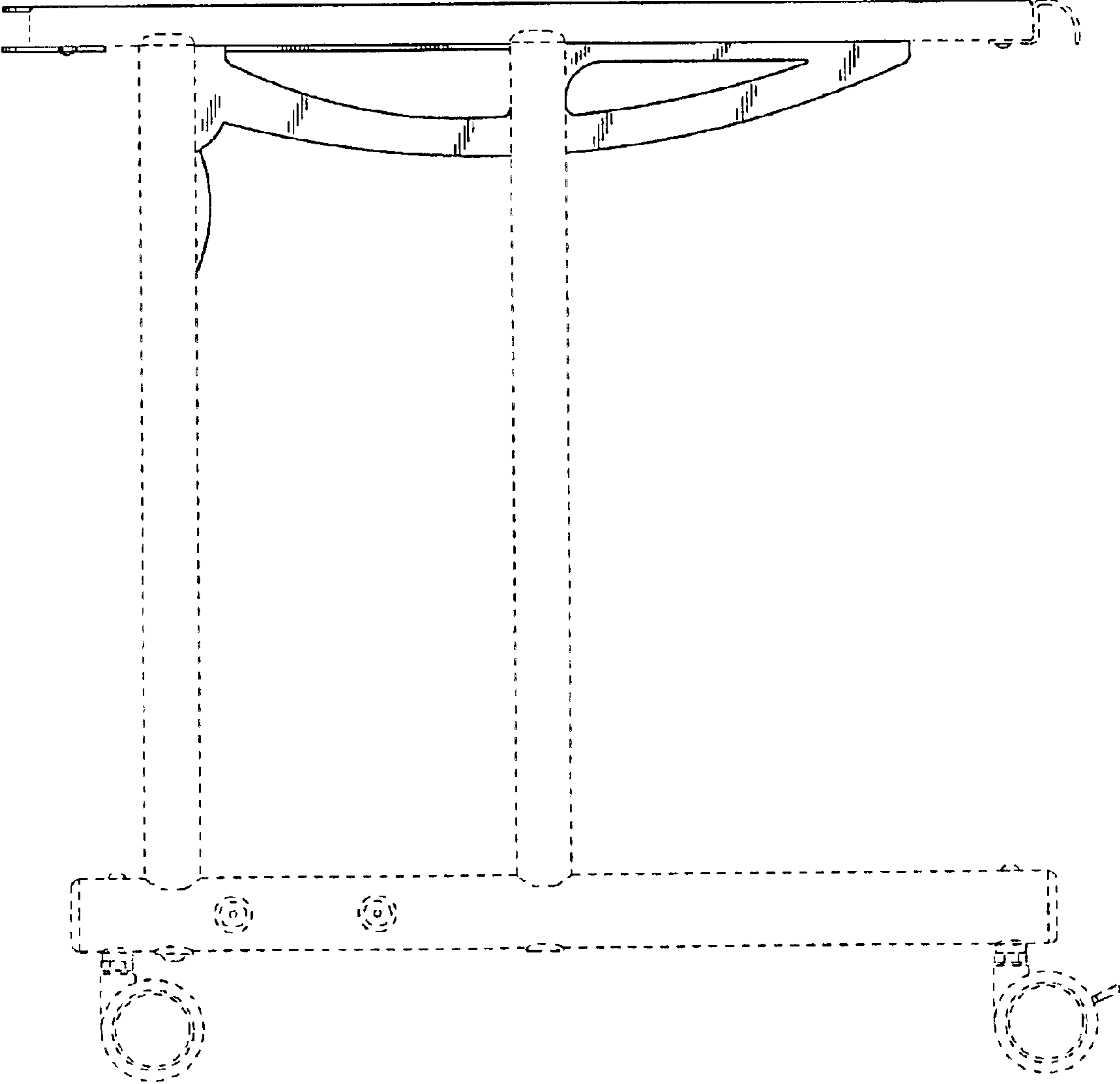


FIG. 6

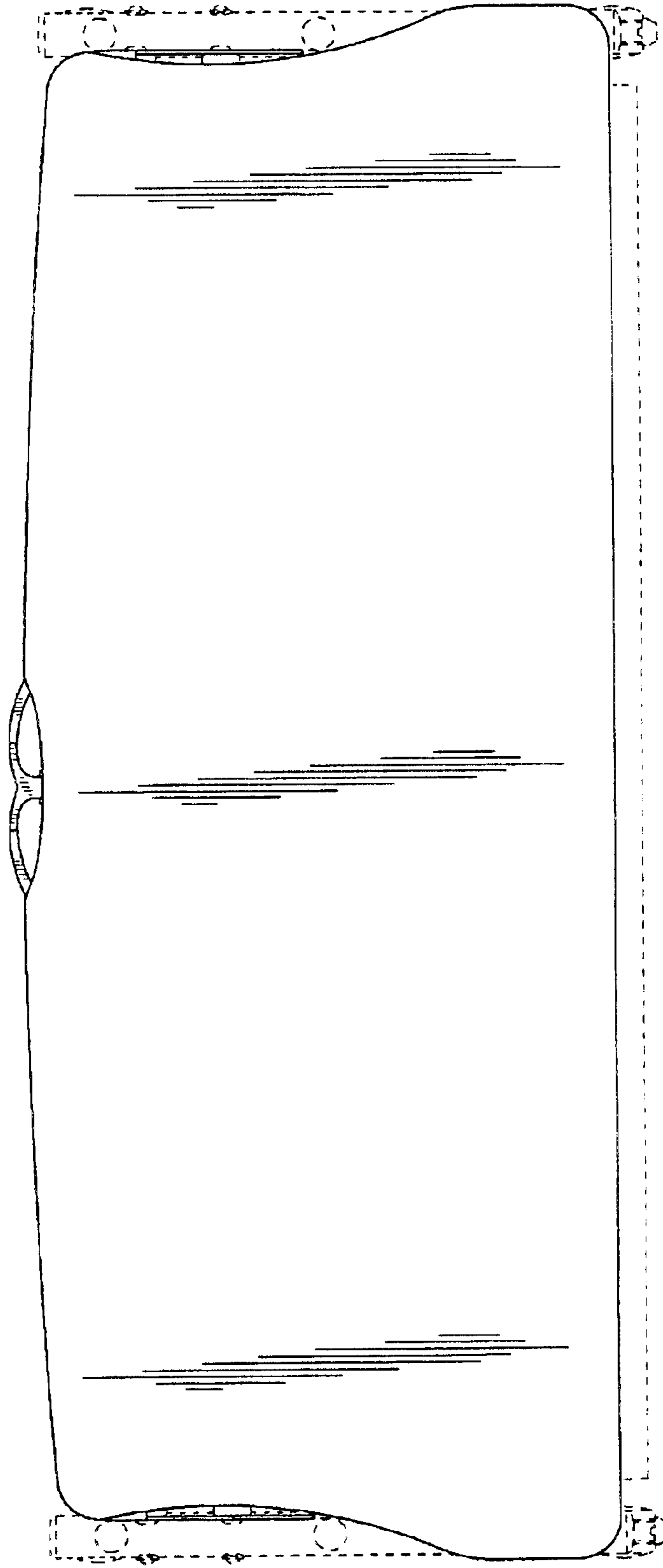


FIG. 7

