



US00D503059S

(12) **United States Design Patent** (10) **Patent No.:** **US D503,059 S**
Post et al. (45) **Date of Patent:** **** Mar. 22, 2005**

(54) **MESH DRAWER**

FOREIGN PATENT DOCUMENTS

(75) Inventors: **R. Neal Post**, Springfield, IL (US);
Christopher Hardy, Springfield, IL (US)

FR 826876 4/1938

(73) Assignee: **Design Ideas, Ltd.**, Springfield, IL (US)

OTHER PUBLICATIONS

(**) Term: **14 Years**

Miller's Office Products, p. 442, item C, 1995.
Container Store, The Ultimate Closet Planning Guide, pp. 1-43, revised Nov. 2001.
Design Ideas Catalog, pp. 24, 26, 27, 29 and cover, 1995.

(21) Appl. No.: **29/174,055**

Primary Examiner—Cathron Brooks

(22) Filed: **Jan. 10, 2003**

(74) *Attorney, Agent, or Firm*—SAIDMAN DesignLaw Group

(51) **LOC (7) Cl.** **06-06**

(57) **CLAIM**

(52) **U.S. Cl.** **D6/510; D3/306**

The ornamental design for a portion of a mesh drawer, as shown and described.

(58) **Field of Search** D6/449, 460, 462, D6/464, 465, 475, 510; D3/309-315, 901, 905; D19/75, 90; 211/13.1, 85.3, 49.1, 126.1, 126.9, 133.2, 188, 181.1, 183; 120/485, 491-494

DESCRIPTION

(56) **References Cited**

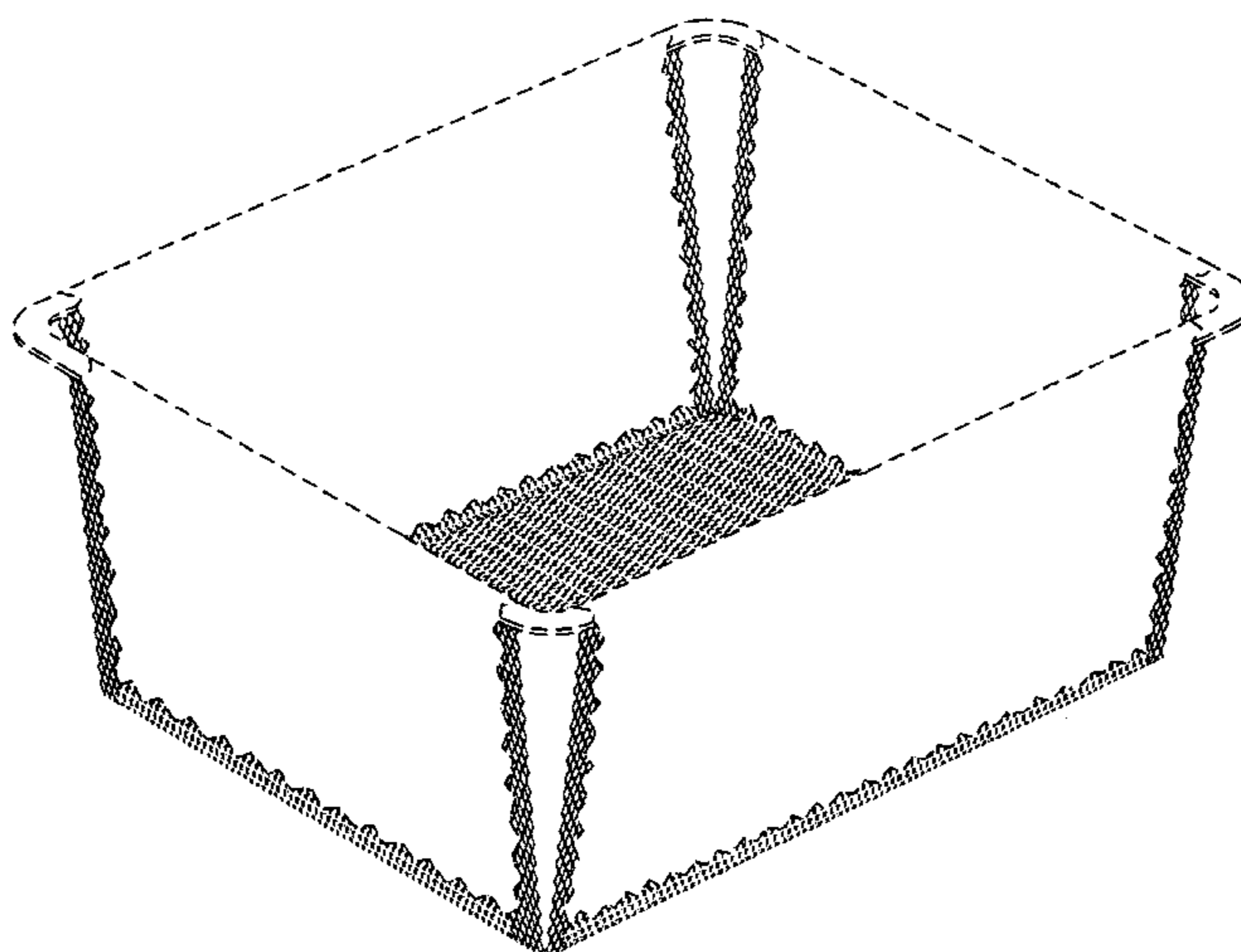
U.S. PATENT DOCUMENTS

297,382 A	4/1884	Golding	
920,313 A	5/1909	Franklin	
1,098,053 A	* 5/1914	Porter	220/485
1,408,026 A	2/1922	Ochiltree	
1,445,259 A	2/1923	Wiselogel	
1,463,098 A	7/1923	Snyder	
RE16,431 E	9/1926	Kratzer	
2,502,781 A	4/1950	Erickson	
D182,349 S	3/1958	Alvord	
D189,544 S	1/1961	Harris	
D189,550 S	1/1961	Alvord	
D194,513 S	2/1963	Sparling	
3,120,323 A	2/1964	Sparling	
D204,314 S	4/1966	Bright	
4,339,048 A	7/1982	McMillen et al.	
D267,395 S	12/1982	Groenewold et al.	
D303,444 S	* 9/1989	Yoshikawa	D6/465 X

FIG. 1 is a perspective view of a first embodiment of a portion of a mesh drawer showing our new design; FIG. 2 is a front view thereof; FIG. 3 is a rear view thereof; FIG. 4 is side view thereof, the opposite side view being identical thereto; FIG. 5 is a top view thereof; FIG. 6 is a bottom view thereof; and, FIG. 7 is a perspective view of a second embodiment of a portion of a mesh drawer showing our new design. The jagged broken lines surrounding the U-shaped opening in each of the four side walls of the mesh drawer represent boundaries of the design claimed, and form no part of the claimed design. The jagged broken lines at the bottom of the corners represent boundaries of the designs claimed and also form no part of the claimed designs. The mesh material shown along the bottom of the four side walls of the drawer, and the mesh material shown on the bottom of the drawer, is shown in broken lines and forms no part of the claimed design.

(List continued on next page.)

1 Claim, 7 Drawing Sheets



US D503,059 S

Page 2

U.S. PATENT DOCUMENTS

D329,556 S	*	9/1992	Brussing	D6/468	D434,074 S	*	11/2000	Hardy	D3/306 X
D341,459 S	*	11/1993	Yang	D34/21	D436,239 S	*	1/2001	Walsh	D34/21
D360,531 S		7/1995	Griffith		D436,466 S	*	1/2001	Luong et al.	D6/478
5,810,179 A	*	9/1998	Kleiman	211/88.01	D438,402 S	*	3/2001	Walsh	D6/449
D411,045 S	*	6/1999	Morandi	D6/465 X	D450,481 S	*	11/2001	Post	D6/465
D416,165 S		11/1999	Zemel		D451,675 S	*	12/2001	Hardy et al.	D3/306
D419,302 S	*	1/2000	Hardy et al.	D3/306	D455,029 S	*	4/2002	Gusdorf	D6/462
6,032,965 A	*	3/2000	Sabounjian	280/47.35	D460,848 S	*	7/2002	Tzeng	D34/21

* cited by examiner

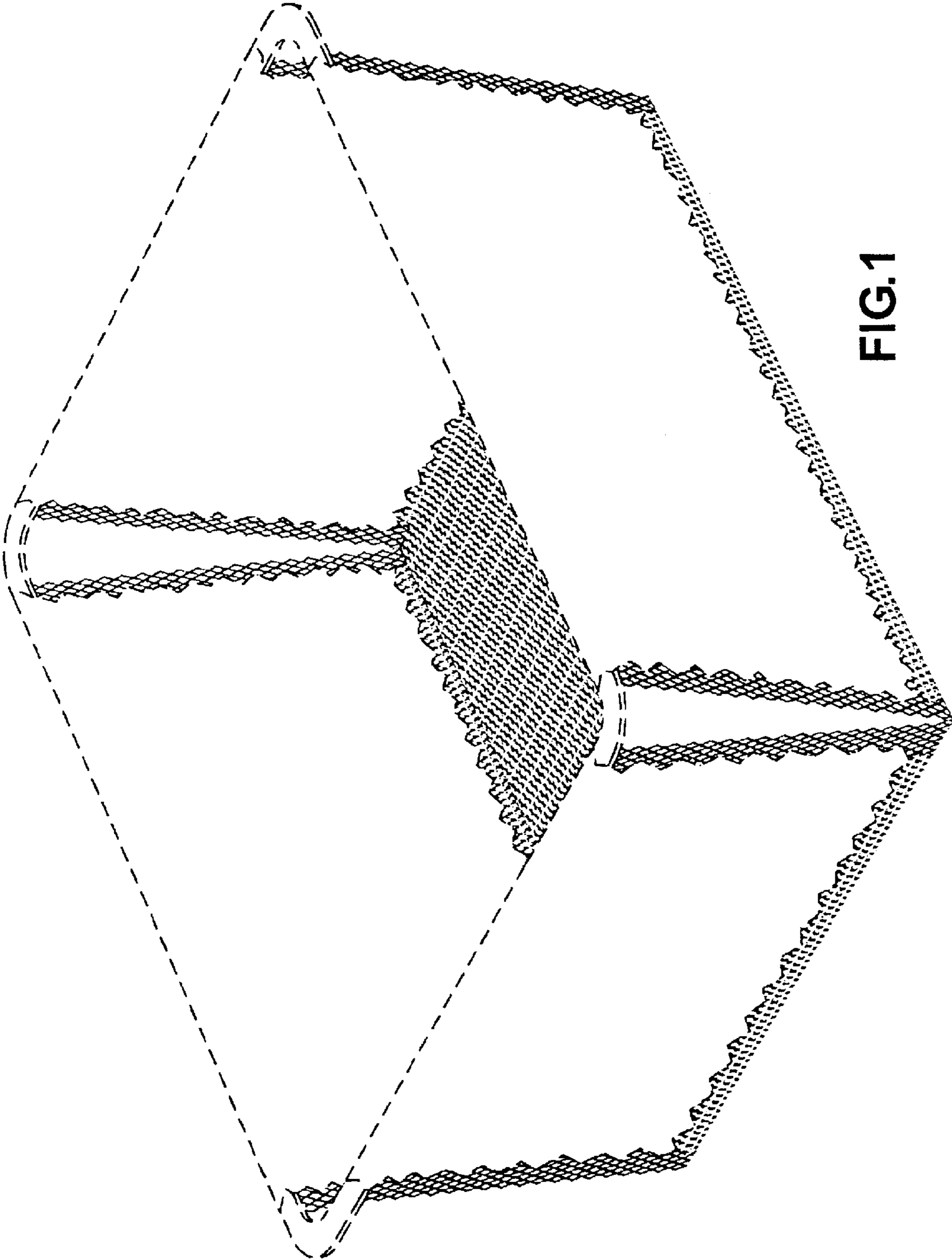


FIG. 1

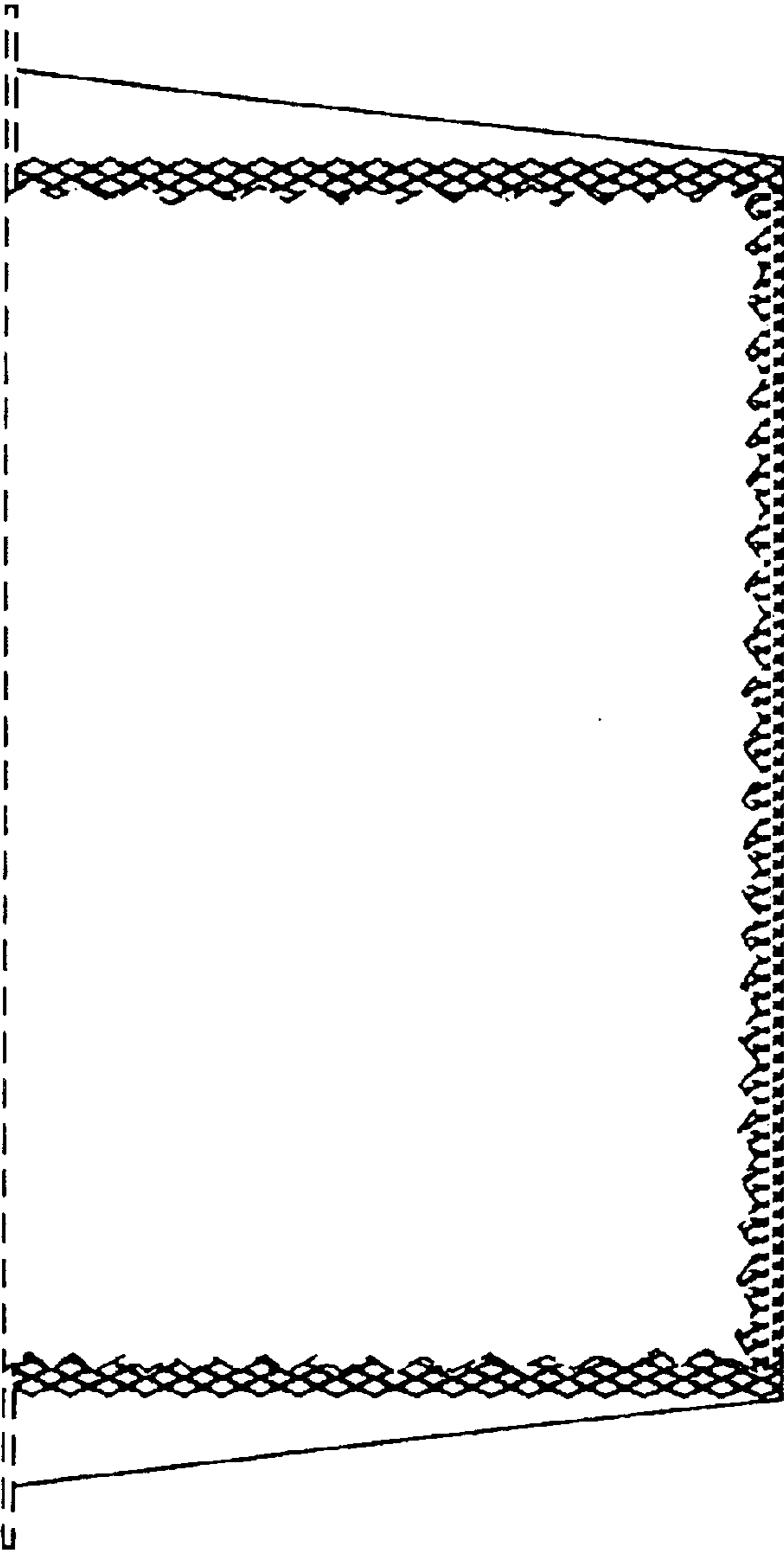


FIG. 2

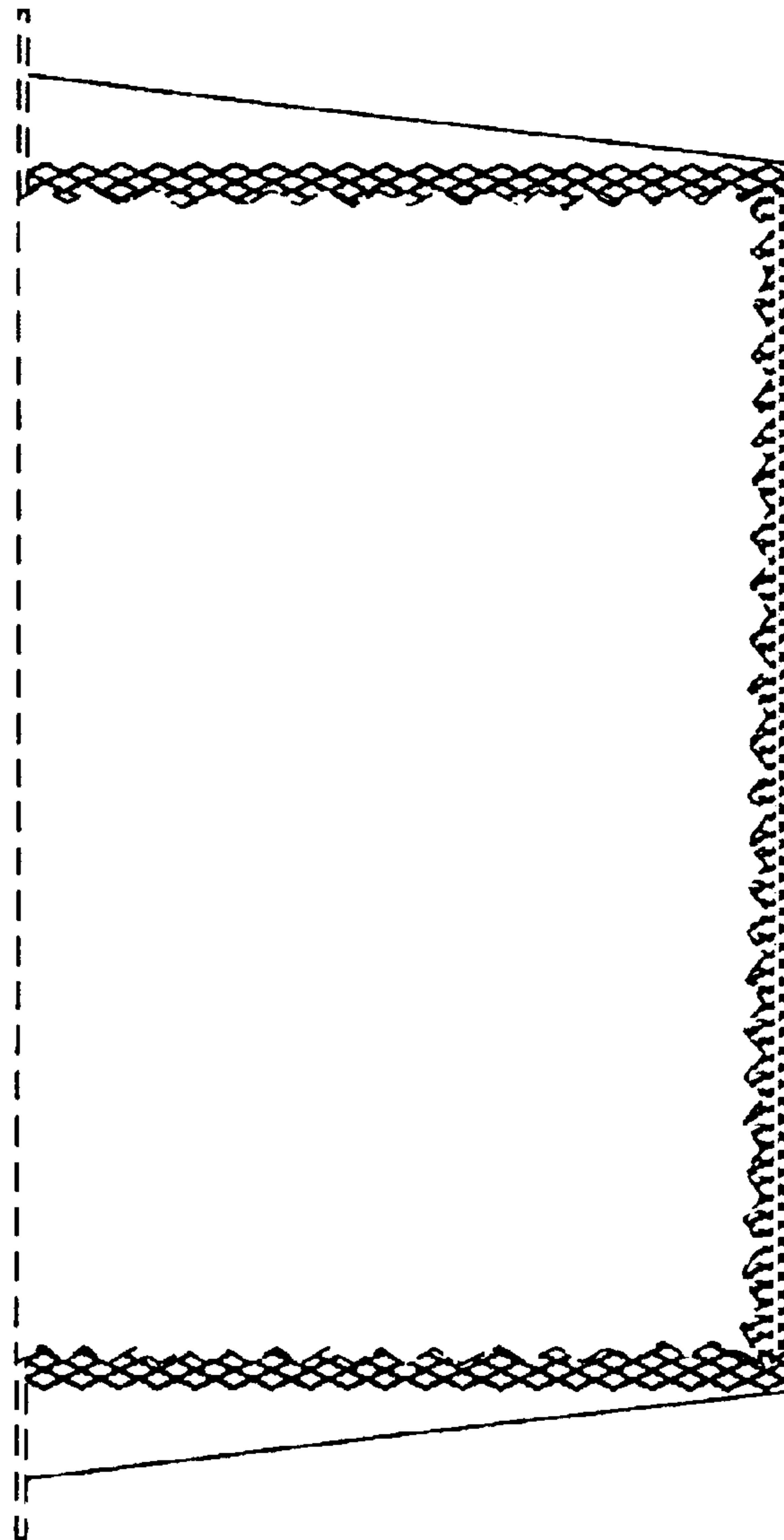


FIG.3

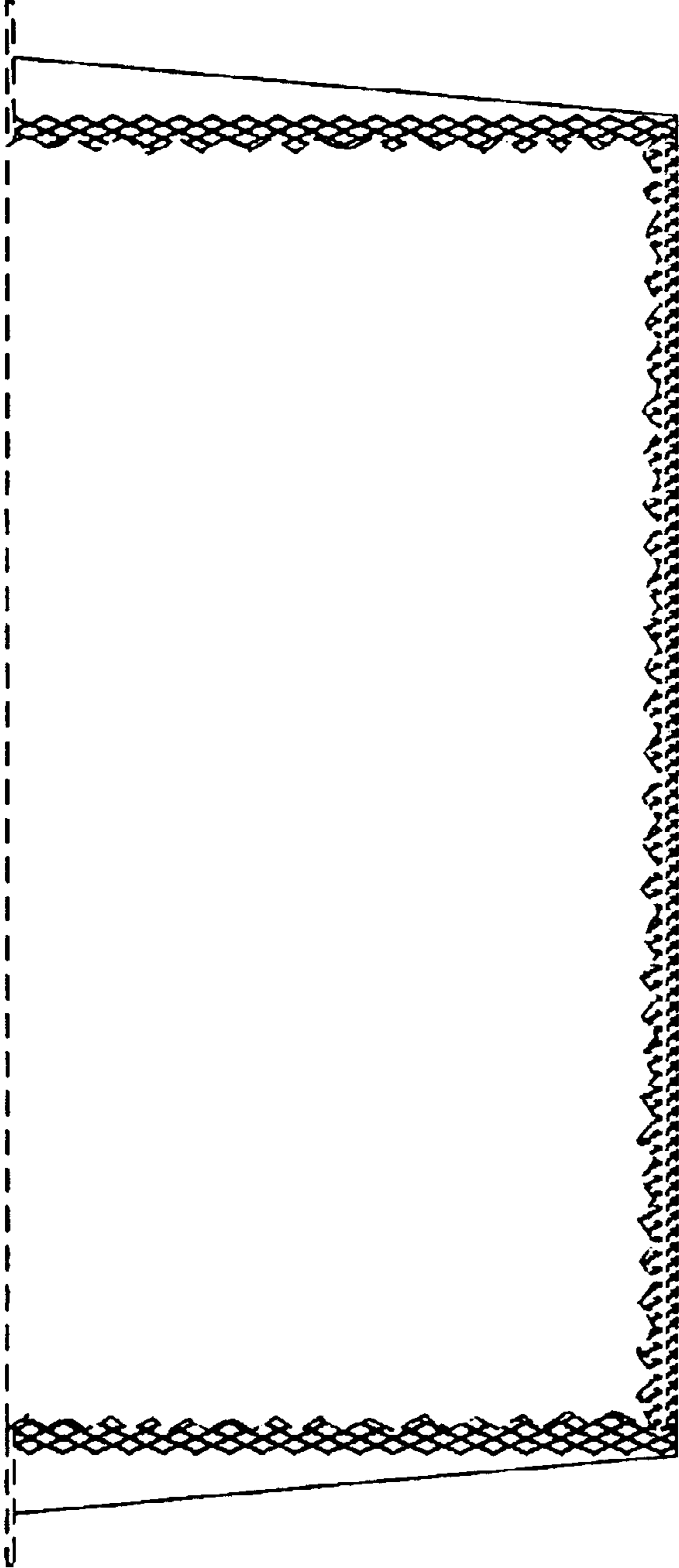


FIG. 4

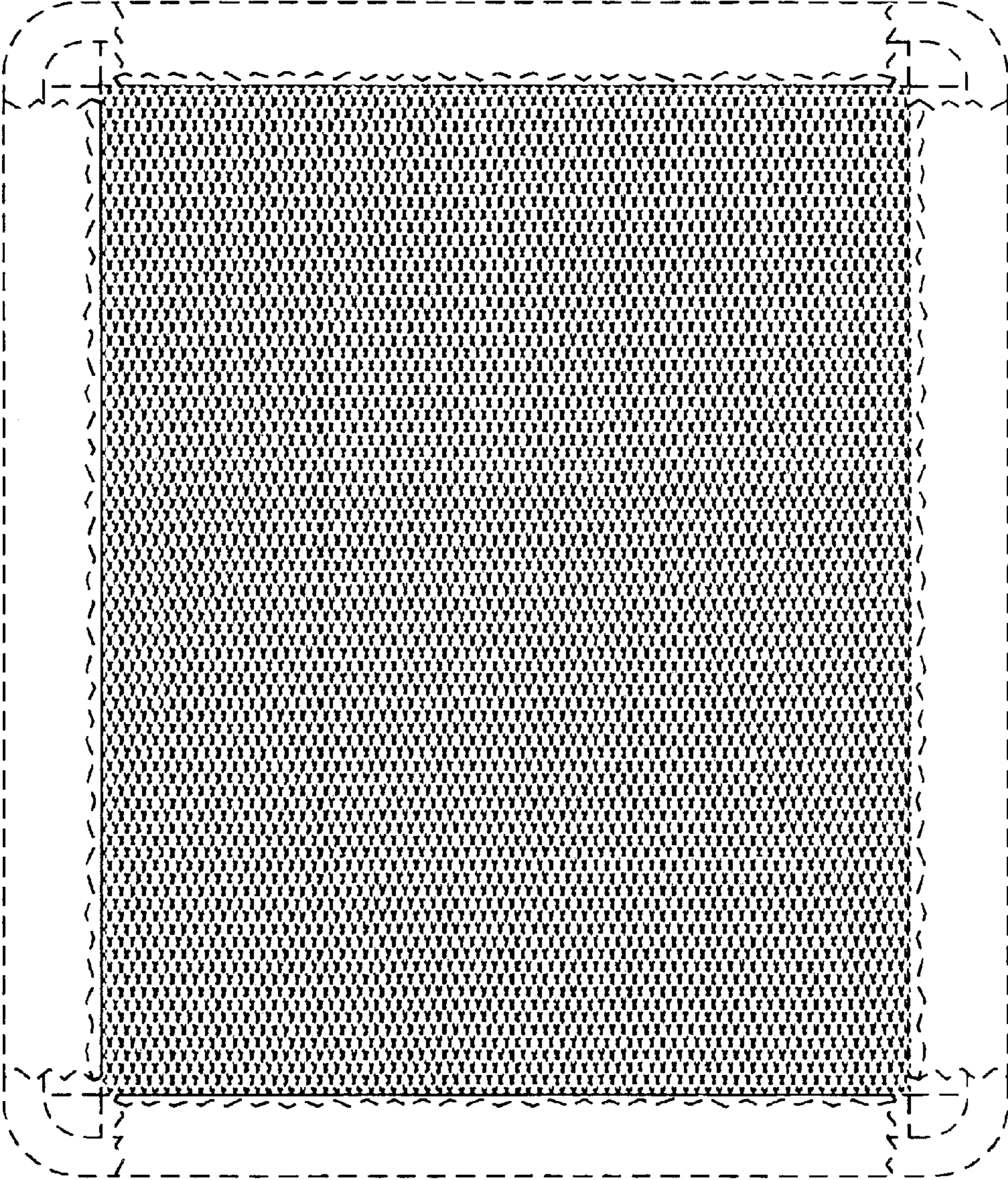


FIG.5

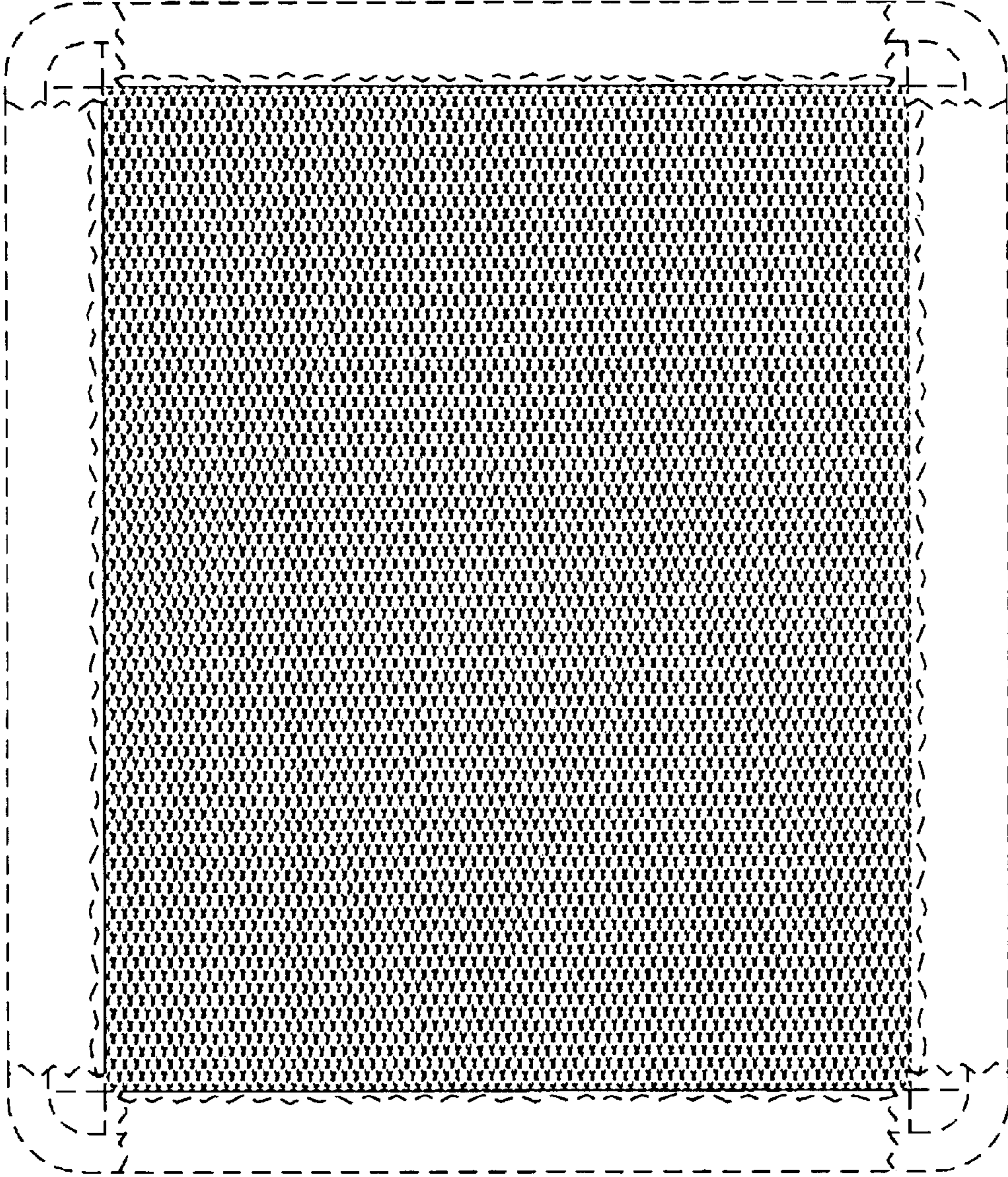


FIG.6

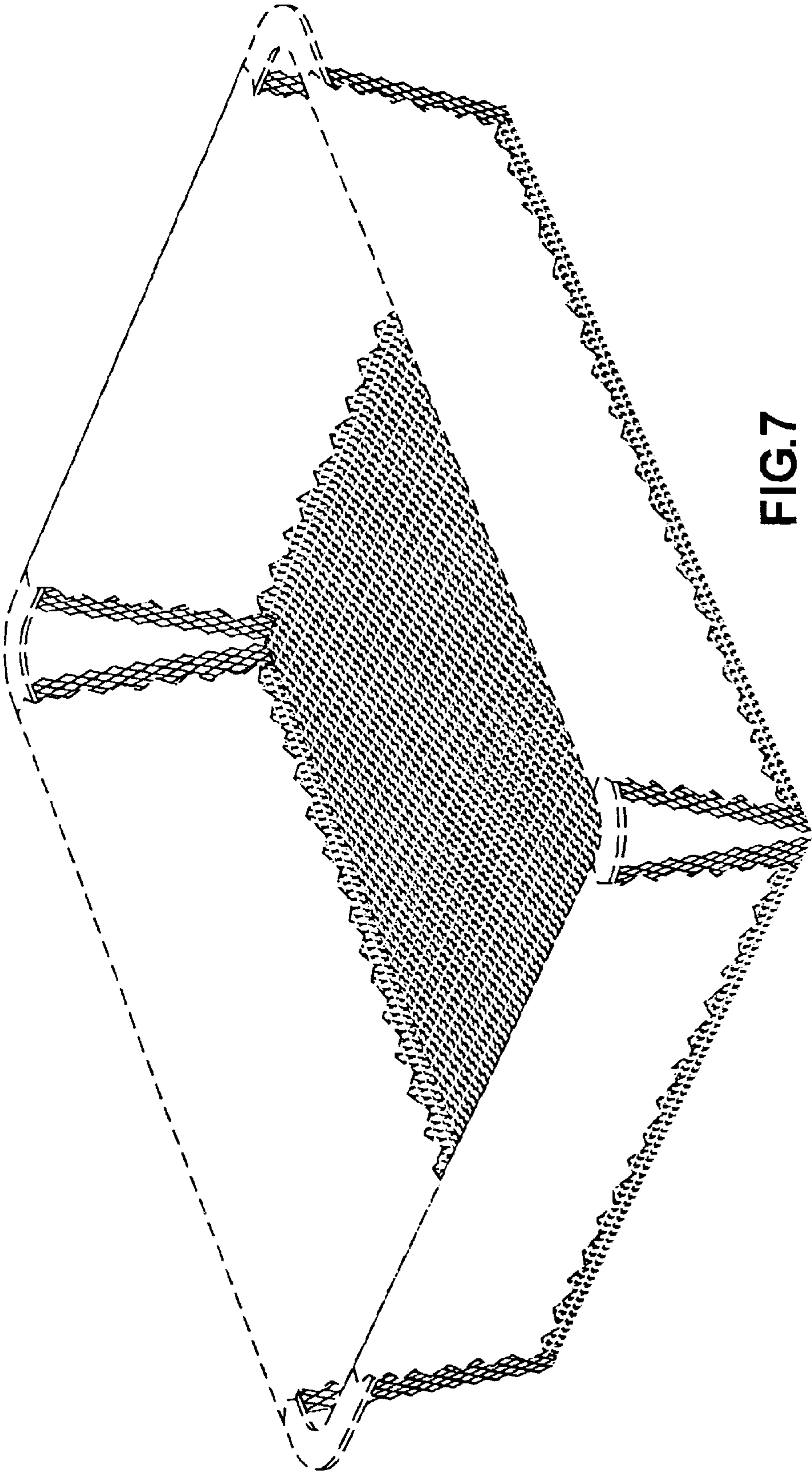


FIG.7

UNITED STATES PATENT AND TRADEMARK OFFICE
CERTIFICATE OF CORRECTION

PATENT NO. : Des. 503,059 S
APPLICATION NO. : 29/174055
DATED : March 22, 2005
INVENTOR(S) : R. Neal Post et al.

Page 1 of 1

It is certified that error appears in the above-identified patent and that said Letters Patent is hereby corrected as shown below:

The title of invention on the patent's first page: Item (54)

Delete
MESH DRAWER

Insert
PORTION OF A MESH DRAWER

Signed and Sealed this

Seventeenth Day of April, 2007

A handwritten signature in black ink on a light gray dotted background. The signature reads "Jon W. Dudas" in a cursive style.

JON W. DUDAS

Director of the United States Patent and Trademark Office