

US00D503054S

(12) **United States Design Patent**
Olson

(10) **Patent No.:** **US D503,054 S**

(45) **Date of Patent:** **** Mar. 22, 2005**

(54) **CHAIR BASE**

(75) **Inventor:** **Ogden R. Olson**, Muscatine, IA (US)

(73) **Assignee:** **HON Technology Inc.**, Muscatine, IA (US)

(**) **Term:** **14 Years**

(21) **Appl. No.:** **29/183,580**

(22) **Filed:** **Jun. 13, 2003**

(51) **LOC (7) Cl.** **06-06**

(52) **U.S. Cl.** **D6/499; D6/373; D6/500**

(58) **Field of Search** D6/334, 335, 371, D6/372, 373, 374, 375, 376, 379, 380, 500-502; 297/445.1, 447.1, 448.2, 451.3

(56) **References Cited**

U.S. PATENT DOCUMENTS

70,756 A	11/1867	Smith, Jr.	
2,675,059 A	4/1954	Martin	
2,679,282 A	5/1954	Anderegg	
2,708,960 A	5/1955	Shepard	
D231,757 S	* 6/1974	Golzer	D6/373
3,847,433 A	11/1974	Acton et al.	
D235,711 S	* 7/1975	Acton	D6/373
D256,409 S	* 8/1980	Wilson	D6/373 X
4,522,444 A	6/1985	Pollock	
4,597,604 A	7/1986	Singer	
4,674,795 A	6/1987	Nelson	
4,699,422 A	10/1987	Yamasaki	
4,787,672 A	* 11/1988	Werner	D6/371 X
D299,293 S	* 1/1989	Nelson	D6/372
D321,994 S	* 12/1991	Scheper	D6/373
D337,003 S	7/1993	Rowland	
D342,839 S	1/1994	Olson	

D346,073 S	* 4/1994	Hamelink	D6/373
D367,185 S	2/1996	Olson	
D395,765 S	* 7/1998	Preisig	D6/372
D397,880 S	9/1998	Saul	
5,823,626 A	10/1998	Haas	
D423,805 S	5/2000	Olson	
D437,704 S	2/2001	Koepke et al.	
D446,662 S	* 8/2001	Haas	D6/373
D464,208 S	* 10/2002	Kwon	D6/373
D490,622 S	* 6/2004	Olson	D6/373
D493,973 S	* 8/2004	Olson	D6/373
2003/0090139 A1	5/2003	Kown	

* cited by examiner

Primary Examiner—Gary D. Watson

(74) *Attorney, Agent, or Firm*—Ronald A. Sandler; Jones Day

(57) **CLAIM**

The ornamental design for a chair base, as shown and described.

DESCRIPTION

The design is embodied in the chair base.
FIG. 1 is an isometric view of the chair base showing the new design;
FIG. 2 is a front view thereof;
FIG. 3 is a rear view thereof;
FIG. 4 is a top plan view thereof;
FIG. 5 is a bottom plan view thereof;
FIG. 6 is a left side elevation view thereof; and,
FIG. 7 is a right side elevation view thereof.
The broken lines shown in the views are for illustrative purposes only and form no part of the claimed design.

1 Claim, 4 Drawing Sheets

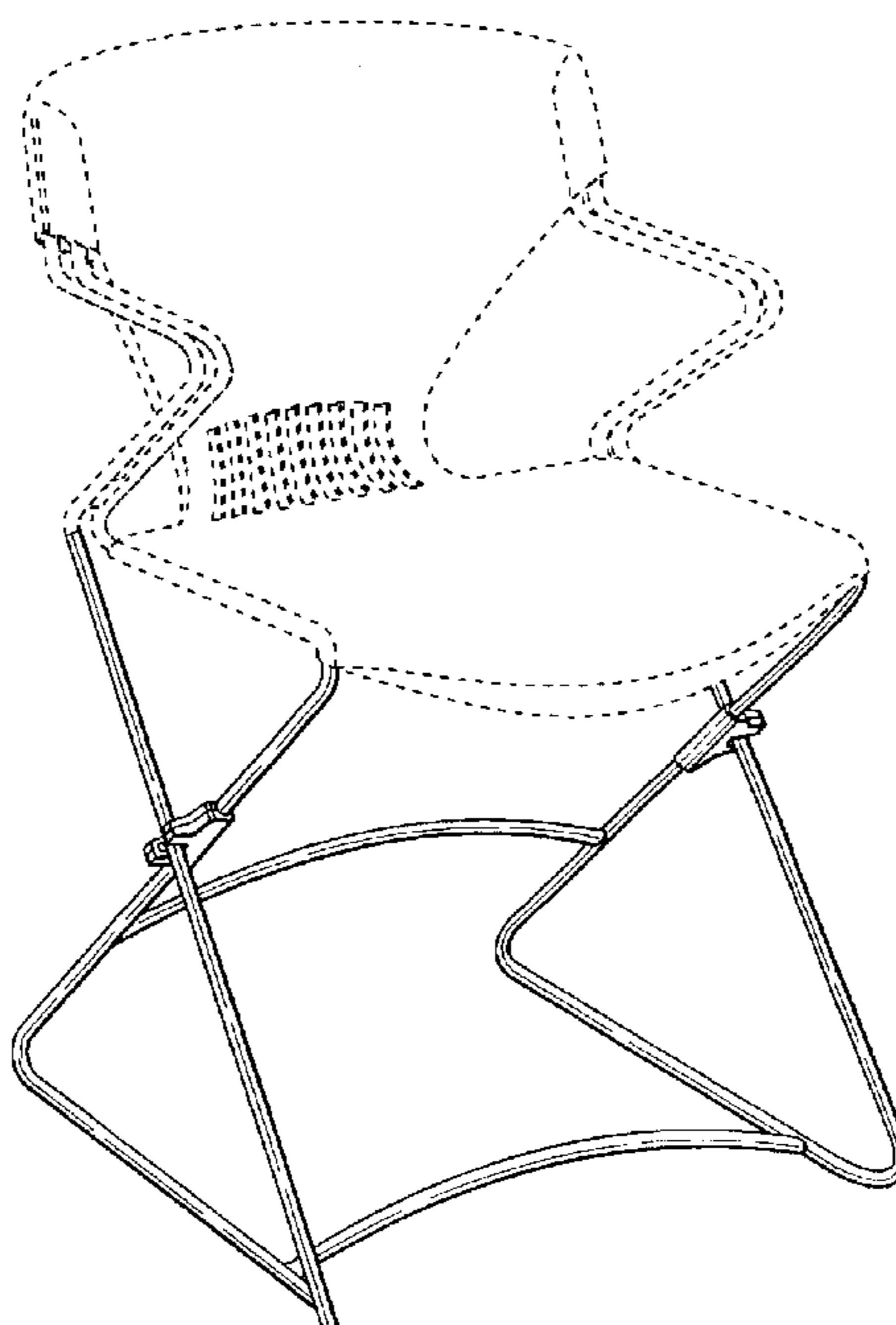


Fig. 1

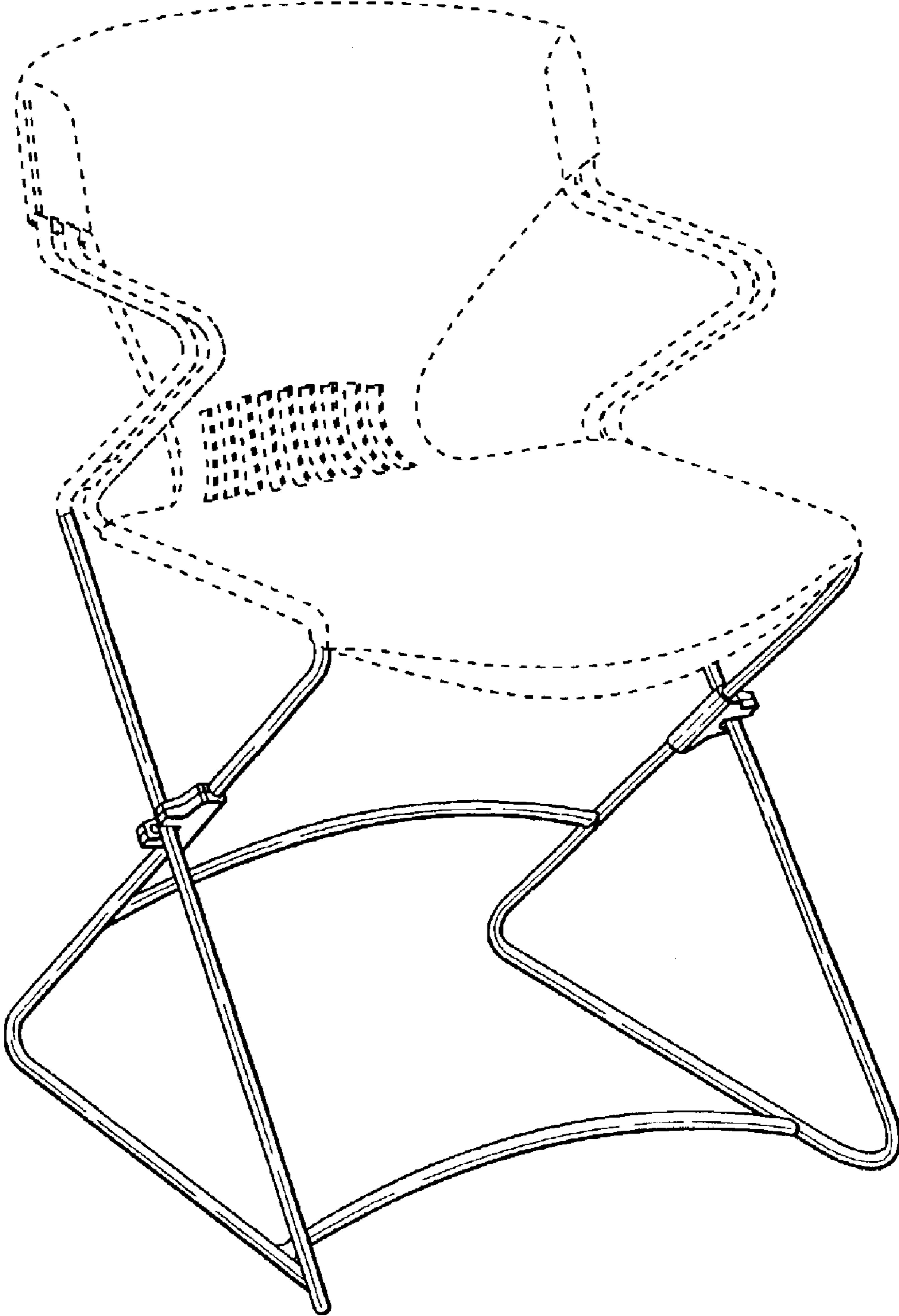


Fig. 2

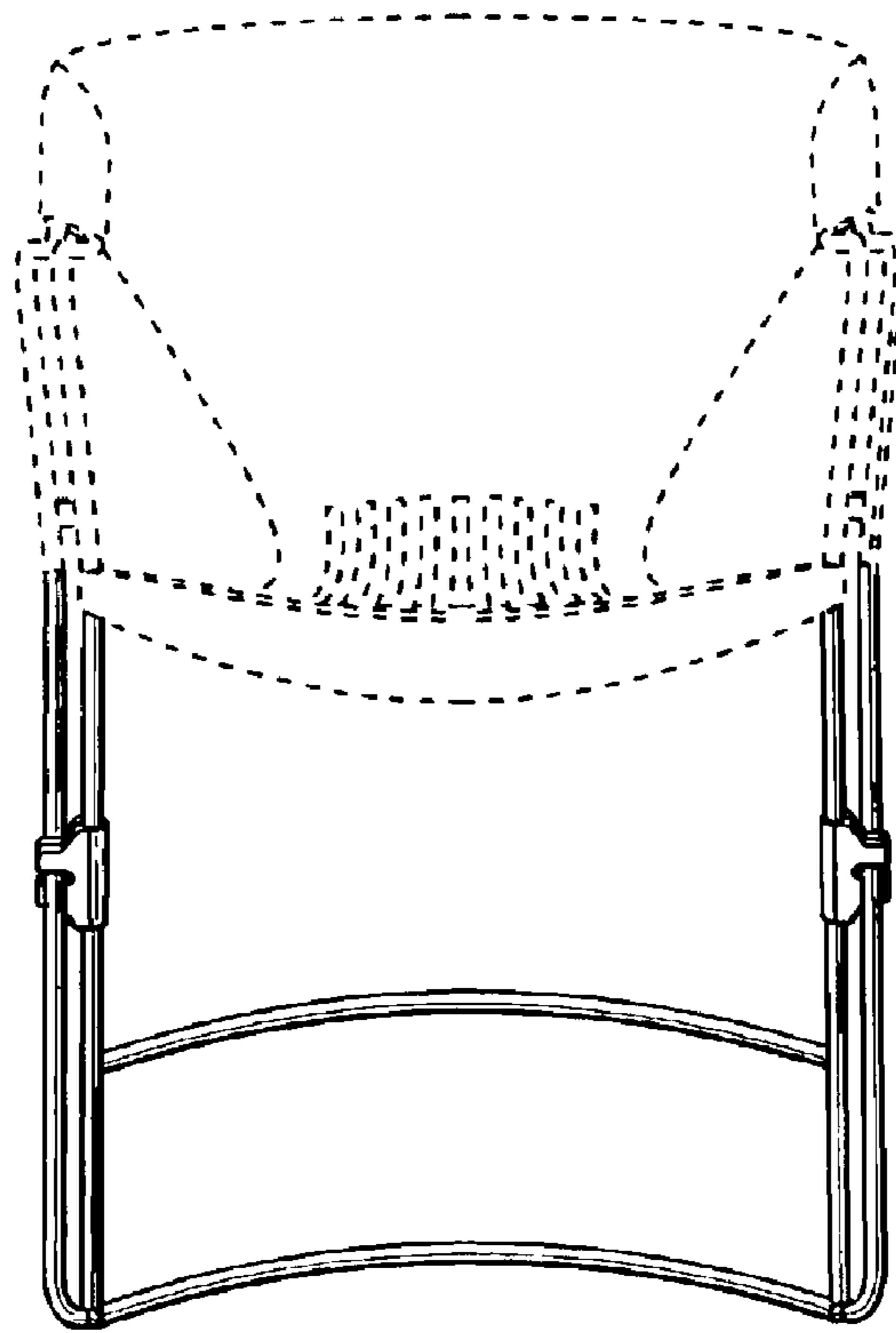


Fig. 3

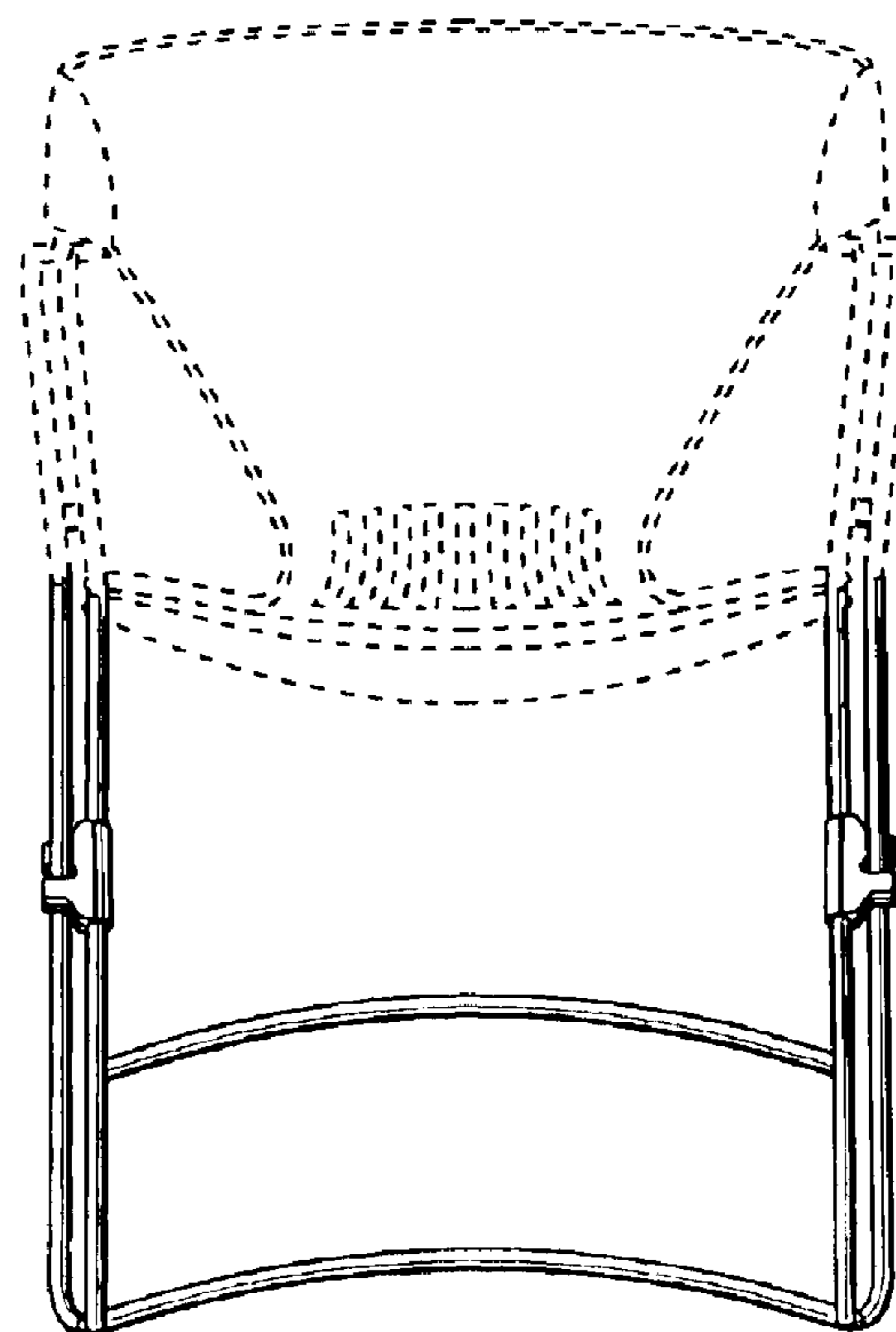


Fig. 4

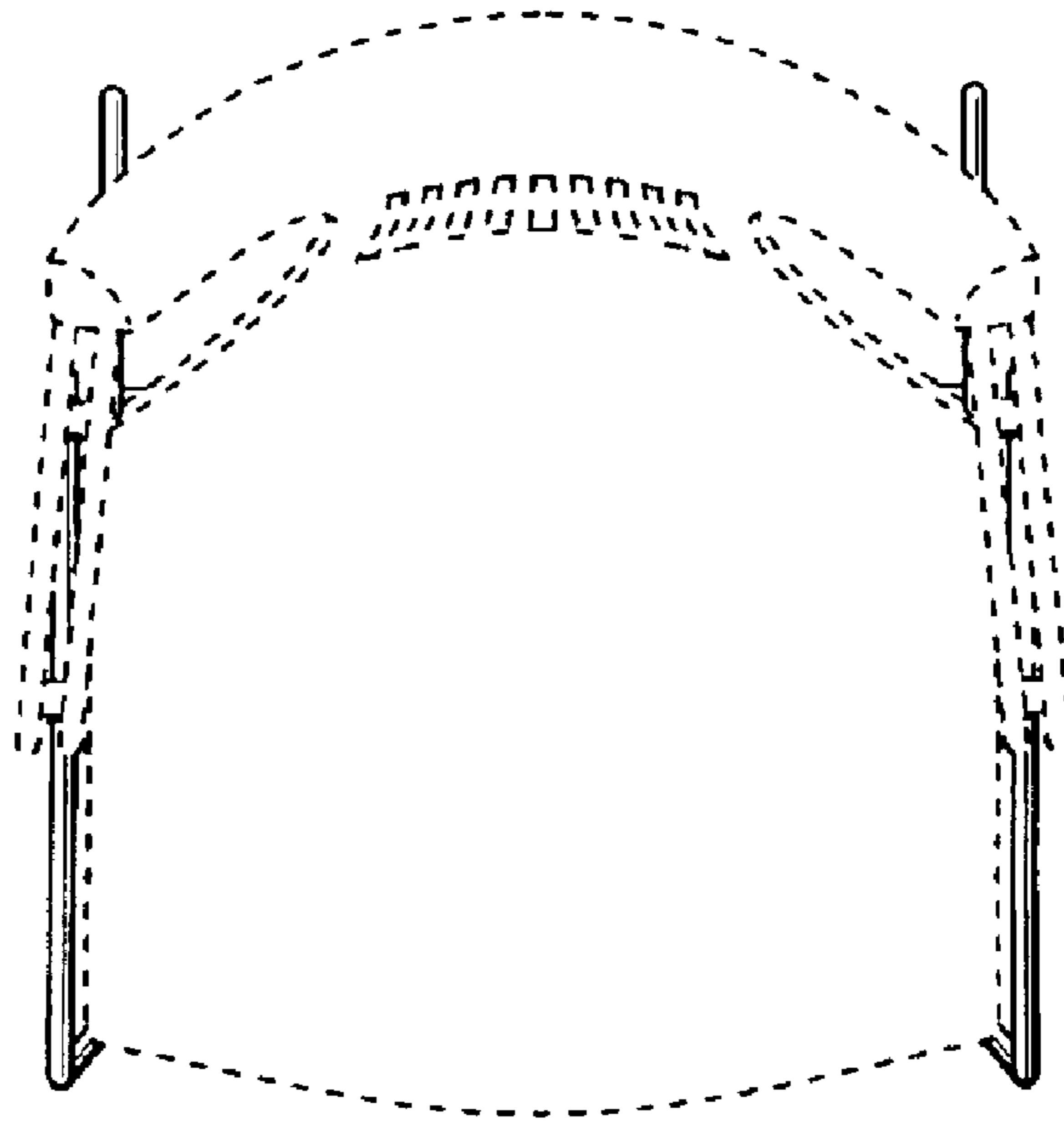


Fig. 5

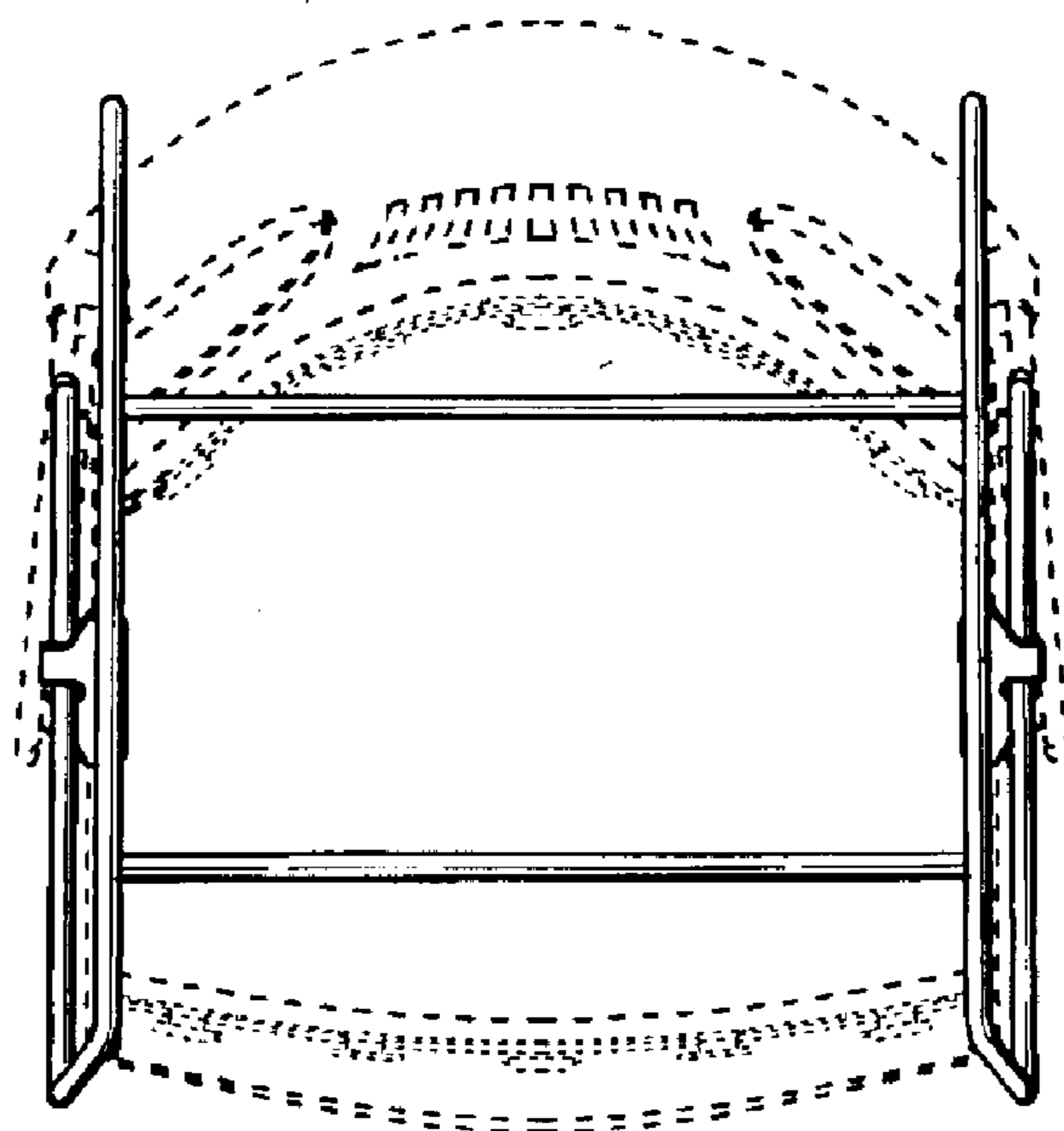


Fig. 6

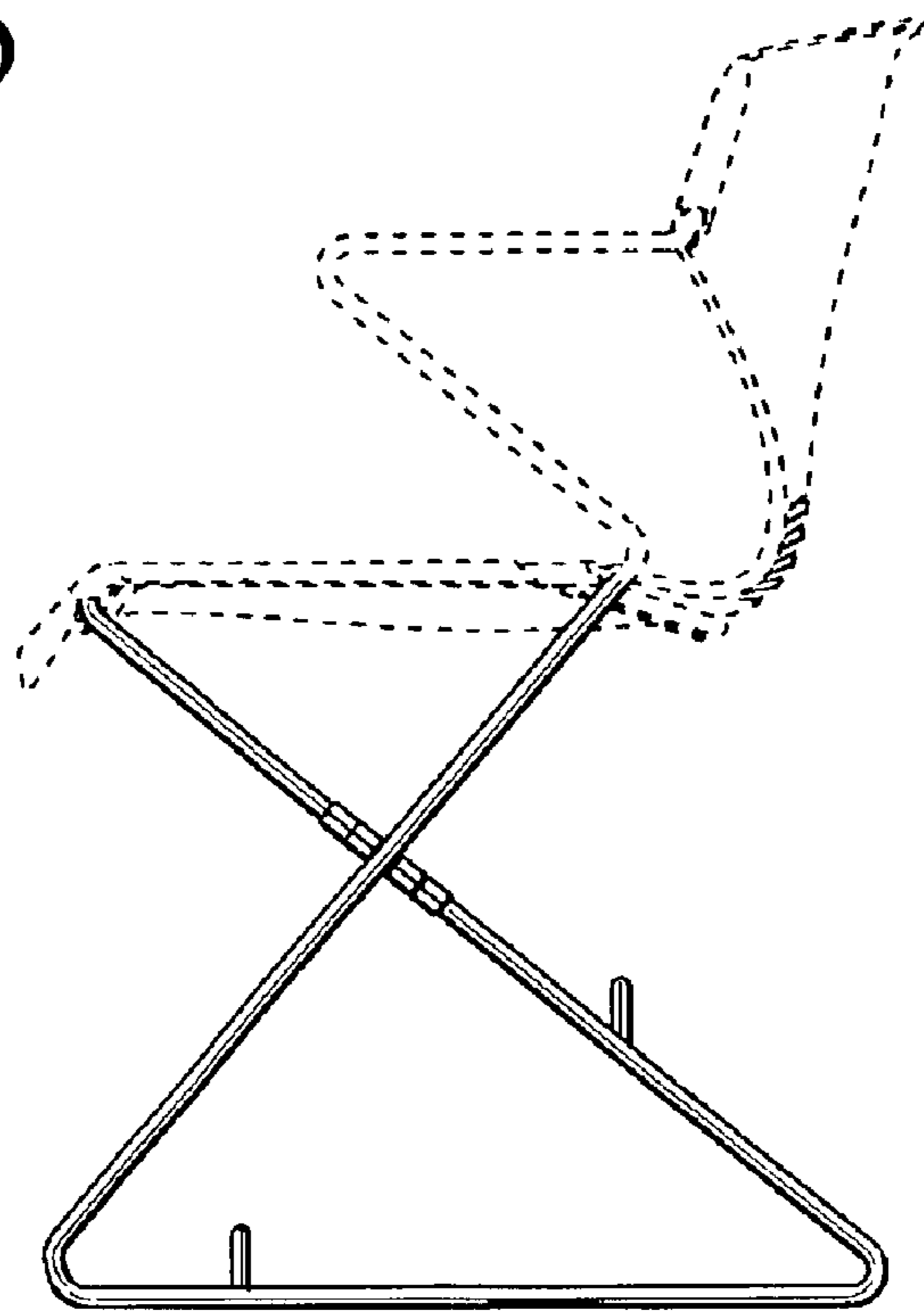


Fig. 7

