



US00D503052S

(12) **United States Design Patent**  
**Chi**

(10) **Patent No.:** **US D503,052 S**

(45) **Date of Patent:** **\*\* Mar. 22, 2005**

(54) **BASE FOR CHAIRS**

(76) **Inventor:** **Ching-Hui Chi**, PMB#1008, 1867  
Ygnacio Valley Rd., Walnut Creek, CA  
(US) 94598

(\*\*) **Term:** **14 Years**

(21) **Appl. No.:** **29/199,943**

(22) **Filed:** **Feb. 23, 2004**

(51) **LOC (7) Cl.** ..... **06-06**

(52) **U.S. Cl.** ..... **D6/498; D6/366**

(58) **Field of Search** ..... D6/334-335, 364-367,  
D6/498, 500-502; 248/188.1, 188.7, 188.8,  
188.9; 297/344.18, 411.2

(56) **References Cited**

**U.S. PATENT DOCUMENTS**

D300,696 S	*	4/1989	Garnich	.....	D6/365
D366,169 S	*	1/1996	Huang	.....	D6/498
5,501,419 A	*	3/1996	Huang	.....	248/188.7
D383,927 S	*	9/1997	Vassallo	.....	D6/498

D462,207 S \* 9/2002 Chen ..... D6/498

\* cited by examiner

*Primary Examiner*—Gary D. Watson

(74) *Attorney, Agent, or Firm*—Leong C. Lei

(57) **CLAIM**

The ornamental design for base for chairs, as shown and described.

**DESCRIPTION**

FIG. 1 is a perspective view of base for chairs showing my new design;

FIG. 2 is a front side elevation view thereof;

FIG. 3 is a rear side elevation view thereof;

FIG. 4 is a left side elevation view thereof;

FIG. 5 is a right side elevation view thereof;

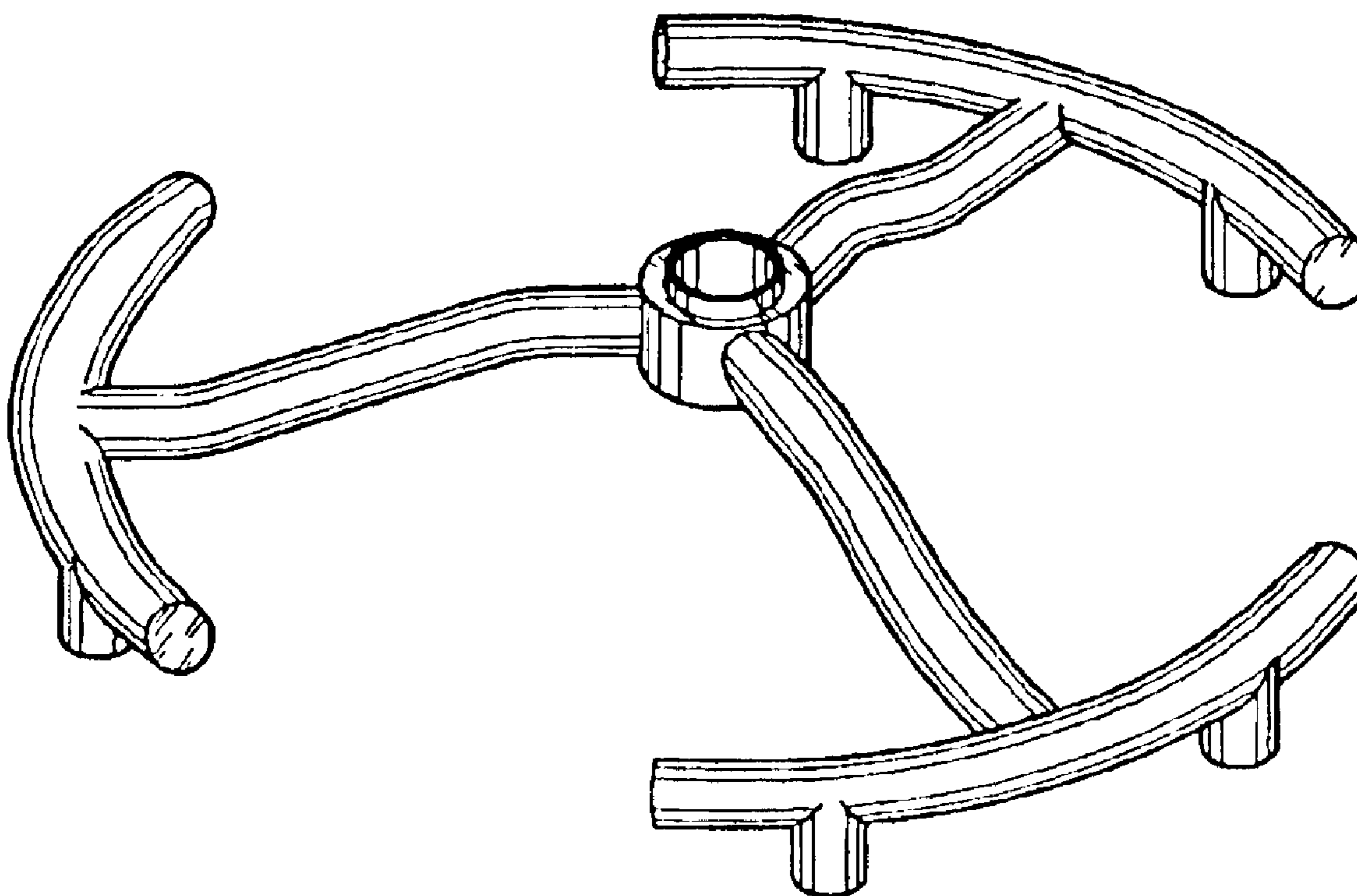
FIG. 6 is a top plan view thereof;

FIG. 7 is a bottom plan view thereof; and,

FIG. 8 is a perspective view thereof.

The broken lines showing a chair and wheels in FIG. 8 are for illustrative purposes only and form no part of the claimed design.

**1 Claim, 5 Drawing Sheets**



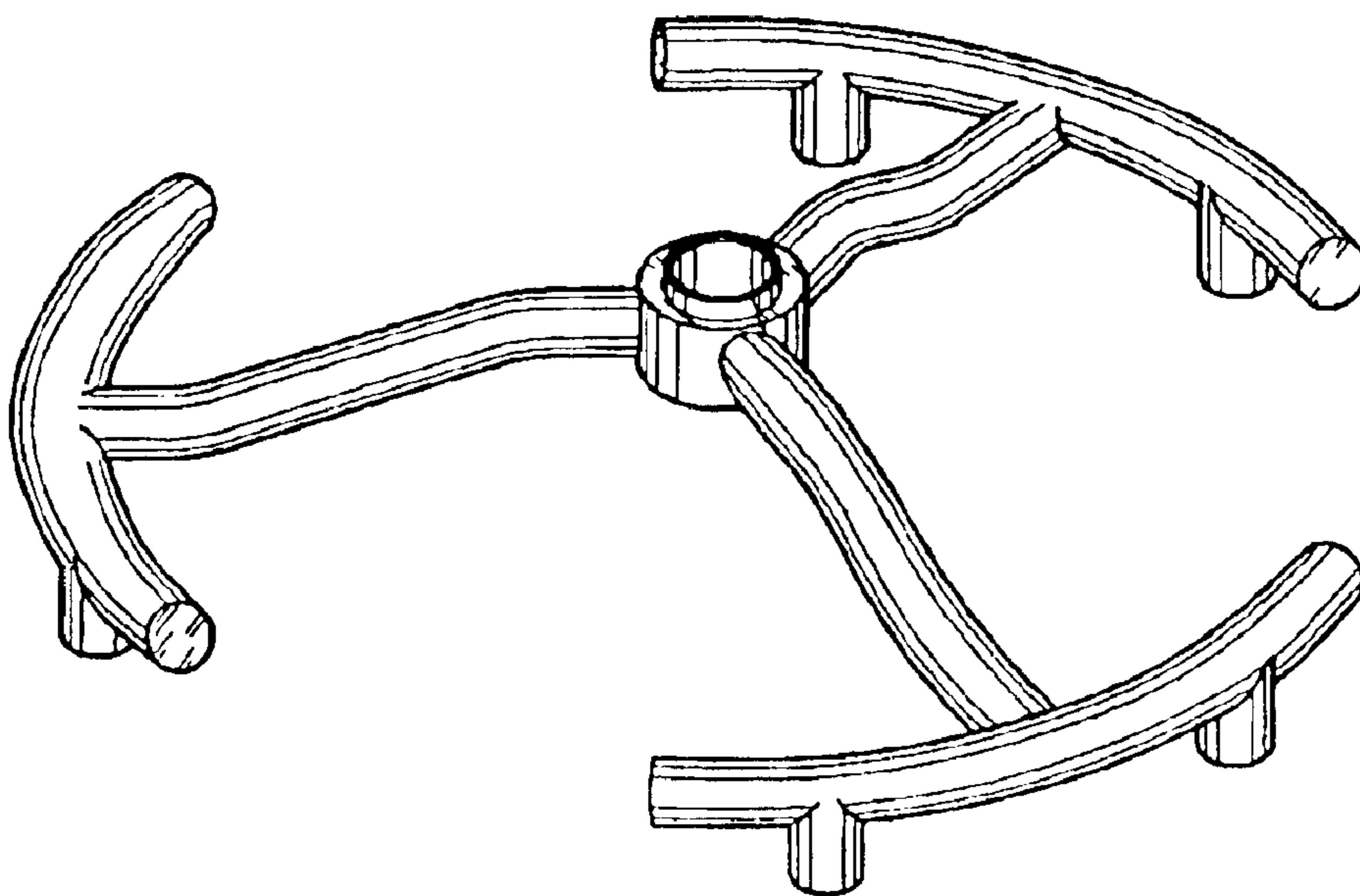


FIG. 1

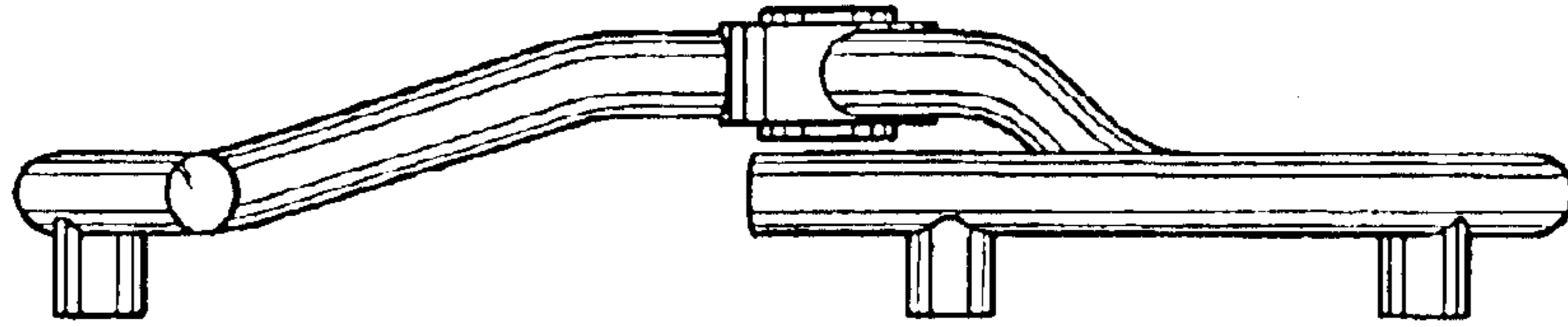


FIG. 2

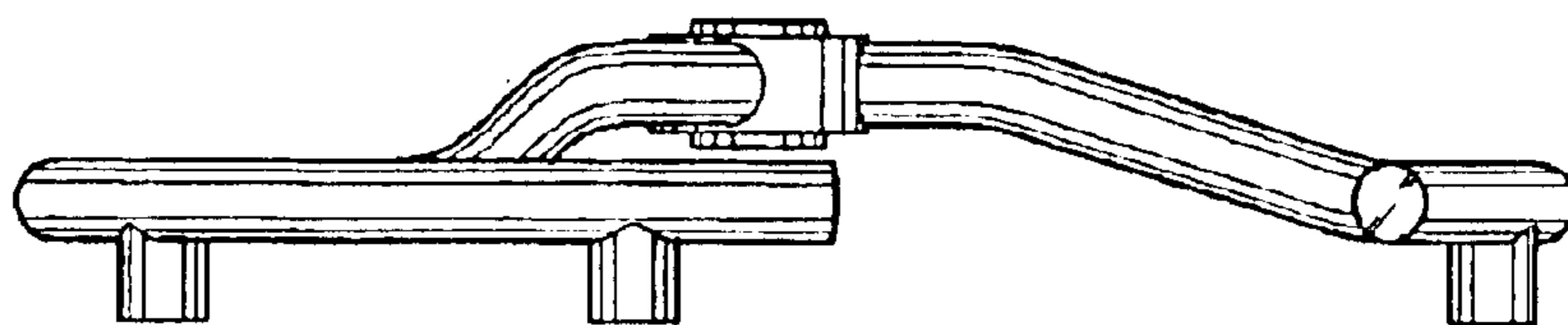


FIG. 3

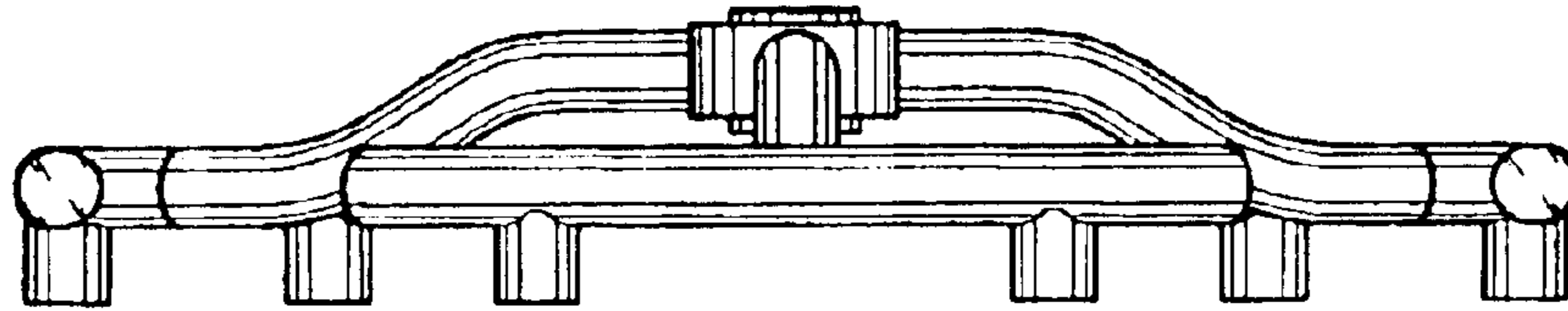


FIG. 4

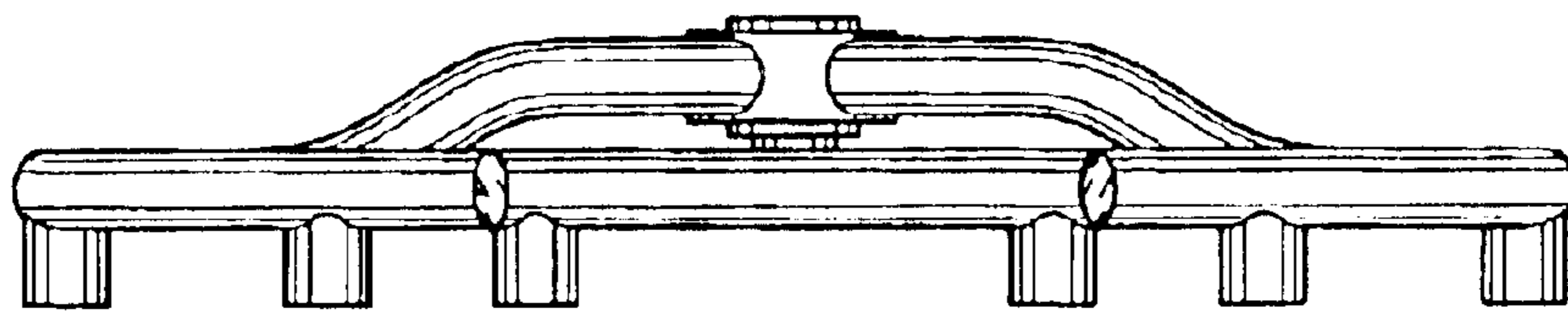


FIG. 5

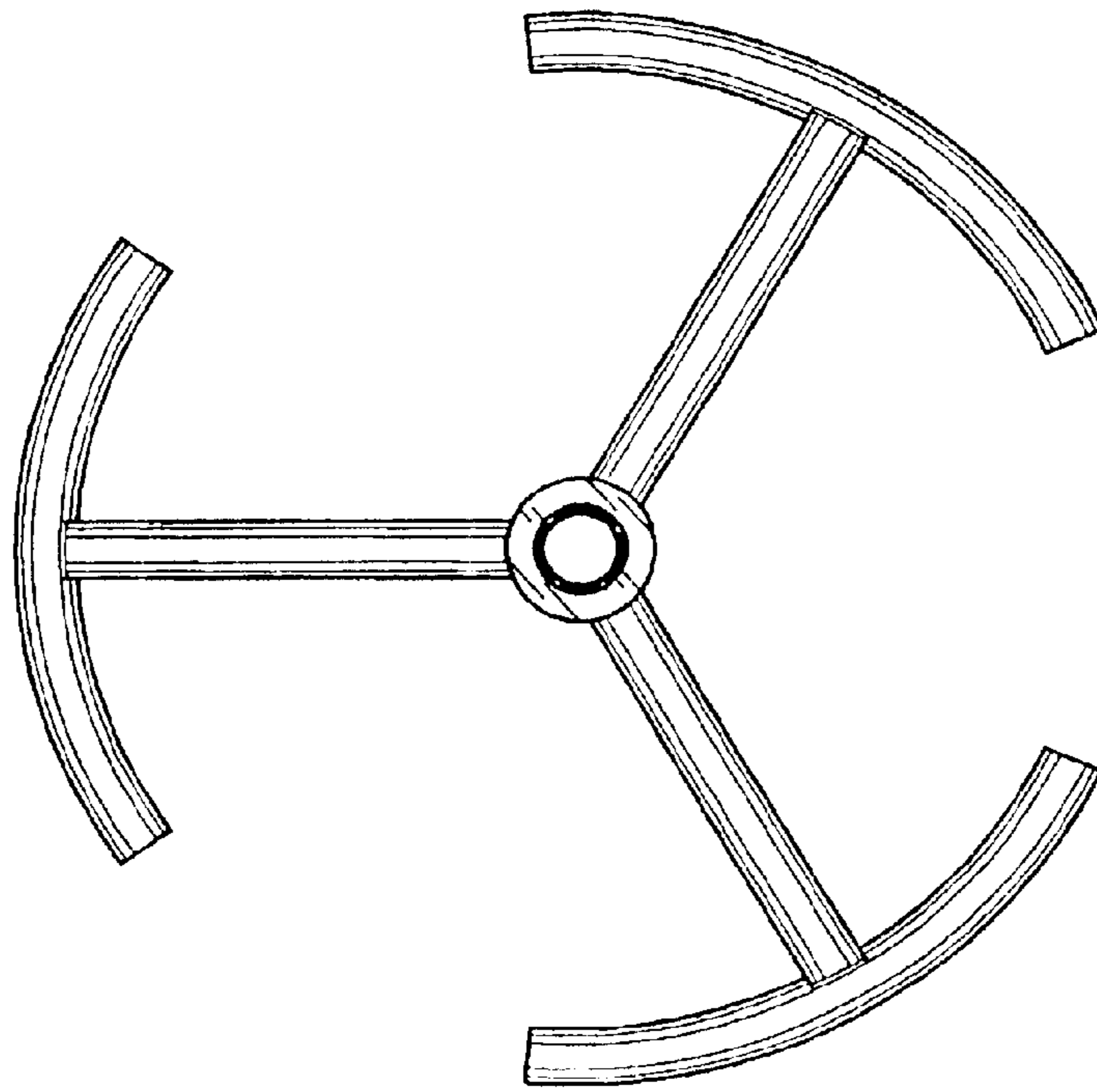


FIG. 6

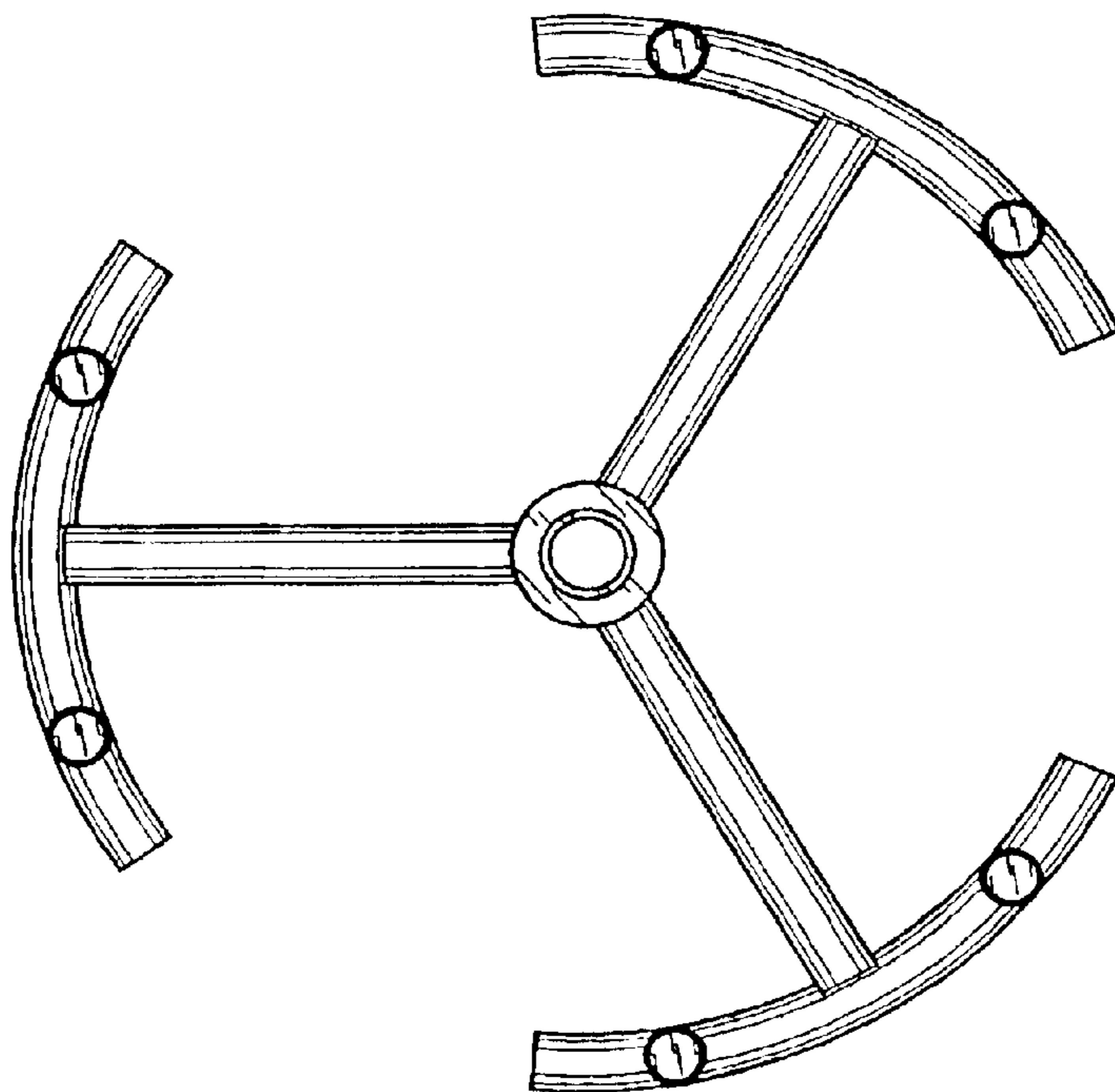


FIG. 7

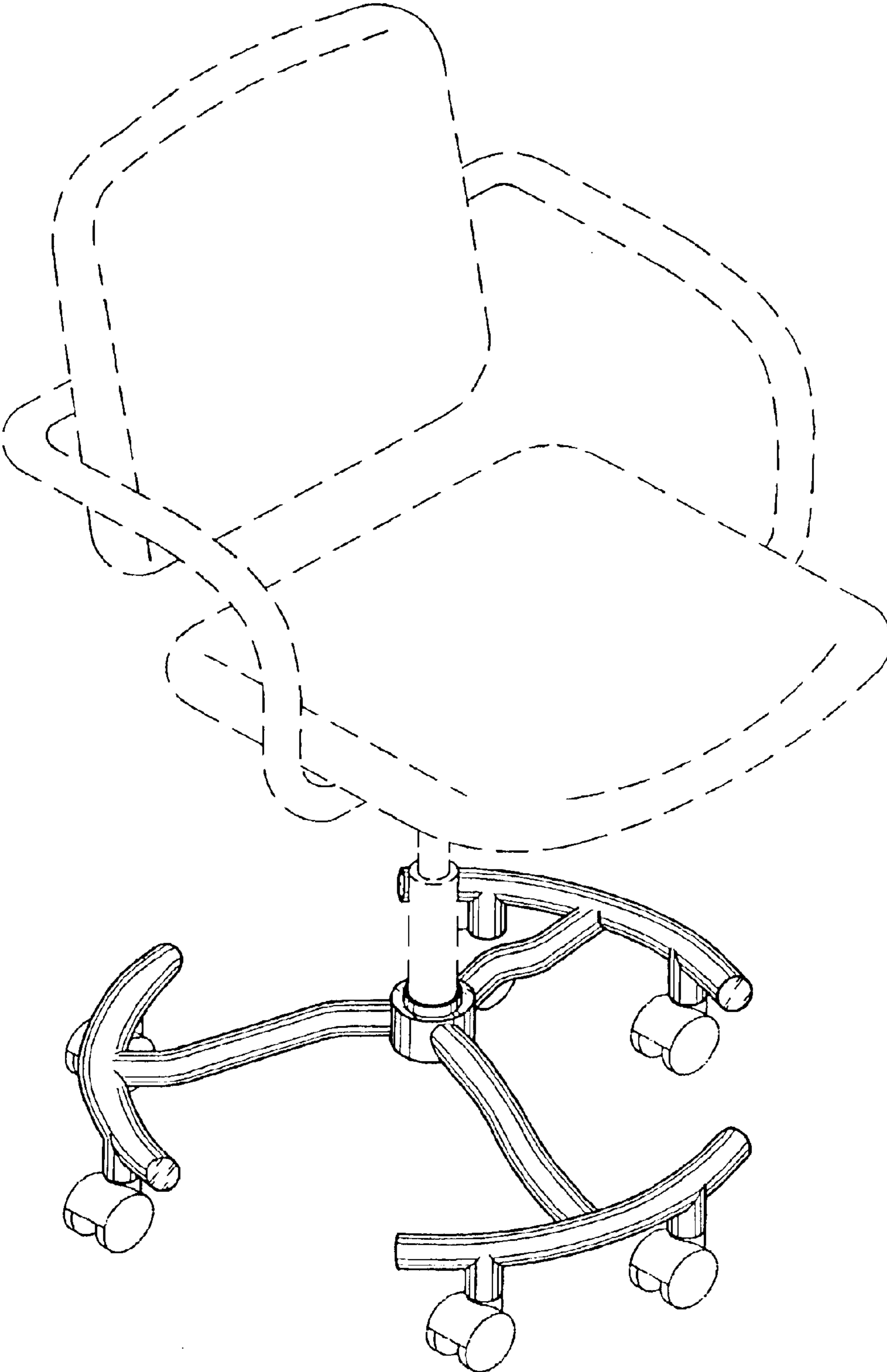


FIG. 8