



US00D503051S

(12) **United States Design Patent** (10) **Patent No.:** **US D503,051 S**  
**Plant** (45) **Date of Patent:** **\*\* Mar. 22, 2005**

- (54) **FURNITURE BASE**  
 (75) Inventor: **Russell Plant**, London (GB)  
 (73) Assignee: **Steelcase Development Corporation**,  
 Caledonia, MI (US)  
 (\*\*) Term: **14 Years**  
 (21) Appl. No.: **29/196,593**  
 (22) Filed: **Dec. 31, 2003**  
 (51) **LOC (7) Cl.** ..... **06-06**  
 (52) **U.S. Cl.** ..... **D6/498; D6/366**  
 (58) **Field of Search** ..... D6/334-335, 364-367,  
 D6/498, 500-502; 248/188.1, 188.7, 188.8,  
 188.9; 297/344.18, 411.2

(56) **References Cited**

**U.S. PATENT DOCUMENTS**

4,406,437	A	*	9/1983	Wright	.....	248/188.7	X
5,154,127	A		10/1992	Booth			
D394,646	S	*	5/1998	Ratzlaff	.....	D6/498	X
D412,416	S		8/1999	Ritch et al.			
6,336,414	B1		1/2002	Stewart et al.			
D462,547	S	*	9/2002	Chen	.....	D6/498	
D464,819	S	*	10/2002	Chu	.....	D6/366	
D490,621	S	*	6/2004	Newhouse	.....	D6/366	

\* cited by examiner

*Primary Examiner*—Gary D. Watson  
(74) *Attorney, Agent, or Firm*—Price, Heneveld, Cooper,  
DeWitt & Litton

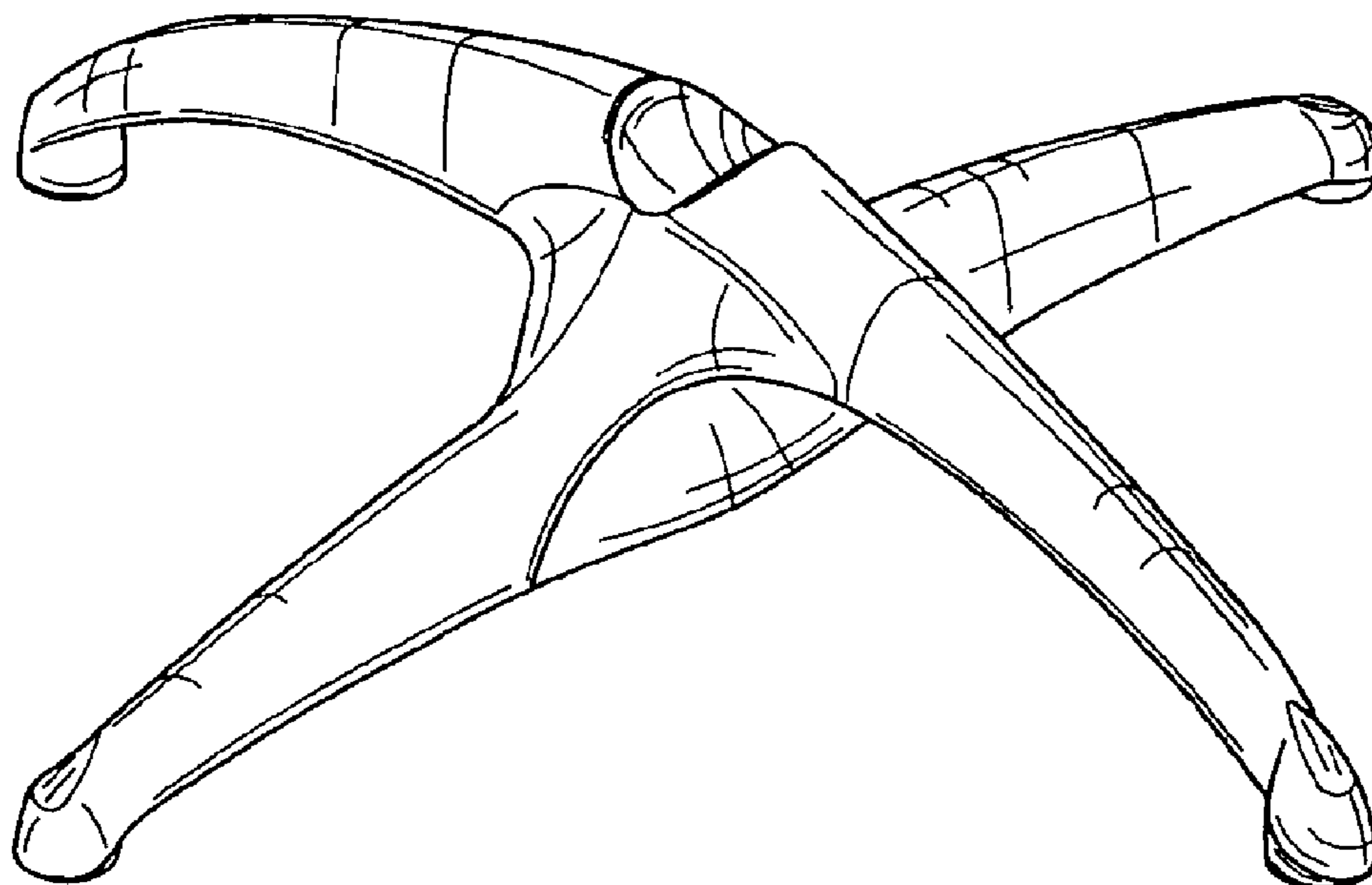
(57) **CLAIM**

I claim the ornamental design for a furniture base, as shown and described.

**DESCRIPTION**

FIG. 1 is a front perspective view of a furniture base showing my new design;  
 FIG. 2 is a front elevational view of the base of FIG. 1, the rear view being the same;  
 FIG. 3 is a side elevational view of the base of FIG. 1, the opposing side elevational view being the same;  
 FIG. 4 is a top plan view of the base.  
 FIG. 5 is a front perspective view of another furniture base showing my new design;  
 FIG. 6 is a front elevational view of the base of FIG. 5, the rear view being the same;  
 FIG. 7 is a side elevational view of the base of FIG. 5, the opposing side elevational view being the same; and,  
 FIG. 8 is a top plan view of the base.  
 The broken lines in the figures are for illustrative purposes only and form no part of the claimed design.

**1 Claim, 3 Drawing Sheets**



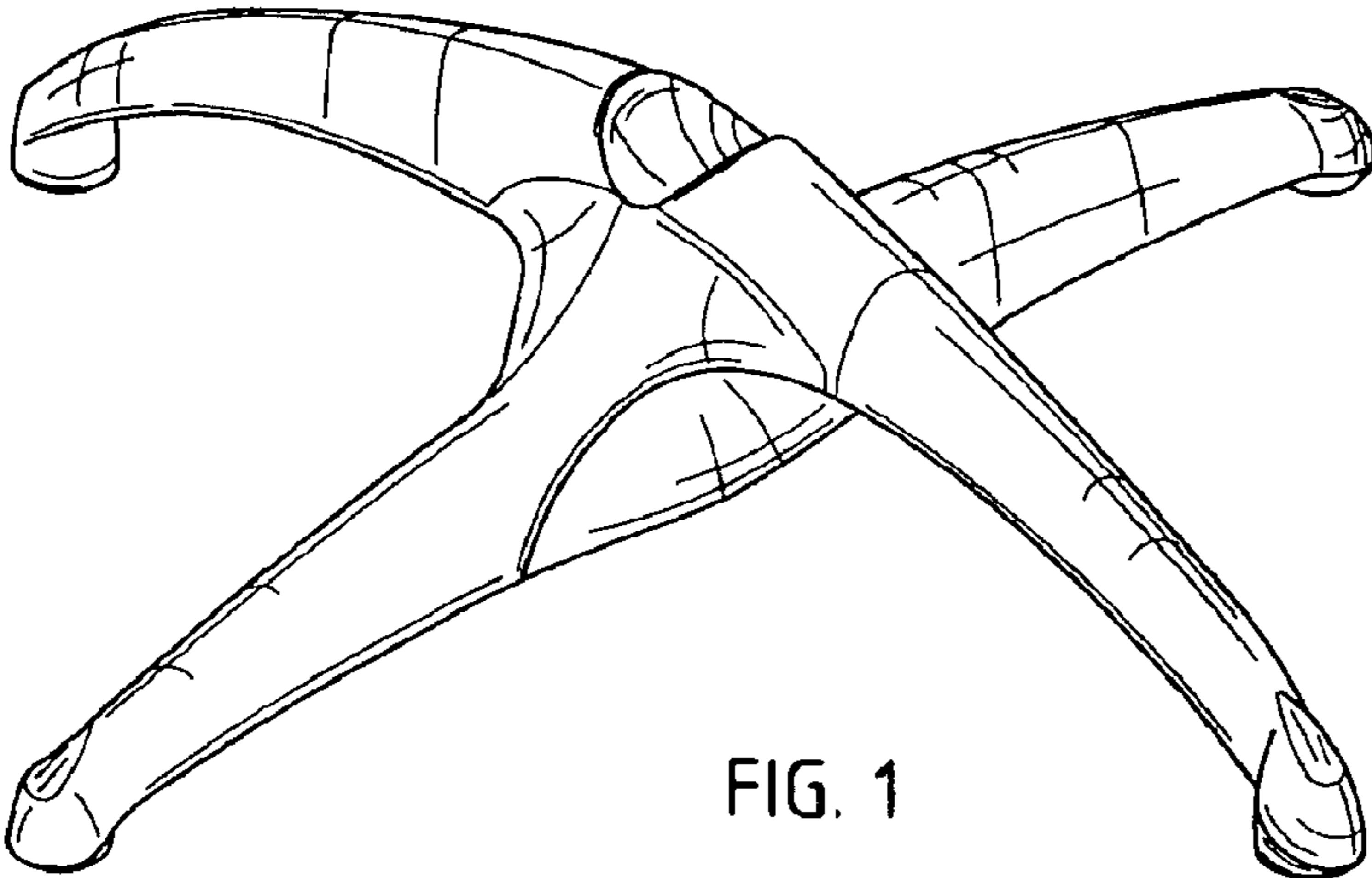


FIG. 1

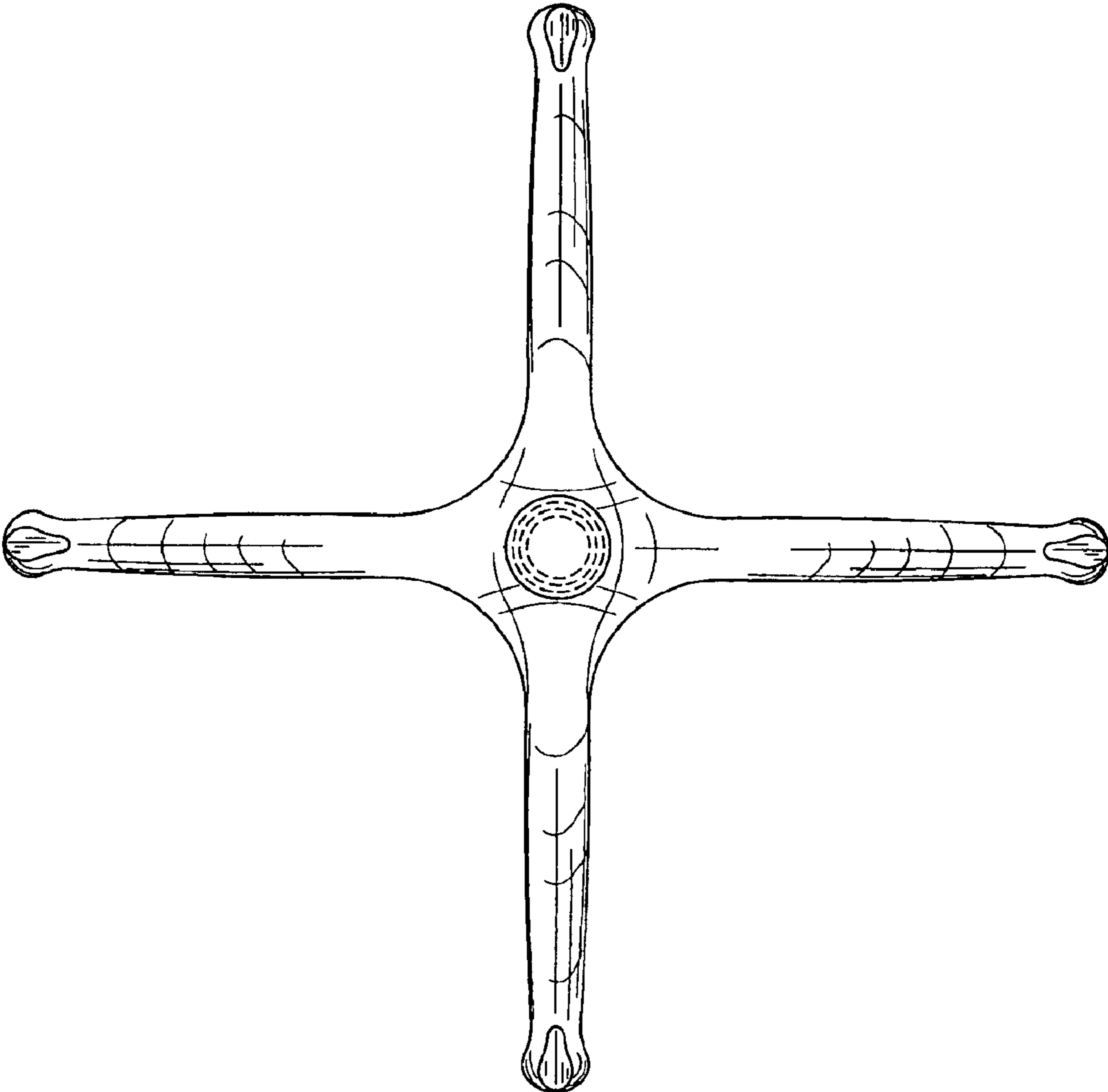


FIG. 2

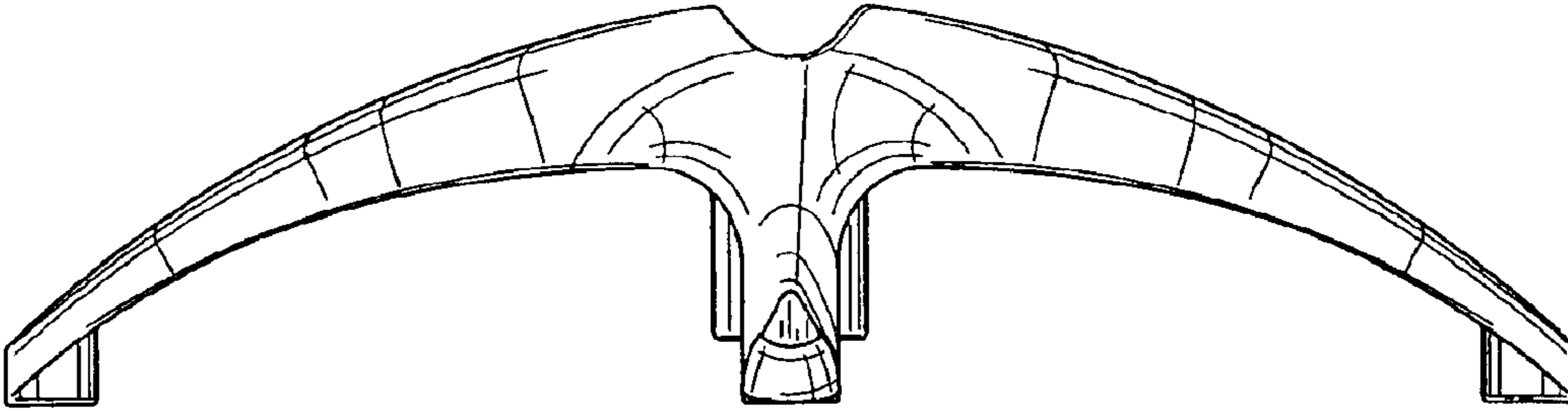


FIG. 3

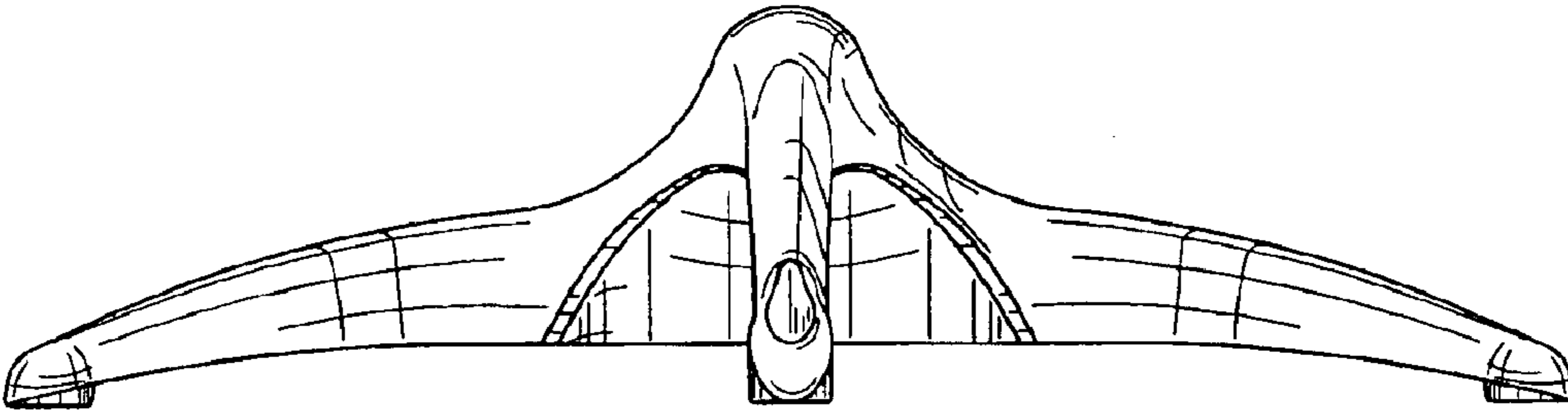


FIG. 4

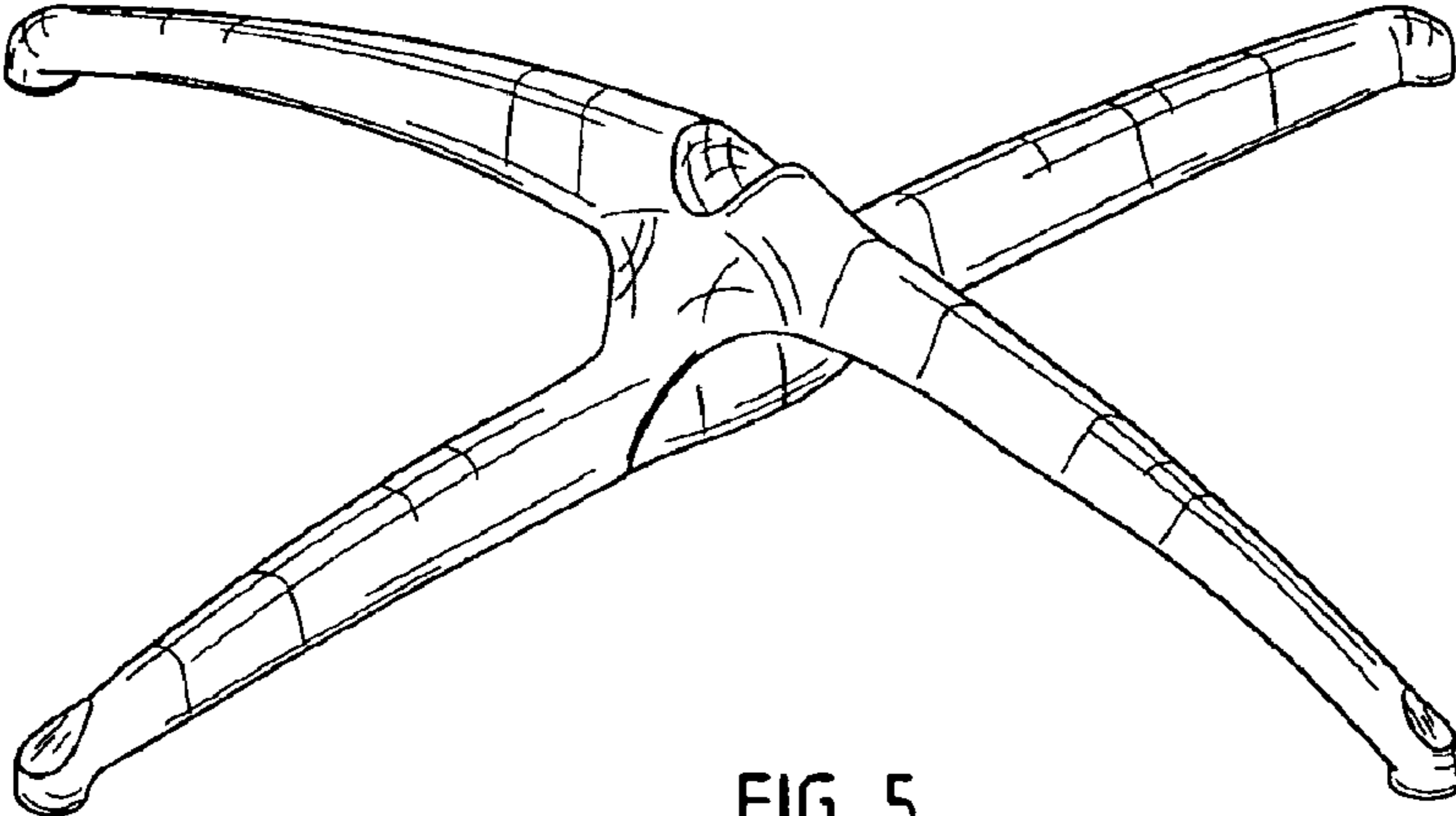


FIG. 5

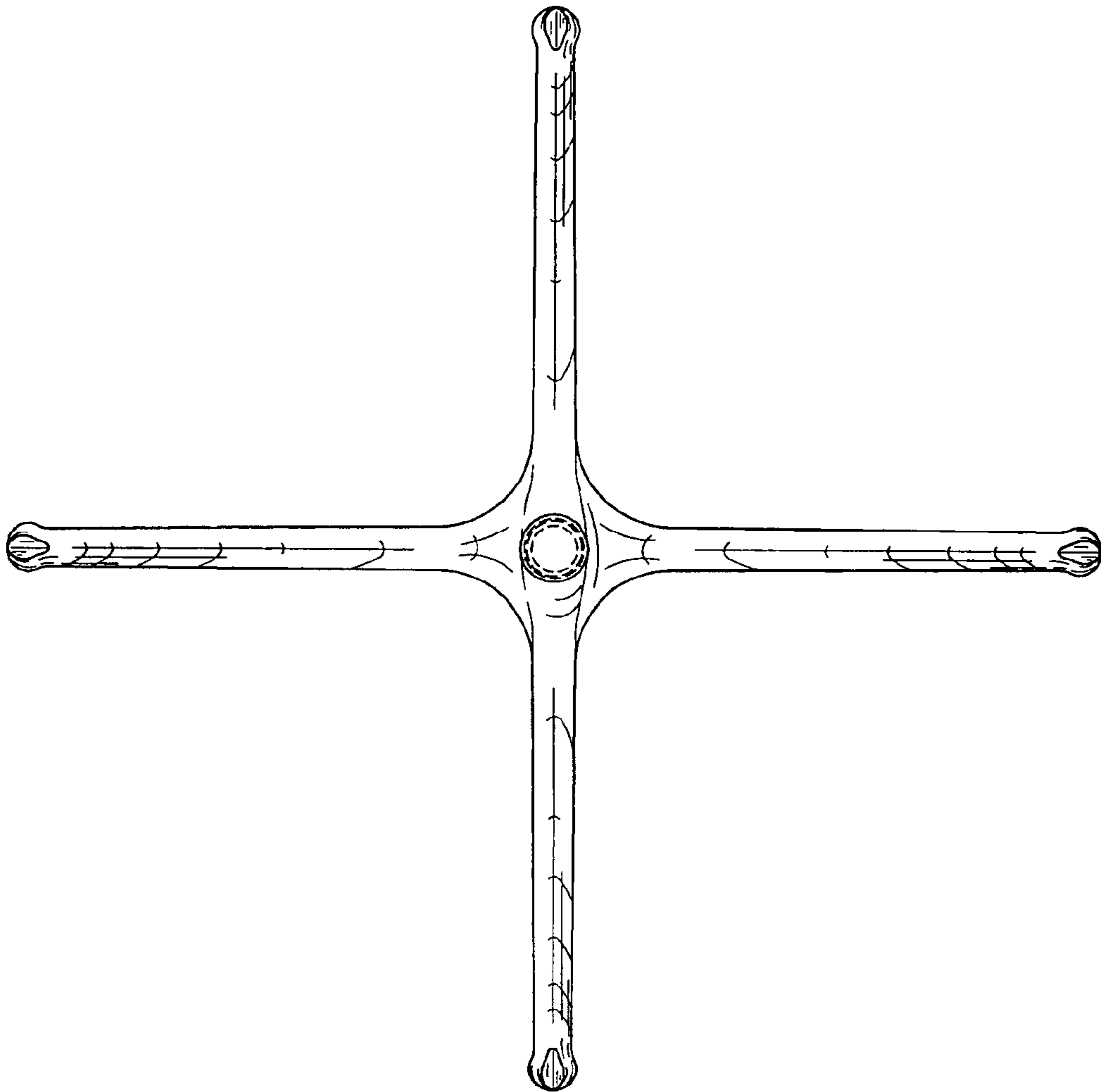


FIG. 6

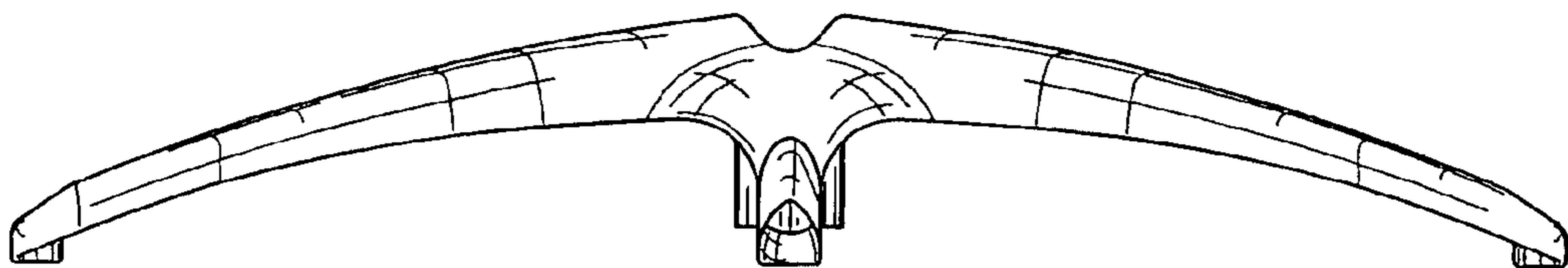


FIG. 7

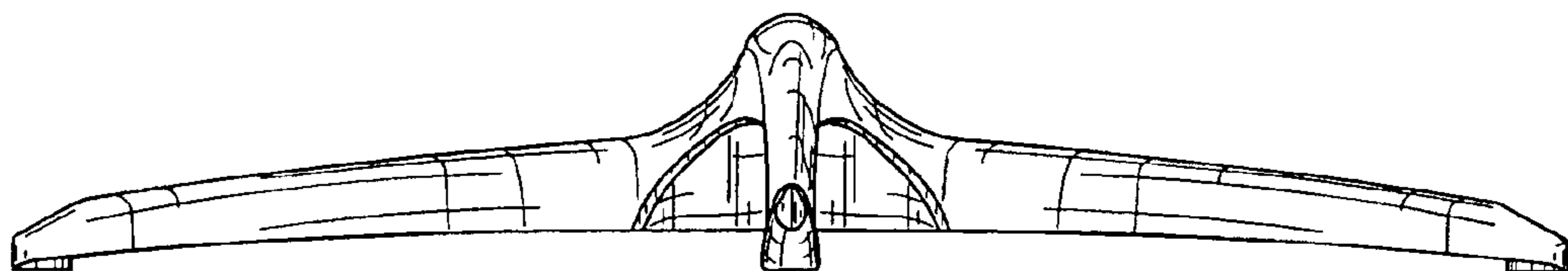


FIG. 8