



US00D503048S

(12) **United States Design Patent**
Inada et al.

(10) **Patent No.:** **US D503,048 S**
(45) **Date of Patent:** **** Mar. 22, 2005**

(54) **MESSAGE CHAIR**

D476,492 S * 7/2003 Yamamoto et al. D6/335
D491,375 S * 6/2004 Yuyama D6/335

(75) Inventors: **Nichimu Inada**, Osaka (JP); **Noritsugu Kawamura**, Hirakata (JP)

* cited by examiner

(73) Assignee: **Family Company, Ltd.**, Osaka (JP)

Primary Examiner—Mimosa De
(74) *Attorney, Agent, or Firm*—Kolisch Hartwell, P.C.

(**) Term: **14 Years**

(57) **CLAIM**

(21) Appl. No.: **29/201,748**

The ornamental design for a massage chair, as shown and described.

(22) Filed: **Mar. 18, 2004**

DESCRIPTION

(30) **Foreign Application Priority Data**

Sep. 19, 2003 (JP) 2003-027501

FIG. 1 is a front view of a massage chair of the present invention.

(51) **LOC (7) Cl.** **06-01**

FIG. 2 is a rear view of the massage chair of FIG. 1.

(52) **U.S. Cl.** **D6/367**

FIG. 3 is a top view of the massage chair of FIG. 1.

(58) **Field of Search** D6/334–336, 360,
D6/361, 367, 371, 373, 500–502; 297/85,
271.2, 271.3, 281, 423.19, 423.2; 601/97–99,
102, 115, 116, 148, 149

FIG. 4 is a bottom view of the massage chair of FIG. 1.

FIG. 5 is a left side view of the massage chair of FIG. 1.

FIG. 6 is a right side view of the massage chair of FIG. 1.

FIG. 7 is a perspective view of the massage chair of FIG. 1,

from an upper left side perspective, showing side portions of a footrest of the massage chair in a retracted configuration; and,

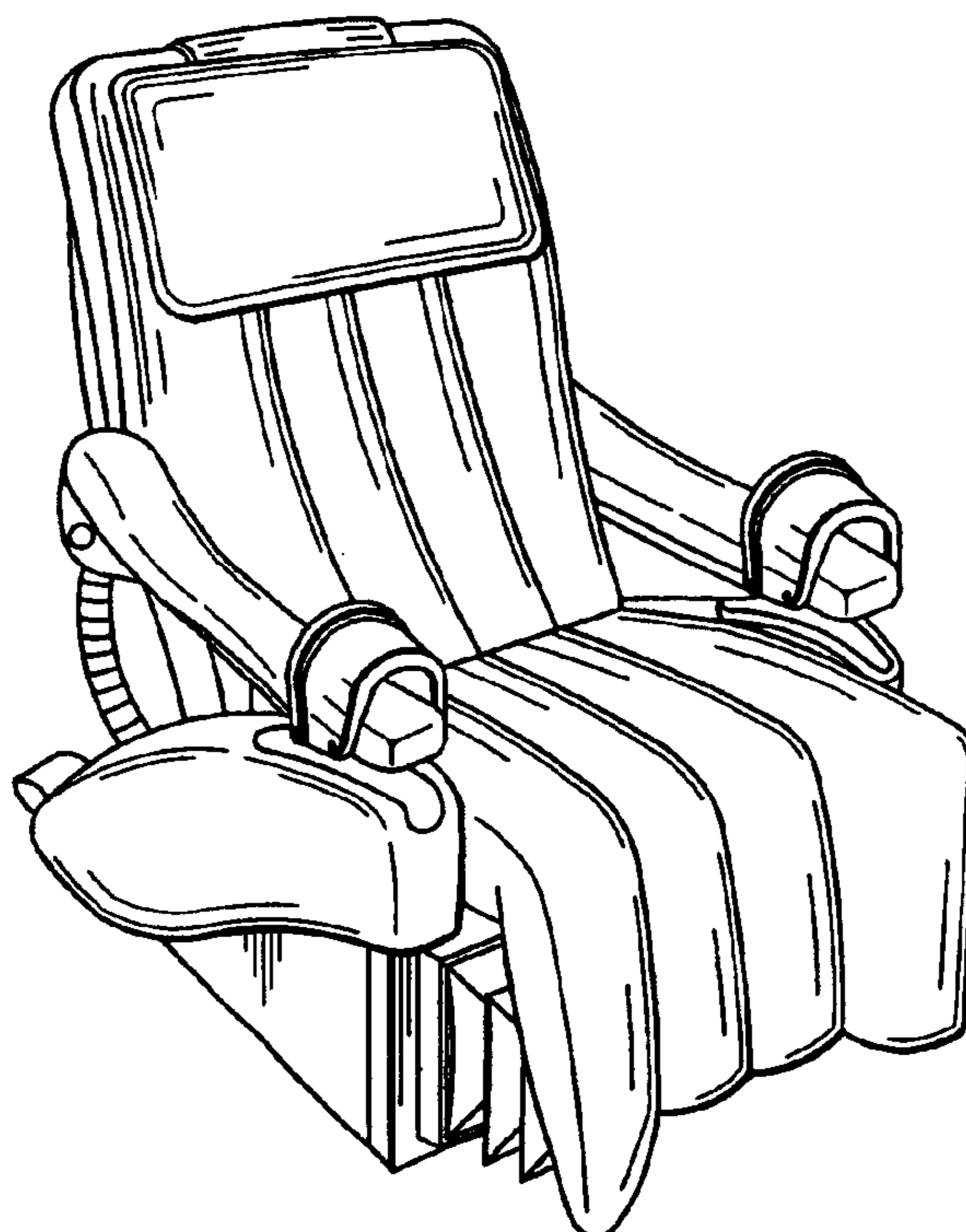
FIG. 8 is a perspective view of the massage chair of FIG. 1, from an upper left side perspective, showing side portions of a footrest of the massage chair in an extended configuration.

(56) **References Cited**

U.S. PATENT DOCUMENTS

D402,479 S 12/1998 Inada
D430,974 S * 9/2000 Yang D6/367
D471,372 S 3/2003 Inada et al.

1 Claim, 4 Drawing Sheets



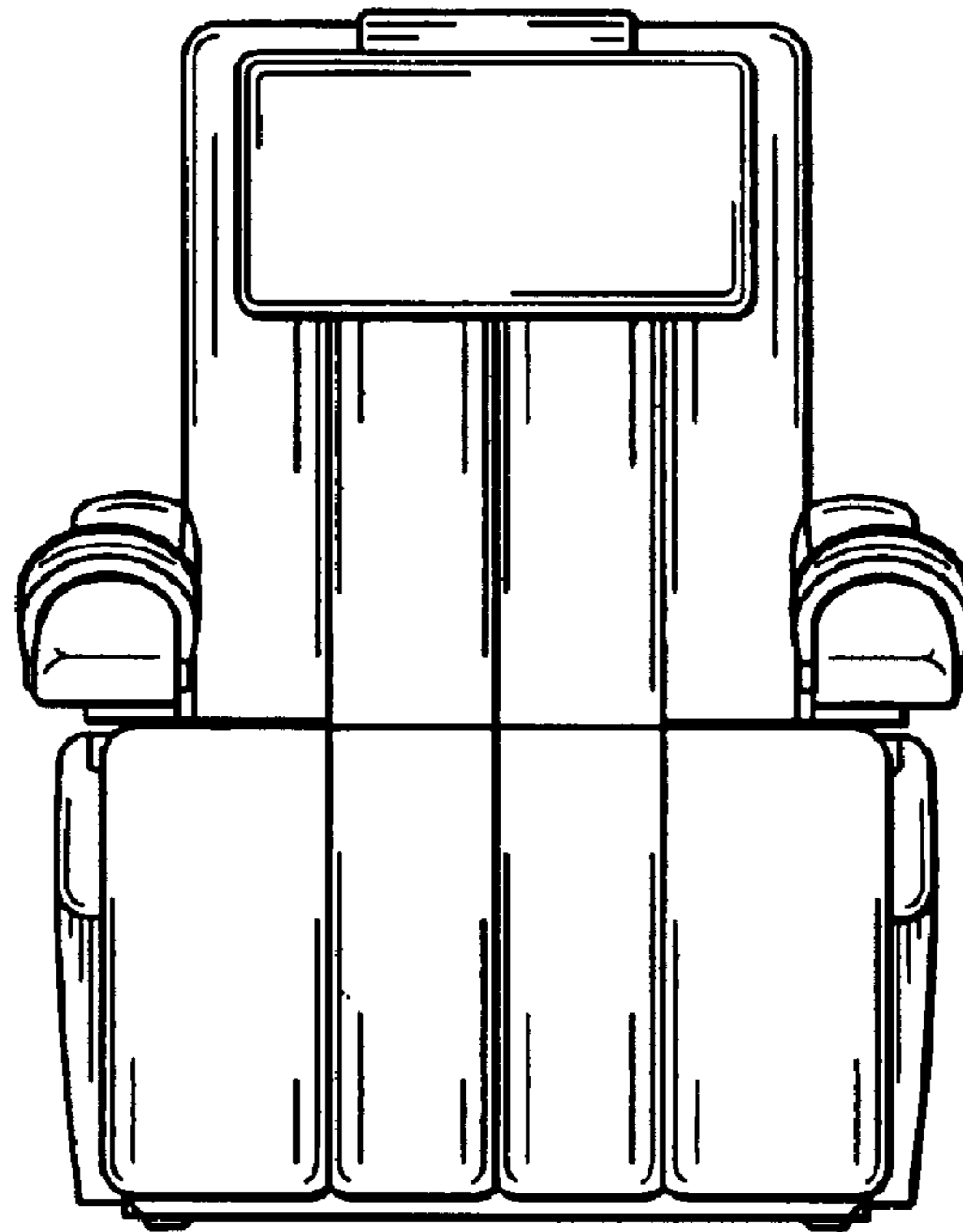


FIG. 1

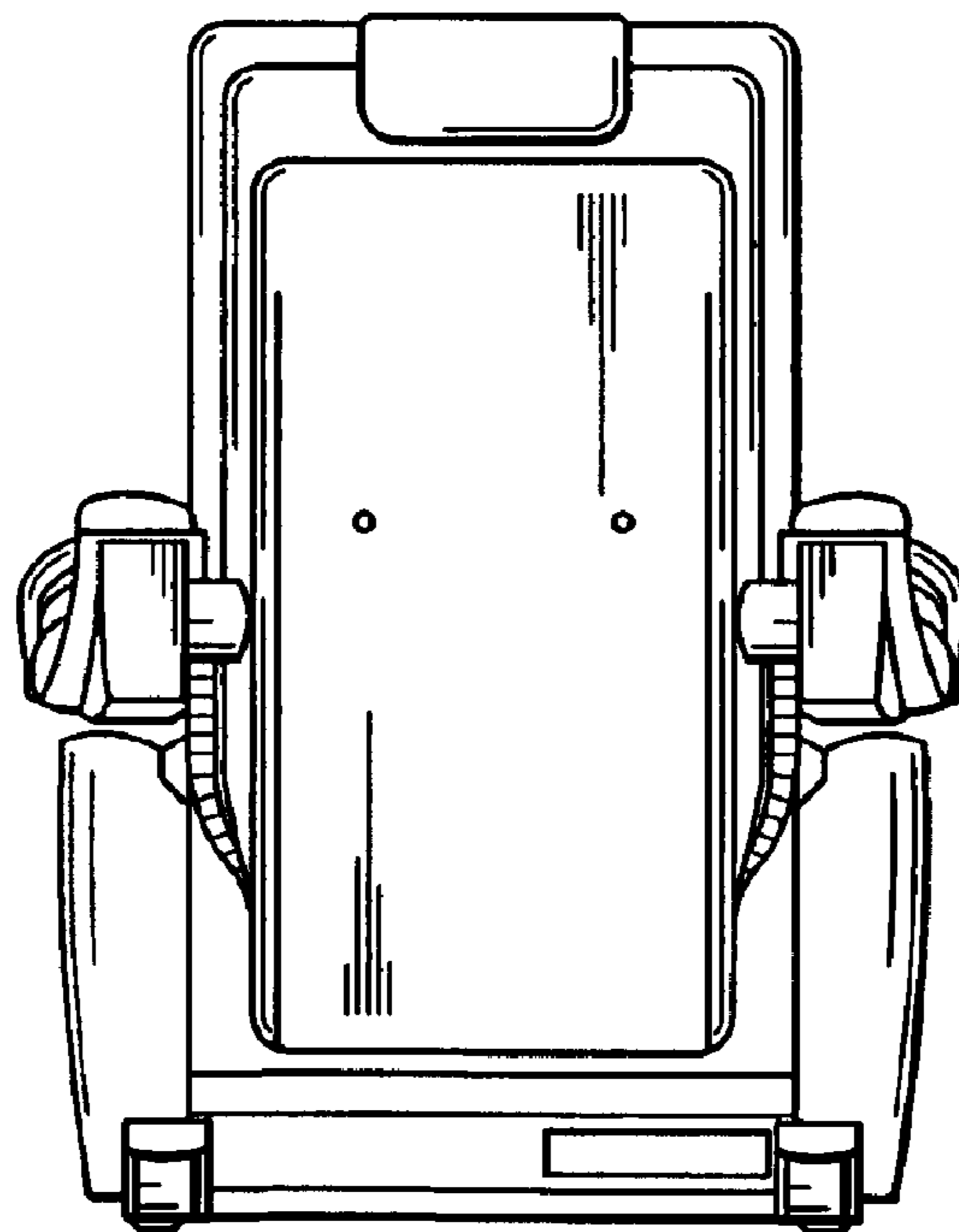


FIG. 2

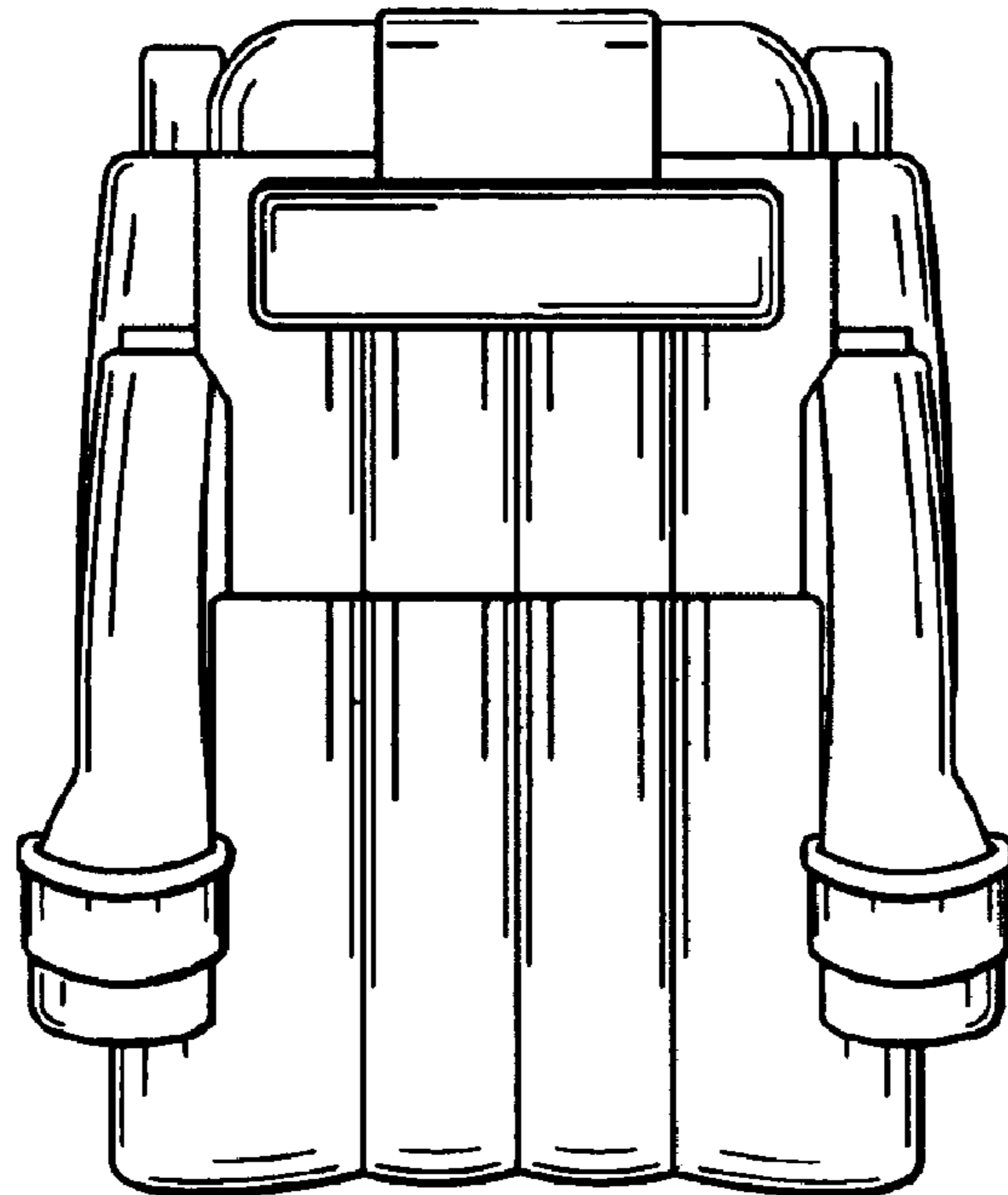


FIG. 3

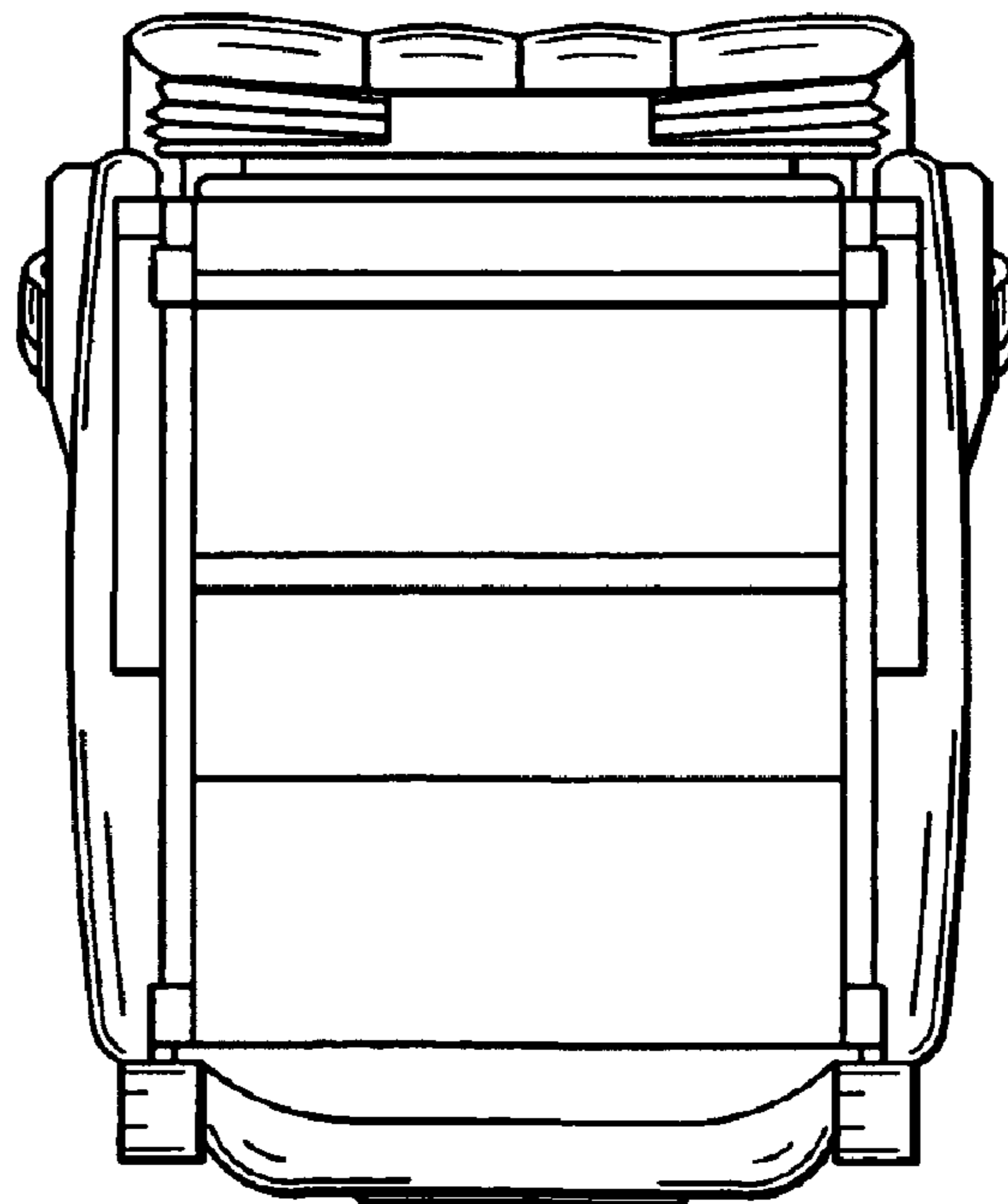


FIG. 4

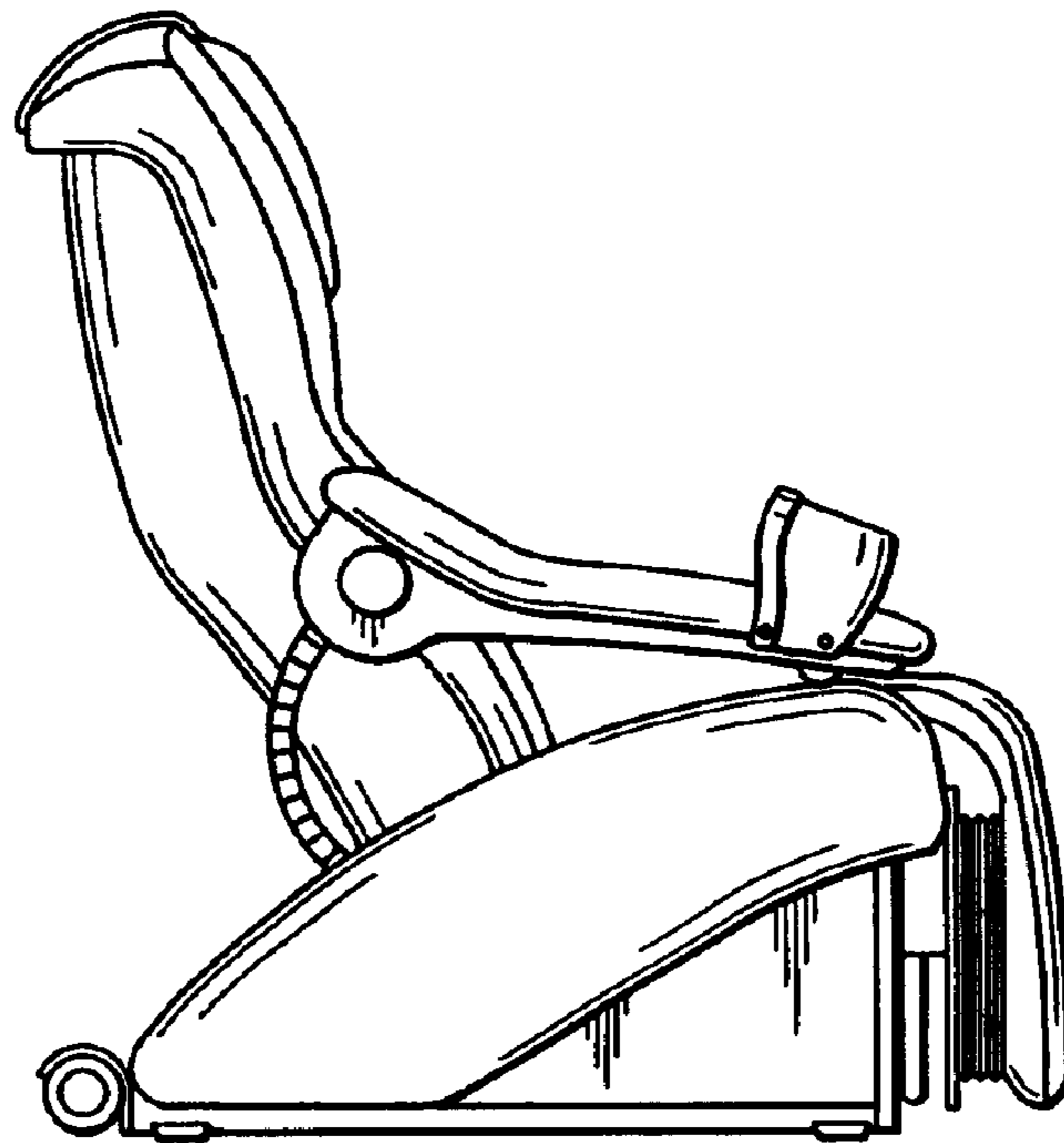


FIG. 5

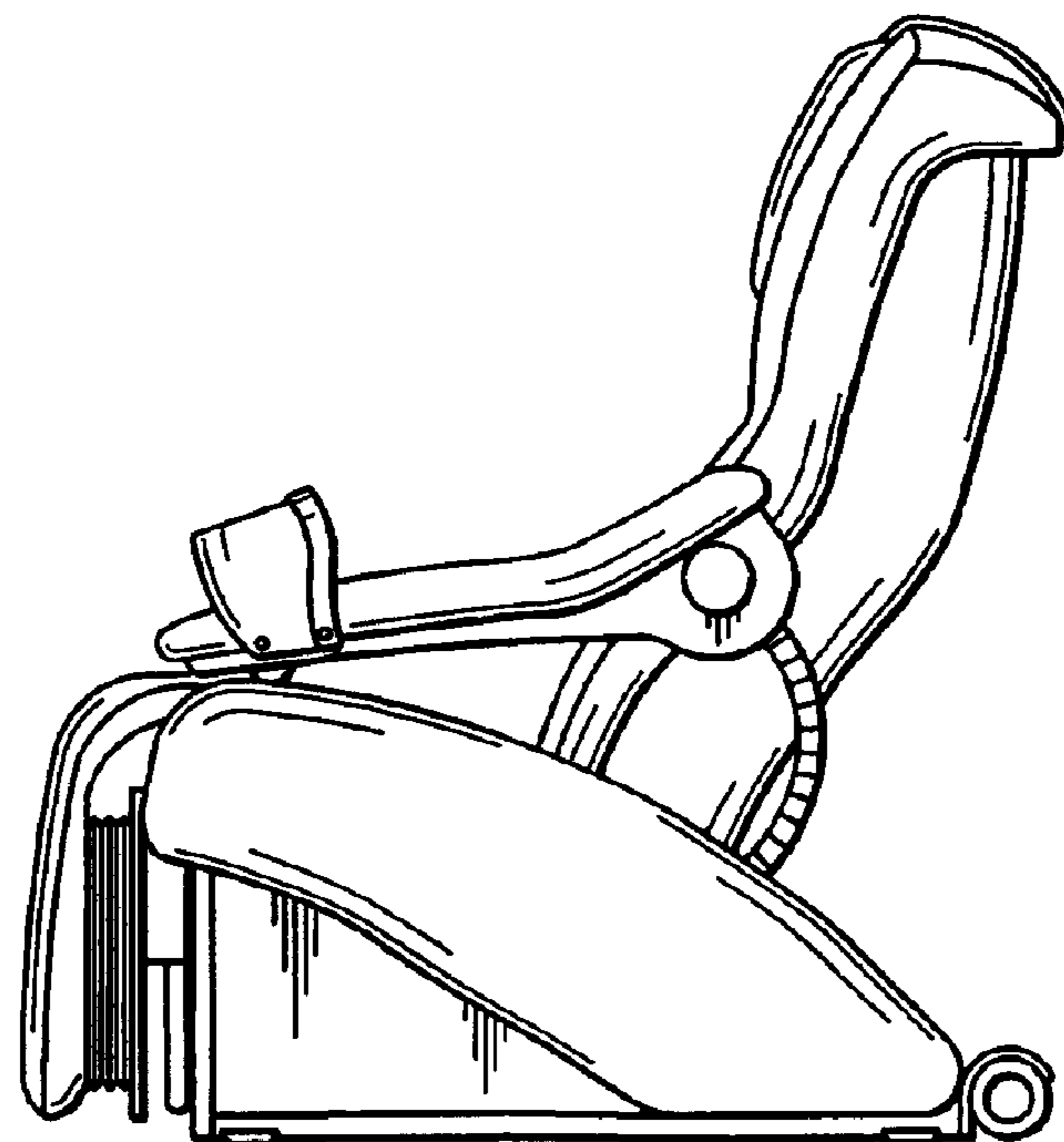


FIG. 6

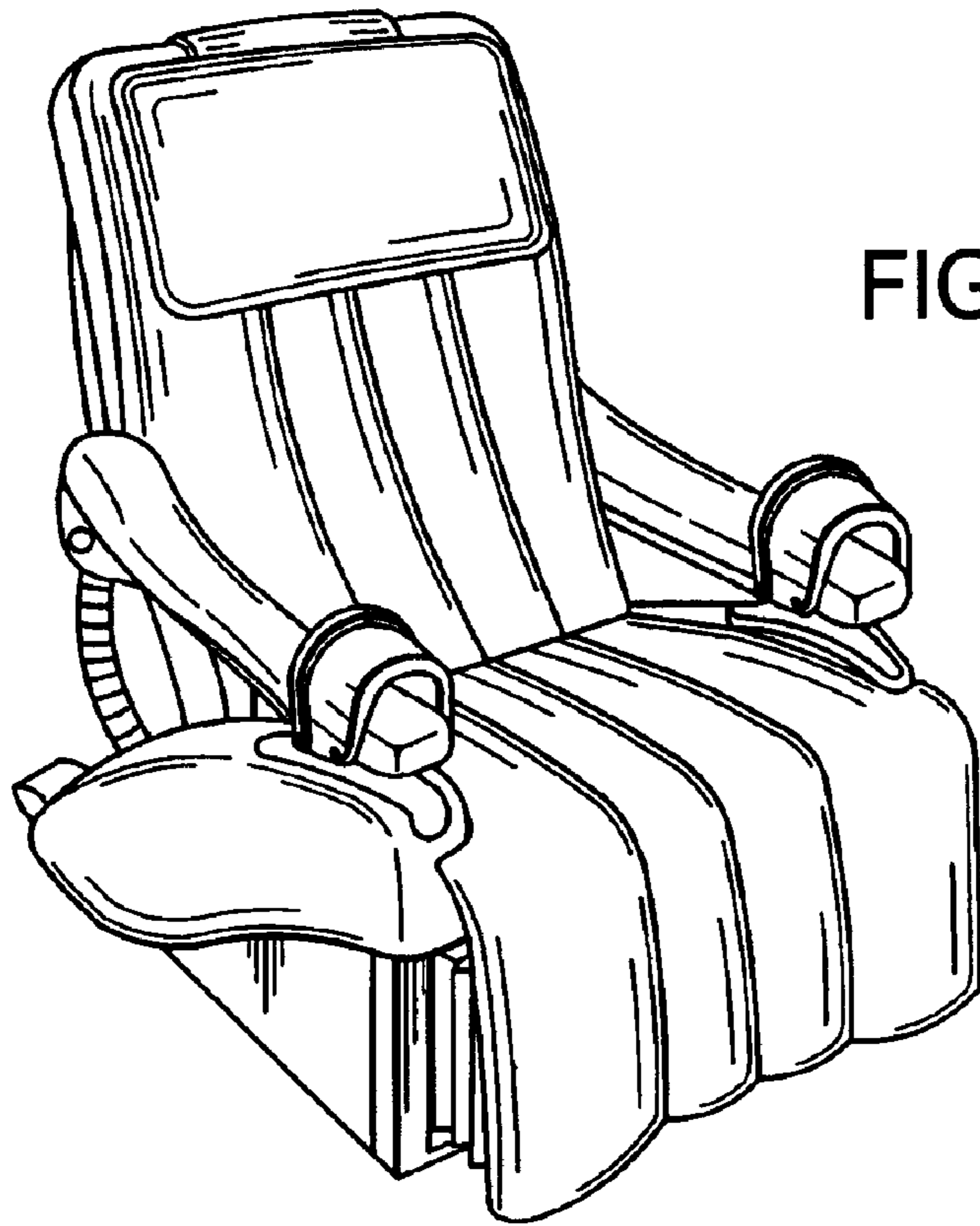


FIG. 7

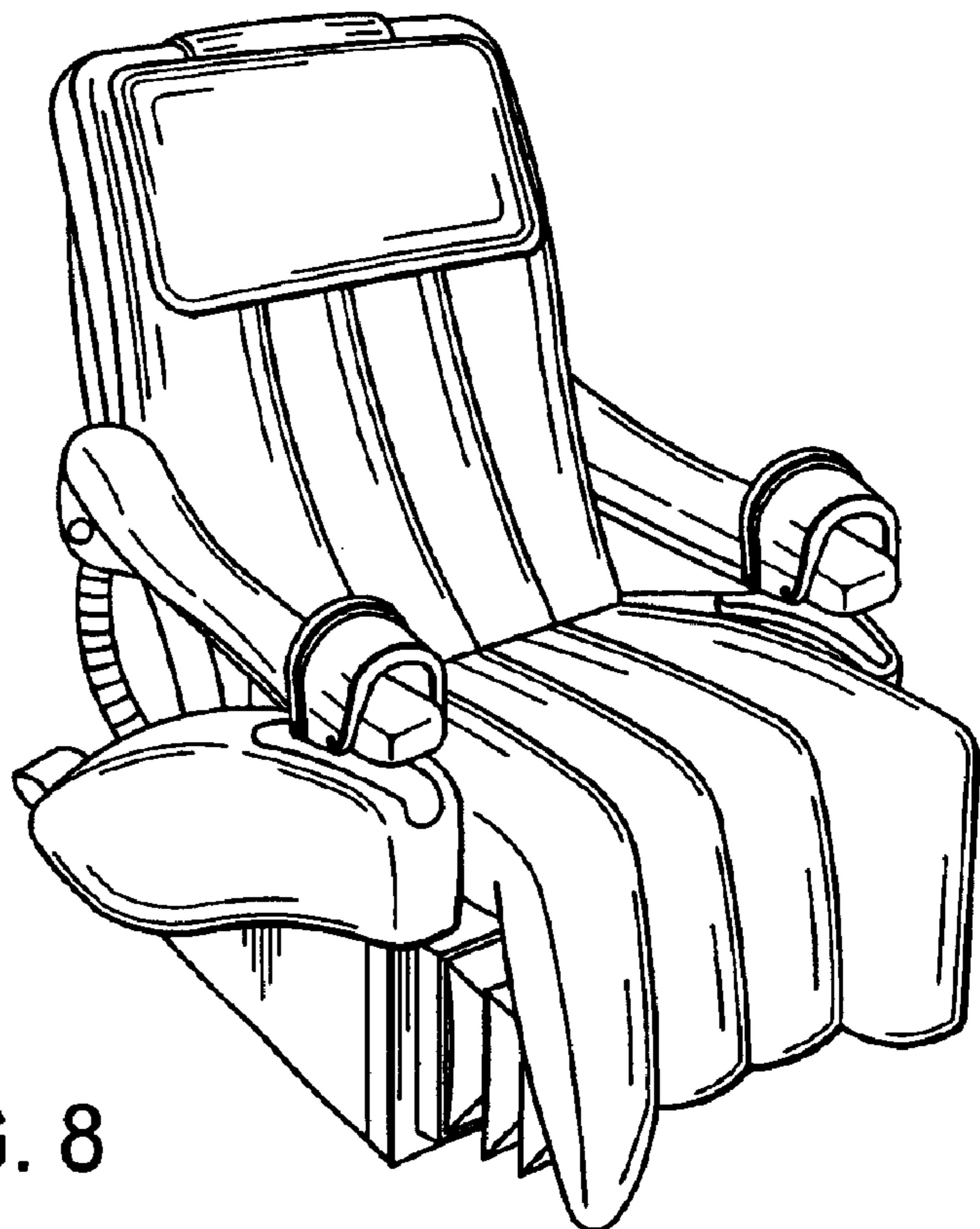


FIG. 8