

US00D503046S

(12) **United States Design Patent**
Caiazzo

(10) **Patent No.:** **US D503,046 S**

(45) **Date of Patent:** **** Mar. 22, 2005**

(54) **DOOR-TOP CLOTHES ORGANIZER**

(76) **Inventor:** **Rose Caiazzo**, 42B Piazza Correale,
Freehold, NJ (US) 07728

(**) **Term:** **14 Years**

(21) **Appl. No.:** **29/202,740**

(22) **Filed:** **Apr. 2, 2004**

(51) **LOC (7) Cl.** **06-08**

(52) **U.S. Cl.** **D6/327**

(58) **Field of Search** D6/327, 323, 320,
D6/328, 324, 325, 569, 567; 223/85, 88,
89, 94; 248/300-304, 309.1, 318, 322,
339, 914; 211/30, 32, 33, 106.01; D8/367;
206/378; D14/248

(56) **References Cited**

U.S. PATENT DOCUMENTS

D269,397 S	*	6/1983	Van Duyne	D6/567
D276,195 S	*	11/1984	Smith	D6/324
D299,461 S	*	1/1989	Blewitt	D14/248
D302,918 S	*	8/1989	Maki	D6/569
D310,762 S	*	9/1990	Embree et al.	D6/569
D323,284 S	*	1/1992	Thompson	D8/363

5,743,394 A	*	4/1998	Martin	206/378
D445,669 S	*	7/2001	Goodman et al.	D8/363
D473,452 S	*	4/2003	Knapp	D8/367
D479,795 S	*	9/2003	Snell	D8/367

* cited by examiner

Primary Examiner—Nanda Bondade

Assistant Examiner—Shanda C. Hill

(74) *Attorney, Agent, or Firm*—Mandel & Peslak, LLC;
Arthur M. Peslak

(57) **CLAIM**

The ornamental design for a door-top clothes organizer, as shown and described.

DESCRIPTION

FIG. 1 is a front perspective view of a door-top clothes hanger;

FIG. 2 is a side elevation view of a door-top clothes hanger;

FIG. 3 is a side elevation view of a door-top clothes hanger, opposite that shown in FIG. 2;

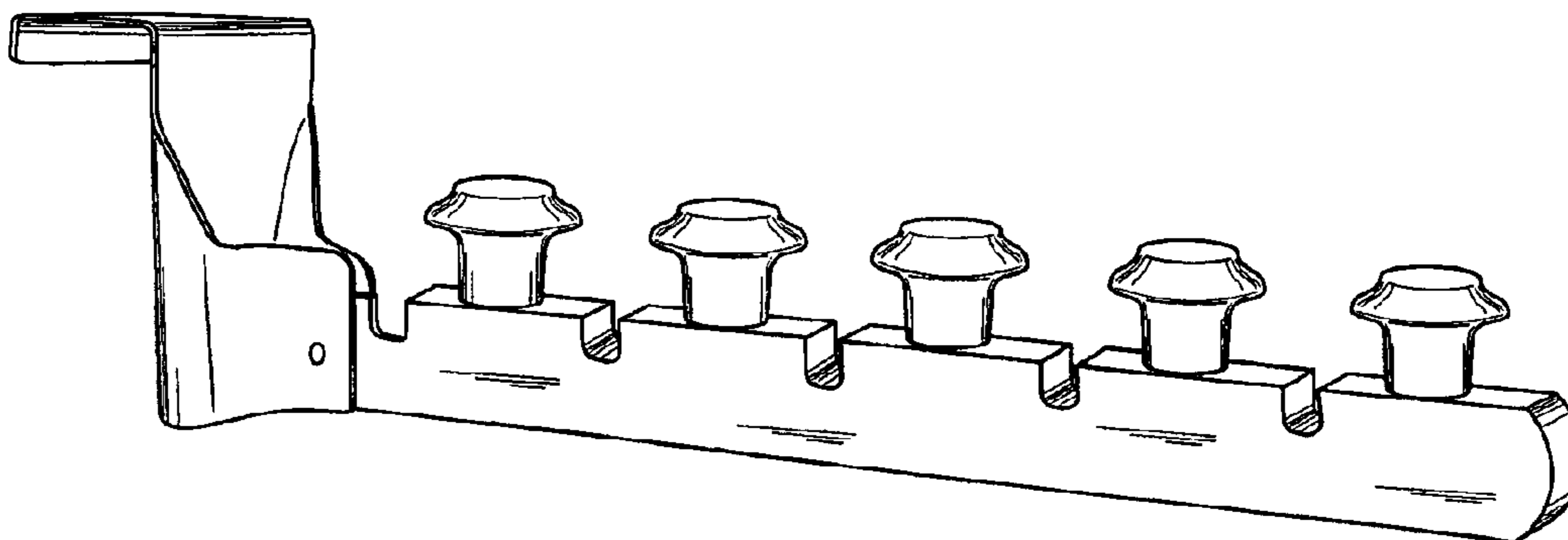
FIG. 4 is a front elevation view of a door-top clothes hanger;

FIG. 5 is a rear elevation view of a door-top clothes hanger;

FIG. 6 is a top plan view of a door-top clothes hanger; and,

FIG. 7 is a bottom plan view of a door-top clothes hanger.

1 Claim, 4 Drawing Sheets



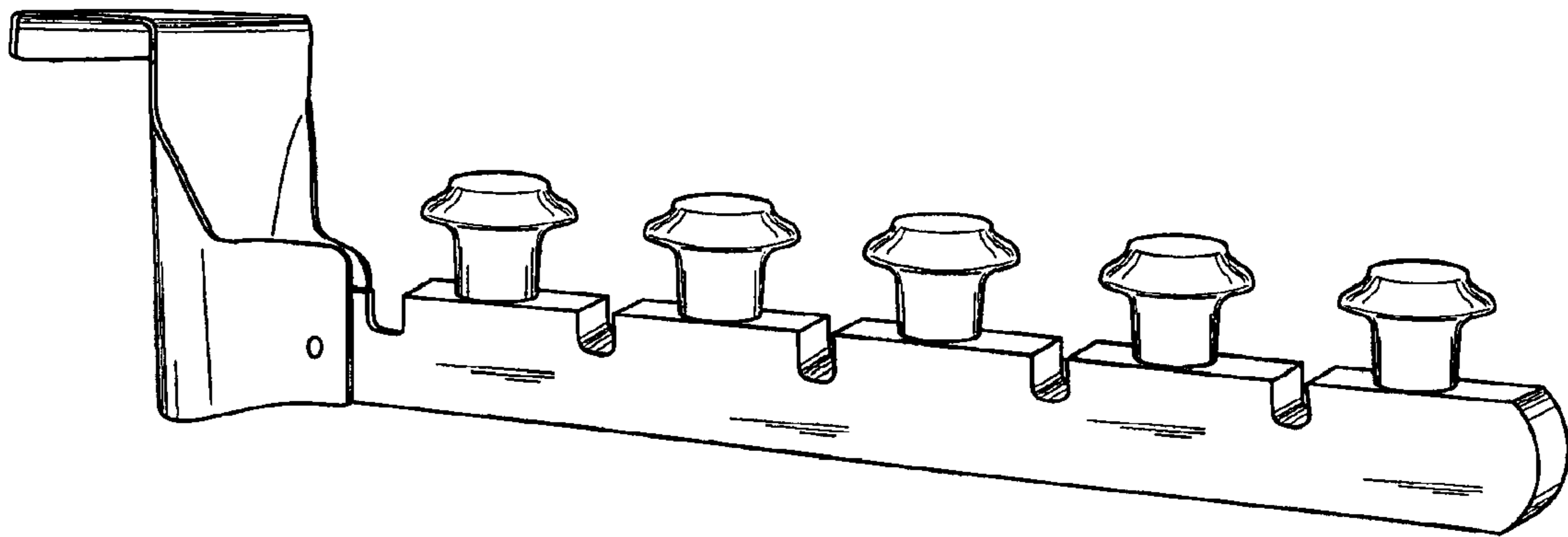


FIG. 1

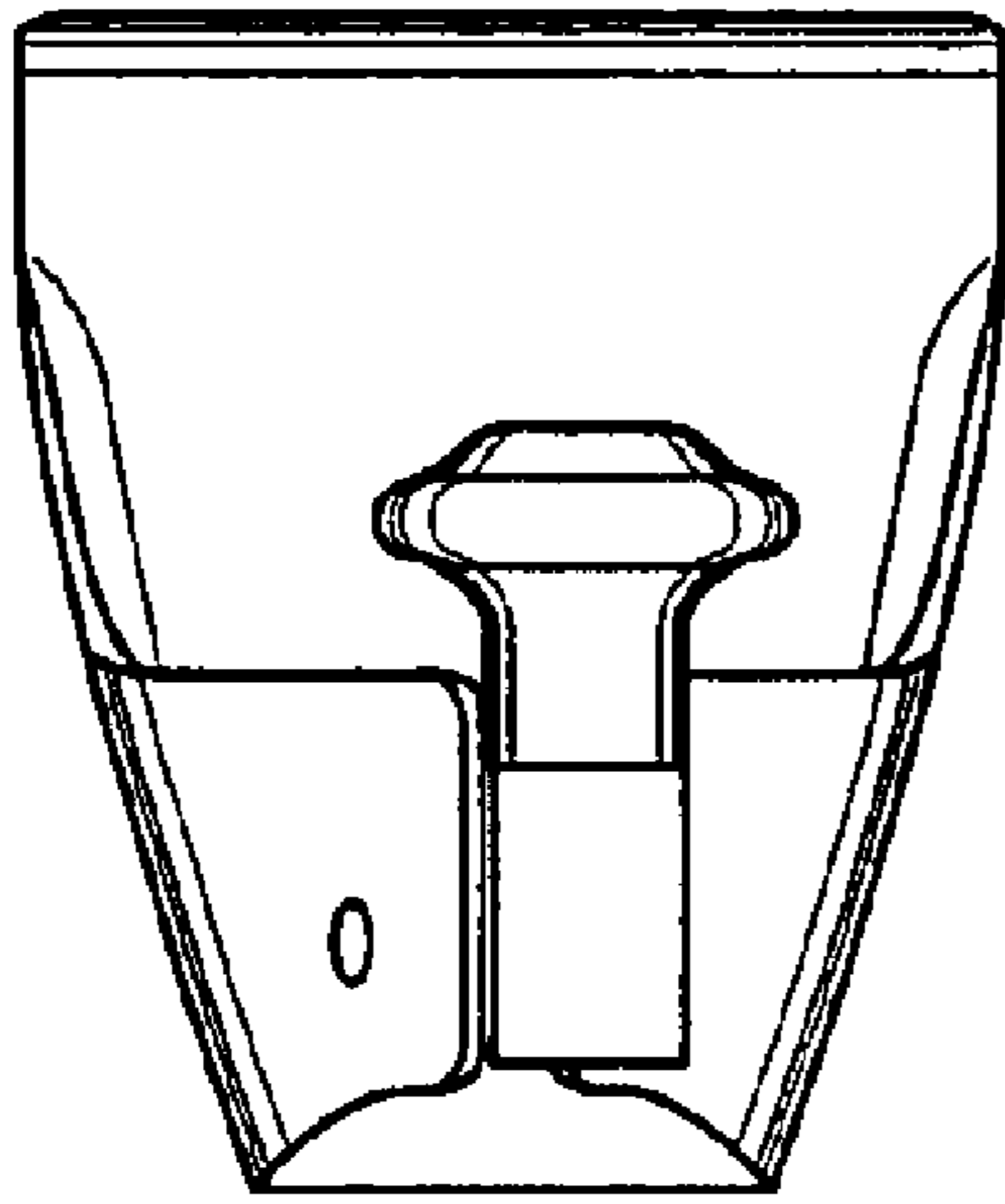


FIG. 2

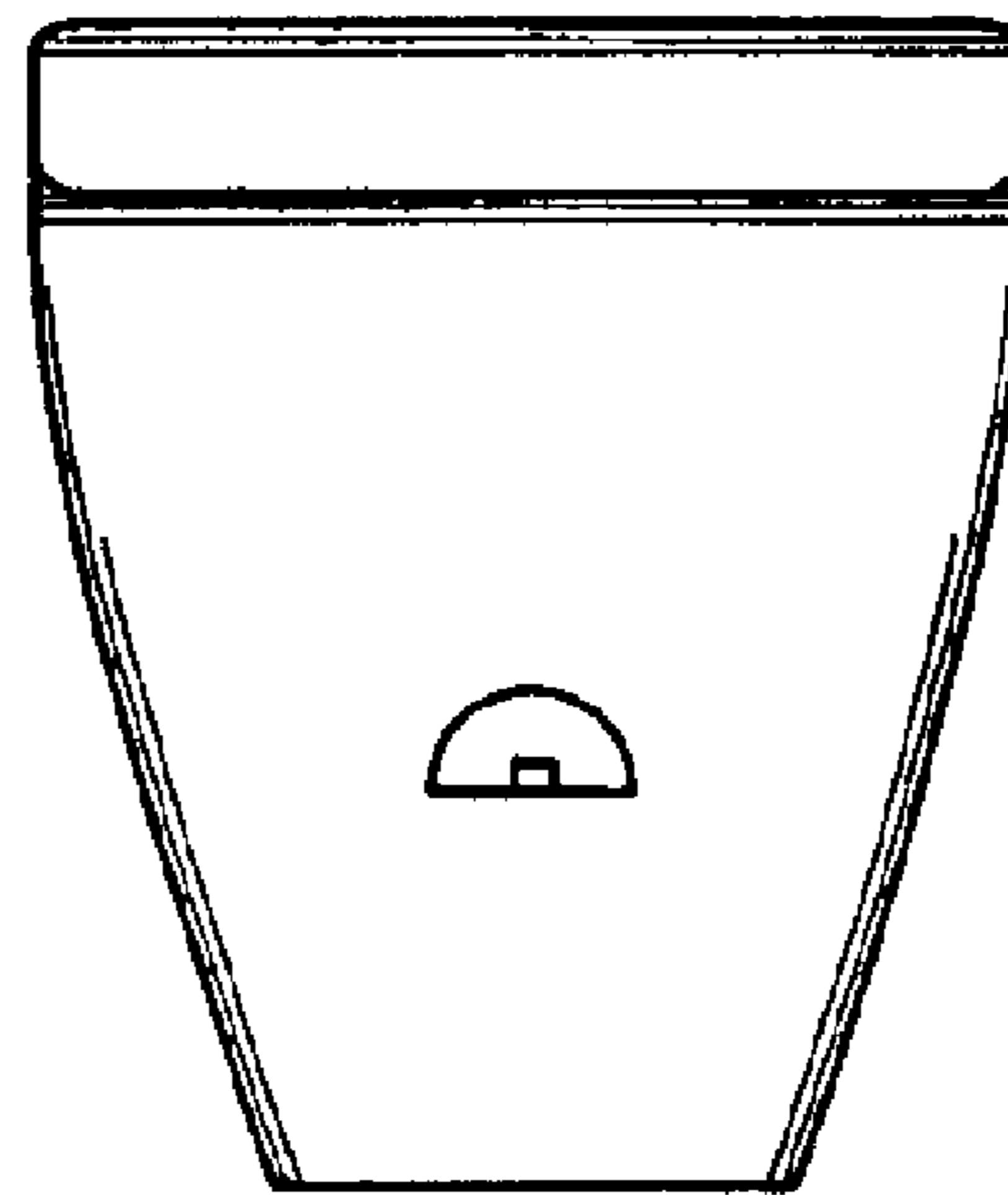


FIG. 3

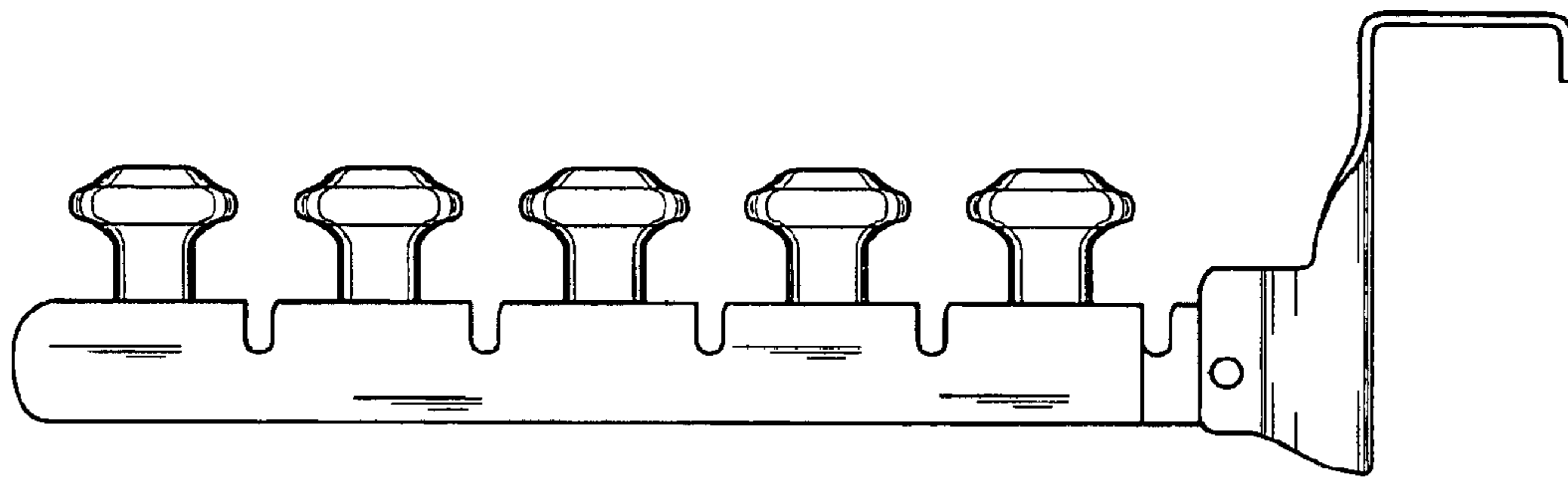


FIG. 4

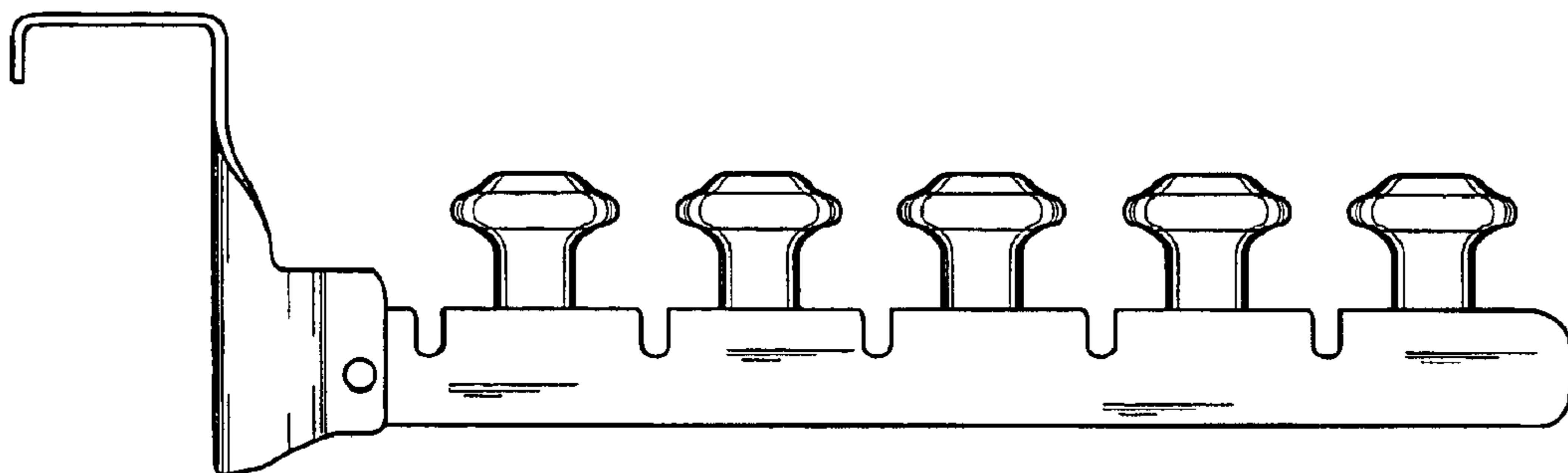


FIG. 5

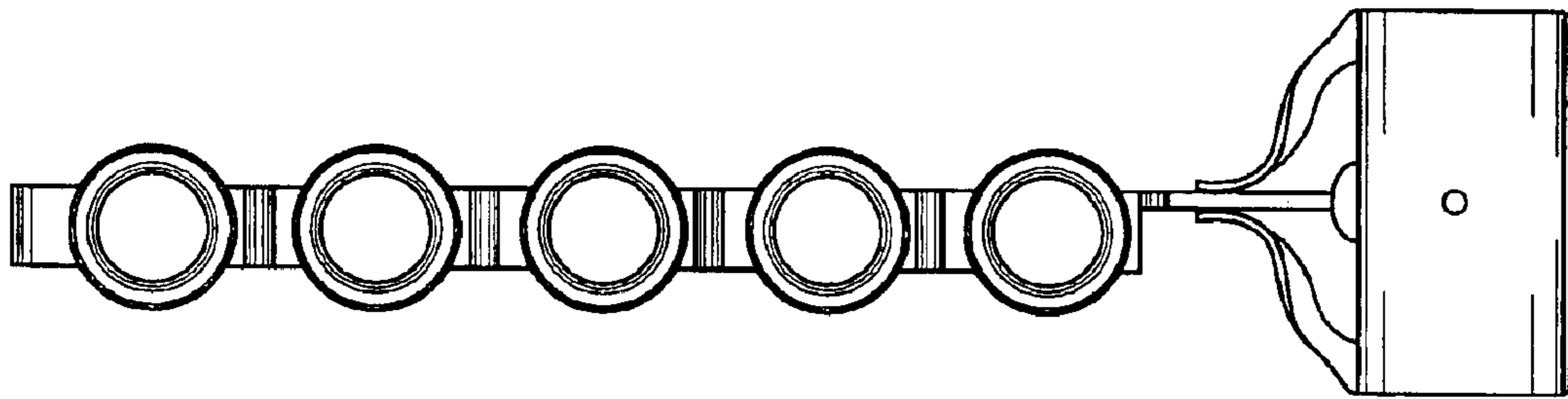


FIG. 6

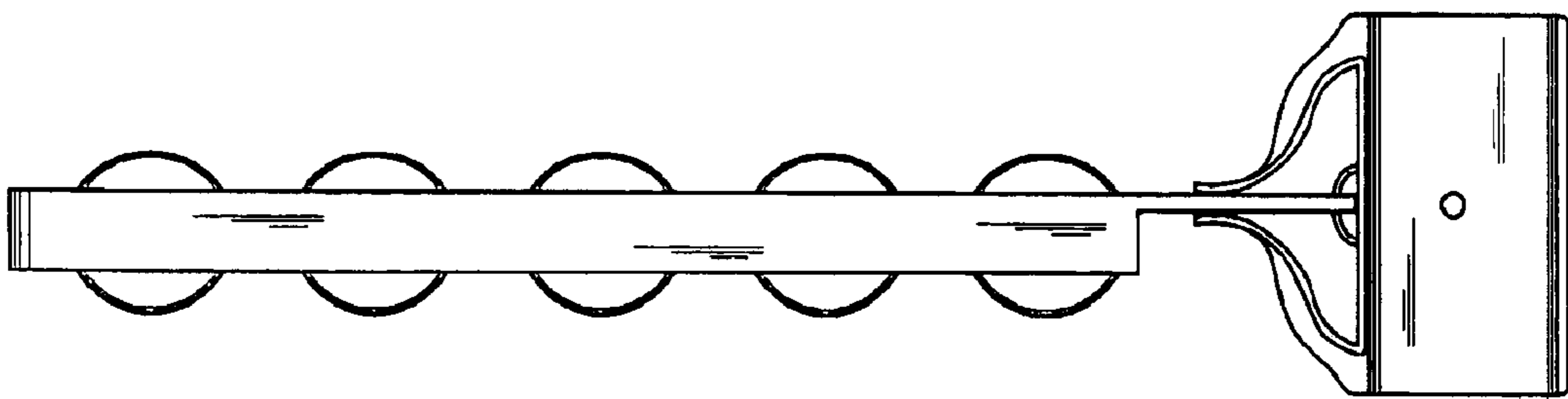


FIG. 7