

US00D503044S

(12) **United States Design Patent**  
**Vaught**

(10) **Patent No.:** **US D503,044 S**  
(45) **Date of Patent:** **\*\* Mar. 22, 2005**

(54) **CLEANING BRUSH**

(75) **Inventor:** **Alan Vaught**, Huntington Beach, CA (US)

(73) **Assignee:** **Evans Manufacturing INC**, Garden Grove, CA (US)

(\*\*) **Term:** **14 Years**

(21) **Appl. No.:** **29/196,128**

(22) **Filed:** **Dec. 22, 2003**

(51) **LOC (7) Cl.** ..... **04-01**

(52) **U.S. Cl.** ..... **D4/135**

(58) **Field of Search** ..... D4/132, 135, 138;  
15/143.1, 159.1, 160, 168, 186, 187, 191.1,  
192, 193

(56) **References Cited**

**U.S. PATENT DOCUMENTS**

- D30,616 S \* 4/1899 Bentzinger ..... D4/135
- D46,141 S \* 7/1914 Thurber ..... D4/135
- D130,657 S \* 12/1941 Hanle
- D167,950 S \* 10/1952 Porter ..... D4/135
- D456,612 S \* 5/2002 Lu ..... D4/135 X

\* cited by examiner

*Primary Examiner*—Alan P. Douglas  
*Assistant Examiner*—Lavone D. Tabor

(74) *Attorney, Agent, or Firm*—James G O'Neill; Klein, O'Neill & Singh, LLP

(57) **CLAIM**

The ornamental design for a cleaning brush, as shown and described.

**DESCRIPTION**

FIG. 1 is a perspective view of a first embodiment of a cleaning brush of the present invention, showing my new design;

FIG. 2 is a top plan view of FIG. 1;

FIG. 3 is a front elevational view of FIG. 1

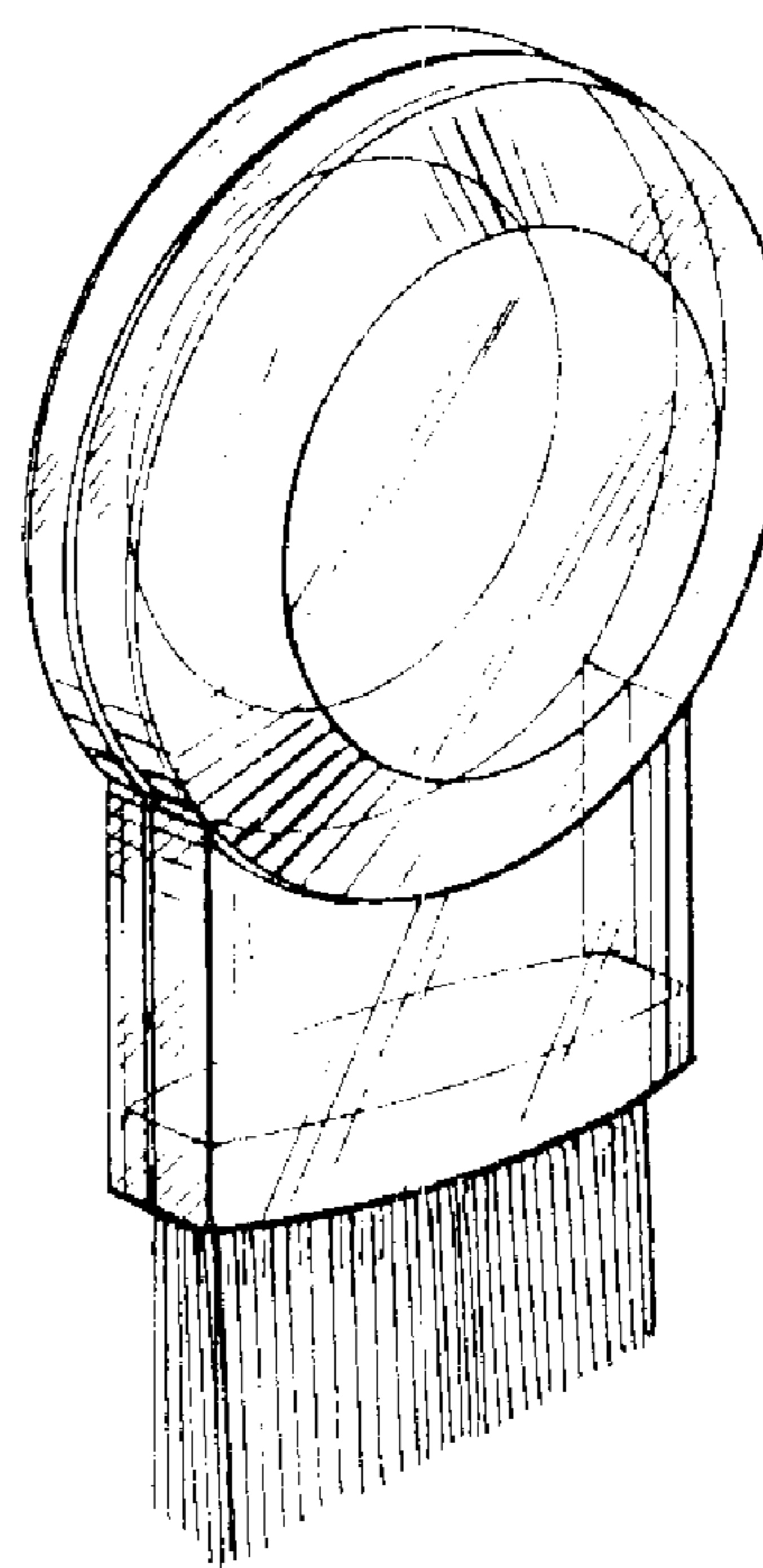
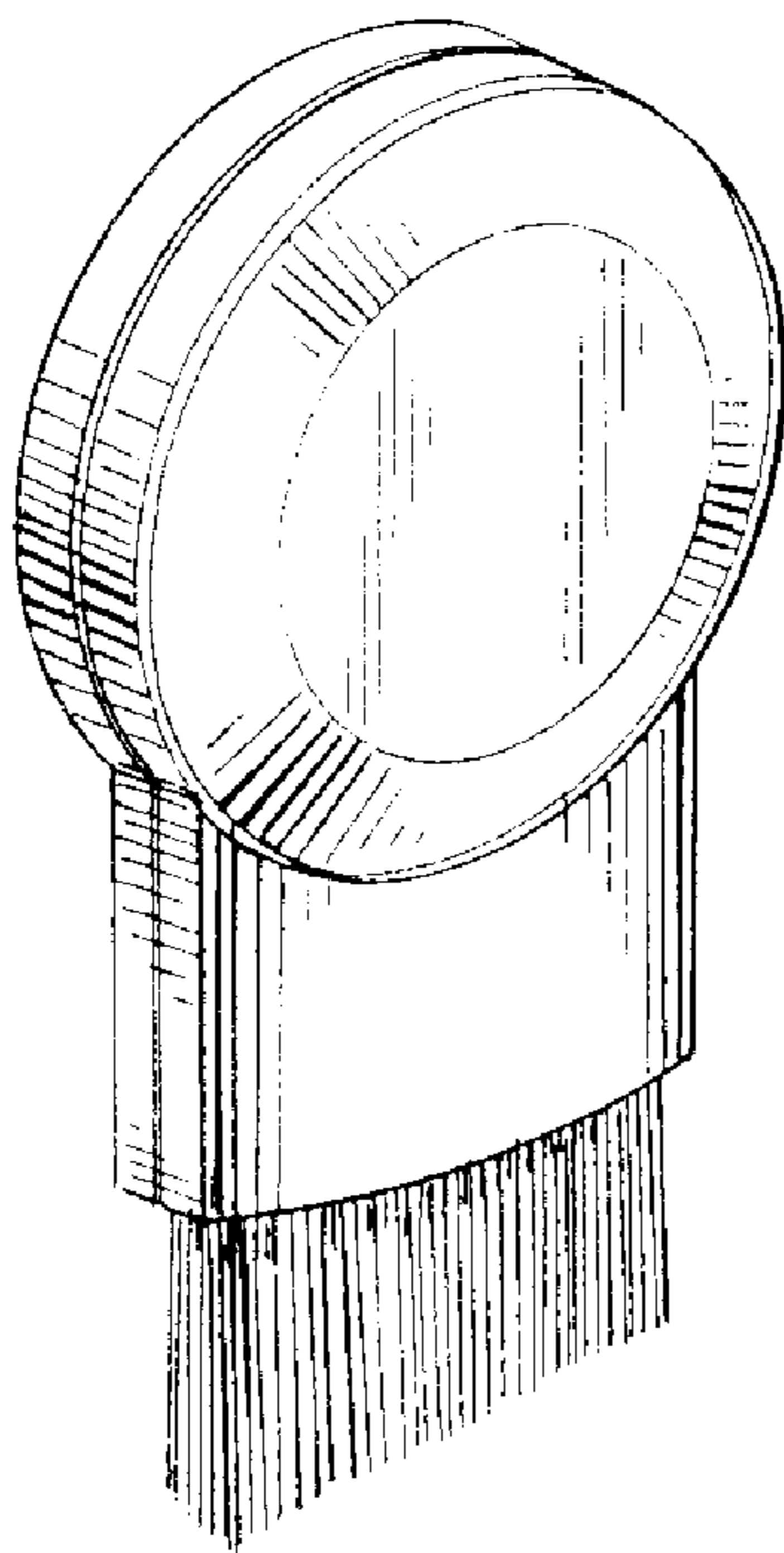
FIG. 4 is a left side view of FIG. 1;

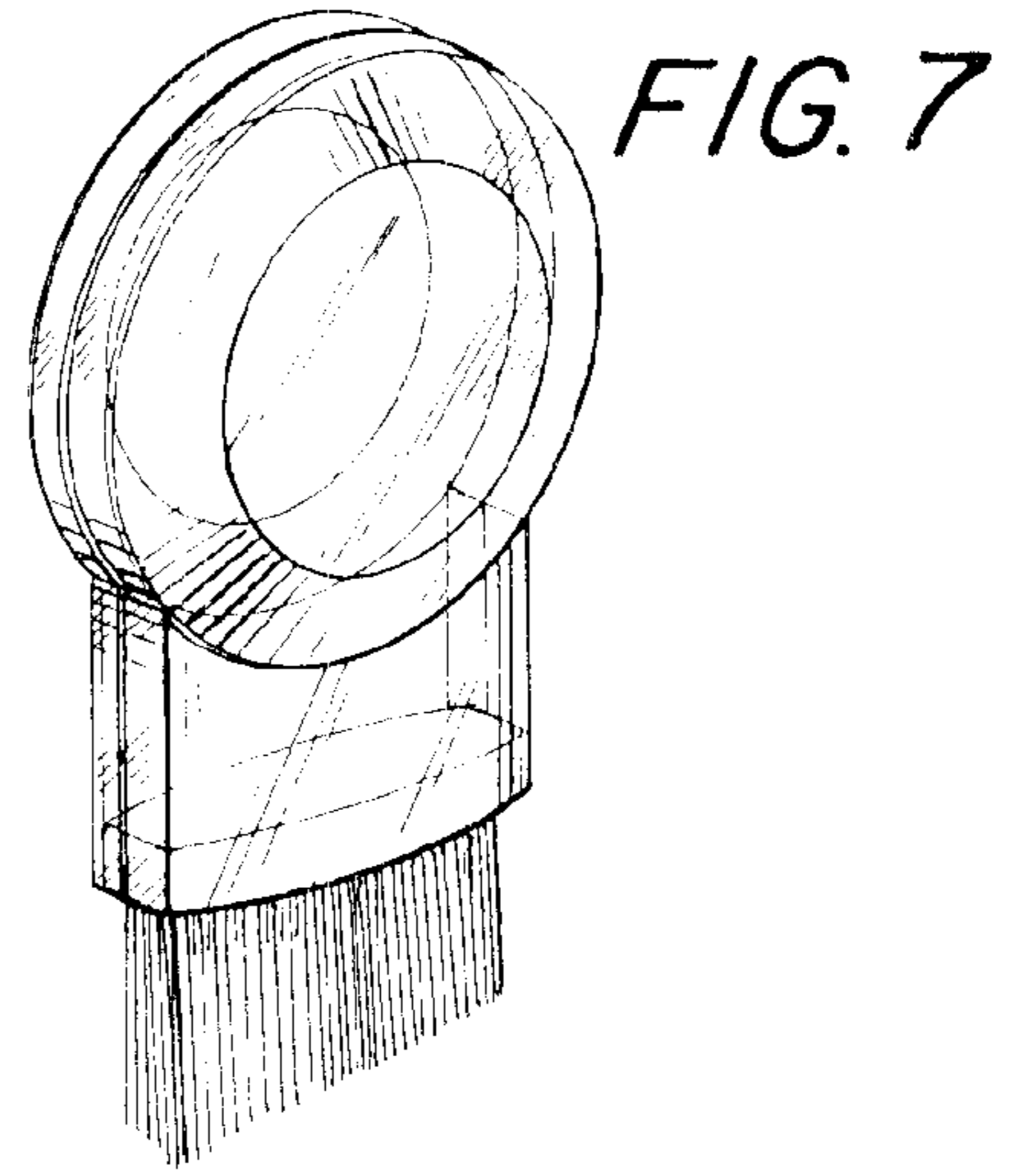
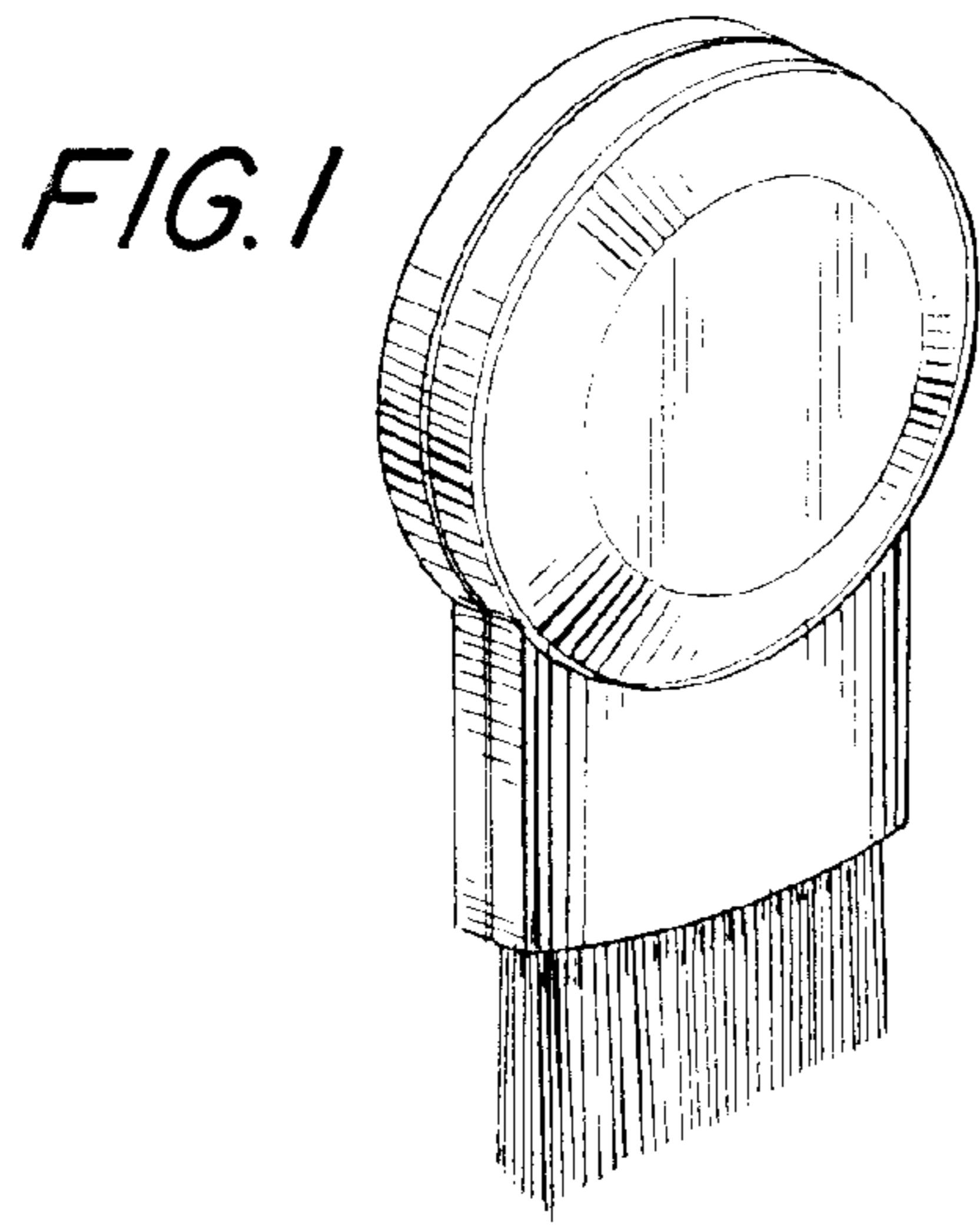
FIG. 5 is a right side view of FIG. 1;

FIG. 6 is bottom plan view of FIG. 1; and,

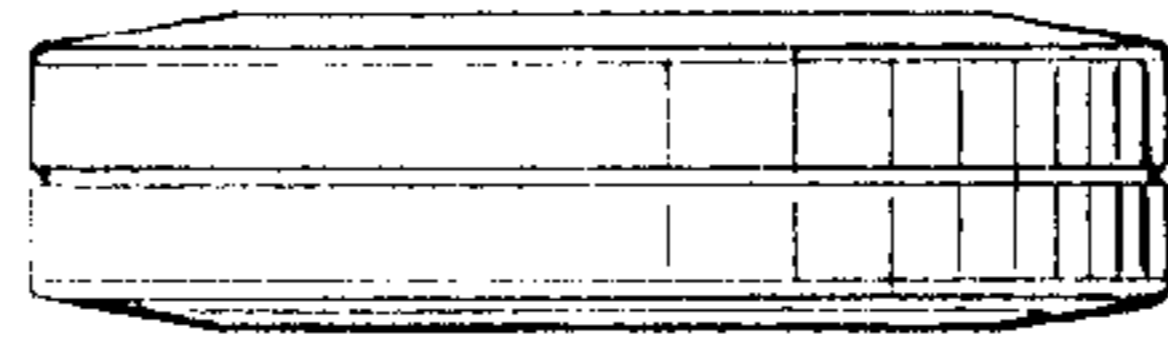
FIG. 7 is a perspective view of a second embodiment of the cleaning head of the present invention, the sole difference being that the body of the brush is transparent.

**1 Claim, 1 Drawing Sheet**

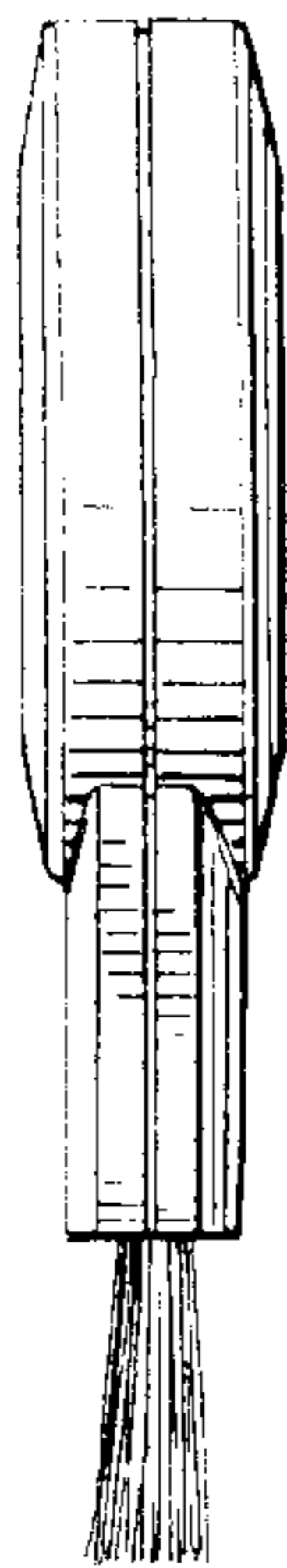




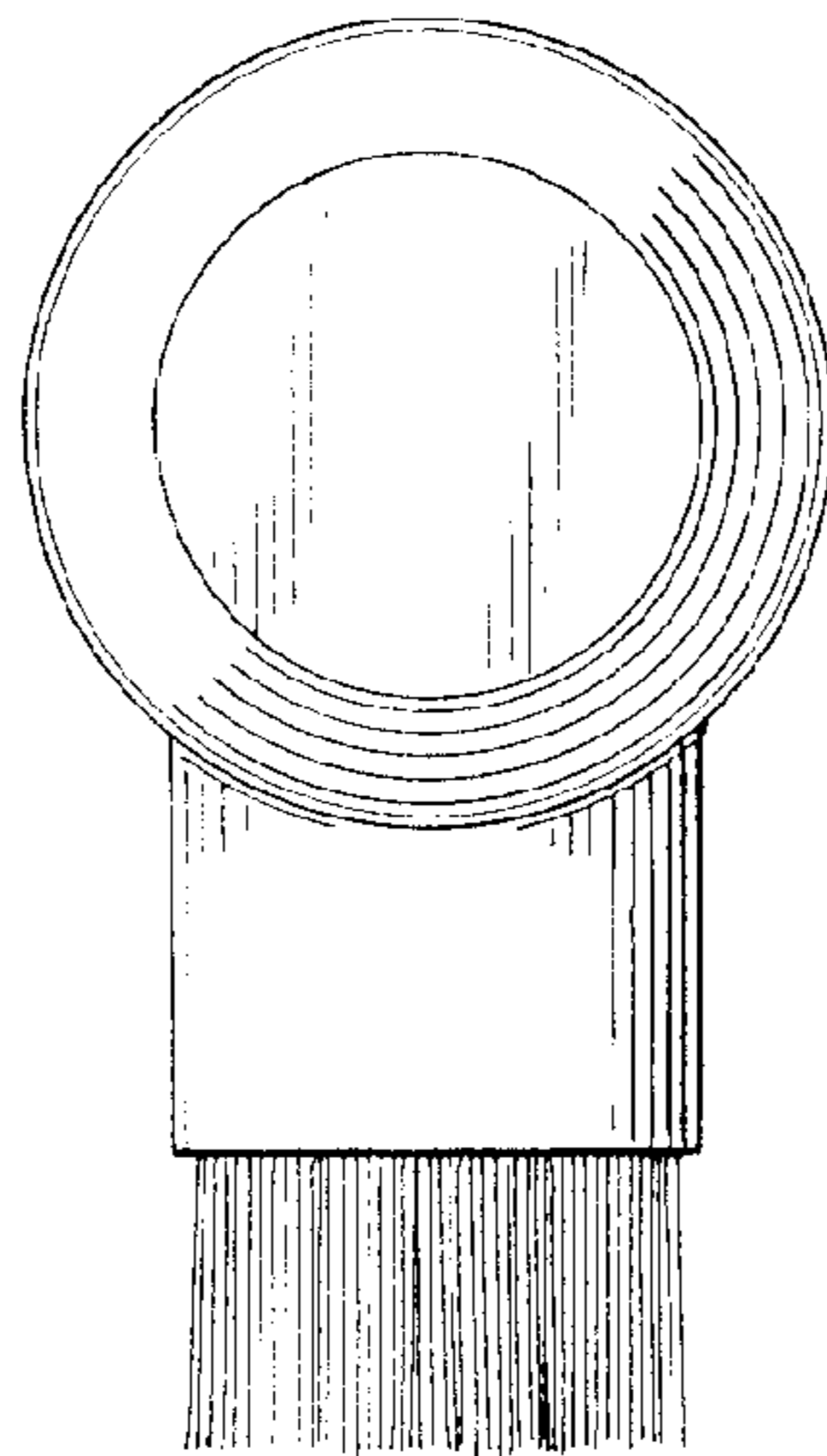
*FIG. 2*



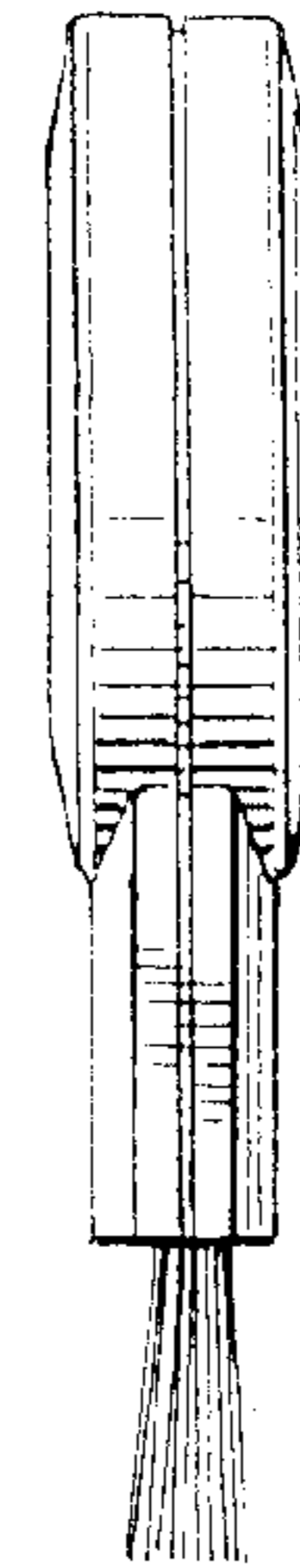
*FIG. 4*



*FIG. 3*



*FIG. 5*



*FIG. 6*

