

US00D503041S

(12) **United States Design Patent**
Hepworth et al.

(10) **Patent No.: US D503,041 S**
(45) **Date of Patent: ** Mar. 22, 2005**

(54) **CONTAINER**

(75) Inventors: **Paul Steabben Hepworth**, Surrey
(GB); **Simon James Skillings**,
Staffordshire (GB)

(73) Assignee: **Turner Intellectual Property Limited**,
Staffordshire (GB)

(**) Term: **14 Years**

(21) Appl. No.: **29/175,677**

(22) Filed: **Feb. 7, 2003**

(30) **Foreign Application Priority Data**

Aug. 9, 2002 (GB) 3006101

(51) **LOC (7) Cl.** **03-01**

(52) **U.S. Cl.** **D3/276**

(58) **Field of Search** D3/273, 280-282,
D3/276, 302, 294, 905; 206/349, 372-379

(56) **References Cited**

U.S. PATENT DOCUMENTS

D453,323 S * 2/2002 Conrad D3/273
D458,448 S * 6/2002 Jakab D3/276
D474,340 S * 5/2003 Vasudeva D3/282

D478,725 S * 8/2003 Vasudeva et al. D3/282
D483,564 S * 12/2003 McKeegan D3/273
D483,945 S * 12/2003 Tanji D3/273

FOREIGN PATENT DOCUMENTS

GB 2103997 9/2001
GB 2104000 1/2002

* cited by examiner

Primary Examiner—Catherine R. Oliver
(74) *Attorney, Agent, or Firm*—Nikolai & Mersereau, P.A.

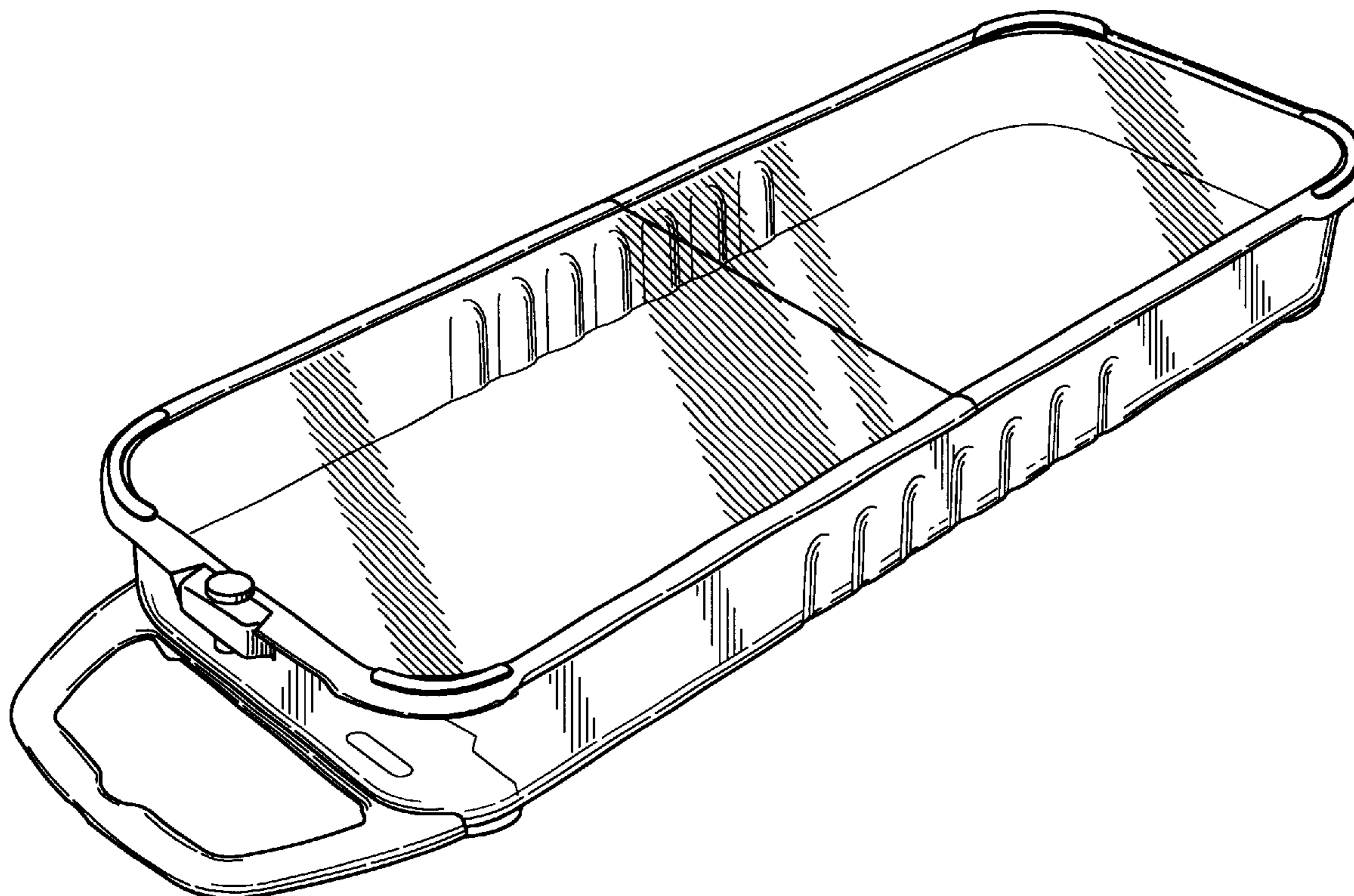
(57) **CLAIM**

The ornamental design for a container, as shown and described.

DESCRIPTION

FIG. 1 is a perspective view from front and above of a container showing the new design; FIG. 2 is a plan view from above thereof; FIG. 3 is a side elevational view thereof; FIG. 4 is a front elevational view thereof; FIG. 5 is a rear elevational view thereof; and, FIG. 6 is a perspective view from front and above showing a lid portion in an open position thereof.

1 Claim, 6 Drawing Sheets



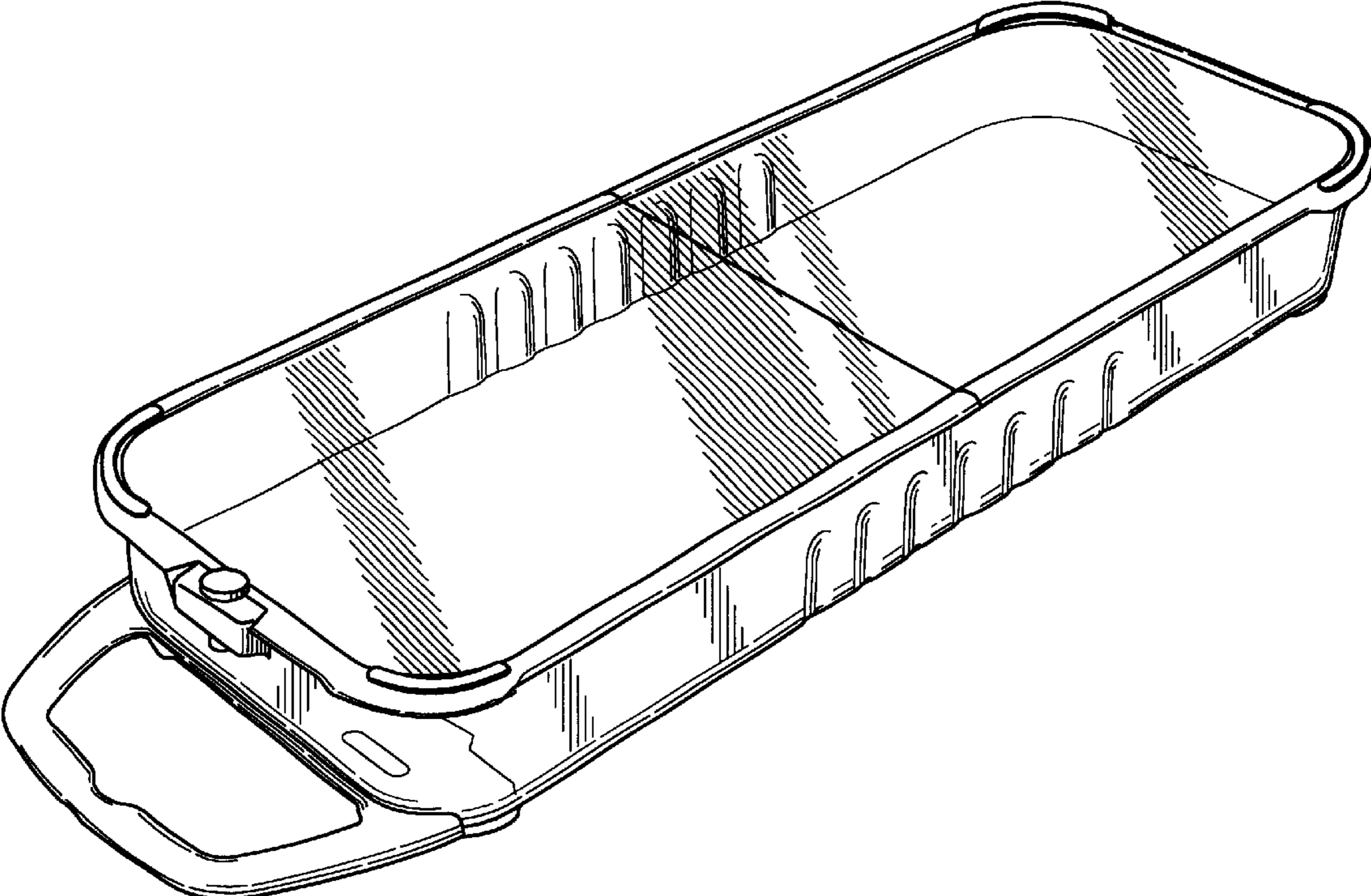


Fig. 1

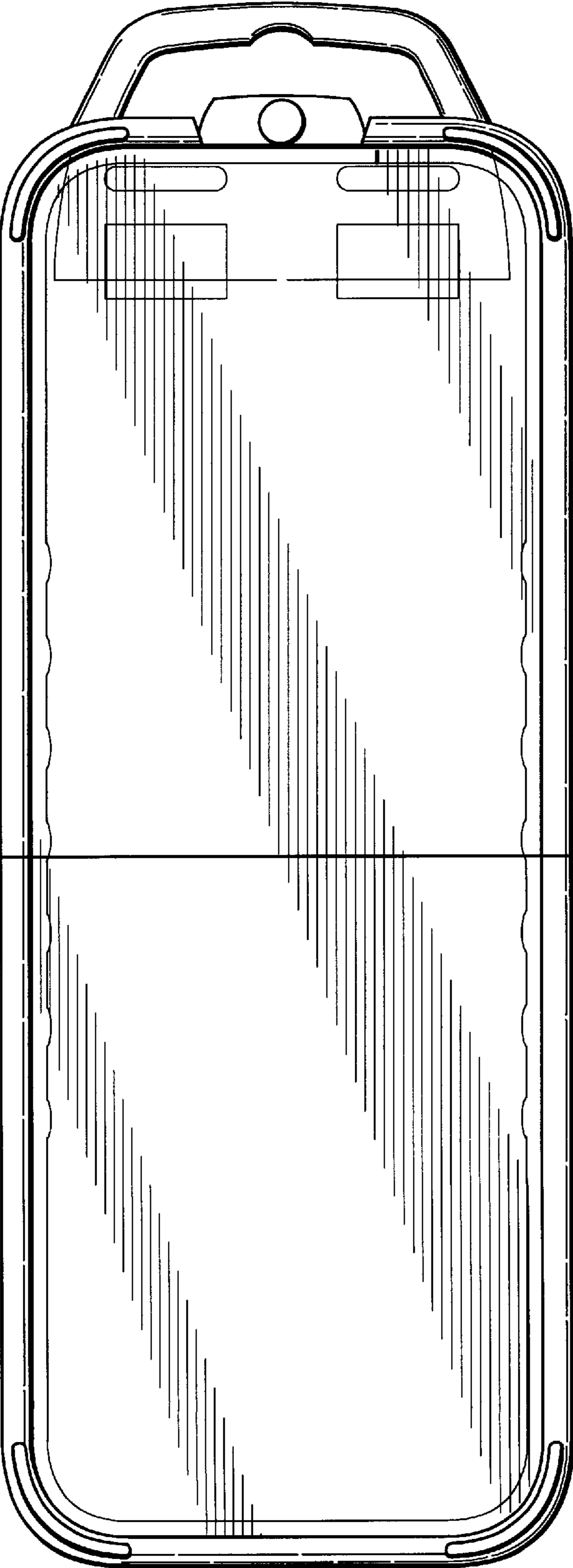


Fig. 2

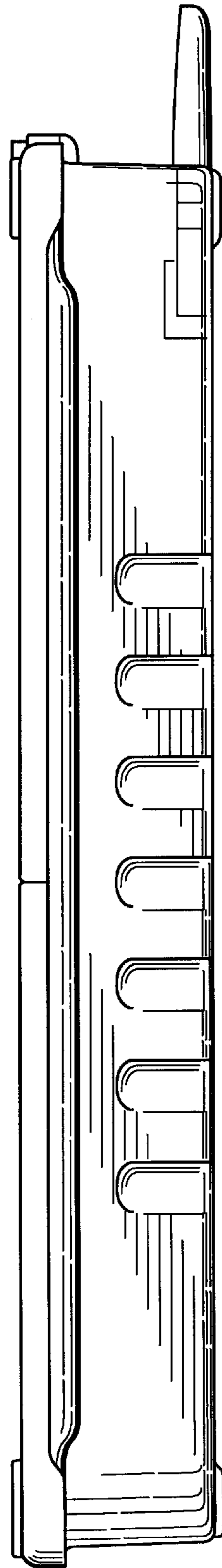


Fig. 3

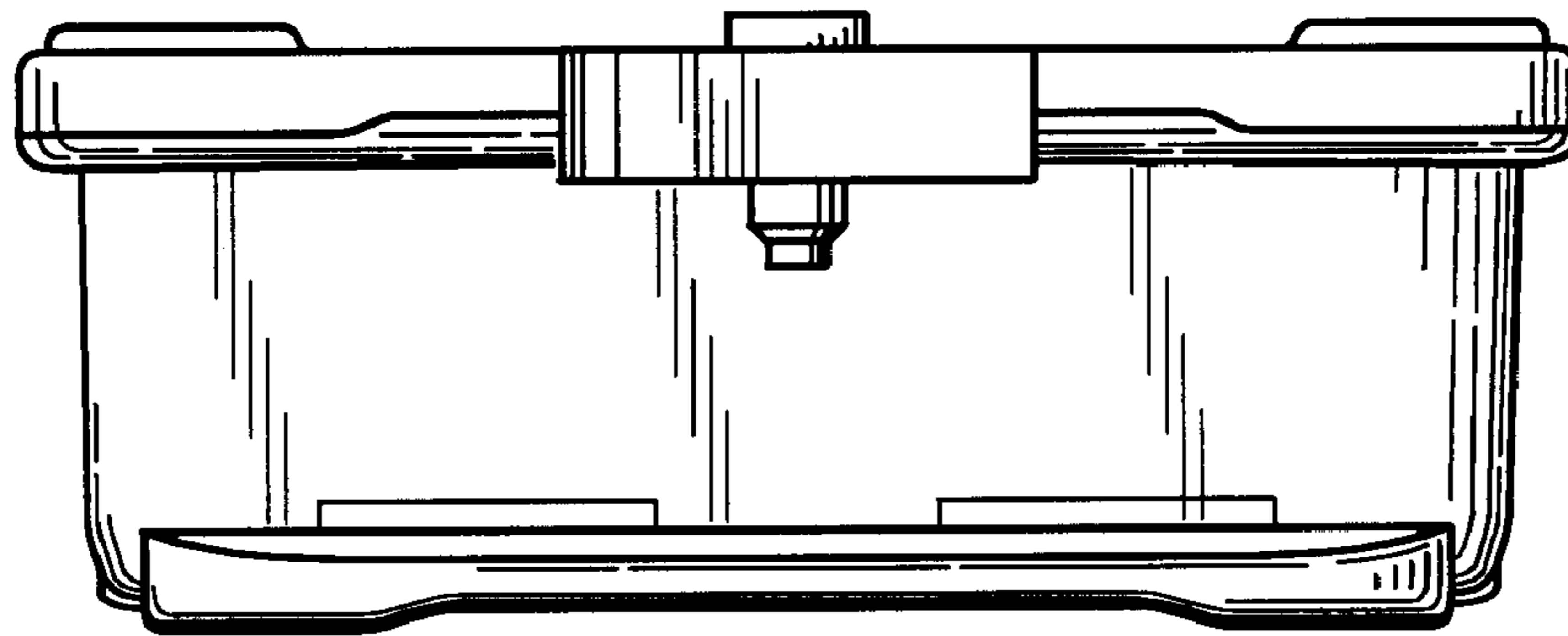


Fig. 4

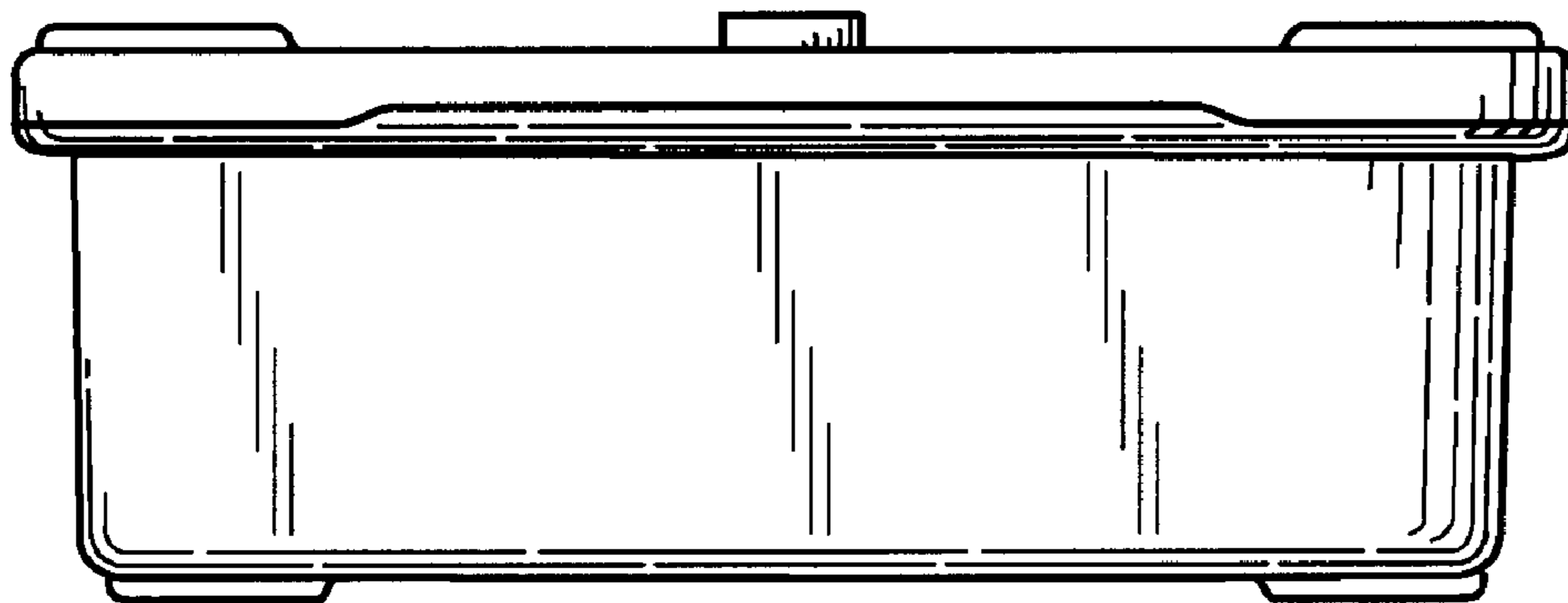


Fig. 5

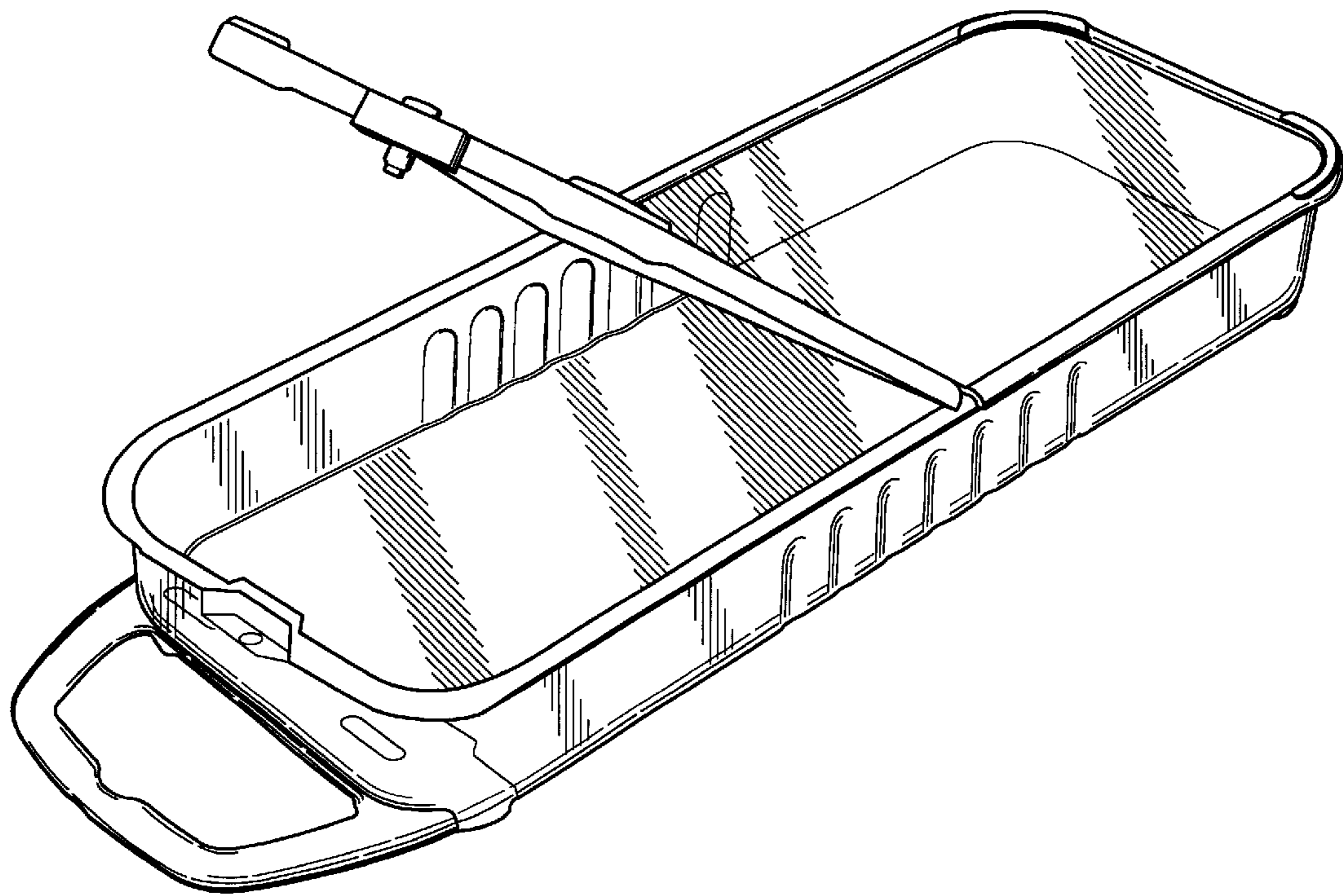


Fig. 6