

US00D503035S

(12) **United States Design Patent**  
**Ko**

(10) **Patent No.:** **US D503,035 S**  
(45) **Date of Patent:** **\*\* Mar. 22, 2005**

(54) **UMBRELLA SHAFT HAVING SEVEN TUBES**

(76) **Inventor:** **Chin Sung Ko**, No. 38, Din Nan Road,  
Ho-mei, Changhua Shien (TW)

(\*\*) **Term:** **14 Years**

(21) **Appl. No.:** **29/200,684**

(22) **Filed:** **Mar. 4, 2004**

(51) **LOC (7) Cl.** ..... **03-03**

(52) **U.S. Cl.** ..... **D3/5**

(58) **Field of Search** ..... D3/5-6, 10-11,  
D3/17; 135/98, 15.1, 16, 20.1, 25.1, 19.5,  
22, 27, 25.4, 75; 297/184.16

(56) **References Cited**

**U.S. PATENT DOCUMENTS**

6,371,686 B1 \* 4/2002 Wu ..... 135/25.1  
6,418,949 B1 \* 7/2002 Lin et al. .... 135/25.1  
D487,843 S \* 3/2004 Ko ..... D3/10

\* cited by examiner

*Primary Examiner*—Robert A. Delehanty  
(74) *Attorney, Agent, or Firm*—Rosenberg, Klein & Lee

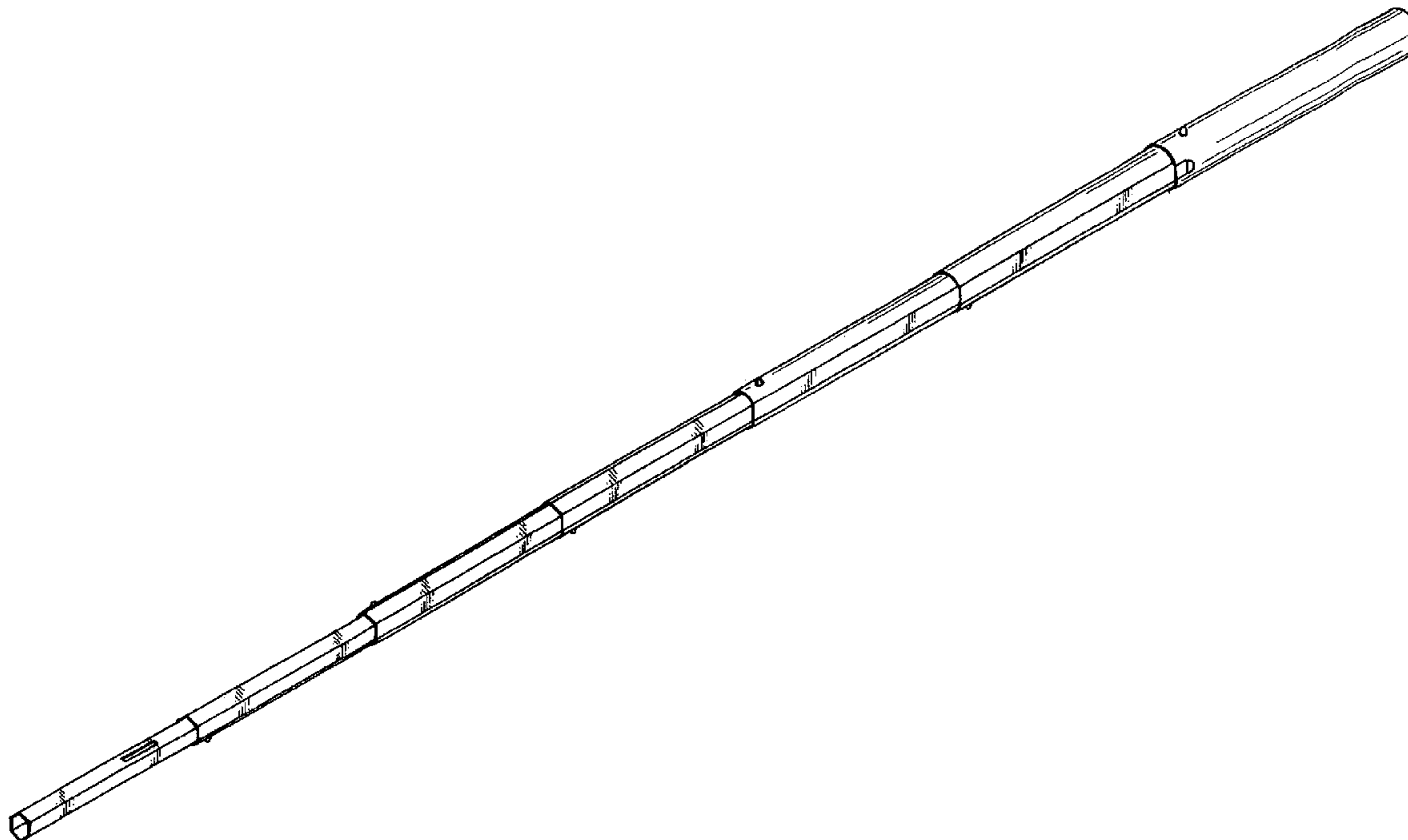
(57) **CLAIM**

The ornamental design for an umbrella shaft having seven tubes, as shown and described.

**DESCRIPTION**

FIG. 1 is a perspective view of an umbrella shaft having seven tubes showing my new design;  
FIG. 2 is a front plan view thereof;  
FIG. 3 is a rear plan view thereof;  
FIG. 4 is a left side plan view thereof;  
FIG. 5 is a right side plan view thereof;  
FIG. 6 is a top plan view thereof;  
FIG. 7 is a bottom plan view thereof; and,  
FIG. 8 A to G shows the cross-sectional view of each tube of the umbrella shaft of my design.

**1 Claim, 4 Drawing Sheets**



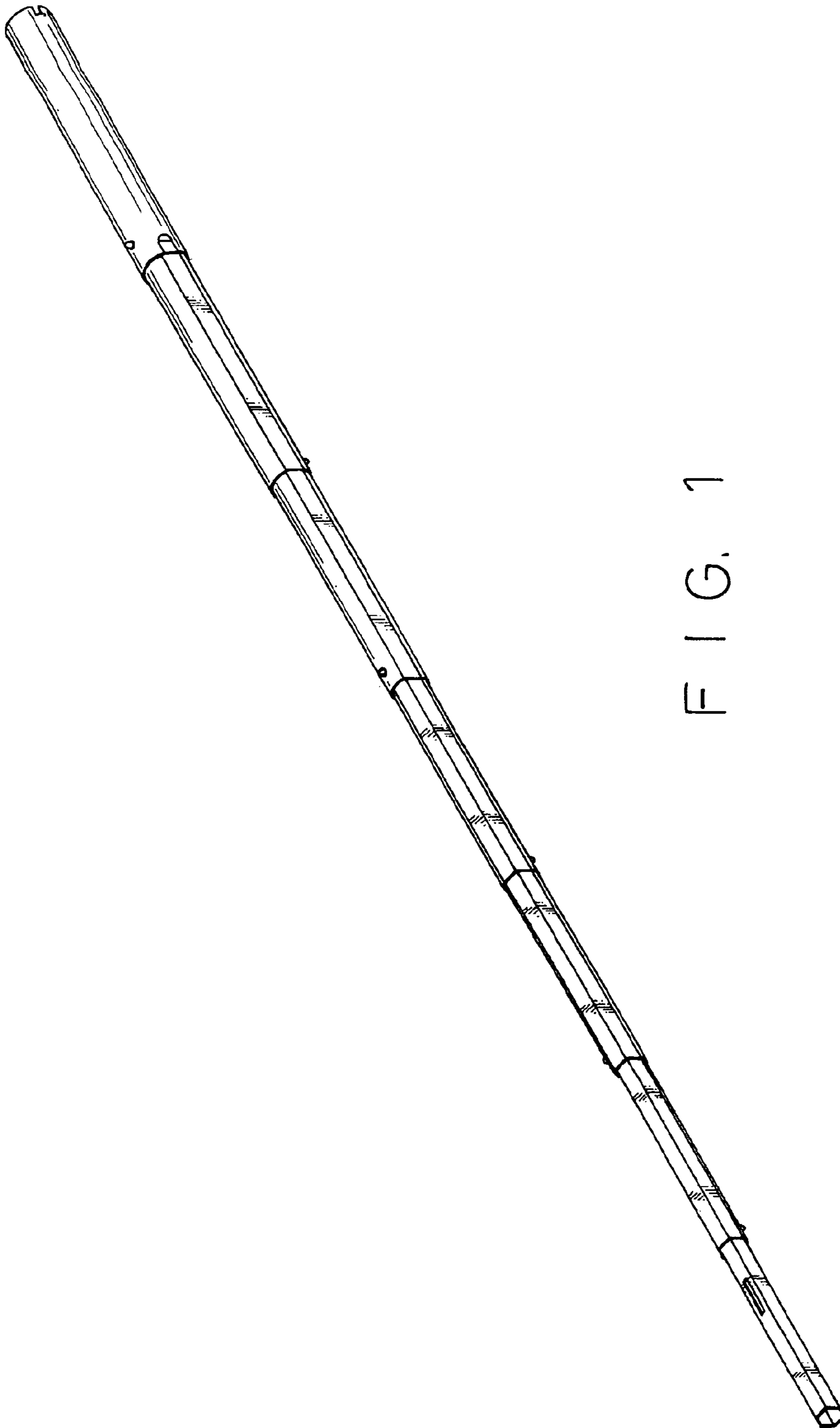


FIG. 1



FIG. 2



FIG. 3

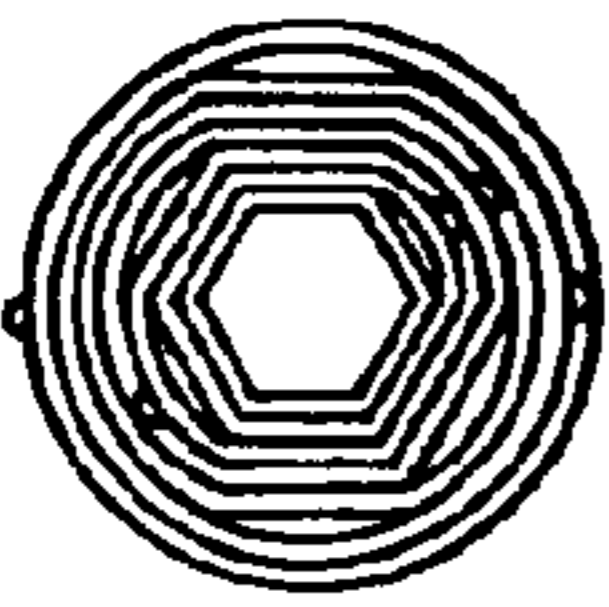


FIG. 4

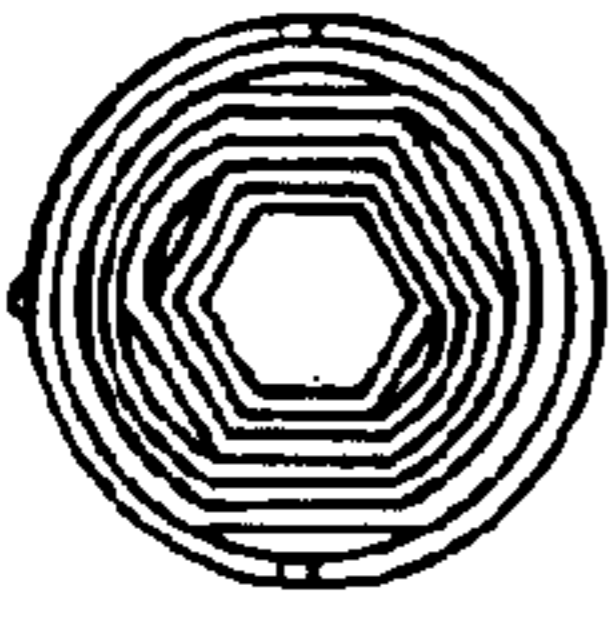


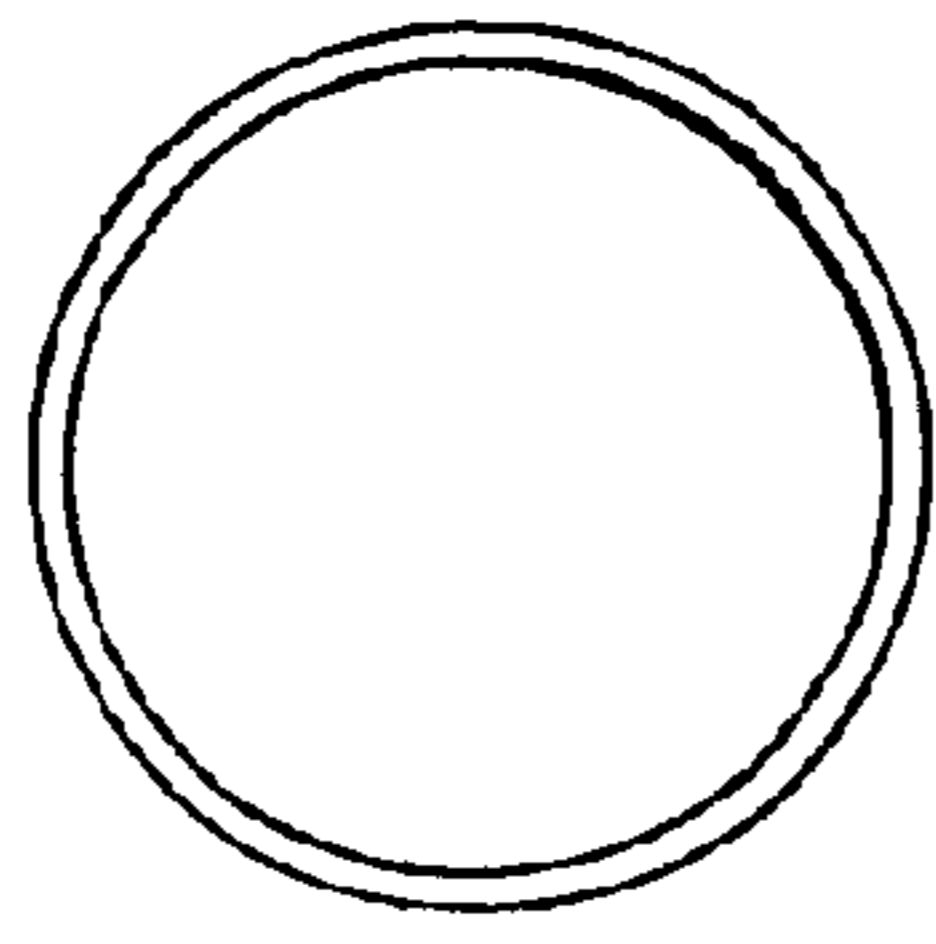
FIG. 5



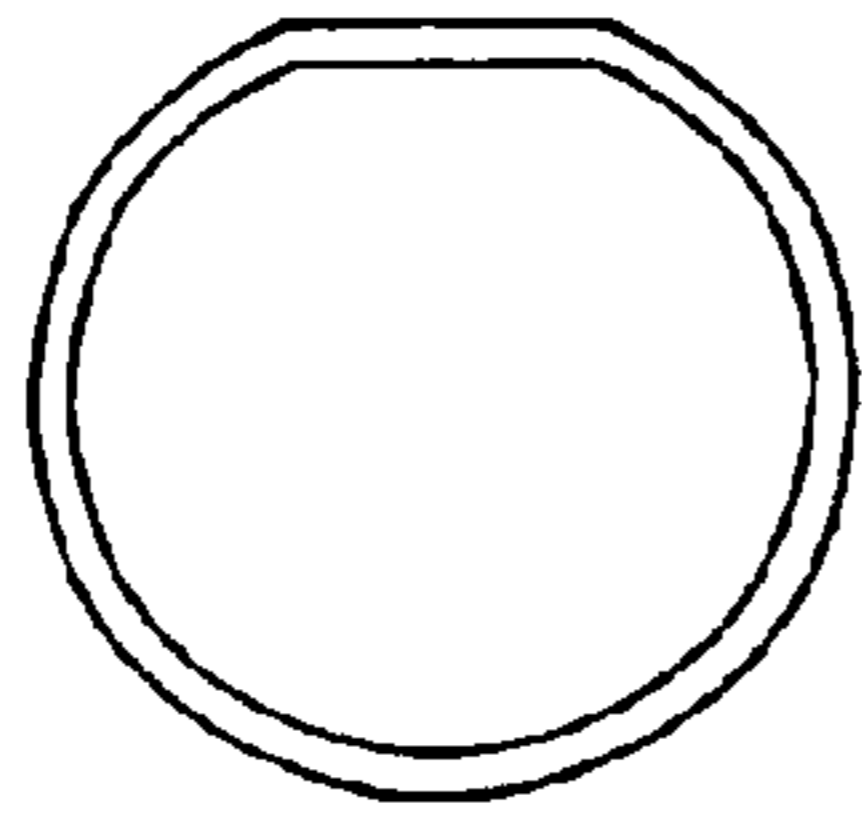
FIG. 6



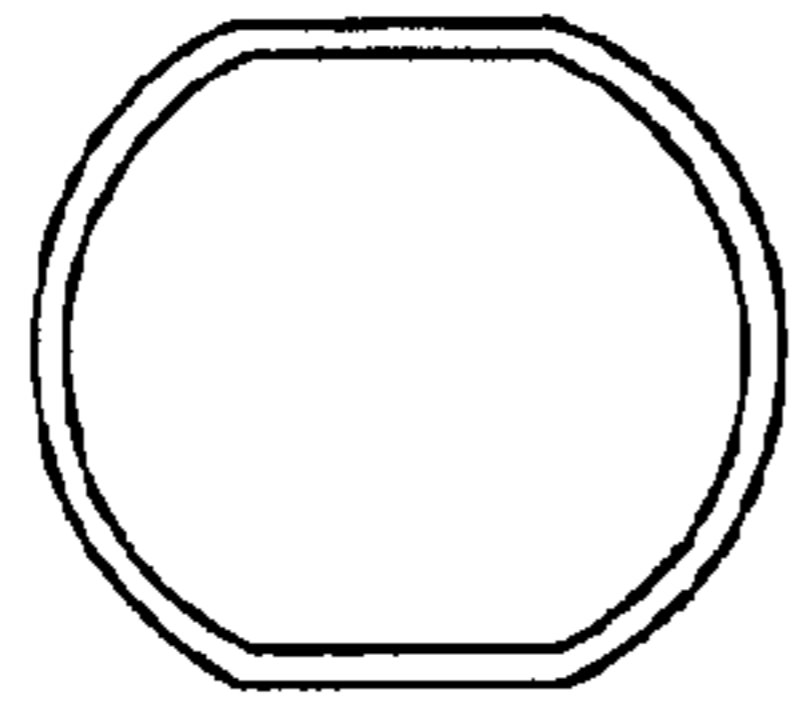
FIG. 7



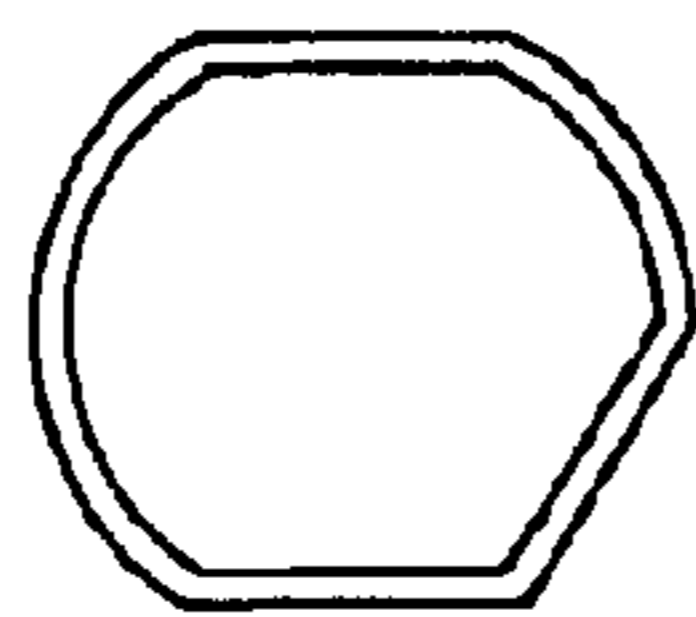
G



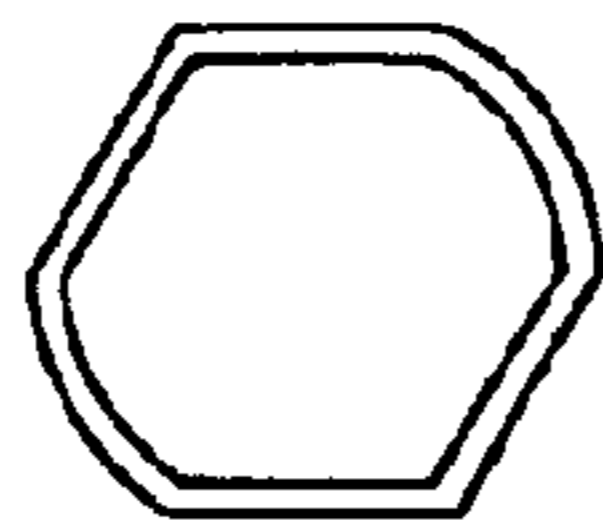
F



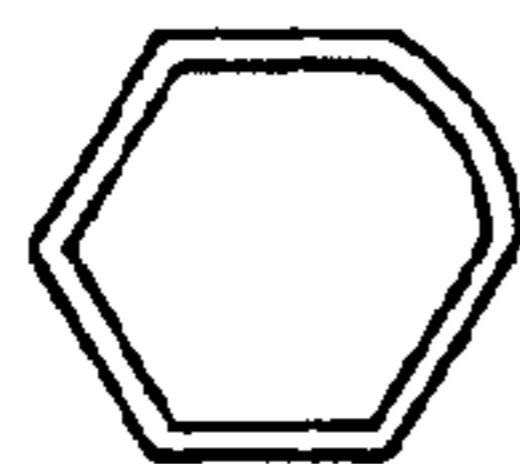
E



D



C



B



A

FIG. 8