

US00D503024S

(12) **United States Design Patent**
Perella et al.

(10) **Patent No.:** **US D503,024 S**
(45) **Date of Patent:** **** Mar. 15, 2005**

(54) **SECURITY BOX**

(75) Inventors: **Daniel Perella**, Hudson, OH (US);
Anthony DeCarlo, Bay Village, OH
(US); **Vincent Thomson**, Avon Lake,
OH (US)

(73) Assignee: **IdeaStream Consumer Products LLC**,
Parma, OH (US)

(**) Term: **14 Years**

(21) Appl. No.: **29/203,509**

(22) Filed: **Apr. 16, 2004**

Related U.S. Application Data

(62) Division of application No. 29/180,361, filed on Apr. 23,
2003, now Pat. No. Des. 490,206.

(51) **LOC (7) Cl.** **99-00**

(52) **U.S. Cl.** **D99/28**

(58) **Field of Search** D99/28, 34, 35,
D99/36, 43; D3/263, 267, 268, 272, 276,
281, 294, 900; D6/448; 190/37, 28, 109,
124, 115; 232/4 R

(56) **References Cited**

U.S. PATENT DOCUMENTS

D67,730 S	*	6/1925	Wheary	D3/272
1,767,143 A	*	6/1930	La Duke	190/28
D129,108 S	*	8/1941	Sprague	D3/268
D160,949 S	*	11/1950	Knell	D3/275
2,626,025 A	*	1/1953	Sherman	190/37
D202,160 S	*	8/1965	Territo	D3/284
D247,993 S	*	5/1978	Calzone, III	D3/204

4,669,587 A	*	6/1987	Zitt	190/109
D314,666 S		2/1991	Lanius		
D393,526 S		4/1998	Robey et al.		
D414,037 S		9/1999	Akaike et al.		
D415,614 S	*	10/1999	Akaike et al.	D3/276
D419,766 S	*	2/2000	Rekuc	D3/272
D497,252 S	*	10/2004	Perella et al.	D3/294

* cited by examiner

Primary Examiner—Paula A. Greene

(74) *Attorney, Agent, or Firm*—Pillsbury Winthrop LLP

(57) **CLAIM**

The ornamental design for a security box, as shown and described.

DESCRIPTION

A portion of the disclosure of this patent document contains material to which a claim for copyright is made. The copyright owner has no objection to the facsimile reproduction of the patent document or the patent disclosure, as it appears in the Patent and Trademark Office patent file or records, but reserves all other copyrights whatsoever.

FIG. 1 is a perspective view of a security box embodying one aspect of our new design;

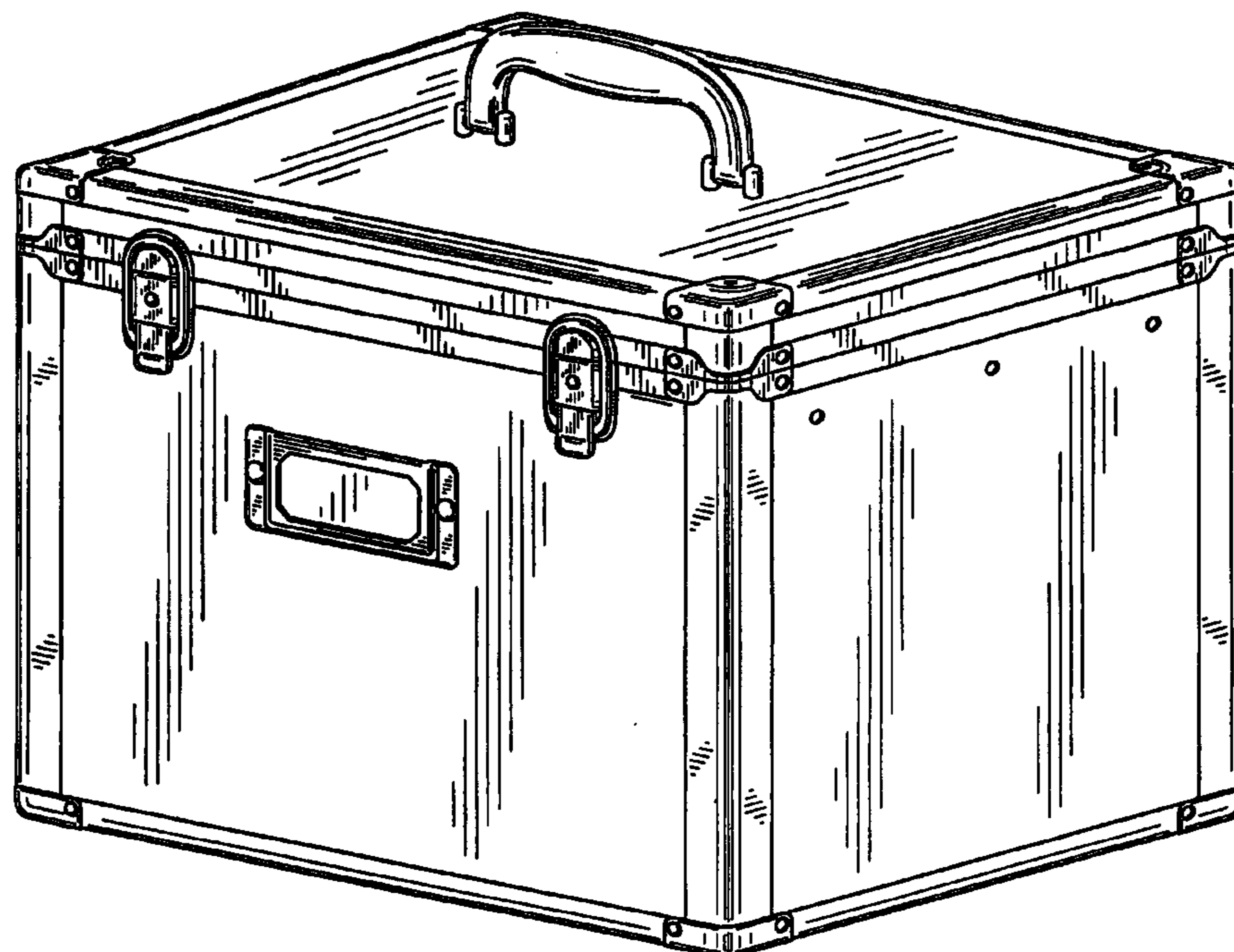
FIG. 2 is a front elevational view of the security box of FIG. 1;

FIG. 3 is a rear elevational view of the security box of FIG. 1;

FIG. 4 is a left side profile view of the security box of FIG. 1, it being understood that the right side profile view is a substantial mirror image; and,

FIG. 5 is a top plan view of the security box of FIG. 1.

1 Claim, 5 Drawing Sheets



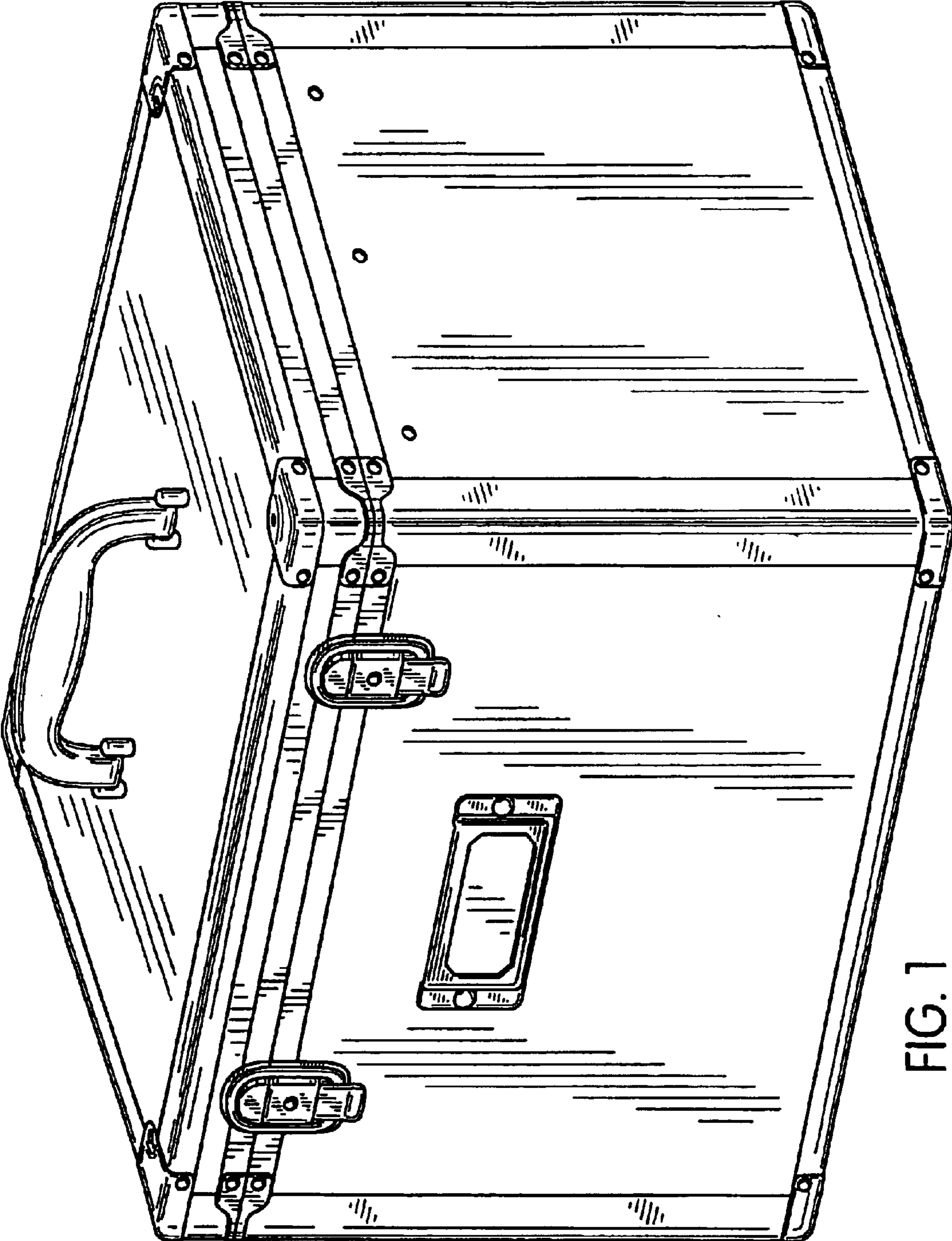


FIG. 1

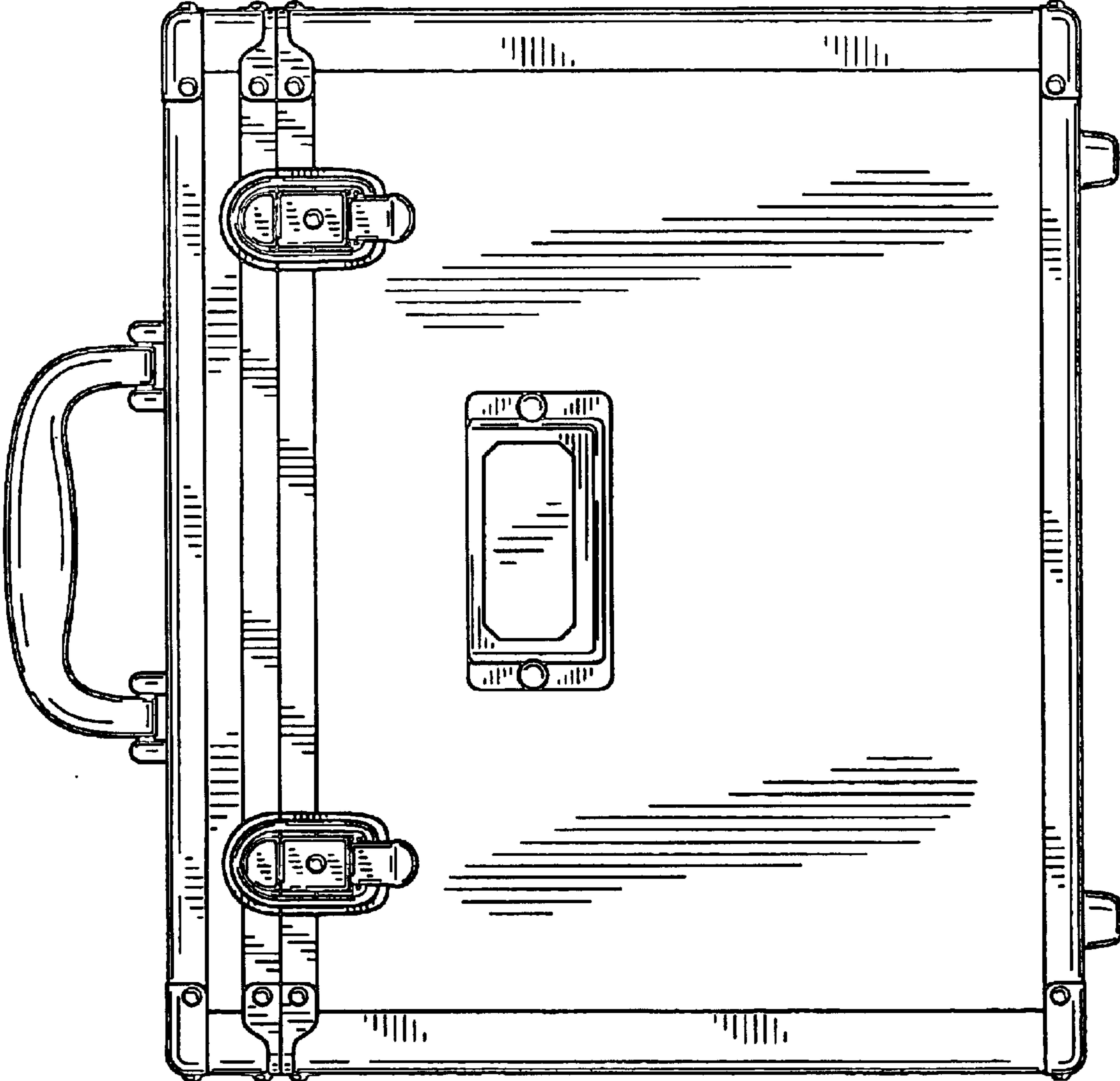


FIG. 2

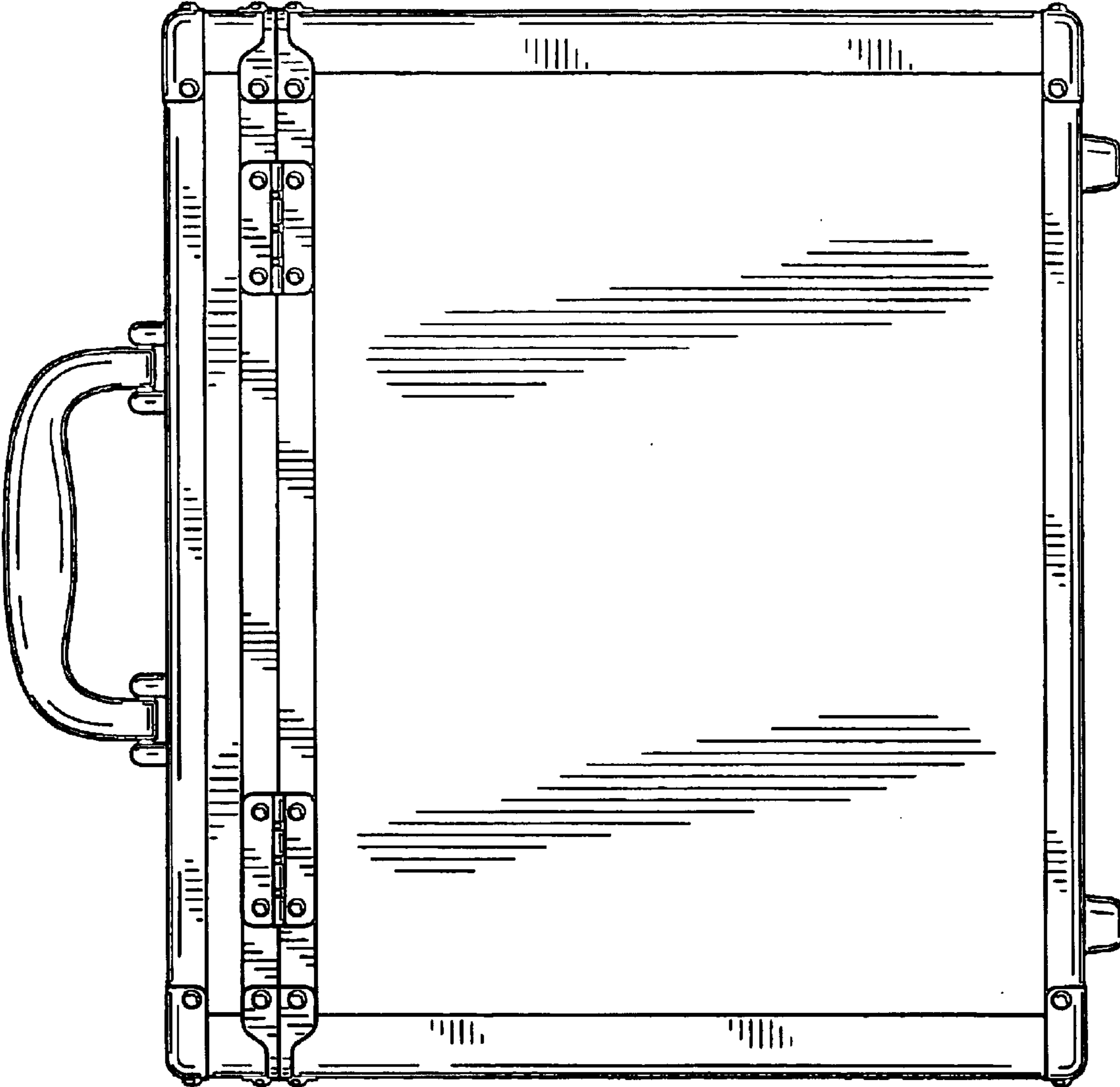


FIG. 3

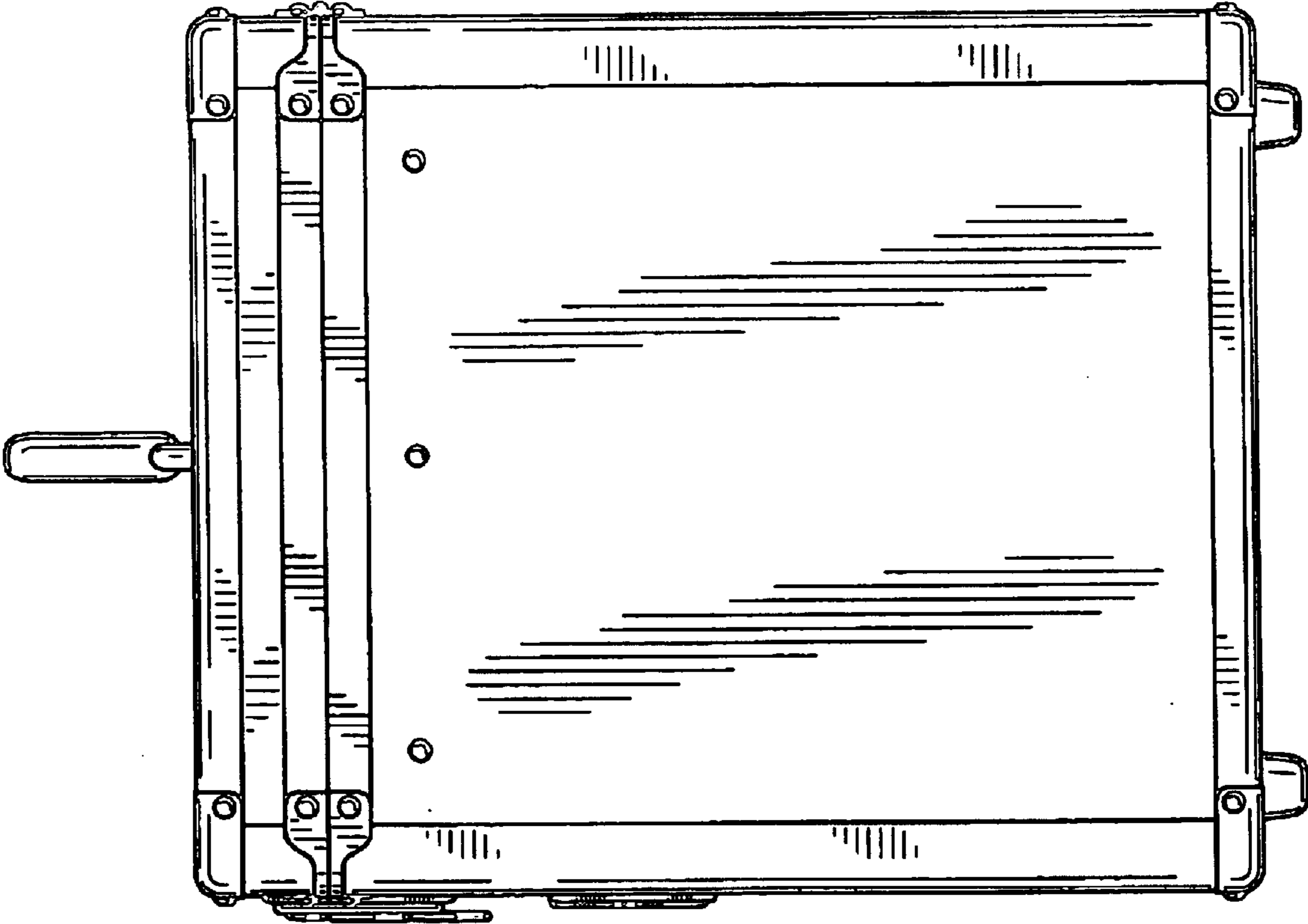


FIG. 4

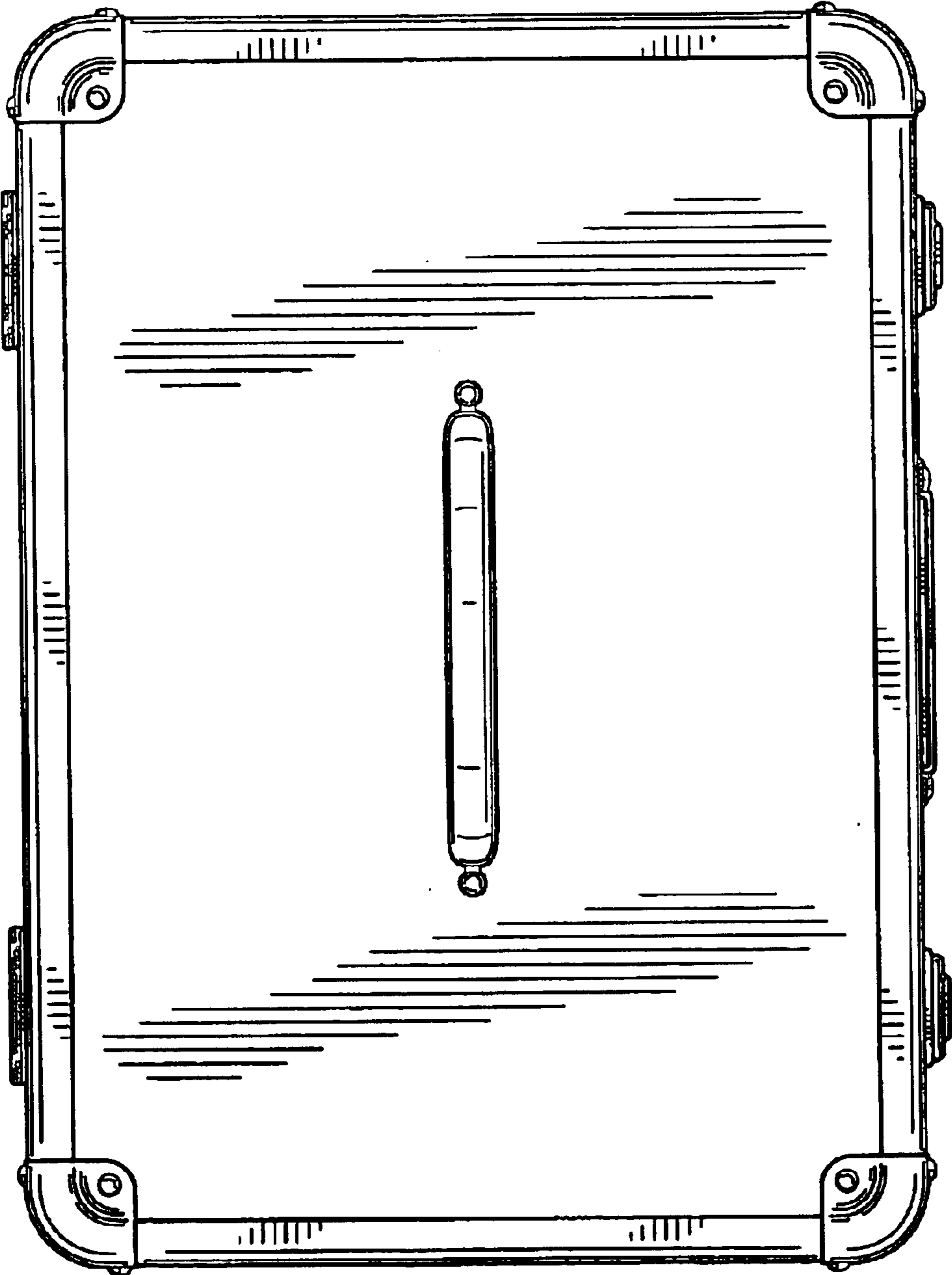


FIG. 5