

US00D503019S

(12) **United States Design Patent**
Swift et al.

(10) **Patent No.:** **US D503,019 S**
(45) **Date of Patent:** **** Mar. 15, 2005**

(54) **BIRD FEEDER**

6,546,894 B2 4/2003 Chrisco et al.
6,581,540 B1 6/2003 La Vanish

(75) Inventors: **David W. Swift**, Lititz, PA (US);
Edward J. Holliday, Hummelstown,
PA (US); **Christopher T. Rich**, Leola,
PA (US)

OTHER PUBLICATIONS

Gardensong Feeders, Coach Lamp Bird Feeder No. 469–6
and Carriage Lamp Bird Feeder No. 470–6, p. 11.
Terra Cotta, Bird Feeders No. 4101–4 and 4106–4, p. 14.
Top Flight Lifetime Feeders, Fortress Squirrel Proof Bird
Feeder, 5108, 1997.
Top Flight Lifetime Feeders, Fortress Triple Tube Bird
Feeder No. 5124–2, Bird Feeder No. 5101–4 and Finch
Feeder No. 5102–4, 5108.

(73) Assignee: **Woodstream Corporation**, Lititz, PA
(US)

(**) Term: **14 Years**

* cited by examiner

(21) Appl. No.: **29/192,001**

(22) Filed: **Oct. 20, 2003**

Primary Examiner—Pamela Burgess

(51) **LOC (7) Cl.** **30-03**

(74) *Attorney, Agent, or Firm*—Jacobson Holman PLLC

(52) **U.S. Cl.** **D30/127**

(58) **Field of Search** D30/124, 127–128,
D30/121–123; 119/57.9, 52.2, 57.8, 459

(57) **CLAIM**

The design for a bird feeder, as shown and described.

(56) **References Cited**

DESCRIPTION

U.S. PATENT DOCUMENTS

2,707,454	A	5/1955	Wilkinson	
3,645,235	A	2/1972	Suchla	
4,246,869	A	1/1981	Tobin, Jr.	
4,327,669	A	5/1982	Blasbalg	
D267,355	S	* 12/1982	Blasbalg D30/127
4,632,061	A	12/1986	Tucker et al.	
5,033,411	A	7/1991	Brucker	
D324,436	S	* 3/1992	Embree D30/127
5,183,005	A	2/1993	Tyler	
D335,006	S	* 4/1993	Blasbalg D30/127
5,291,855	A	3/1994	Laverty	
D352,575	S	* 11/1994	Bransky et al. D30/127
5,558,040	A	9/1996	Colwell et al.	
5,791,286	A	8/1998	Taussig et al.	
5,893,335	A	* 4/1999	Goodwin 119/52.2
5,970,913	A	10/1999	Bloedorn	
6,360,690	B1	3/2002	Canby	
6,481,375	B1	11/2002	Scalf	

FIG. 1 is a front perspective view of a bird feeder showing our new design;
FIG. 2 is a front view thereof;
FIG. 3 is a left side elevational view thereof;
FIG. 4 is a top plan view thereof;
FIG. 5 is a bottom plan view thereof;
FIG. 6 is a rear view thereof;
FIG. 7 is a side elevational view thereof, with a portion of the tray broken away for clarity of disclosure; and,
FIG. 8 is a right side elevational view thereof.
The dotted line portions of the bird feeder are illustrative only and do not form a part of the design of the instant invention.
The broken lines shown in the drawings are for illustrative purposes only and form no part of the claimed design.

1 Claim, 5 Drawing Sheets

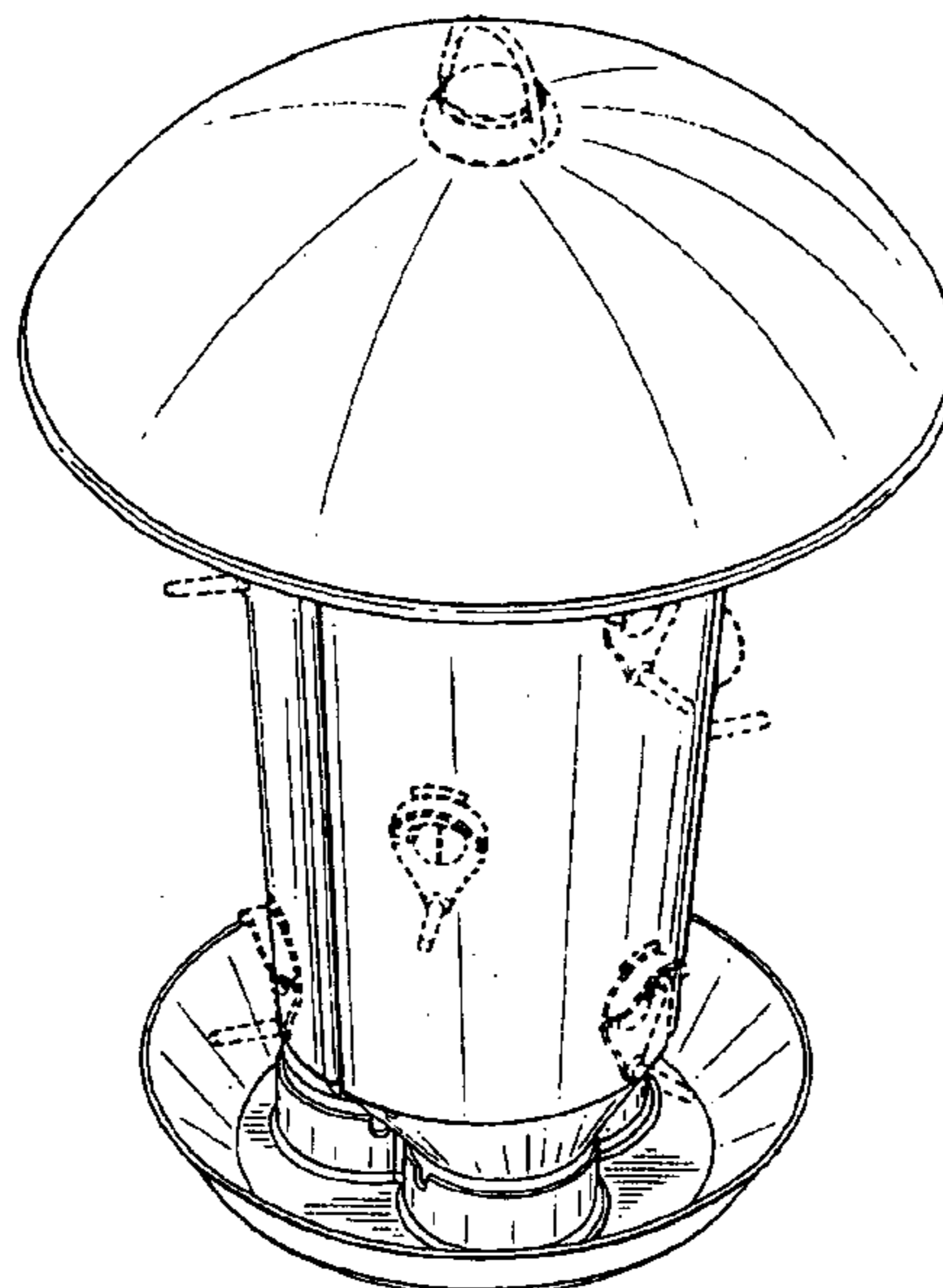


FIG. 1

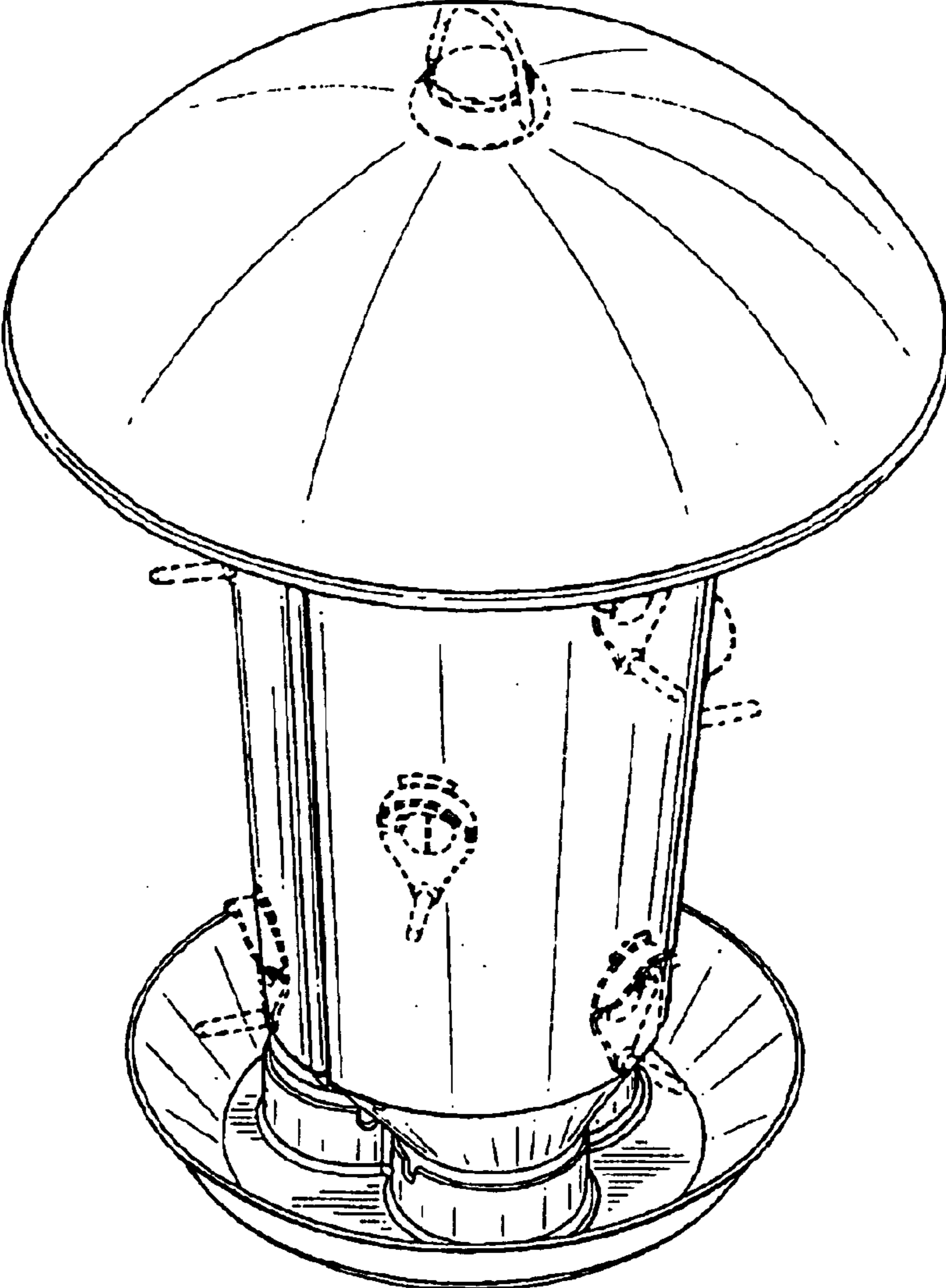


FIG.2

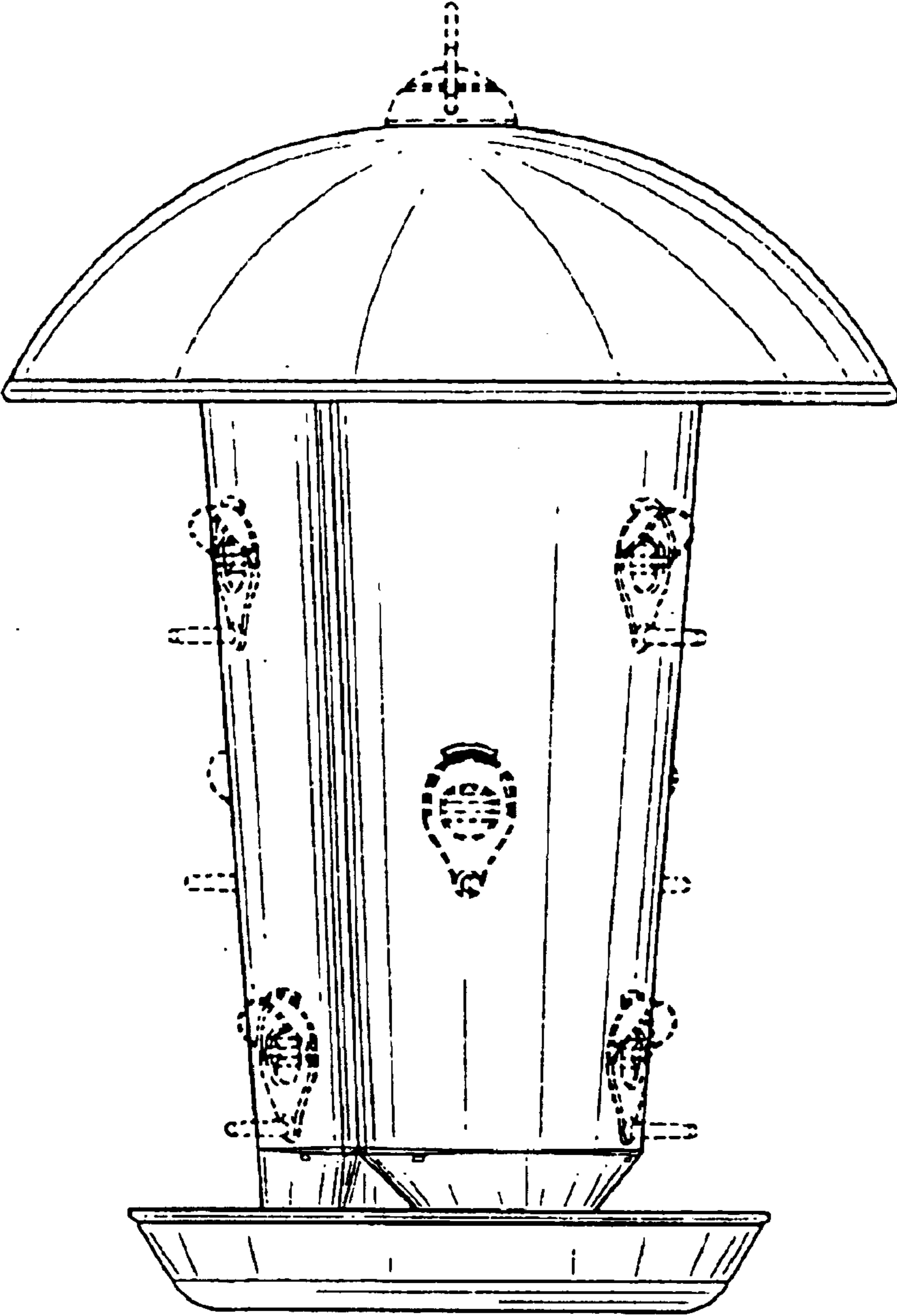


FIG. 8

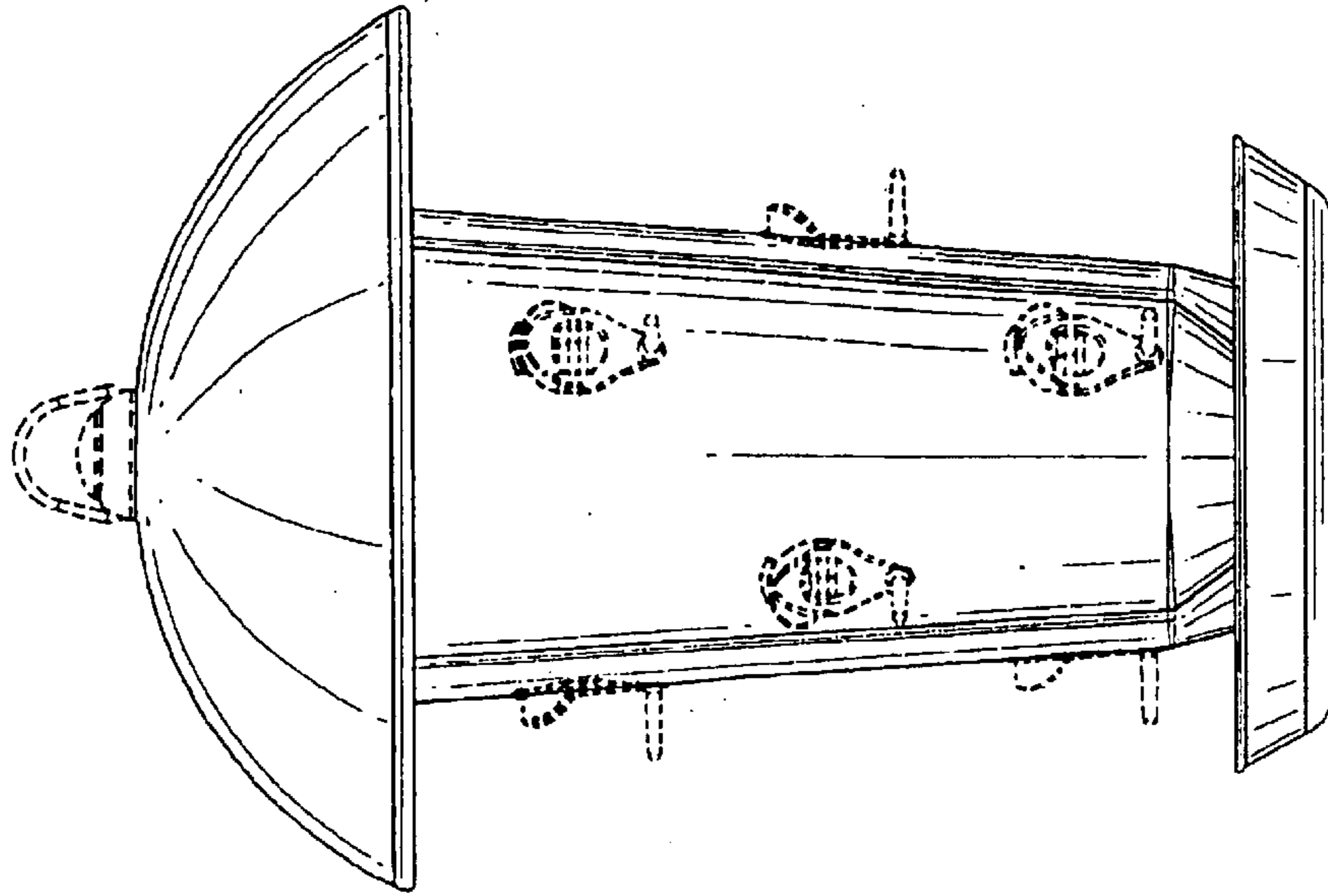


FIG. 3

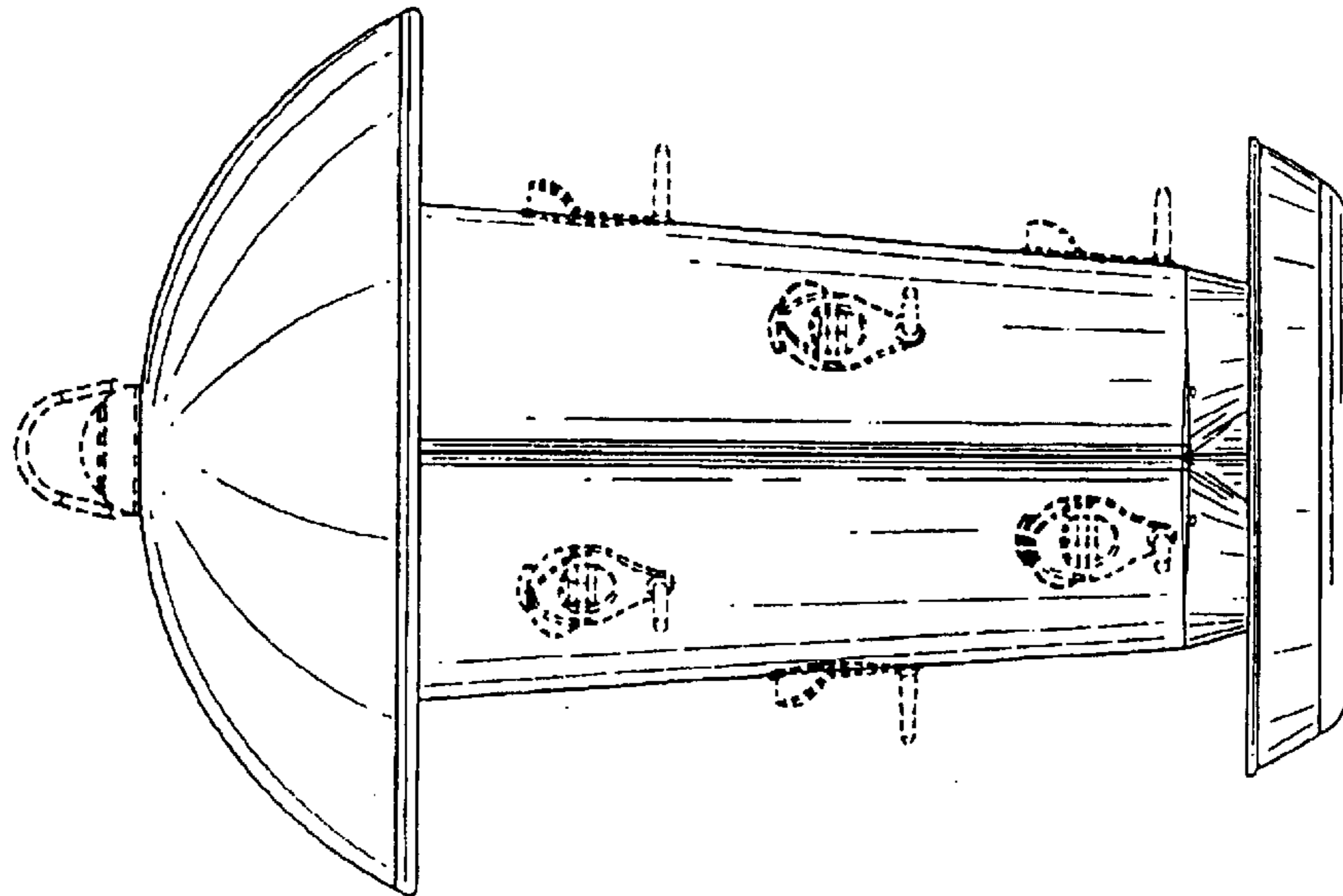


FIG.4

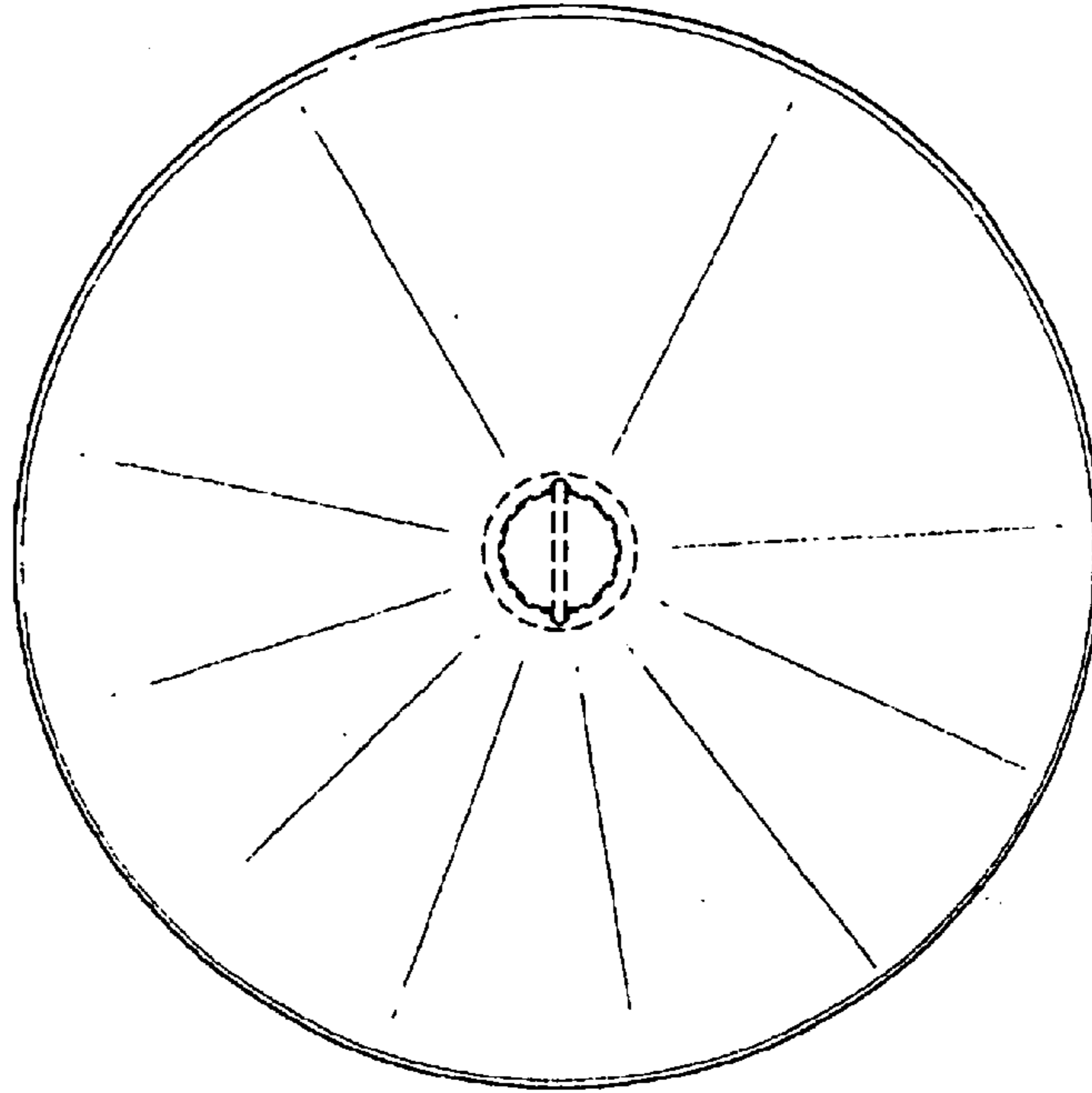
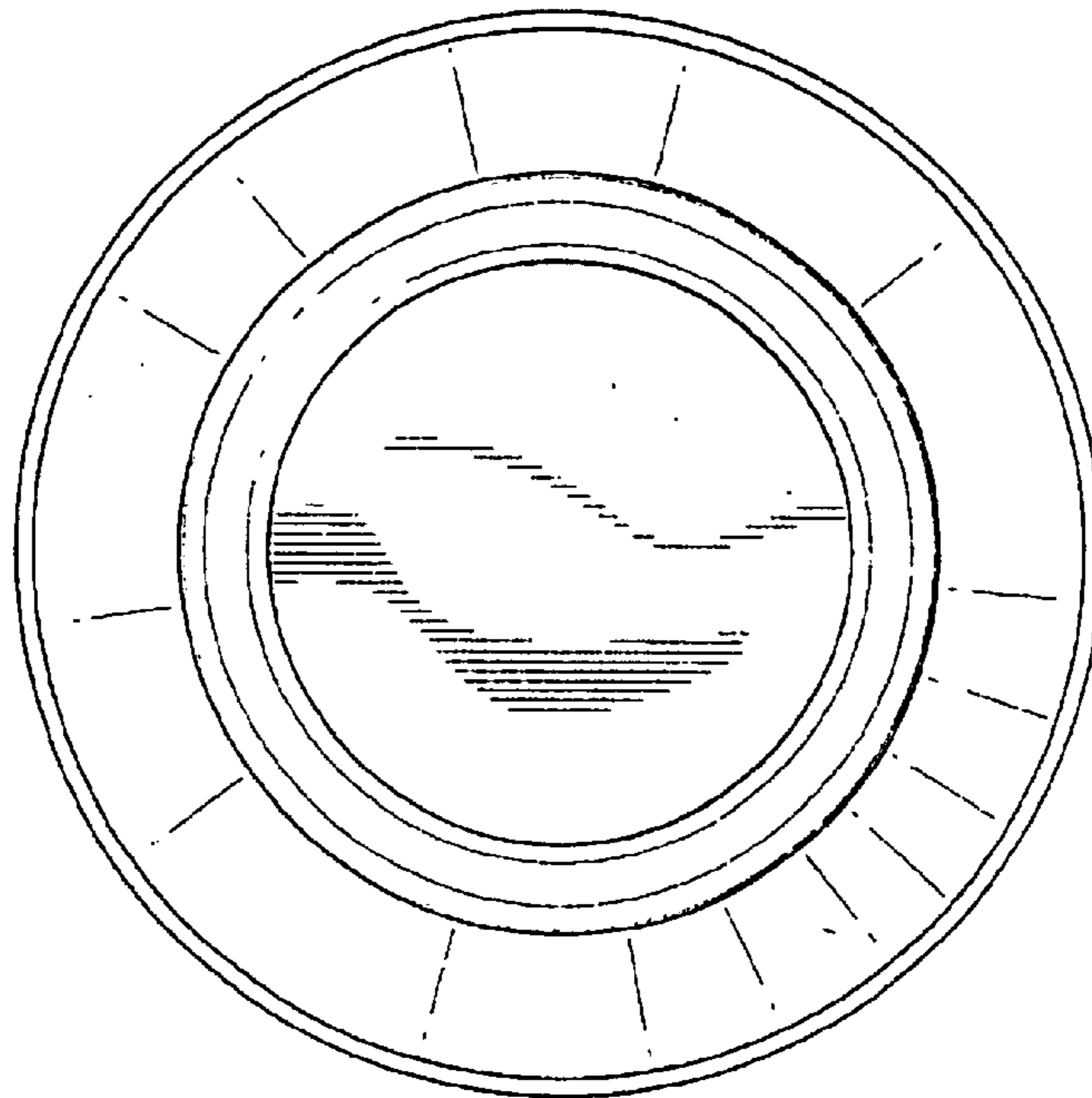


FIG.5



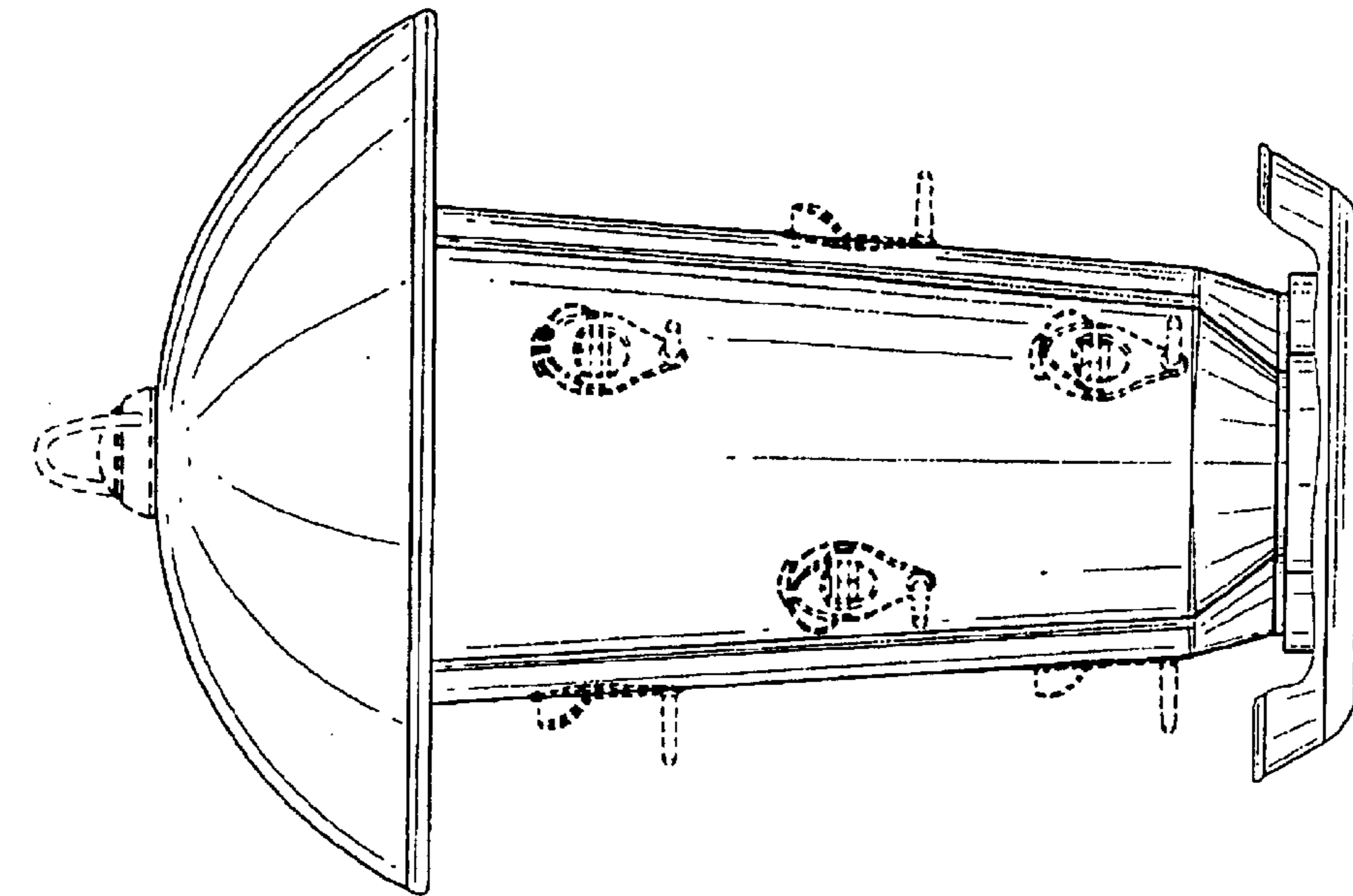


FIG.6

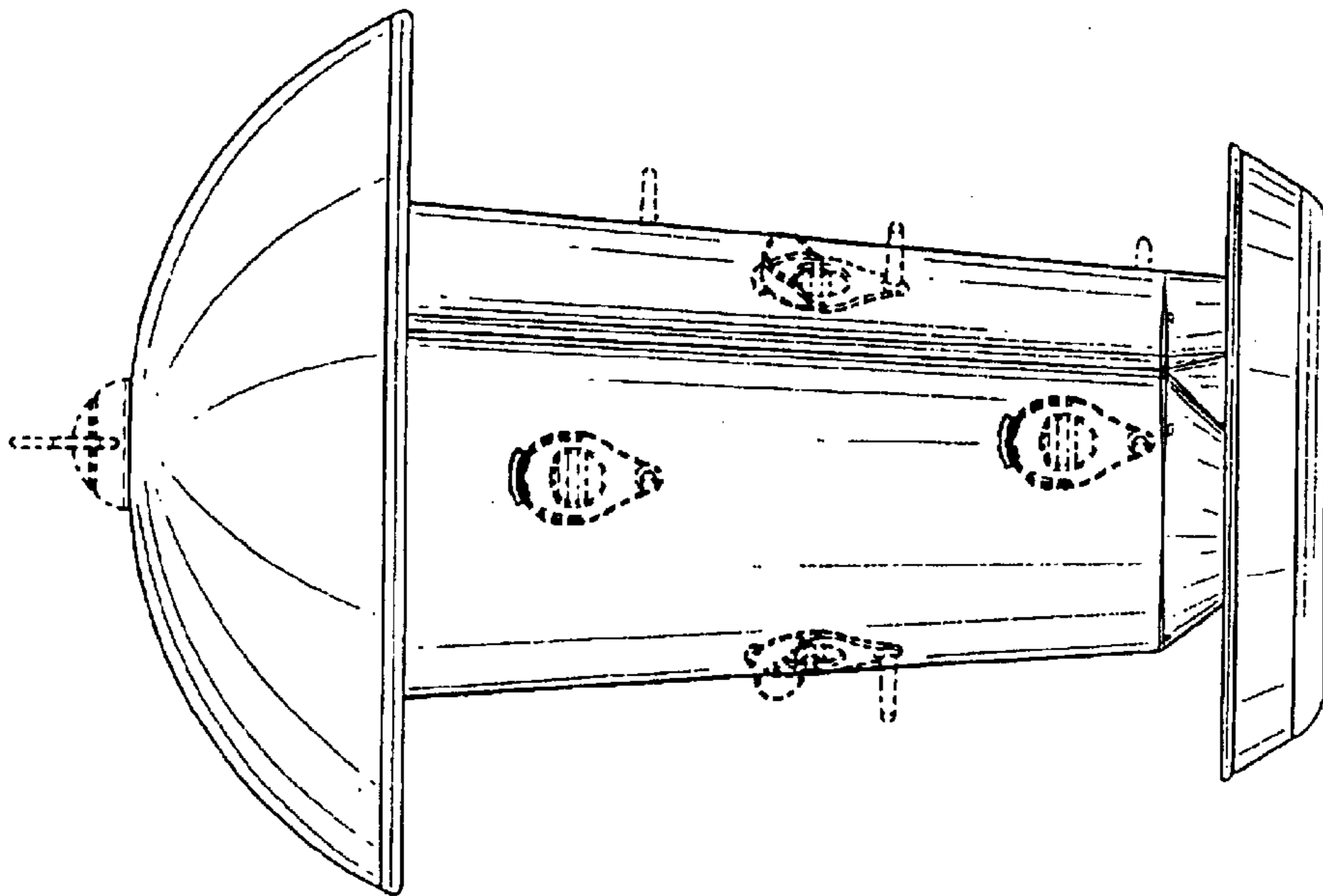


FIG.7