

US00D503009S

(12) **United States Design Patent**
Salman

(10) **Patent No.:** **US D503,009 S**
(45) **Date of Patent:** **** Mar. 15, 2005**

(54) **LIGHTING FIXTURE HANGER**

(75) Inventor: **Utkan Salman**, Oakland, CA (US)
(73) Assignee: **Acuity Brands, Inc.**, Atlanta, GA (US)
(**) Term: **14 Years**

(21) Appl. No.: **29/194,690**
(22) Filed: **Nov. 26, 2003**

(51) **LOC (7) Cl.** **26-99**
(52) **U.S. Cl.** **D26/138; D23/266**
(58) **Field of Search** **D26/76, 77, 81,**
D26/86, 138; 362/147, 225, 403, 58, 317;
D23/266; D25/122, 126; 138/118, 119,
177, DIG. 11; 367/175

(56) **References Cited**

U.S. PATENT DOCUMENTS

1,638,428	A	*	8/1927	Zander	138/177
2,261,912	A	*	11/1941	Buente	138/177
4,384,351	A	*	5/1983	Pagliarini et al.	367/175
5,126,979	A	*	6/1992	Rowe et al.	367/175
6,029,711	A	*	2/2000	Koch et al.	138/118
6,135,615	A	*	10/2000	Lee	362/147

OTHER PUBLICATIONS

TrueGrid Product Brochure, Peerless Lighting Corp., 1994.

* cited by examiner

Primary Examiner—Jennifer Rivard

(74) *Attorney, Agent, or Firm*—Donald L. Beeson

(57) **CLAIM**

The ornamental design for a lighting fixture hanger, as shown and described.

DESCRIPTION

FIG. 1 is a bottom perspective view of a lighting fixture hanger showing my new design;

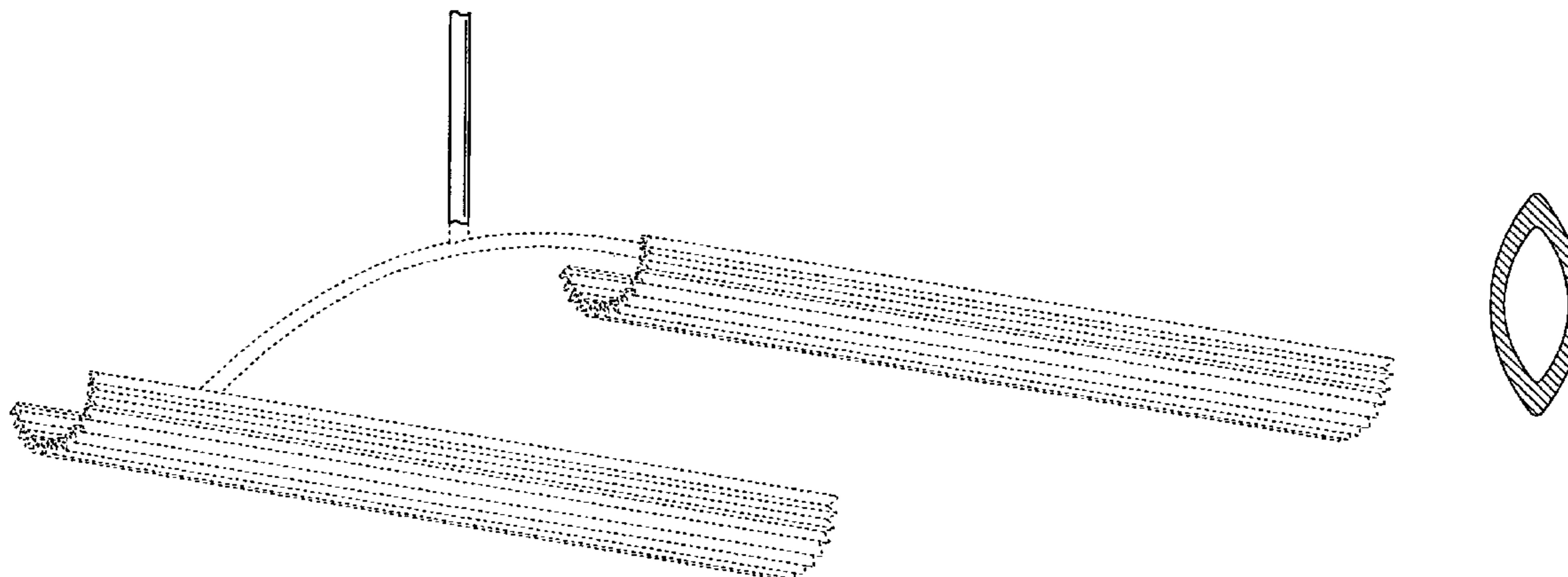
FIG. 2 is a front elevational view thereof, the rear being a mirror image;

FIG. 3 is a cross-sectional view thereof taken along lines 3—3 in FIG. 2; and,

FIG. 4 is a side elevational view thereof, the other side being a mirror image.

FIGS. 1, 2 and 4 are broken away to indicate indeterminate length. The broken lines are shown in FIGS. 1, 2 and 4 for illustrative purposes only and indicate the nature and use of my new design; they form no part of my claimed design.

1 Claim, 3 Drawing Sheets



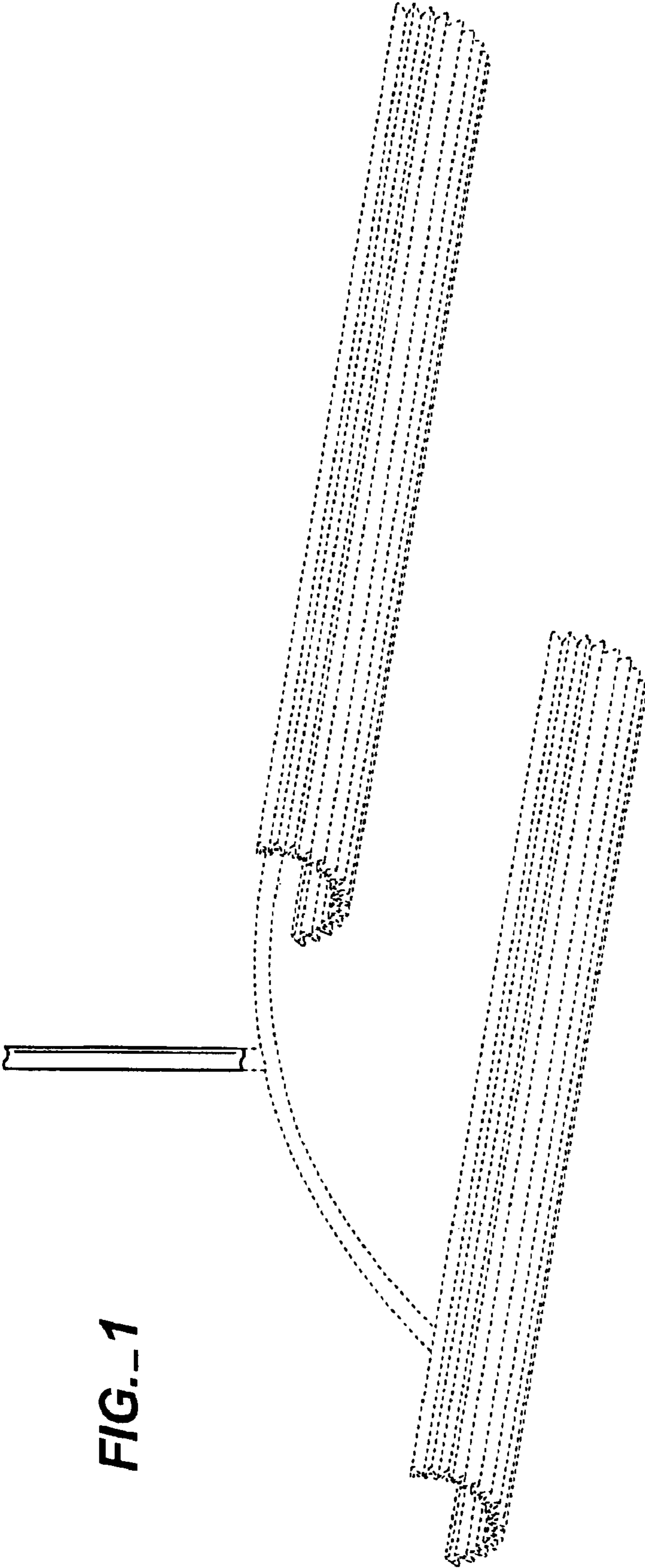


FIG. 1

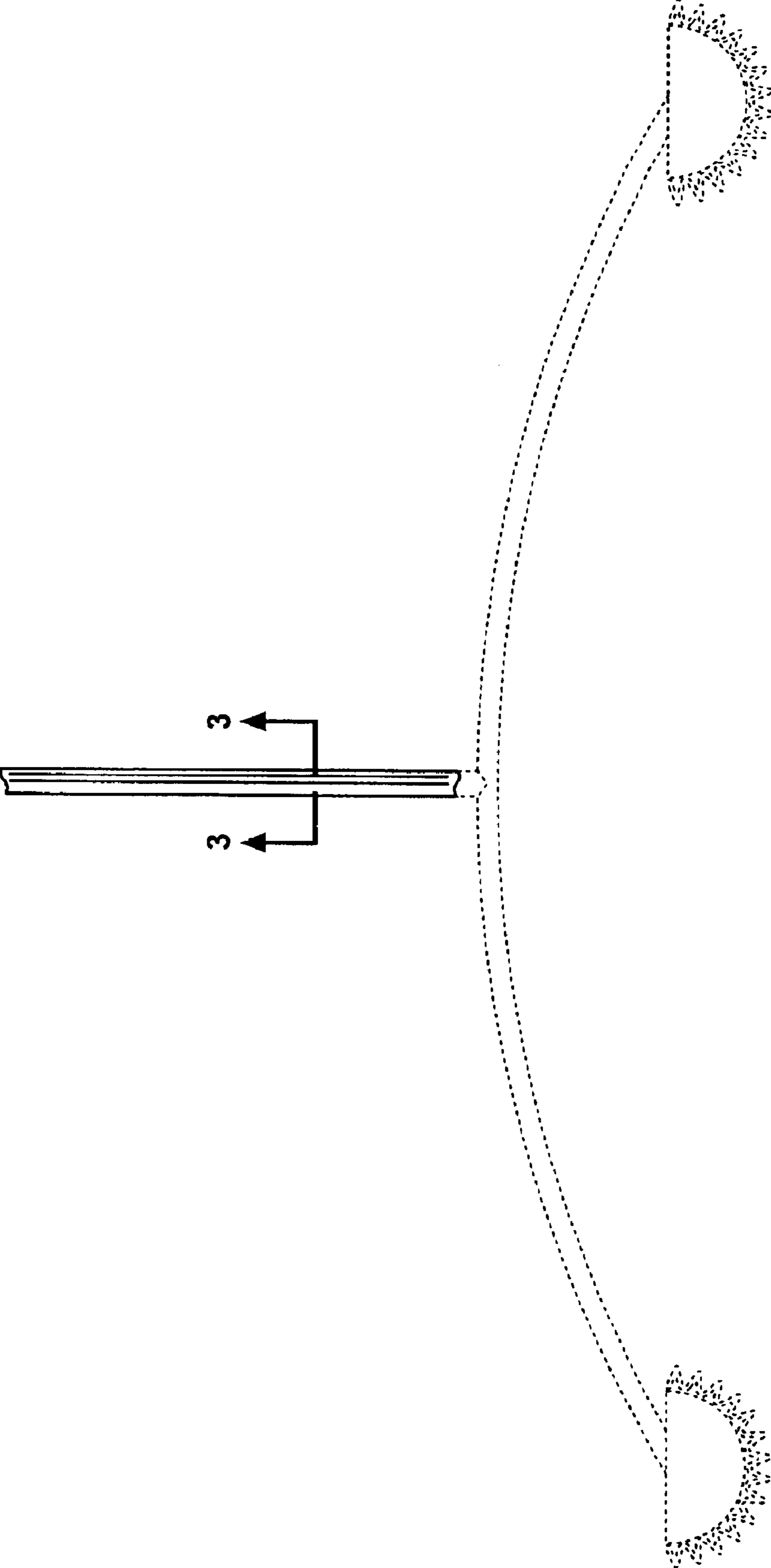


FIG.--2

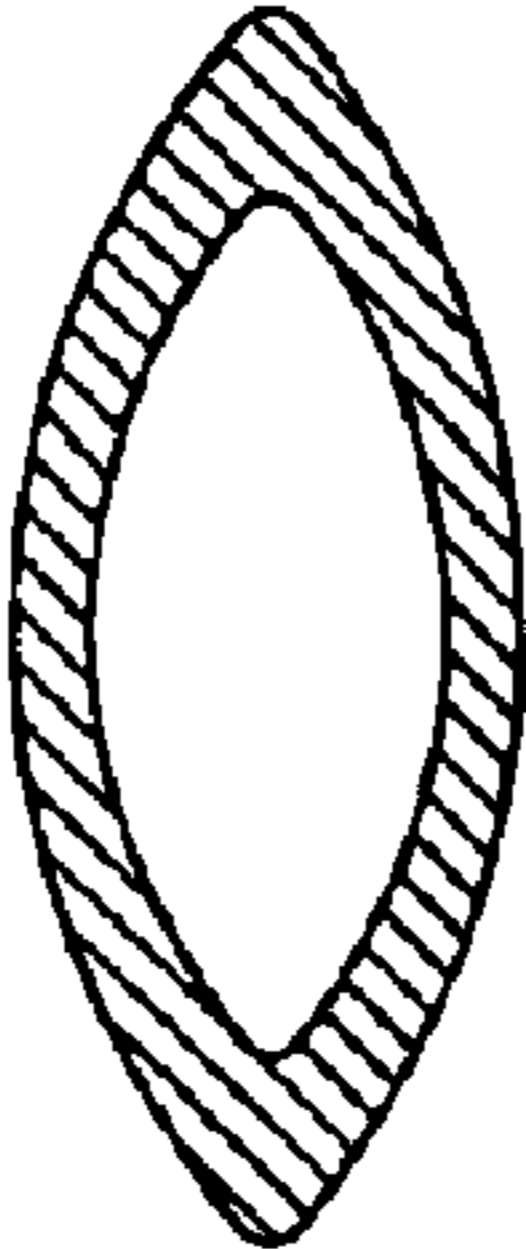


FIG._3



FIG._4

